



US00D943197S

(12) **United States Design Patent** (10) **Patent No.:** **US D943,197 S**
Gerhards (45) **Date of Patent:** **** Feb. 8, 2022**

- (54) **TABLET**
- (71) Applicant: **Henkel AG & Co. KGaA**, Duesseldorf (DE)
- (72) Inventor: **Katja Gerhards**, Duesseldorf (DE)
- (73) Assignee: **Henkel AG & Co. KGaA**, Duesseldorf (DE)
- (**) Term: **15 Years**
- (21) Appl. No.: **29/773,334**
- (22) Filed: **Mar. 9, 2021**

D566,893	S	*	4/2008	McCarthy	D28/8.1
D612,478	S	*	3/2010	Karolak	D24/101
8,168,581	B2	*	5/2012	Wiedemann	C11D 17/0078
						510/446
D681,271	S	*	4/2013	Davis	D28/8.1
D681,272	S	*	4/2013	Davis	D28/8.1
D687,182	S	*	7/2013	Gordon	D28/8.1
D768,923	S	*	10/2016	Dietvorst	D28/8.1
D812,812	S	*	3/2018	Zuckerman	D28/8.1
D814,015	S	*	3/2018	Heineck	D24/101
D814,108	S	*	3/2018	Zuckerman	D28/8.1
D821,643	S	*	6/2018	Hartman	D28/8.1
D844,894	S	*	4/2019	Gerhards	D28/8.1
D846,190	S	*	4/2019	Zuckerman	D28/8.1
D846,191	S	*	4/2019	Zuckerman	D28/8.1
D848,061	S	*	5/2019	Zuckerman	D28/8.1
D898,584	S	*	10/2020	Mowbray	D9/707
D913,585	S	*	3/2021	Gerhards	D28/8.1
D921,287	S	*	6/2021	de Boer	D28/8.1
D924,482	S	*	7/2021	Cronk	D28/8.1

Related U.S. Application Data

- (62) Division of application No. 29/680,733, filed on Feb. 19, 2019, now Pat. No. Des. 913,585, which is a division of application No. 29/591,078, filed on Jan. 17, 2017, now Pat. No. Des. 844,894.
- (51) **LOC (13) Cl.** **28-02**
- (52) **U.S. Cl.**
USPC **D28/8.1; D24/101**
- (58) **Field of Classification Search**
USPC D9/421, 424-426, 430-432, 414-416,
D9/428, 702-714, 759; D28/4, 8.1-8.2;
D24/100-104
CPC C11D 17/0065-0095; C11D 17/00-0039;
C11D 17/04-047
See application file for complete search history.

* cited by examiner

Primary Examiner — Jennifer Rivard
(74) *Attorney, Agent, or Firm* — Bojuan Deng

(57) **CLAIM**

The ornamental design for the tablet, as shown and described.

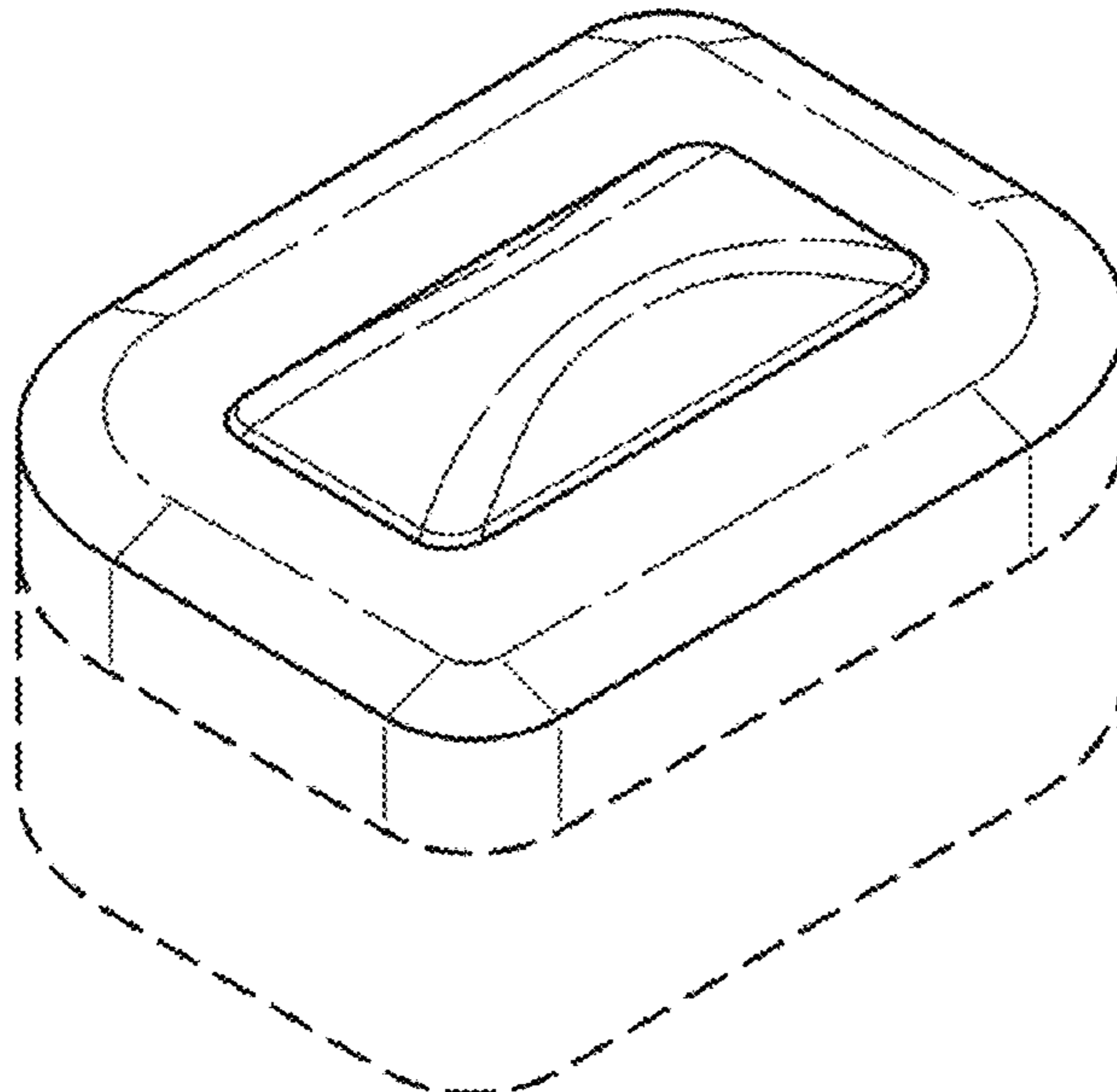
DESCRIPTION

FIG. 1 is a front perspective view of a tablet embodying the new design;
FIG. 2 is a front side elevation view thereof;
FIG. 3 is a rear side elevation view thereof;
FIG. 4 is a right side elevation view thereof;
FIG. 5 is a left side elevation view thereof;
FIG. 6 is a top plan view thereof; and,
FIG. 7 is a bottom plan view thereof.
The broken lines shown in the drawings depict portions of the tablet that form no part of the claimed design.

(56) **References Cited**
U.S. PATENT DOCUMENTS

D260,301	S	*	8/1981	O'Connor	D28/8.1
D347,084	S	*	5/1994	Crawford	D28/8.1
D443,108	S	*	5/2001	Friesenhahn	D28/8.1
7,144,851	B2	*	12/2006	Kosub	C11D 17/0078
						510/446

1 Claim, 3 Drawing Sheets



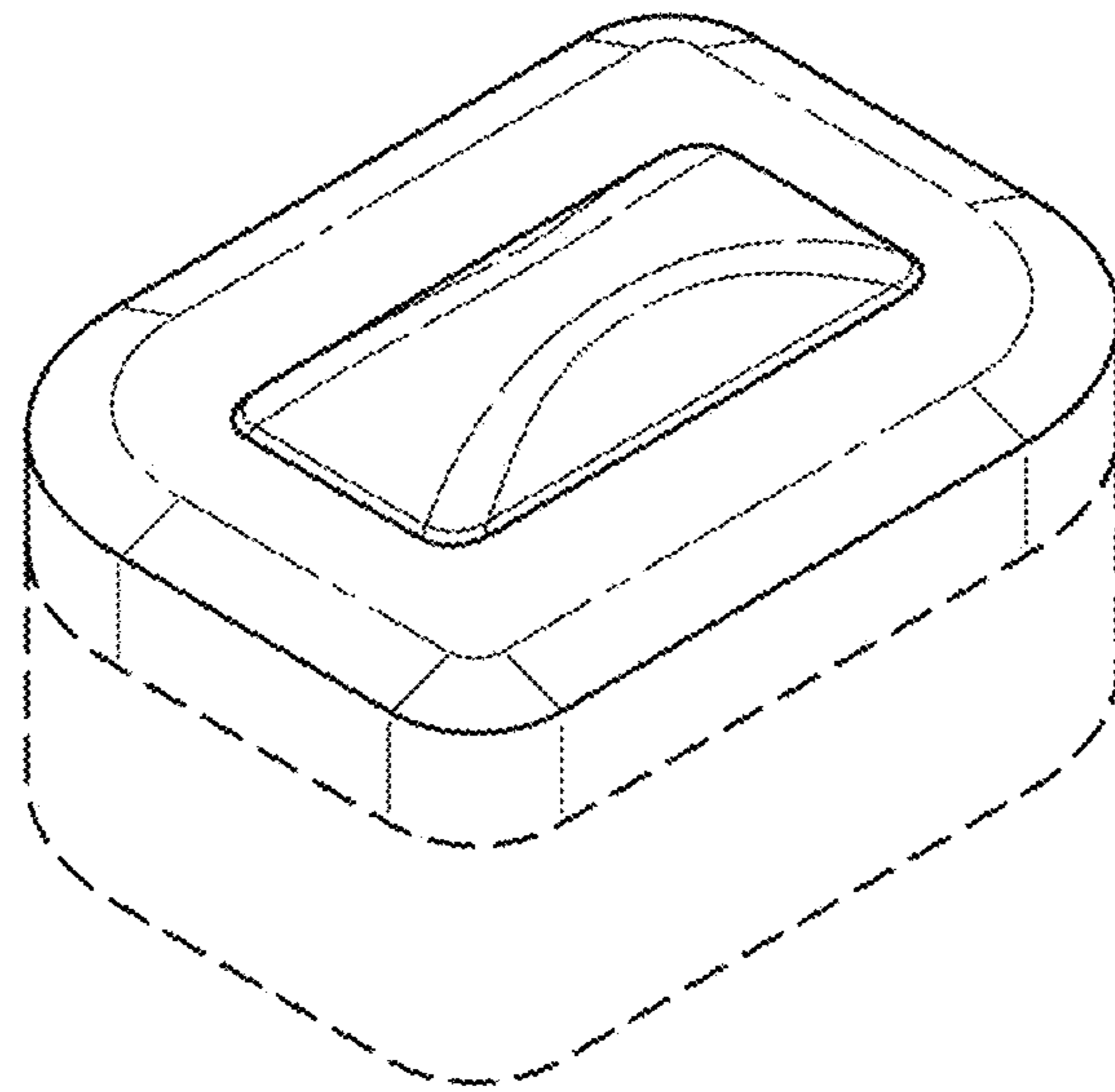


FIG. 1

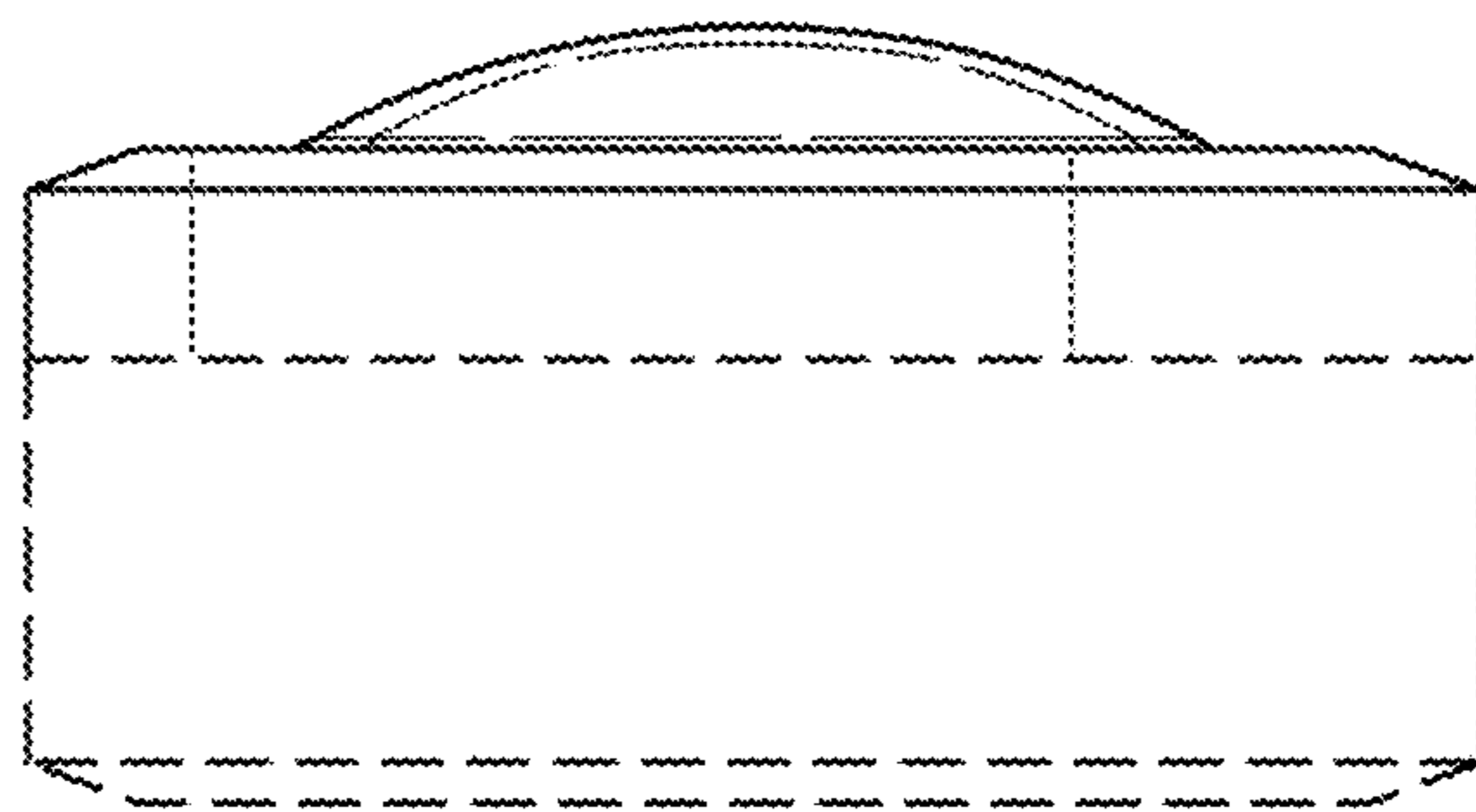


FIG. 2

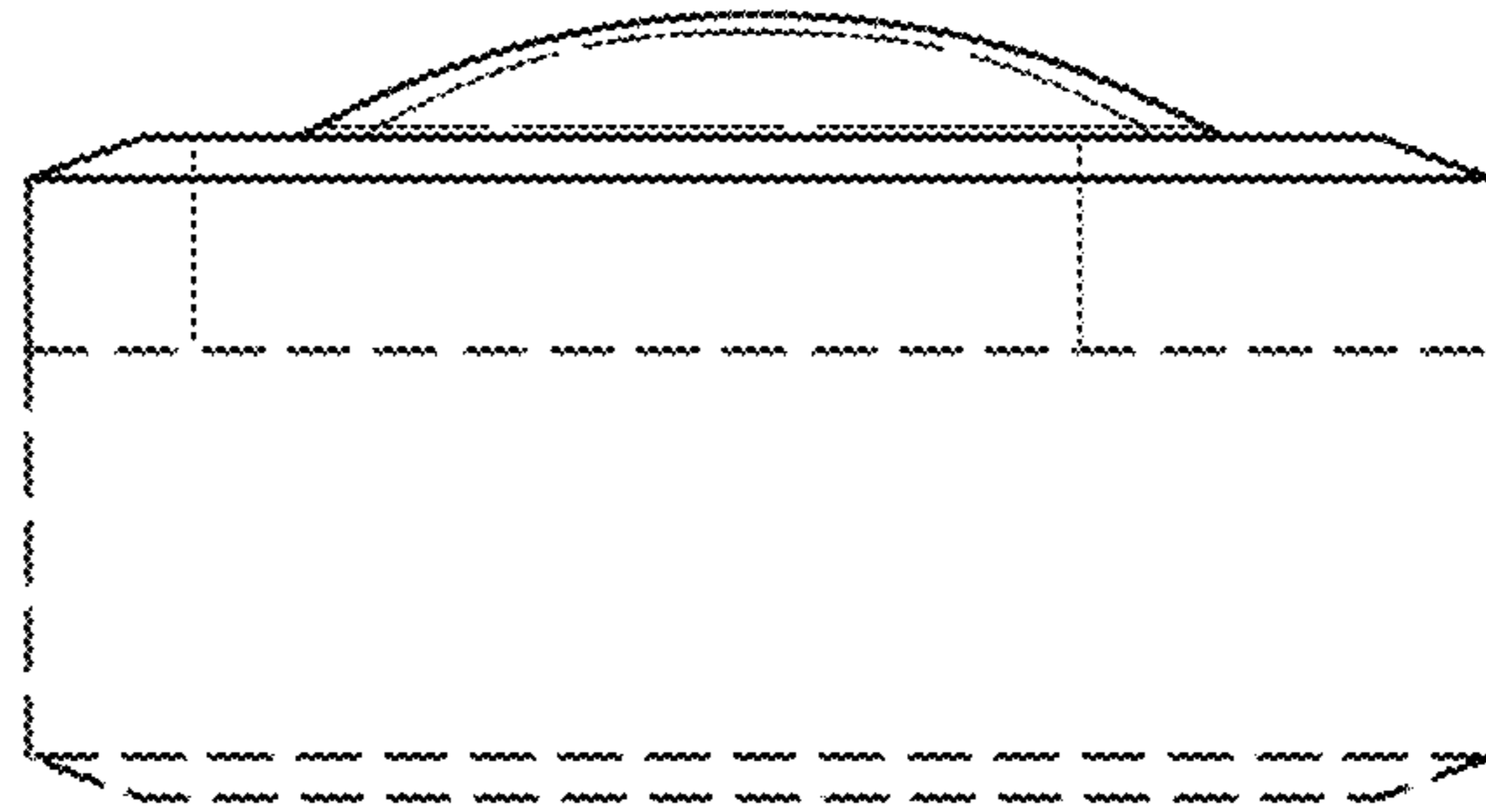


FIG. 3

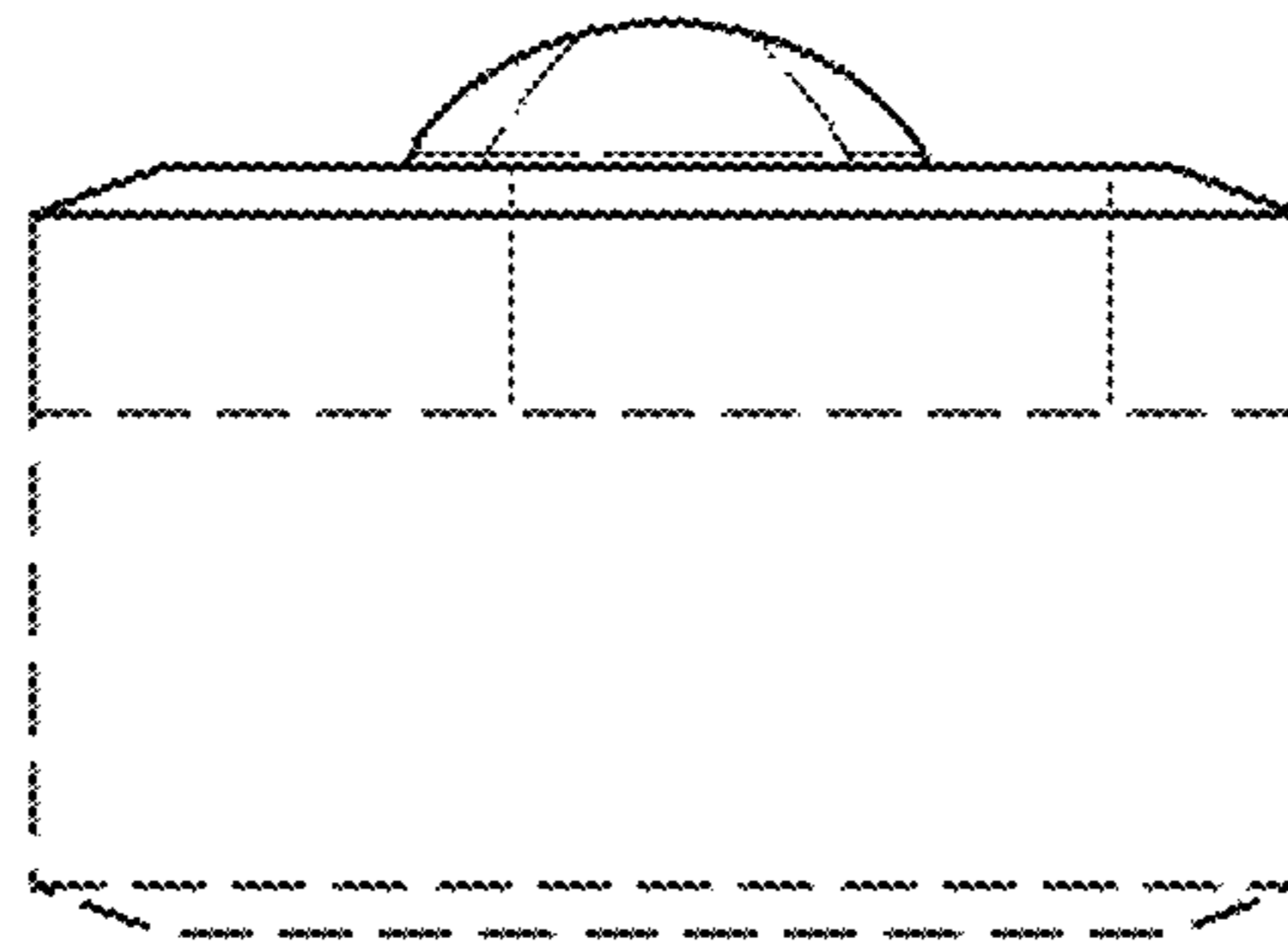


FIG. 4

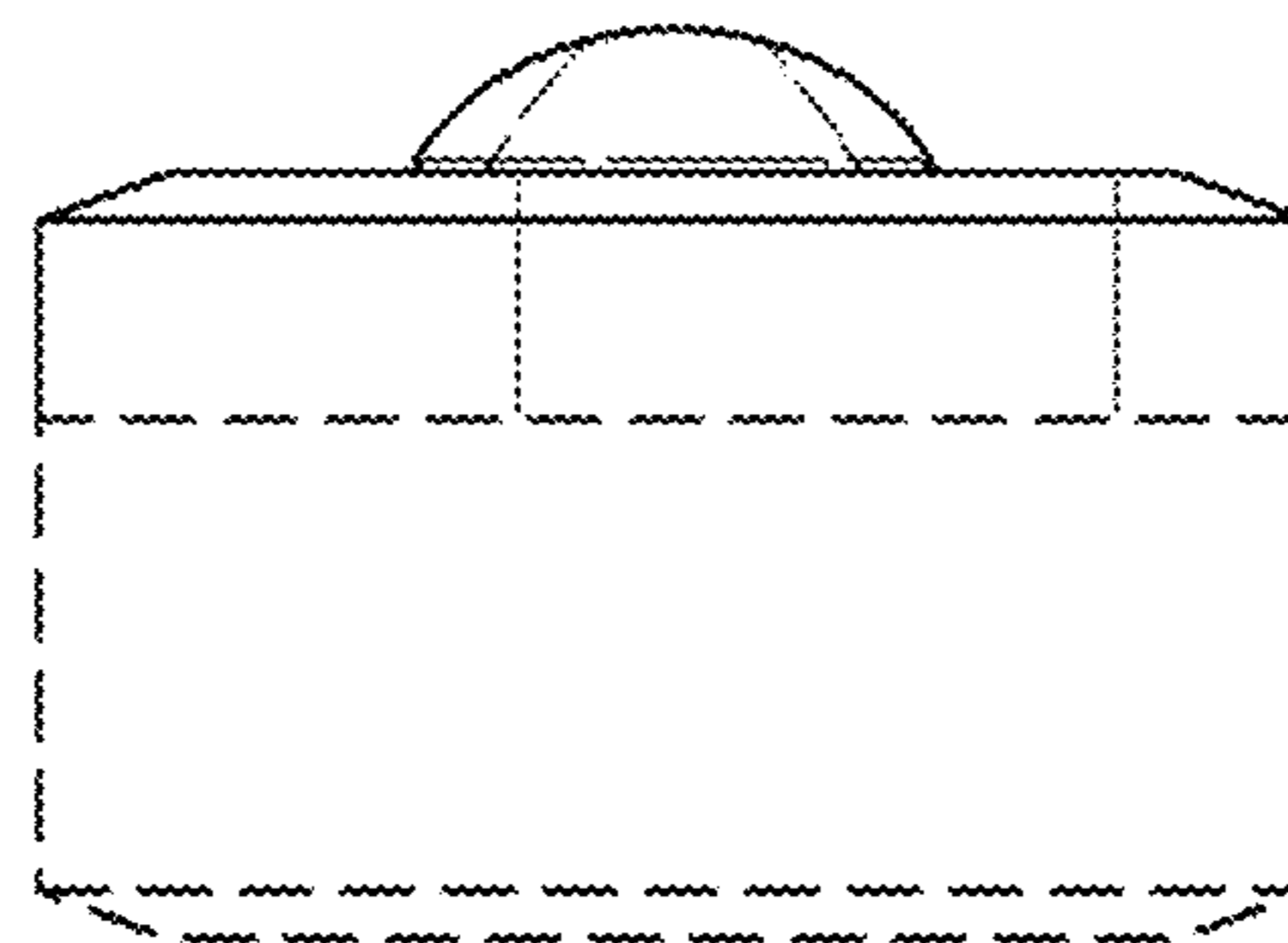


FIG. 5

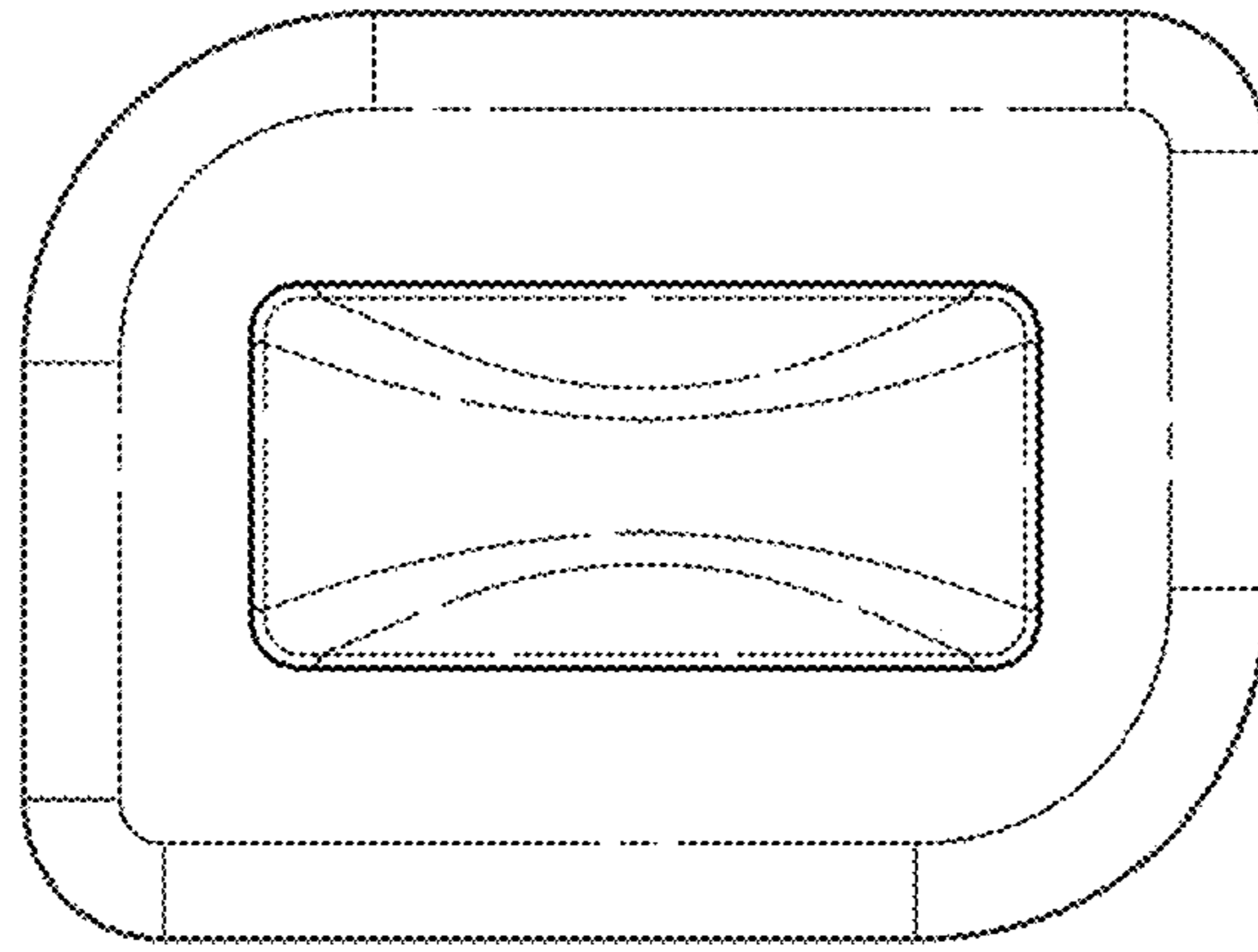


FIG. 6

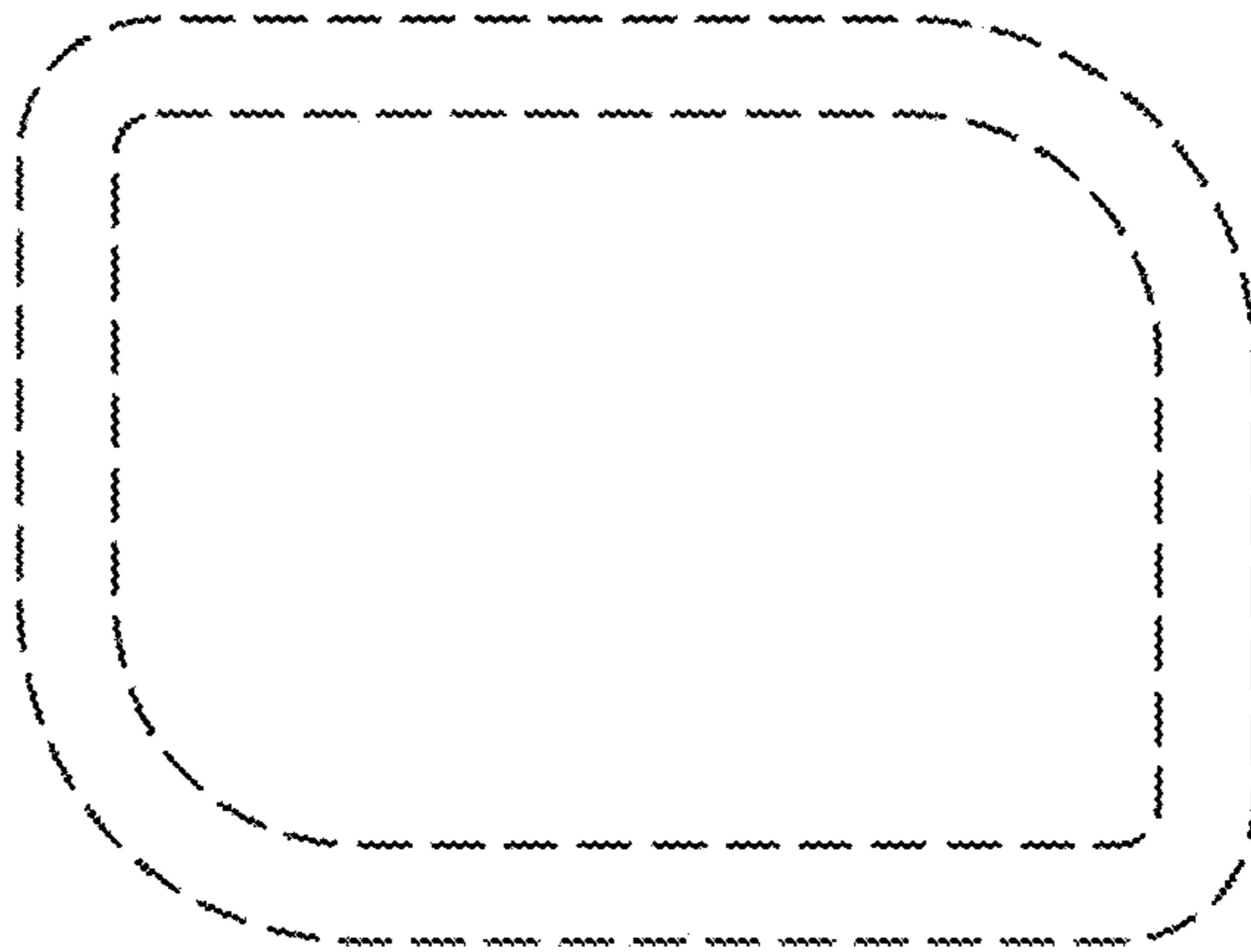


FIG. 7