



US00D943196S

(12) **United States Design Patent** (10) **Patent No.:** **US D943,196 S**  
**Tripathi et al.** (45) **Date of Patent:** **\*\* Feb. 8, 2022**

(54) **SOAP**  
(71) Applicant: **Reckitt Benckiser Health Limited**,  
Slough (GB)  
(72) Inventors: **Jyotsna Tripathi**, Gurgaon (IN); **Shakti Rajpura**, Gurgaon (IN)  
(73) Assignee: **RECKITT BENCKISER HEALTH LIMITED**, Slough (GB)

D613,907 S \* 4/2010 Oates ..... D28/8.1  
D624,696 S \* 9/2010 Hsiao ..... D28/8.1  
D743,100 S \* 11/2015 Crawford ..... D28/8.1  
D752,809 S \* 3/2016 Crawford ..... D28/8.1  
D772,482 S \* 11/2016 Crawford ..... D28/8.1  
D773,117 S \* 11/2016 Crawford ..... D28/8.1  
D785,239 S \* 4/2017 Janardhana ..... D28/8.1  
D802,840 S \* 11/2017 Donald ..... D28/8.1  
D841,236 S \* 2/2019 Zuckerman ..... D28/8.1  
D844,895 S \* 4/2019 Macias Mejia ..... D28/8.1  
D846,190 S \* 4/2019 Zuckerman ..... D28/8.1  
D913,585 S \* 3/2021 Gerhards ..... D28/8.1

(\*\*) Term: **15 Years**

**OTHER PUBLICATIONS**

(21) Appl. No.: **29/738,080**

Soap By: deposit photo found on google Jul. 3, 2021 <https://depositphotos.com/13289946/stock-photo-bar-of-soap.html>.\*

(22) Filed: **Jun. 15, 2020**

\* cited by examiner

(30) **Foreign Application Priority Data**

Dec. 23, 2019 (EM) ..... 007448832-0001

(51) **LOC (13) Cl.** ..... **28-02**

(52) **U.S. Cl.**  
USPC ..... **D28/8.1**

(58) **Field of Classification Search**  
USPC ..... D28/8.1, 8.2, 56, 57, 61, 62, 76-84  
CPC . C11D 17/02; C11D 17/0056; C11D 17/0095;  
C11D 17/0047; C11D 17/0017; C11D  
17/0026; C11D 17/048; C11D 17/00;  
C11D 13/14; C11D 13/16; C11D 13/18;  
C11D 13/28

See application file for complete search history.

*Primary Examiner* — Marissa J Cash  
*Assistant Examiner* — Rebecca Tsehaye  
(74) *Attorney, Agent, or Firm* — Troutman Pepper  
Hamilton Sanders LLP; Ryan Schneider; Chris N. Davis

(57) **CLAIM**

The ornamental design for a soap, as shown and described.

**DESCRIPTION**

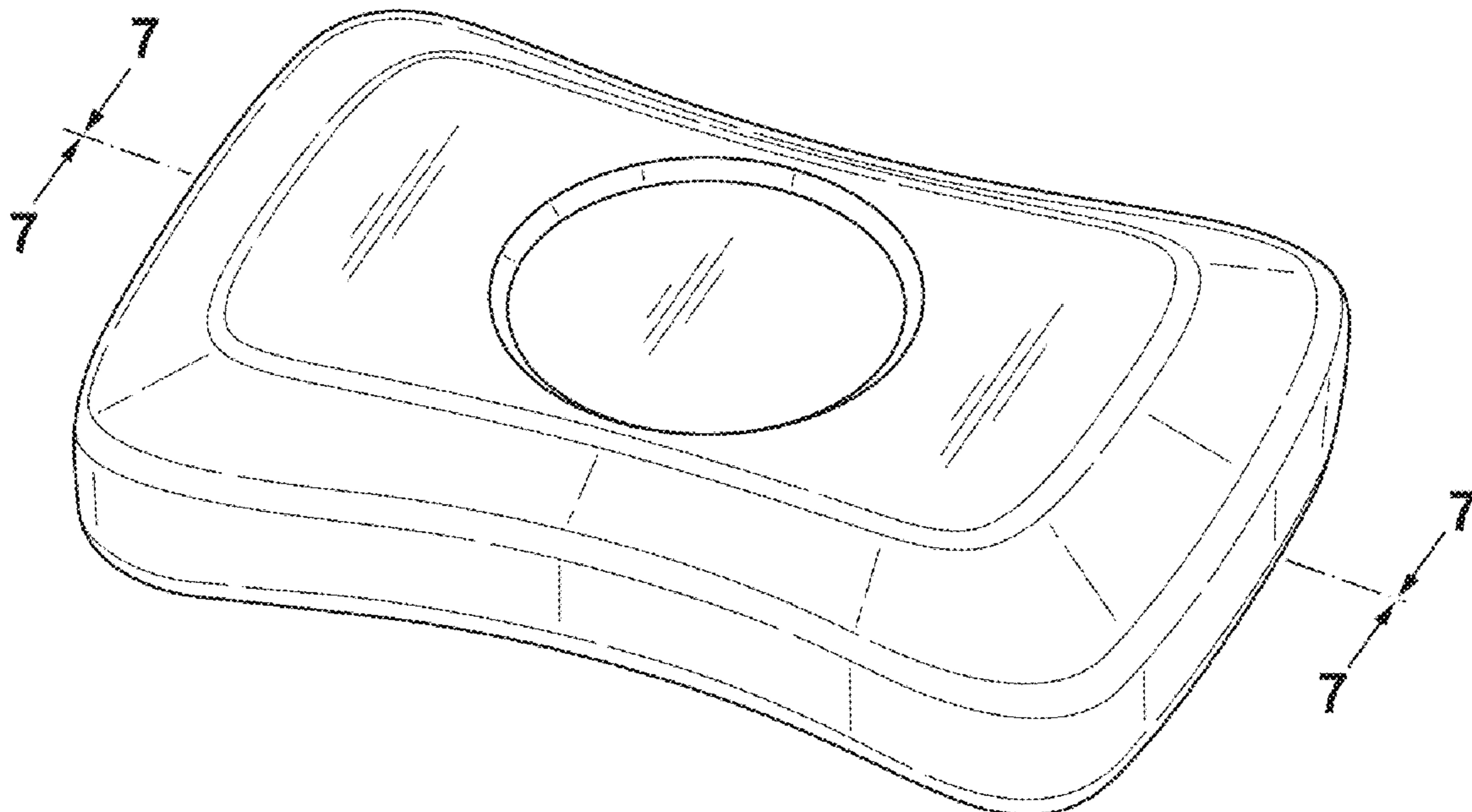
FIG. 1 is a perspective view of a soap showing our new design;  
FIG. 2 is a front elevation view thereof;  
FIG. 3 is a left side elevation view thereof;  
FIG. 4 is a right side elevation view thereof;  
FIG. 5 is a top plan view thereof;  
FIG. 6 is a bottom plan view thereof; and,  
FIG. 7 is a cross-section view thereof, bisecting the soap as shown in FIG. 1.

(56) **References Cited**

**U.S. PATENT DOCUMENTS**

D356,474 S \* 3/1995 Chow ..... D28/8.1  
D451,243 S \* 11/2001 Katz ..... D28/8.1  
D485,943 S \* 1/2004 Wong ..... D28/8.1  
D612,478 S \* 3/2010 Karolak ..... D24/101

**1 Claim, 4 Drawing Sheets**



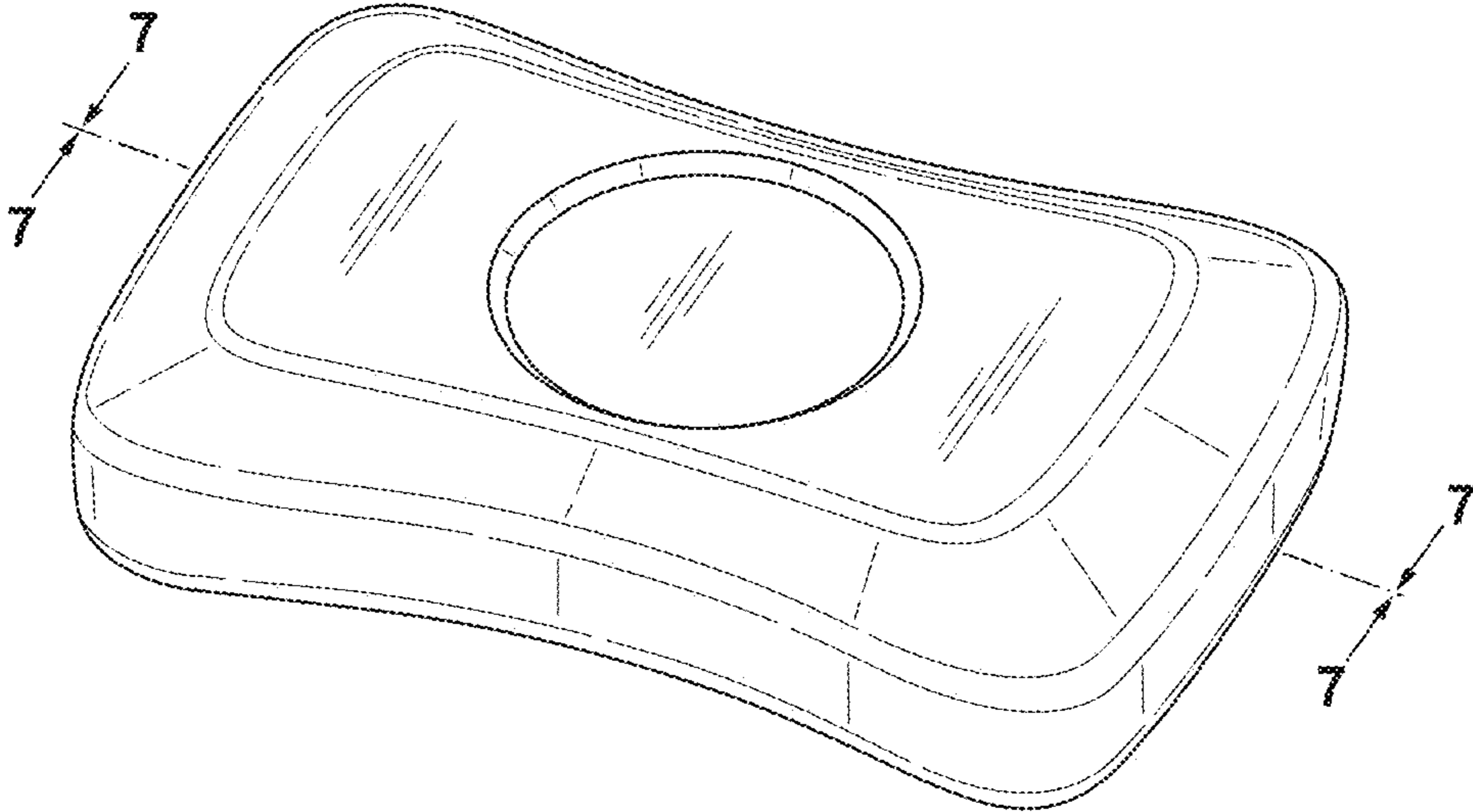


Fig. 1

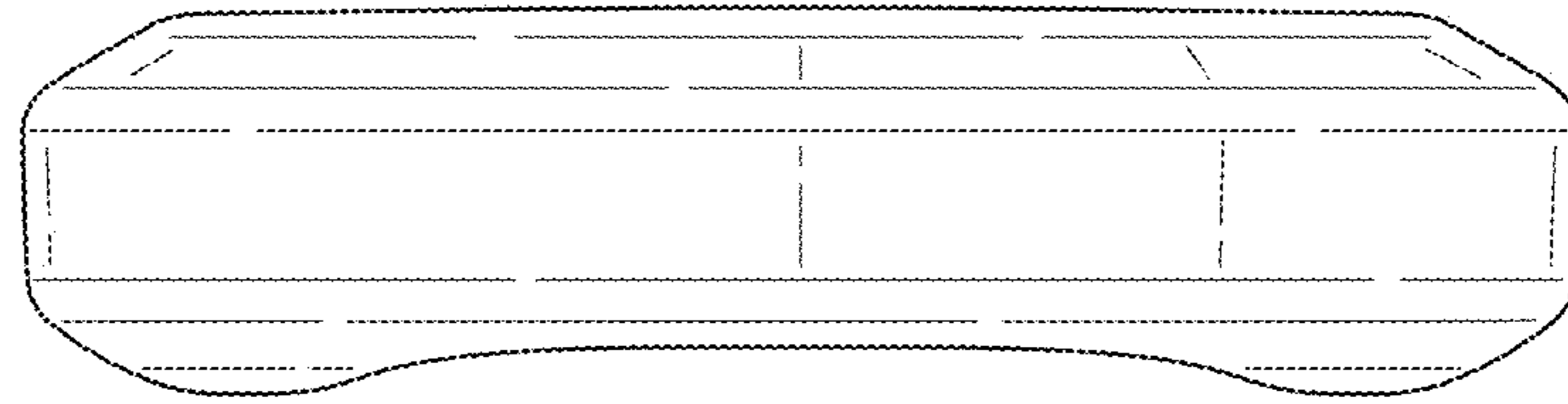


Fig. 2

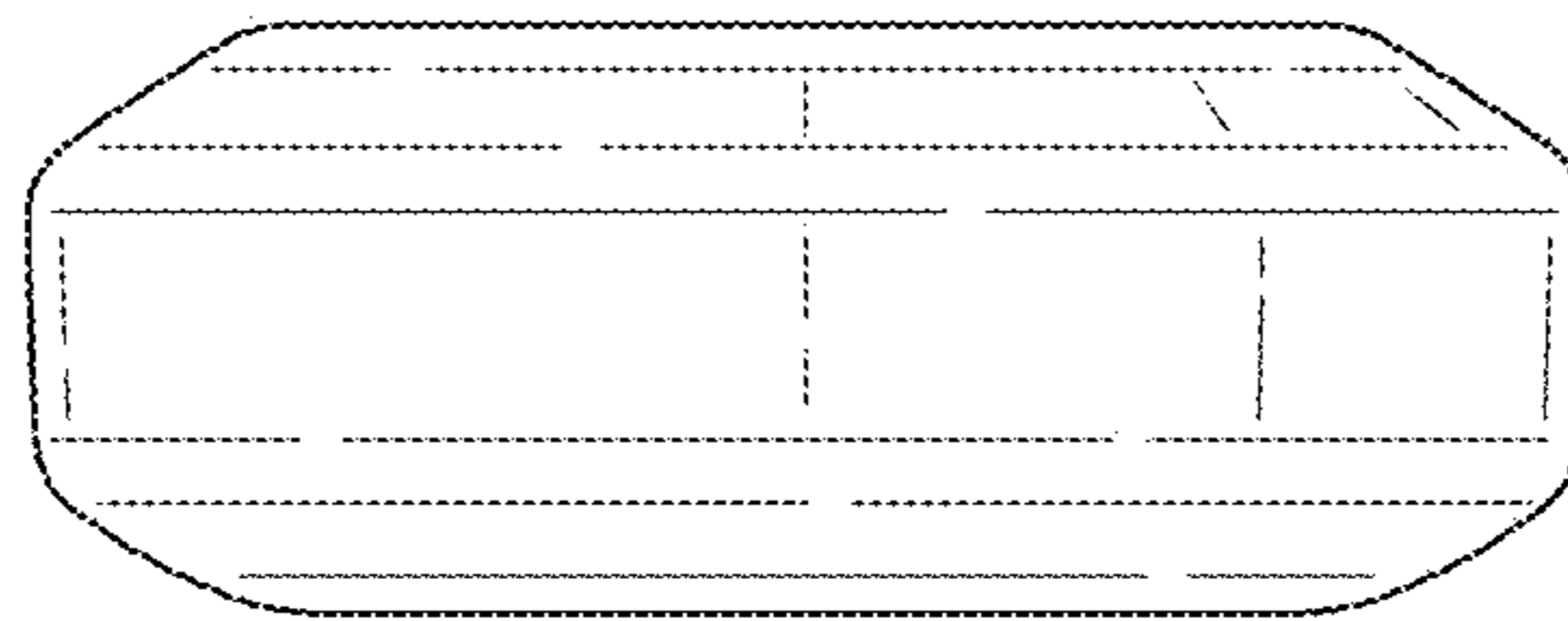


Fig. 3

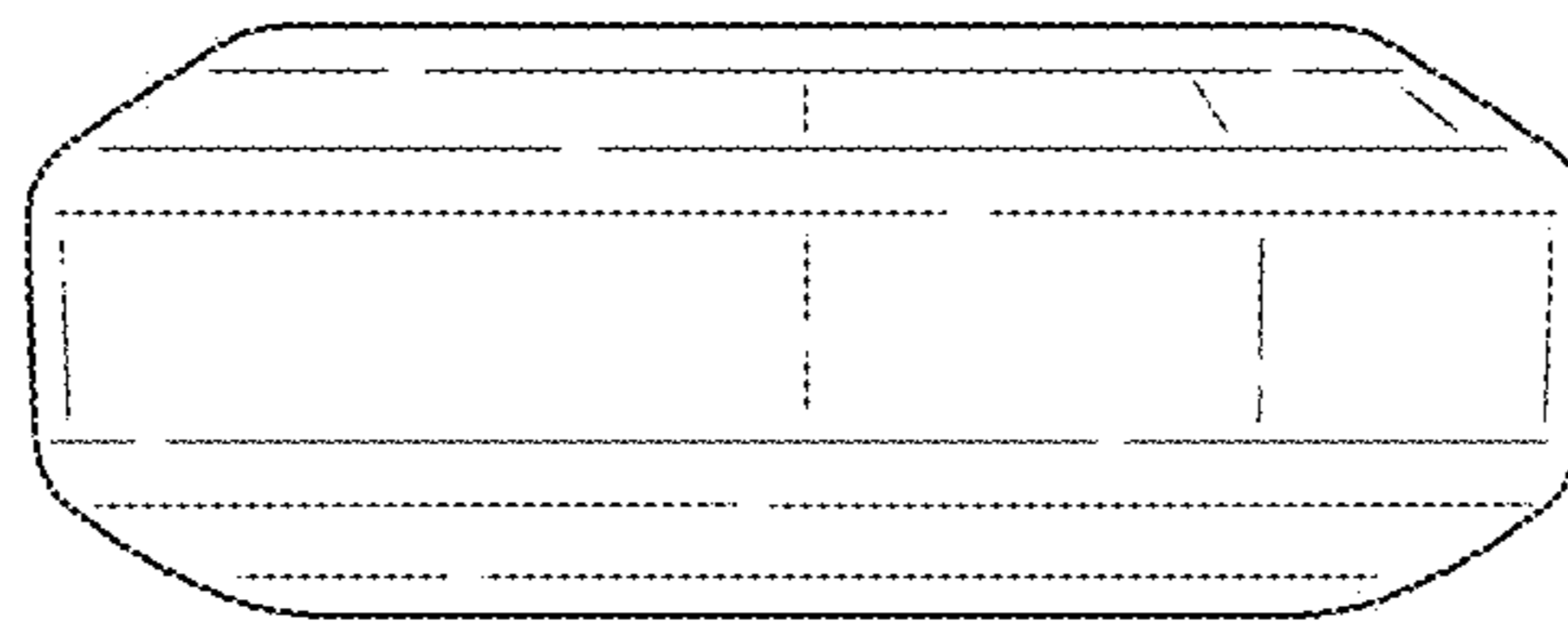


Fig. 4

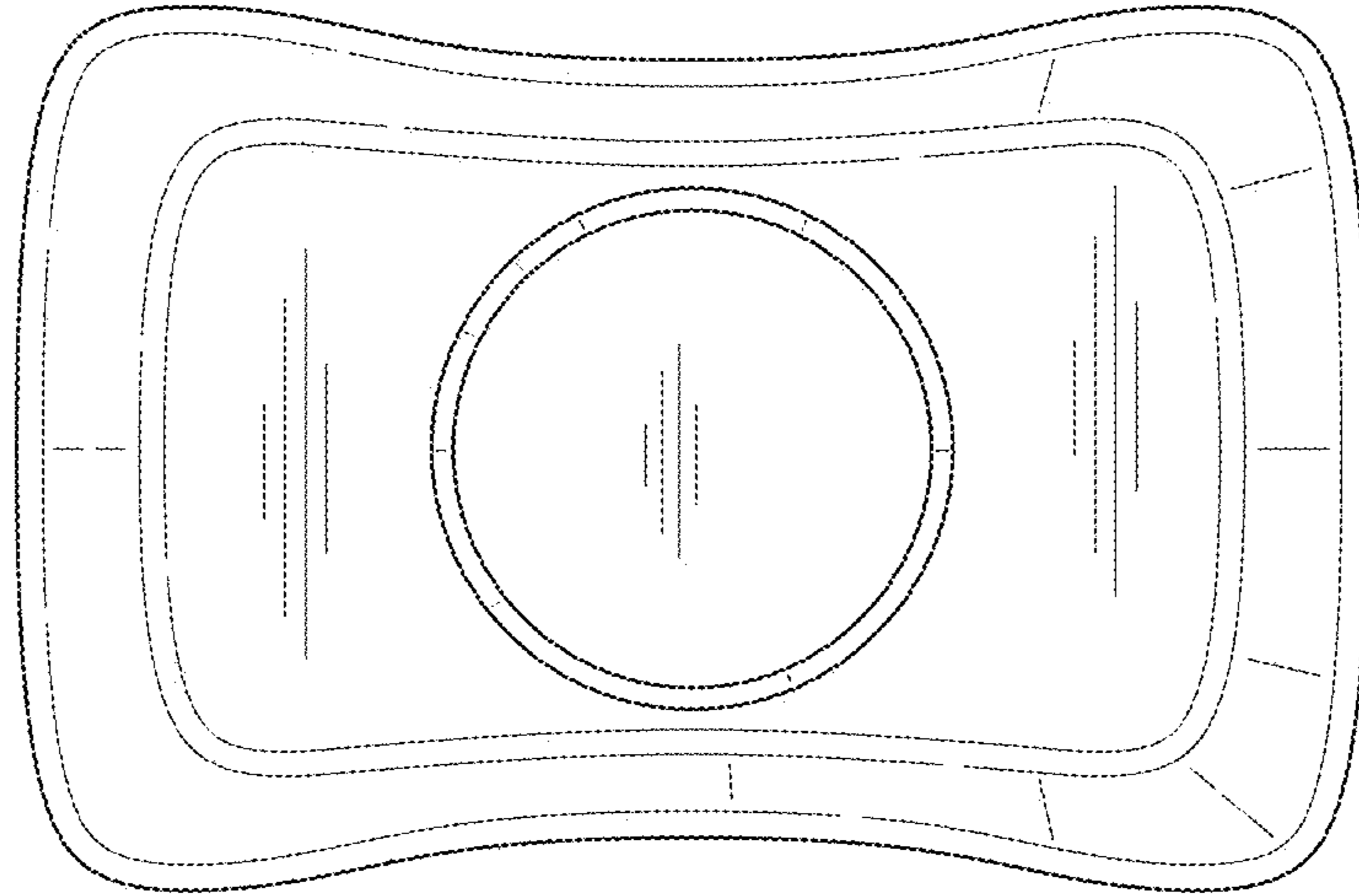


Fig. 5

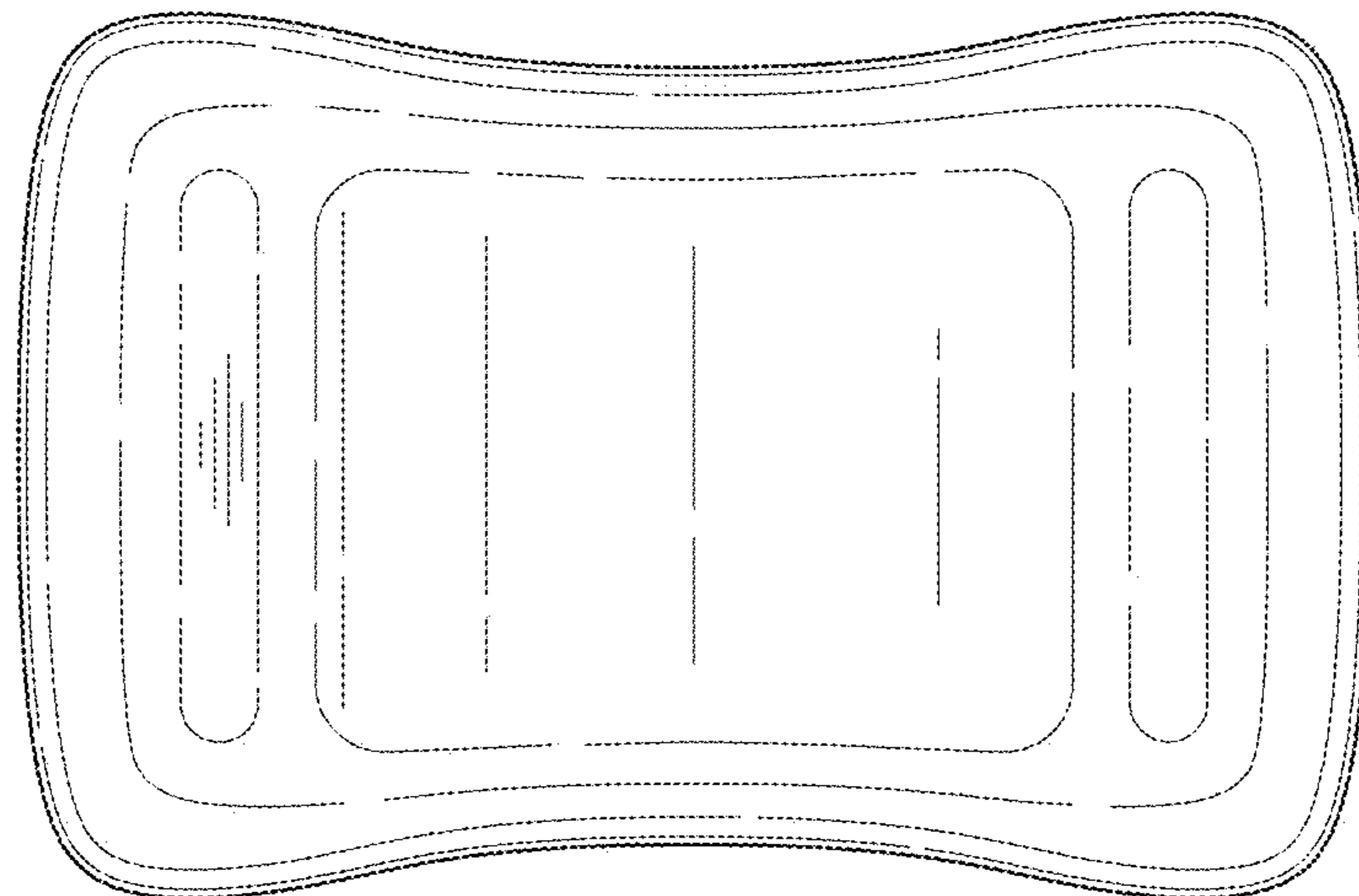


Fig. 6

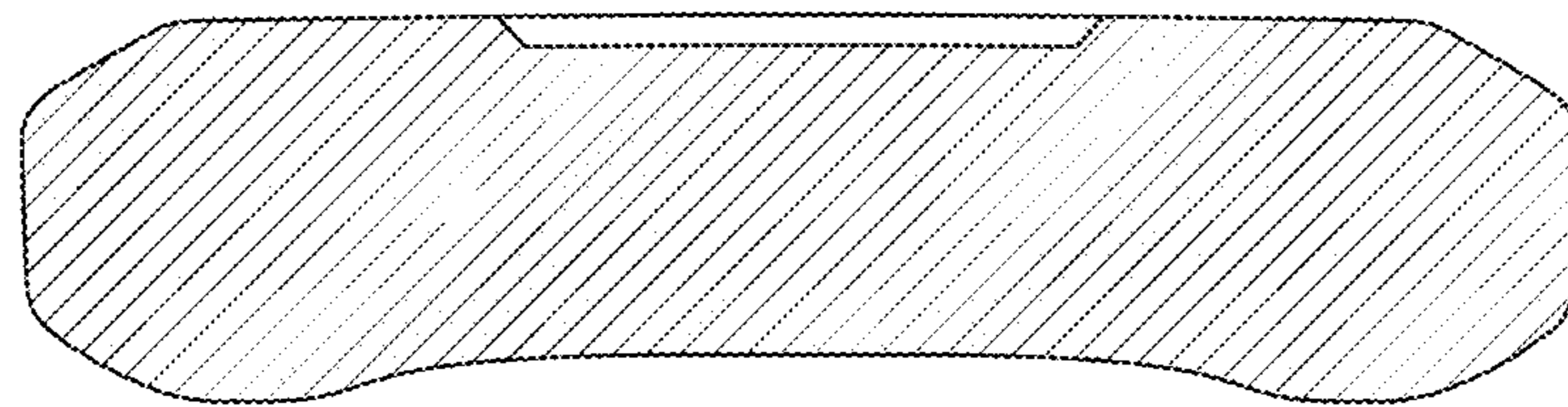


Fig. 7