



US00D943195S

(12) **United States Design Patent** (10) **Patent No.:** **US D943,195 S**  
**Santos** (45) **Date of Patent:** **\*\* Feb. 8, 2022**

(54) **HAIR TOOL**

(71) Applicant: **Elizabeth Santos**, Hillsboro, TX (US)

(72) Inventor: **Elizabeth Santos**, Hillsboro, TX (US)

(\*\*) Term: **15 Years**

(21) Appl. No.: **29/714,696**

(22) Filed: **Nov. 25, 2019**

**Related U.S. Application Data**

(63) Continuation-in-part of application No. 29/622,014, filed on Oct. 13, 2017, now abandoned.

(51) **LOC (13) Cl.** ..... **28-02**

(52) **U.S. Cl.**  
USPC ..... **D28/7**

(58) **Field of Classification Search**  
USPC ..... D28/7, 30, 31, 28, 33, 34, 21, 22, 25;  
D8/317; D30/159  
CPC ..... A45D 24/02; A45D 24/00  
See application file for complete search history.

(56) **References Cited**

**U.S. PATENT DOCUMENTS**

5,927,295	A *	7/1999	Quinones	.....	A45D 2/48
					132/216
D521,243	S *	5/2006	Olsson	.....	D4/118
D539,549	S *	4/2007	Kipry	.....	D4/132
D595,058	S *	6/2009	Davis	.....	D4/138
D623,800	S *	9/2010	Clemons	.....	D28/46
D646,018	S *	9/2011	Anderson	.....	D28/7
D673,326	S *	12/2012	Dunaway	.....	D28/7
8,701,684	B2 *	4/2014	Muhl	.....	A45D 19/00
					132/120
D779,135	S *	2/2017	Chang	.....	D30/159
D841,242	S *	2/2019	Marut	.....	B26B 21/22
					D28/46

D899,713	S *	10/2020	Lu	.....	D30/159
2003/0019061	A1 *	1/2003	Libman	.....	A46B 5/0095
					15/145
2004/0237226	A1 *	12/2004	Hohlbein	.....	A61C 15/02
					15/22.1
2008/0109974	A1 *	5/2008	Cavalheiro	.....	A46B 17/06
					15/105
2008/0120798	A1 *	5/2008	Sorrentino	.....	A46B 15/0069
					401/132
2011/0067644	A1 *	3/2011	Prochaska	.....	A01K 13/002
					119/628

\* cited by examiner

*Primary Examiner* — Rebecca Tsehaye

(74) *Attorney, Agent, or Firm* — Nolte Lackenbach Siegel

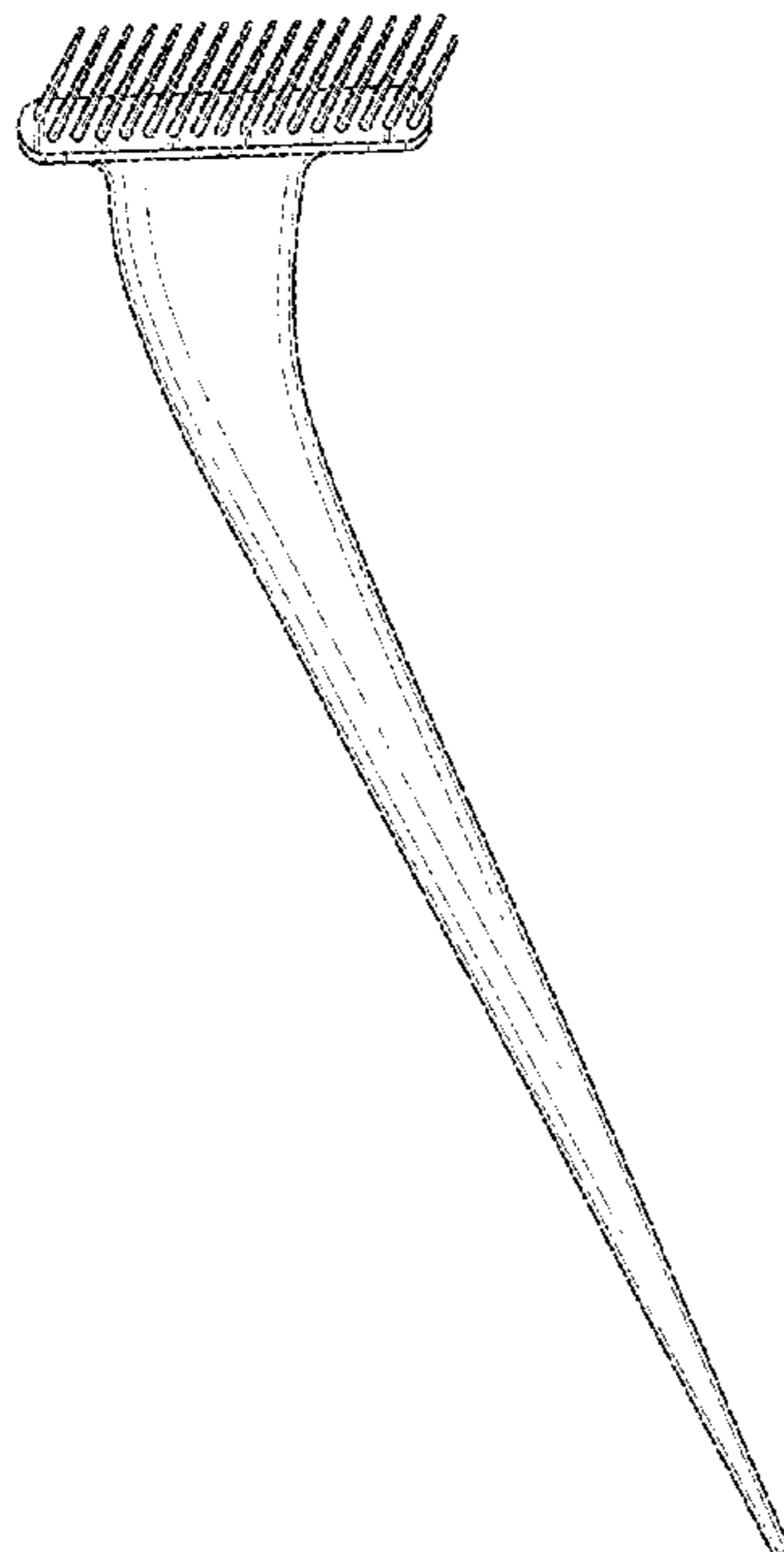
(57) **CLAIM**

The ornamental design for a hair tool, as shown and described.

**DESCRIPTION**

FIG. 1 illustrates a perspective view of the exemplary hair tool;  
FIG. 2 illustrates a front perspective view of the exemplary hair tool;  
FIG. 3 illustrates a rear perspective view of the exemplary hair tool;  
FIG. 4 is a first side perspective view of the exemplary hair tool;  
FIG. 5 is a second side (opposite the first side) perspective view of the exemplary hair tool; and,  
FIG. 6 is a view of the hair tool at approximately 45 degrees from the longitudinal axis of the hair tool.  
Exemplary embodiments of Applicant's hair tool are shown and illustrated in FIGS. 1-6.  
The novel and unobvious features thereof are readily apparent from each of FIGS. 1-6.

**1 Claim, 6 Drawing Sheets**



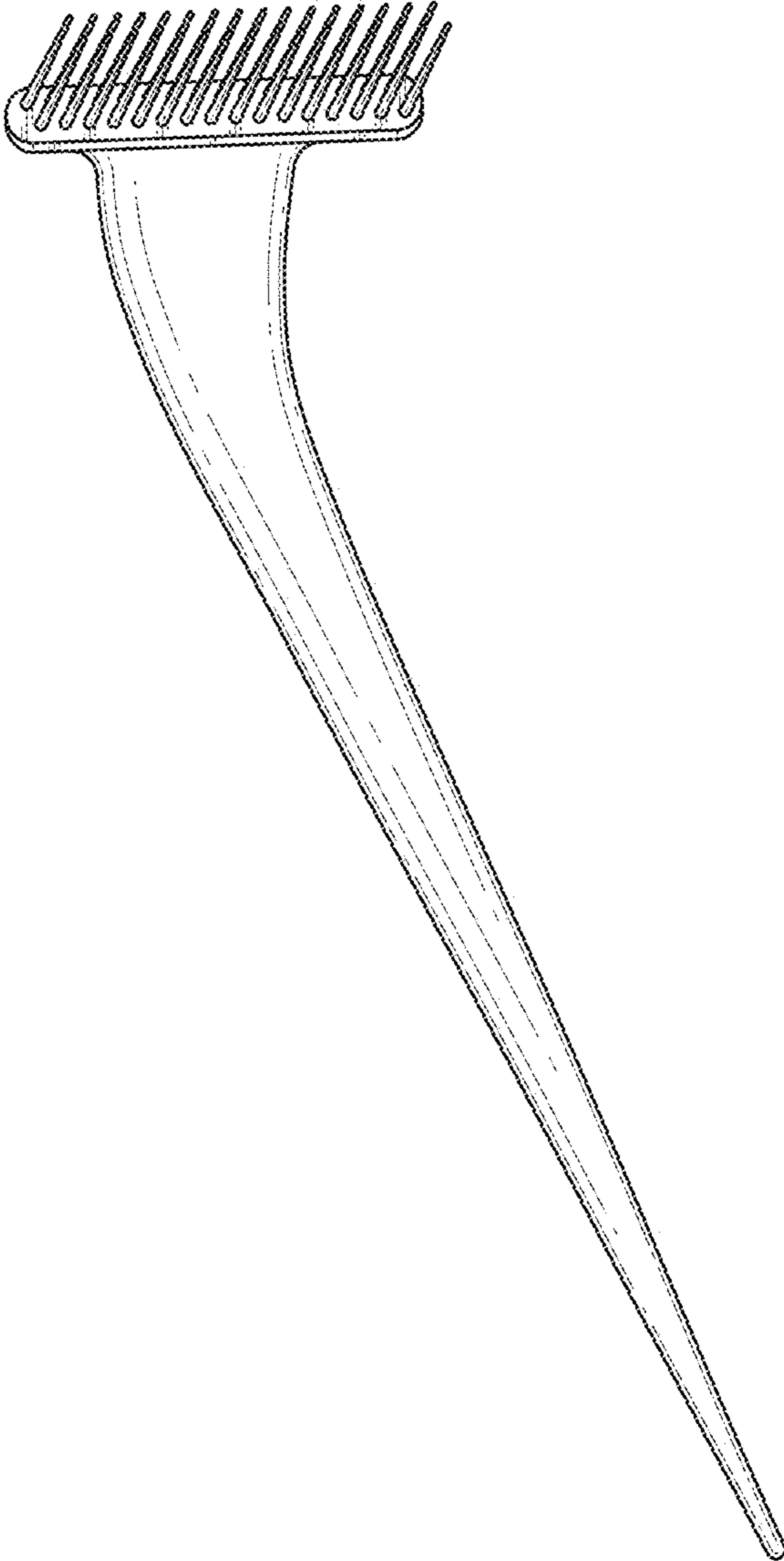


FIG. 1

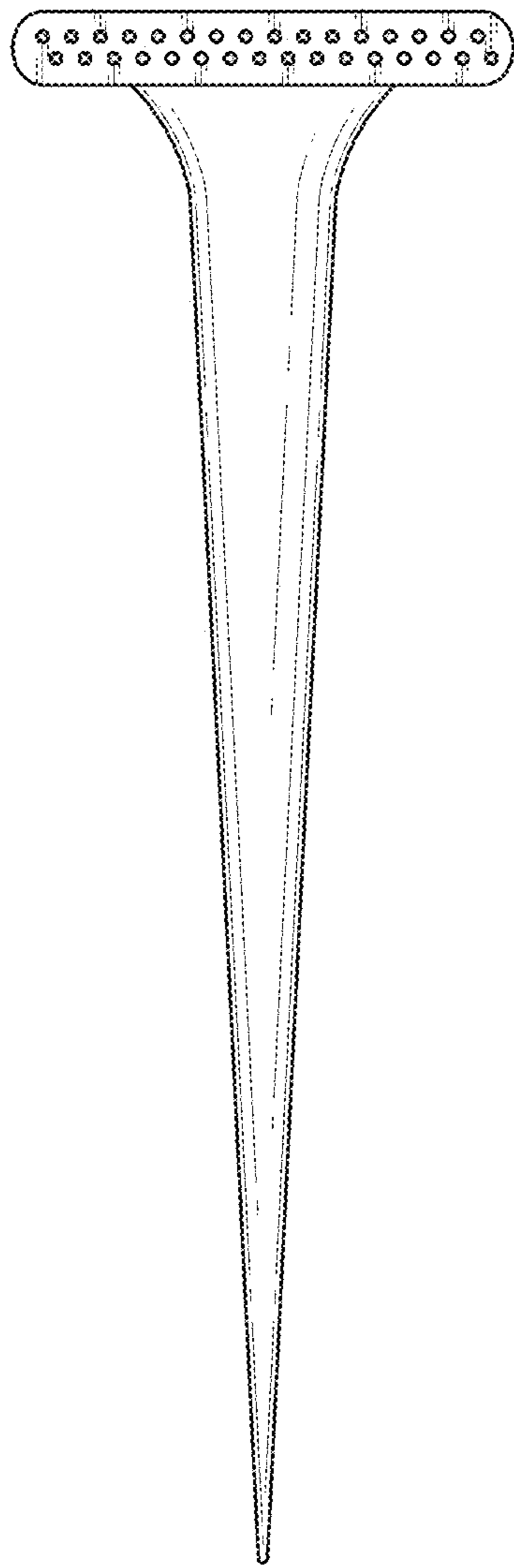


FIG. 2

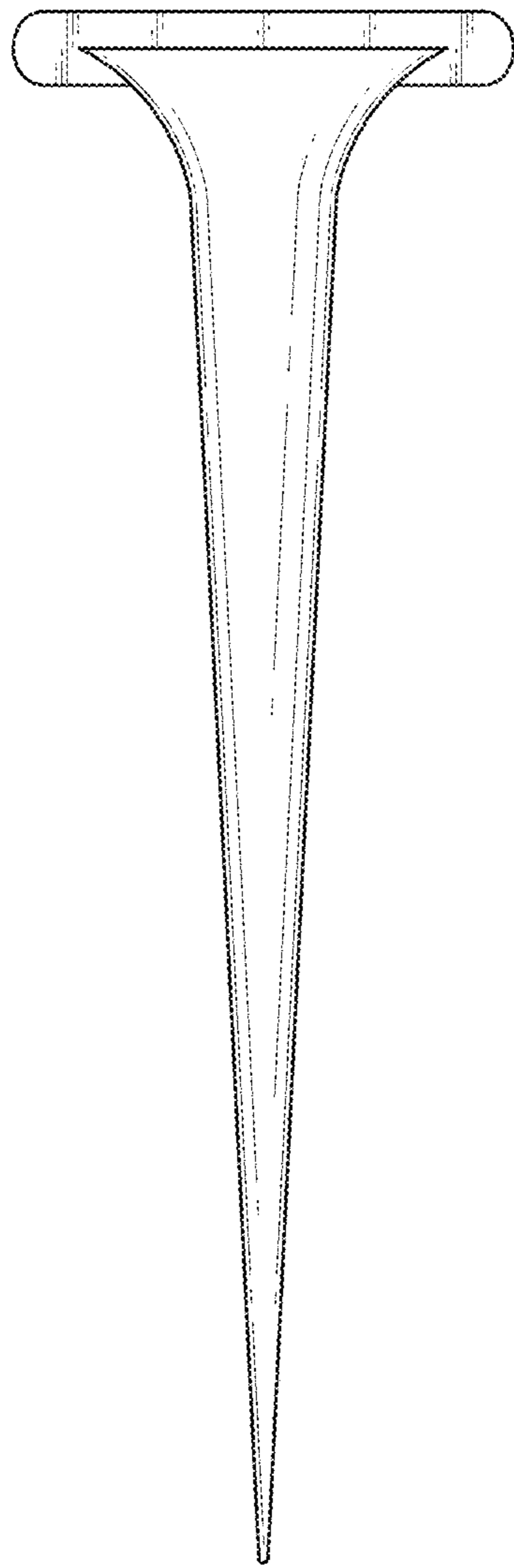


FIG. 3

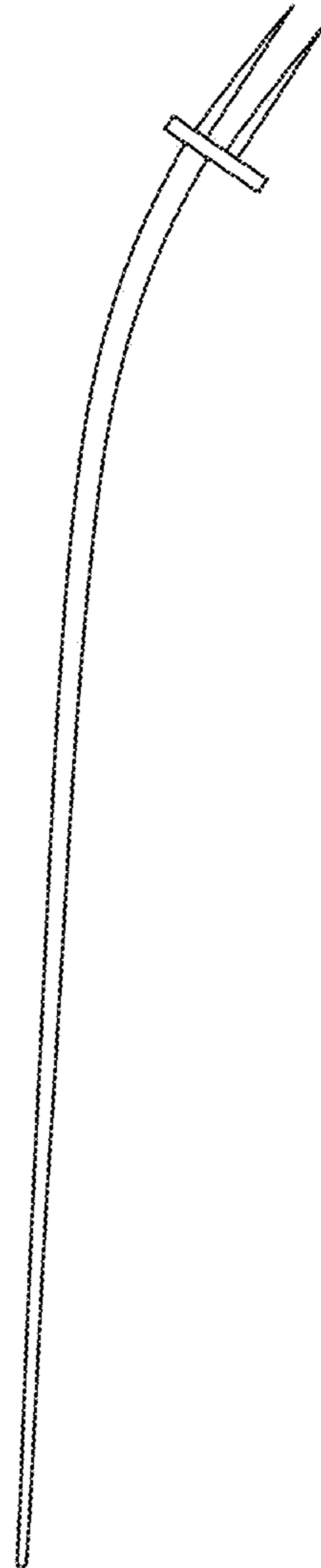


FIG. 4

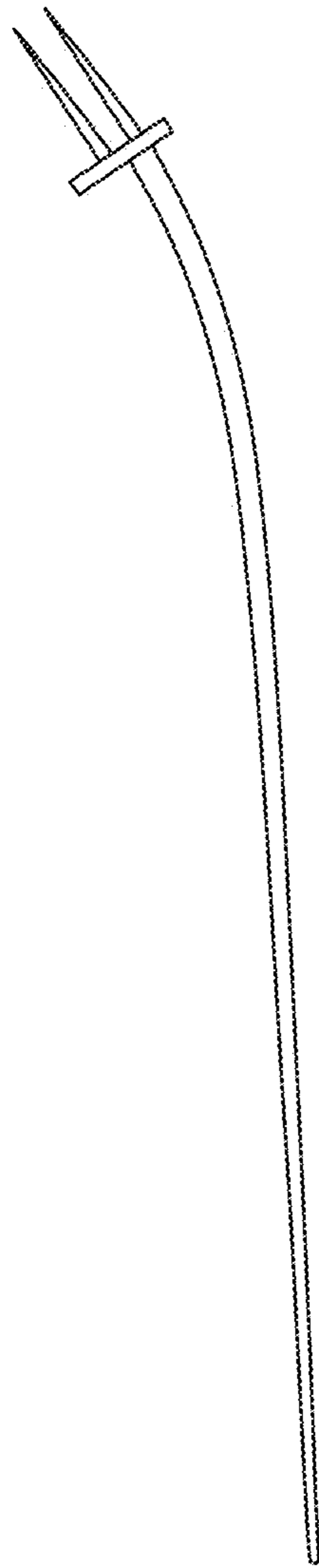


FIG. 5

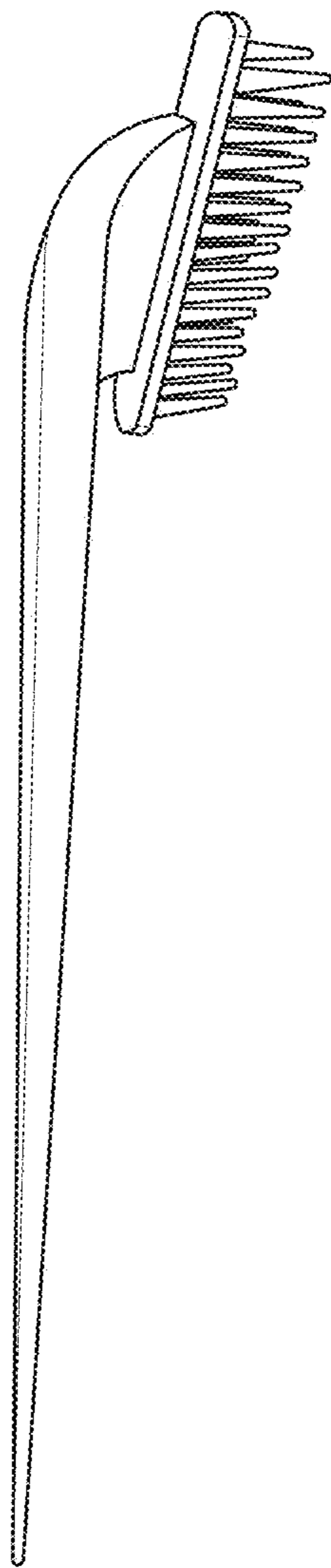


FIG. 6