



US00D943193S

(12) **United States Design Patent**
Wheeler

(10) **Patent No.:** **US D943,193 S**

(45) **Date of Patent:** **** Feb. 8, 2022**

(54) **SCOOPING SNUFF STRAW**

(71) Applicant: **Snogo, LLC**, Boulder, CO (US)

(72) Inventor: **Arrian Yves Wheeler**, Boulder, CO (US)

(**) Term: **15 Years**

(21) Appl. No.: **29/696,713**

(22) Filed: **Jun. 30, 2019**

(51) **LOC (13) Cl.** **27-99**

(52) **U.S. Cl.**
USPC **D27/194**

(58) **Field of Classification Search**
USPC D27/194, 193, 172, 183, 186, 187;
D7/300.2

(Continued)

(56) **References Cited**

U.S. PATENT DOCUMENTS

D401,011 S * 11/1998 Sloan, II D27/183
D428,298 S * 7/2000 Cohen D21/406

(Continued)

OTHER PUBLICATIONS

Snuff accessories By: Alibaba found on line May 23, 2021 https://www.alibaba.com/product-detail/Snuff-accessories_108896656.html.
*

Primary Examiner — Rebecca Tsehaye

(74) *Attorney, Agent, or Firm* — Will Hunziker

(57) **CLAIM**

The ornamental design for a scooping snuff straw, as shown and described.

DESCRIPTION

FIG. 1 illustrates an exploded side perspective view of an inner straw (on the left) and an outer straw (on the right) of

a scooping snuff straw, the broken line screw and spring elements are not part of the design sought to be patented.

FIG. 2 illustrates an exploded front elevation view of an inner straw and an outer straw of a scooping snuff straw, the broken line screw and spring elements are not part of the design sought to be patented.

FIG. 3 illustrates an exploded rear elevation view of an inner straw and an outer straw of a scooping snuff straw, the broken line screw and spring elements are not part of the design sought to be patented.

FIG. 4 illustrates an exploded left-side elevation view of an inner straw and an outer straw of a scooping snuff straw, the broken line screw and spring elements are not part of the design sought to be patented.

FIG. 5 illustrates an exploded right-side elevation view of an inner straw and an outer straw of a scooping snuff straw, the broken line screw and spring elements are not part of the design sought to be patented.

FIG. 6 illustrates an exploded top view of an inner straw and an outer straw of a scooping snuff straw the broken line screw and spring elements are not part of the design sought to be patented.

FIG. 7 illustrates an exploded bottom view of an inner straw and an outer straw of a scooping snuff straw, the broken line screw and spring elements are not part of the design sought to be patented.

FIG. 8 illustrates a side perspective view of a scooping snuff straw in an open position; the broken line air hole elements are not part of the design sought to be patented.

FIG. 9 illustrates a front elevation view of a scooping snuff straw in an open position; the broken line air hole elements are not part of the design sought to be patented.

FIG. 10 illustrates a rear elevation view of a scooping snuff straw in an open position; the broken line logo elements are not part of the design sought to be patented.

FIG. 11 illustrates a left-side elevation view of a scooping snuff straw in an open position; the broken line elements are not part of the design sought to be patented.

FIG. 12 illustrates a right-side elevation view of a scooping snuff straw in an open position; the broken line elements are not part of the design sought to be patented.

FIG. 13 illustrates a top view of a scooping snuff straw.

FIG. 14 illustrates a bottom view of a scooping snuff straw; and,

(Continued)

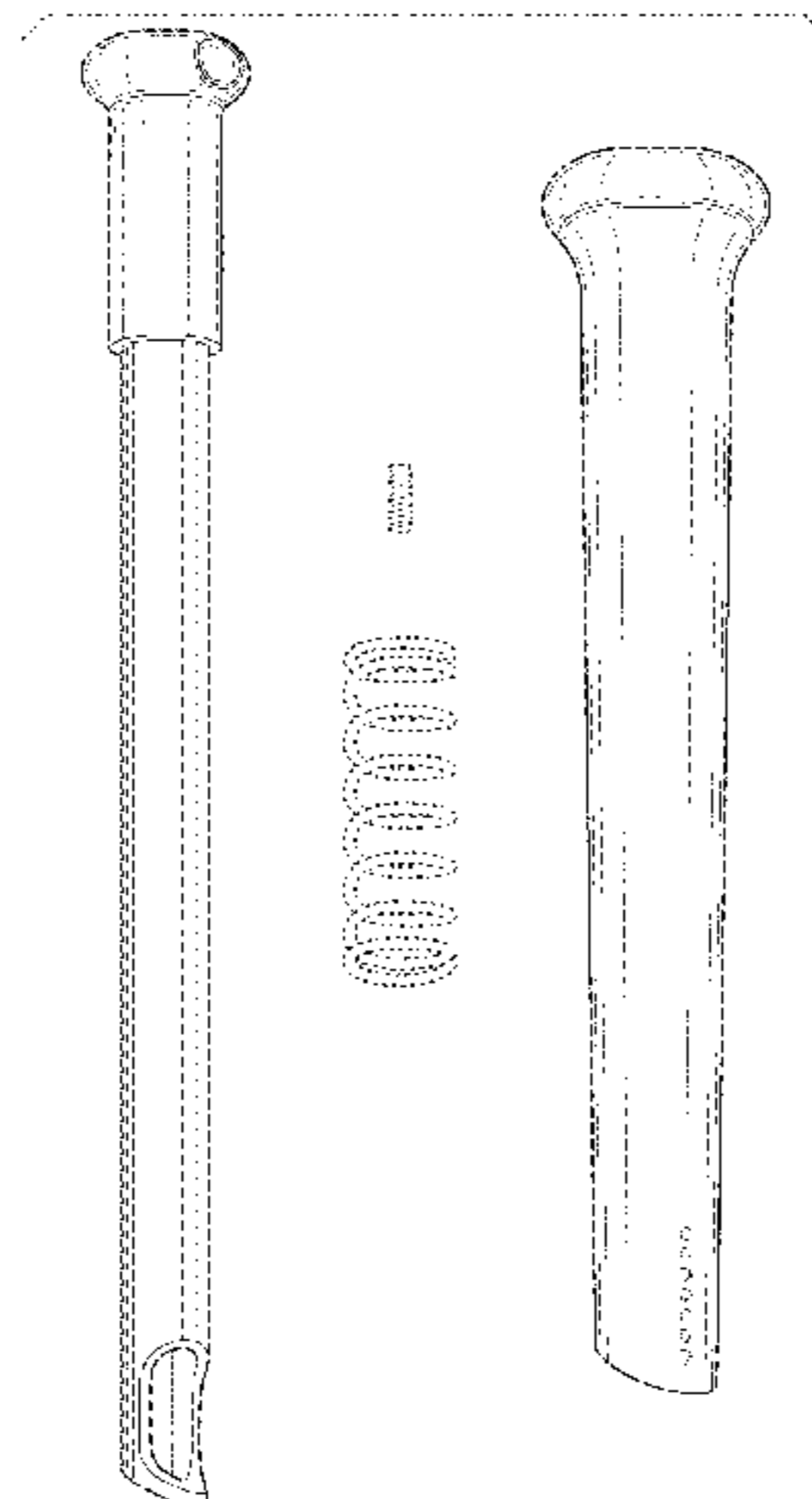


FIG. 15 illustrates a left-side elevation view of a scooping snuff straw in a closed position; the broken line elements are not part of the design sought to be patented.

1 Claim, 10 Drawing Sheets

(58) **Field of Classification Search**

CPC A47G 21/18; A47G 21/185; B01F 13/00
See application file for complete search history.

(56) **References Cited**

U.S. PATENT DOCUMENTS

D451,636 S	*	12/2001	Chang	D27/183
D467,685 S	*	12/2002	Nista	D27/183
D534,682 S	*	1/2007	Malhi	D27/183
D543,767 S	*	6/2007	Mather	D7/300.2
D567,004 S	*	4/2008	Bottega	D7/300.2
D595,990 S	*	7/2009	Rothberg	D7/300.2
D674,649 S	*	1/2013	Ludwig	D7/300.2
D827,196 S	*	8/2018	Sudlow	D27/172
D853,165 S	*	7/2019	Nordwall	D7/300.2
D866,235 S	*	11/2019	Pepper	D7/300.2
D899,171 S	*	10/2020	Yu	D7/300.2
D901,961 S	*	11/2020	Lee	D7/300.2
D903,394 S	*	12/2020	Liu	D7/300.2

* cited by examiner

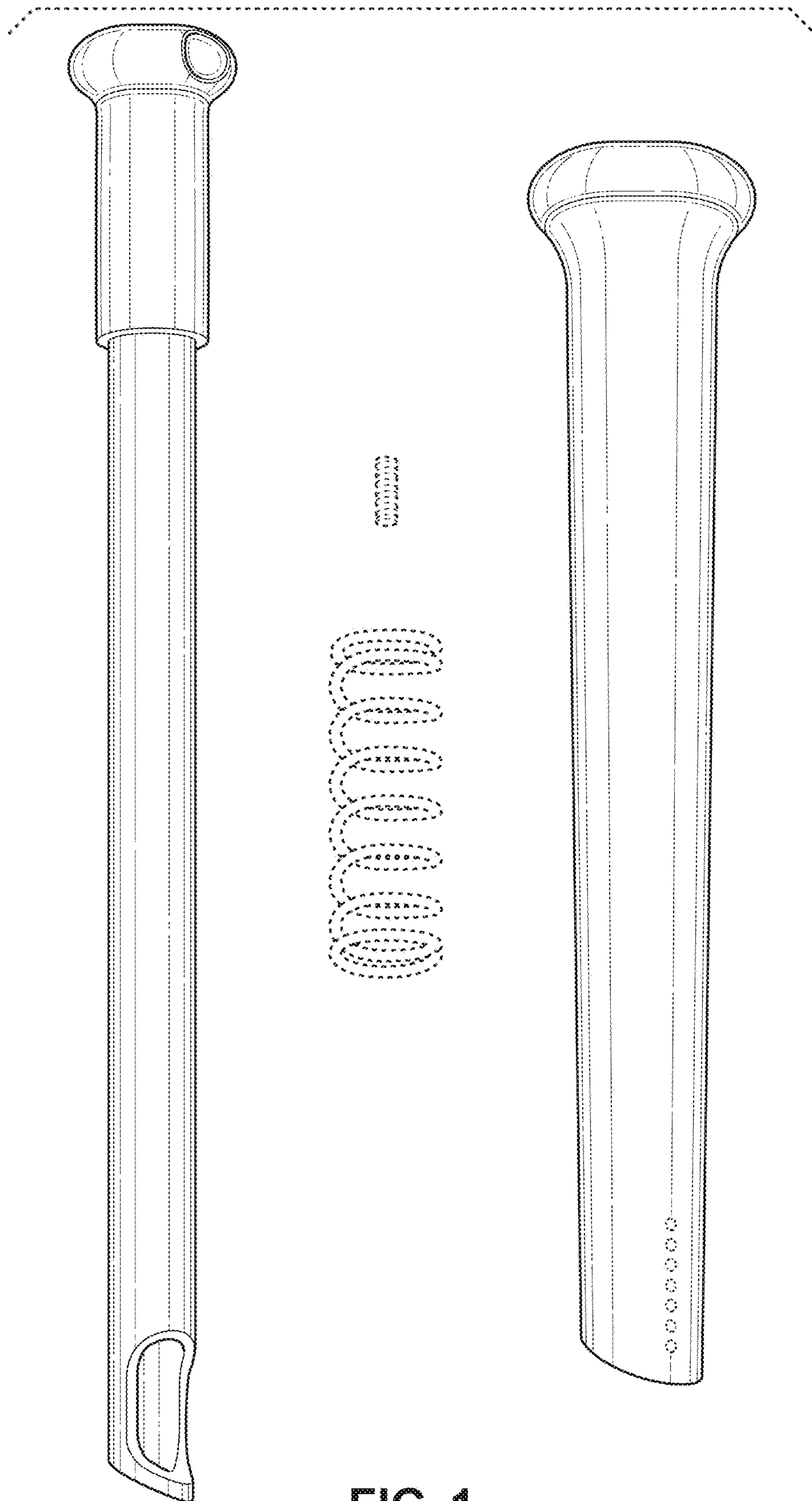


FIG. 1

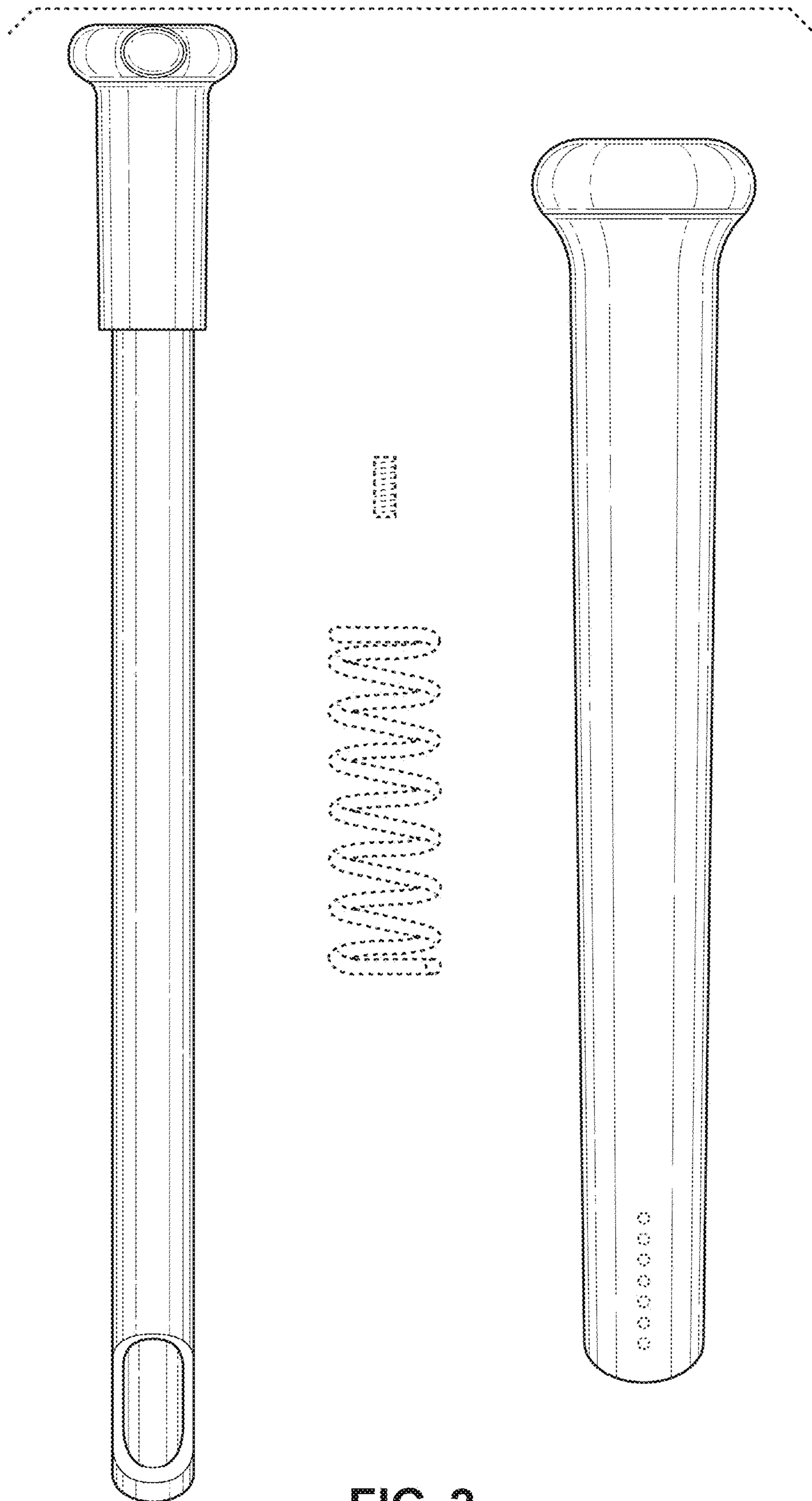


FIG. 2

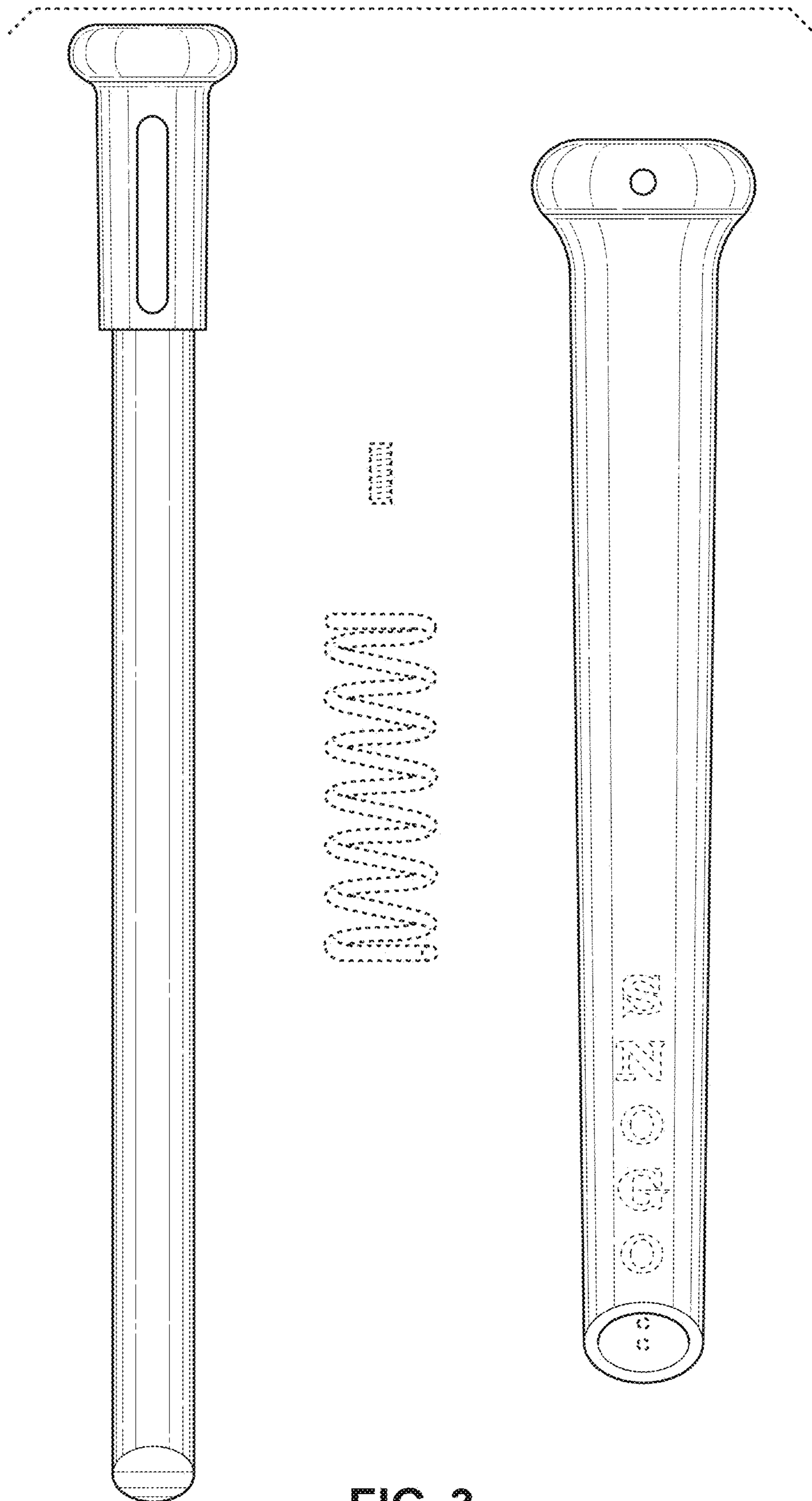


FIG. 3

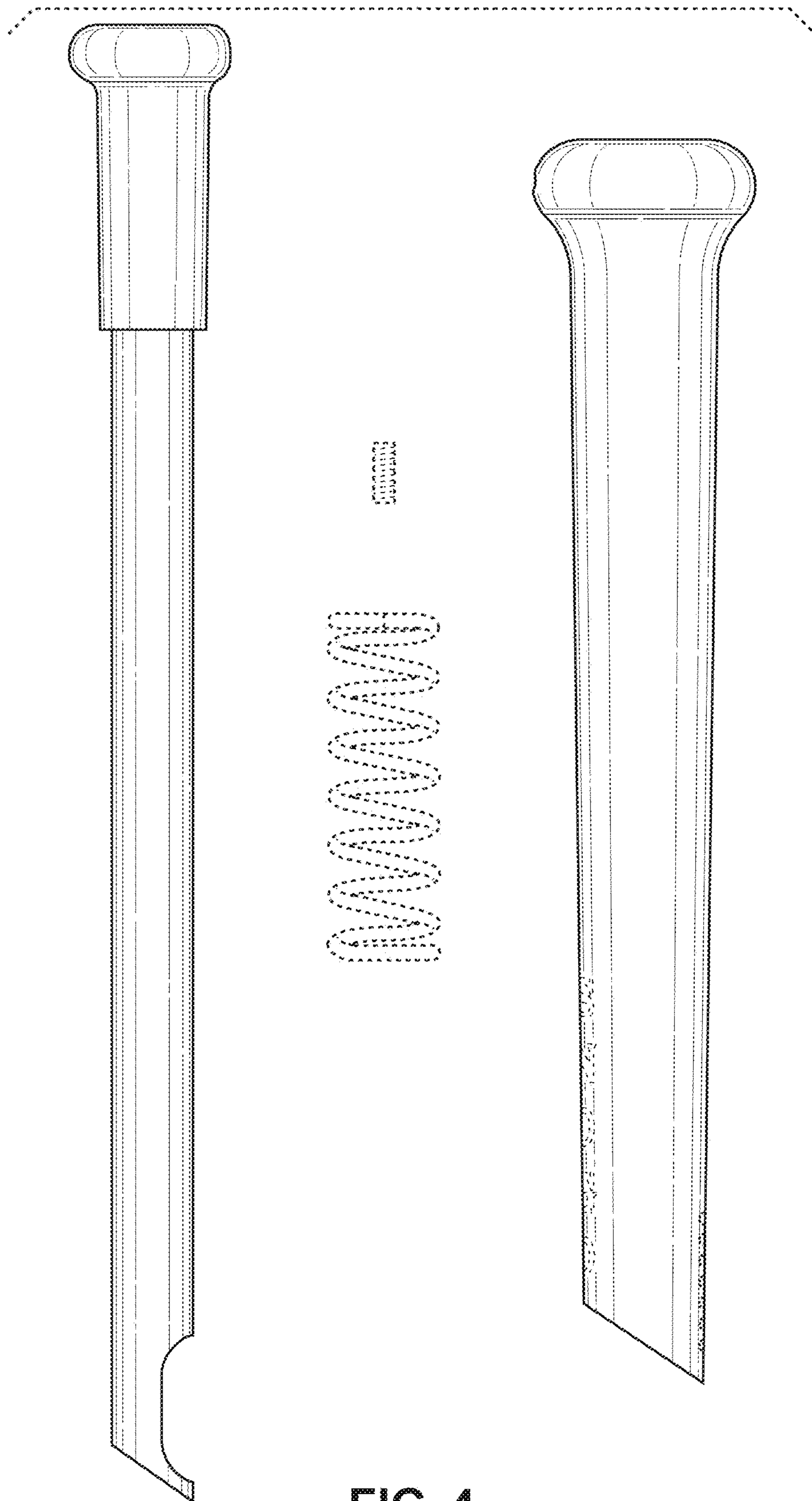


FIG. 4

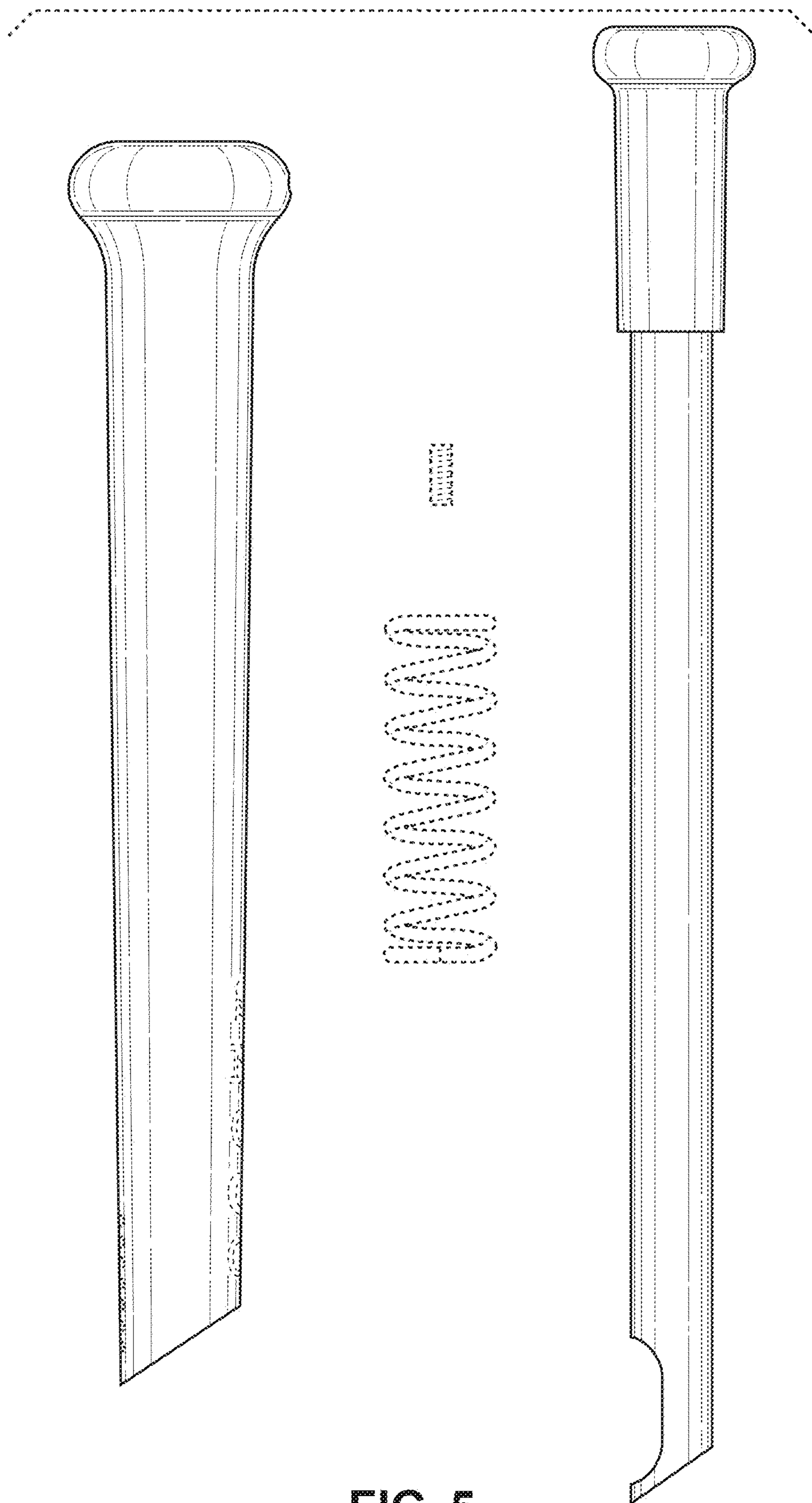


FIG. 5

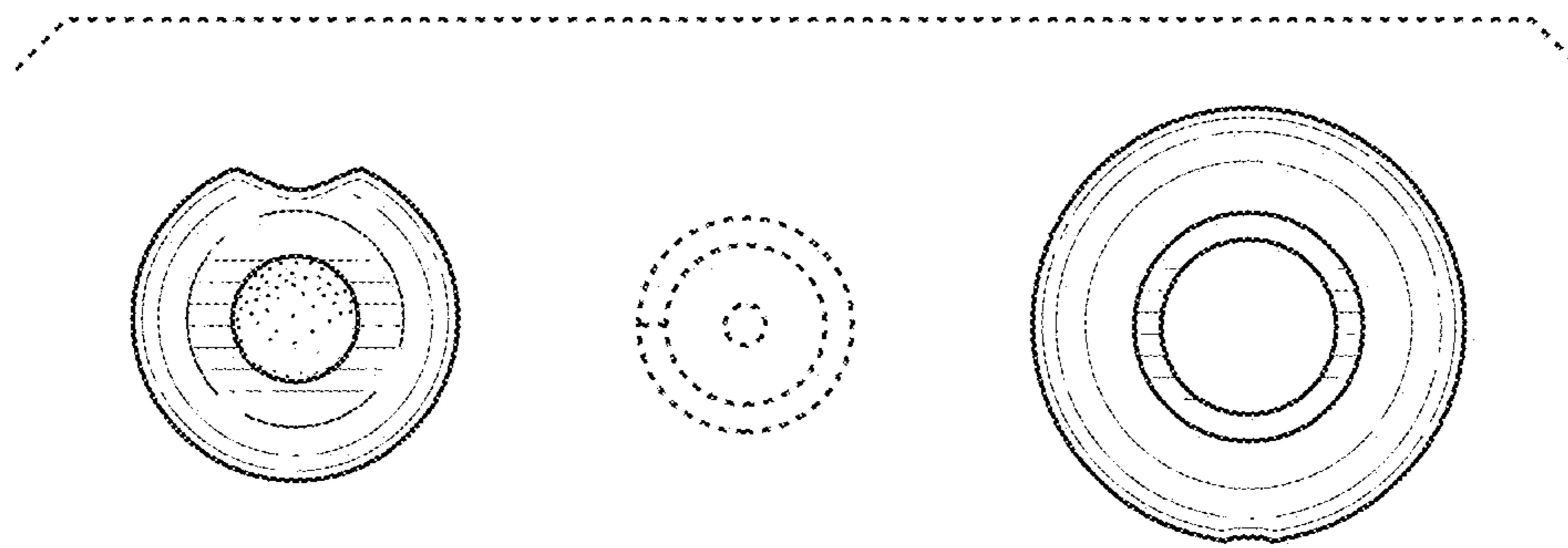


FIG. 6

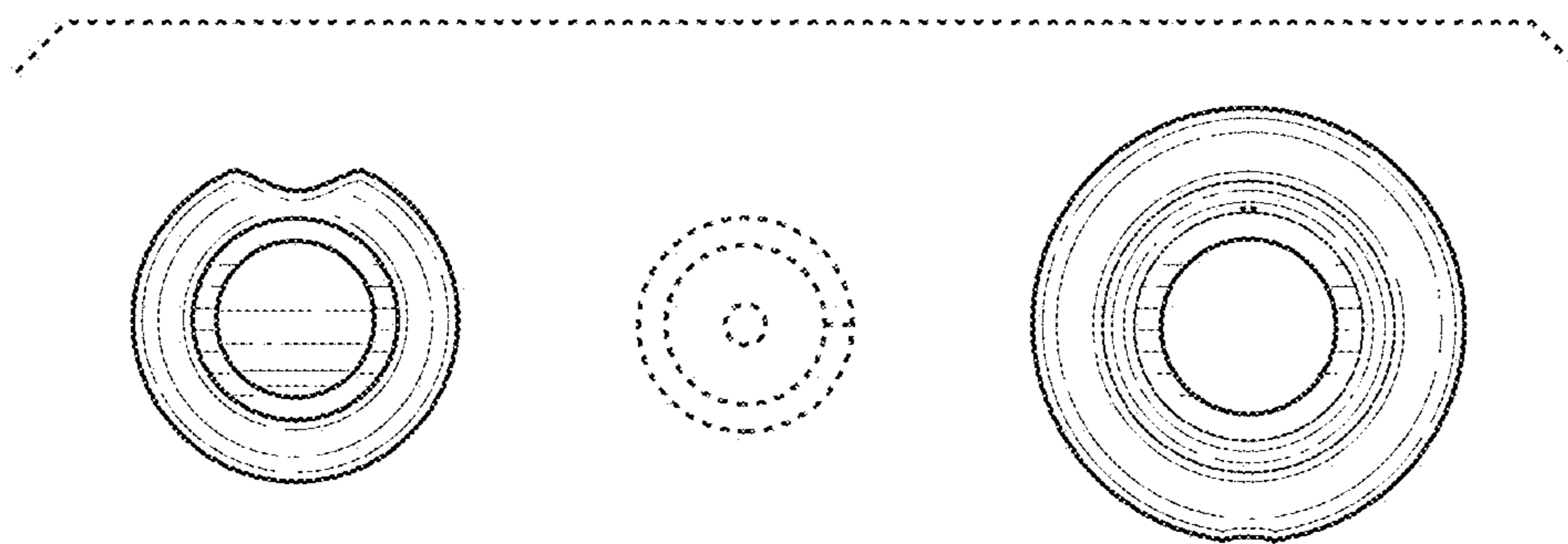


FIG. 7

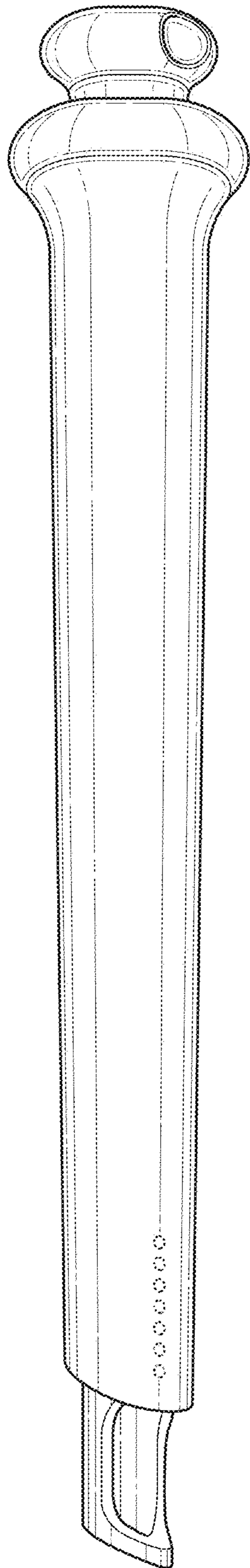


FIG. 8

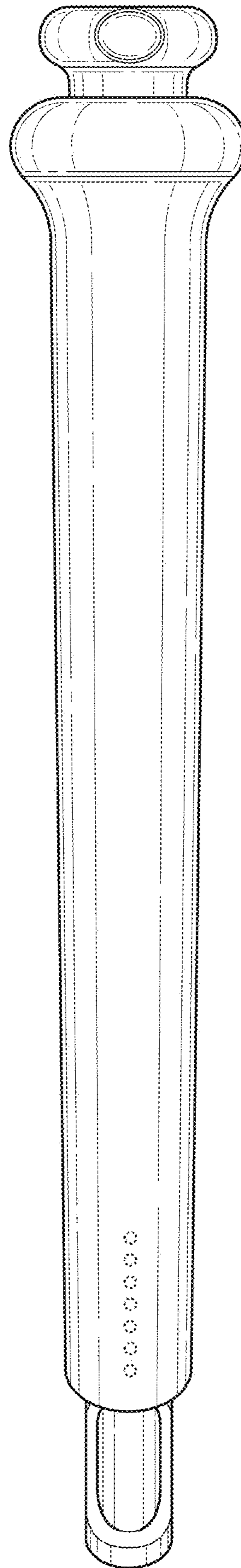


FIG. 9

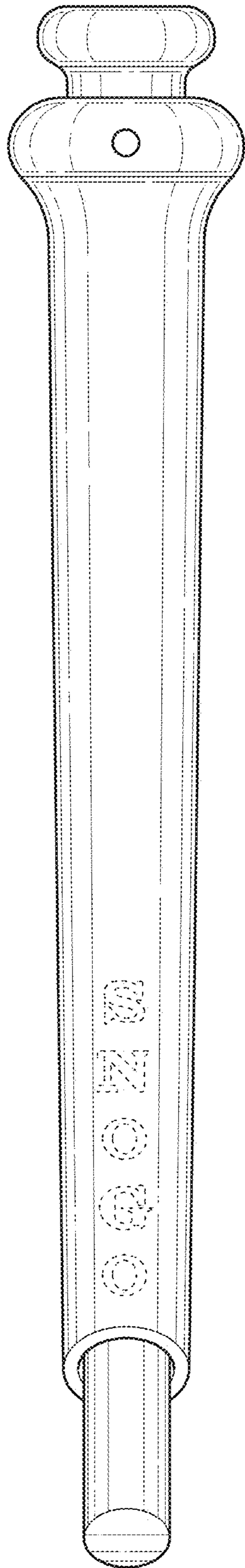


FIG. 10

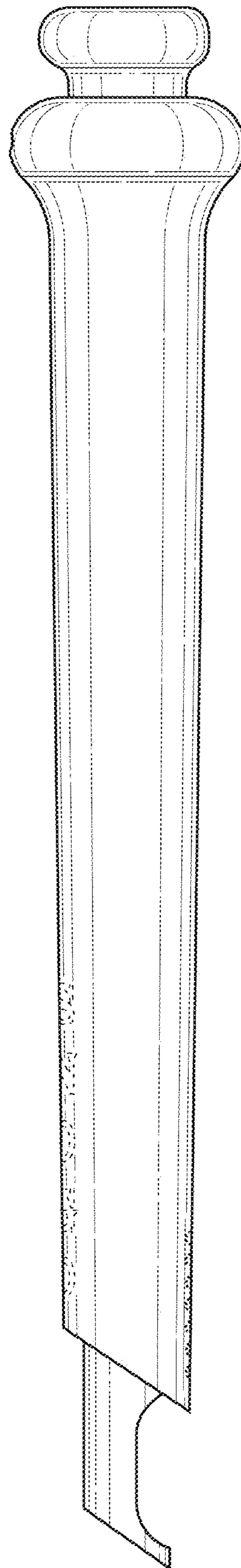


FIG. 11

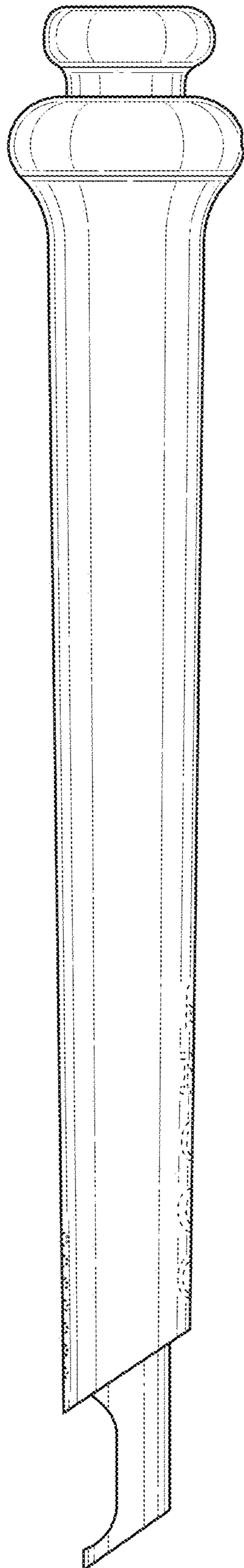


FIG. 12

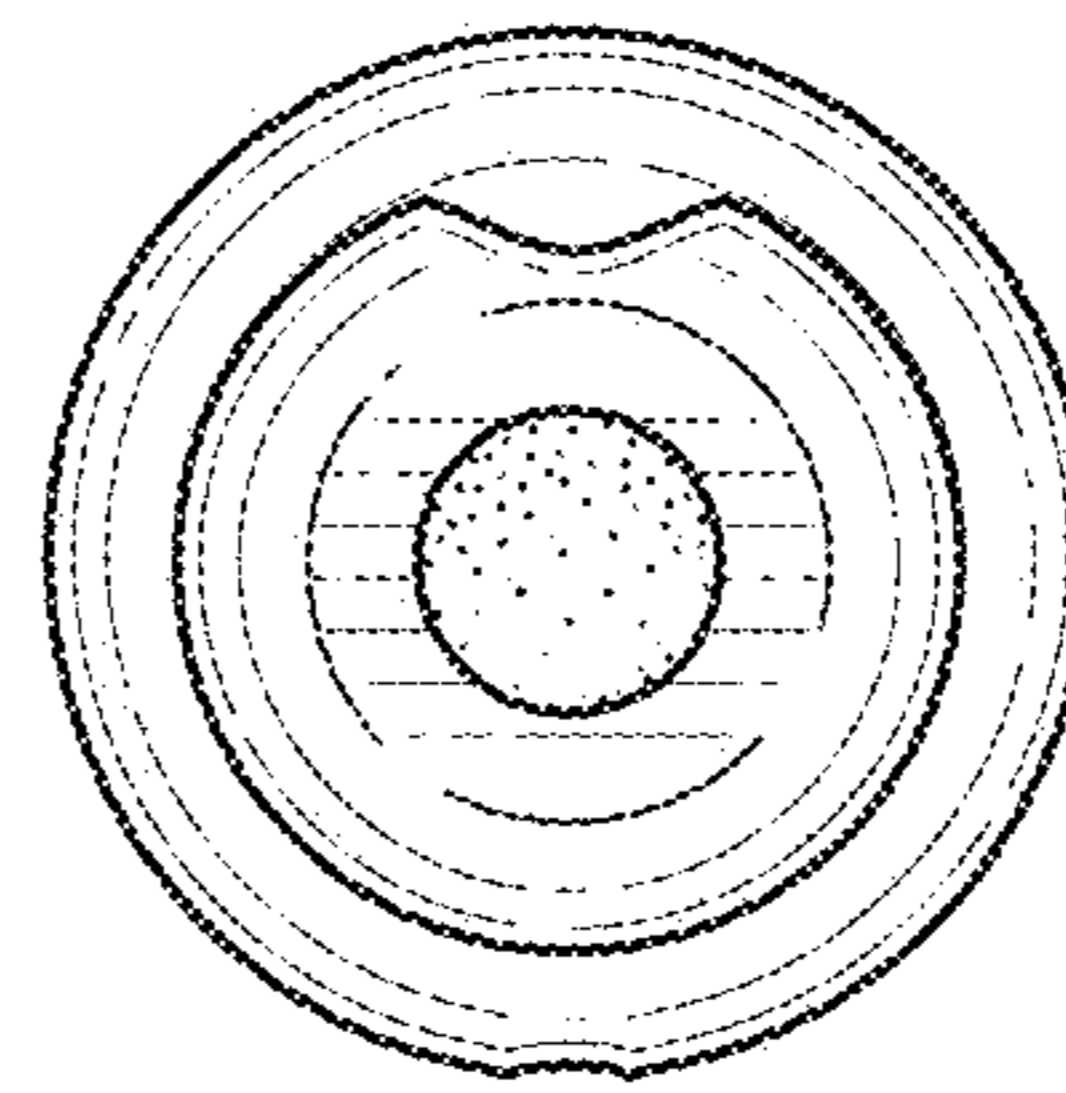


FIG. 13

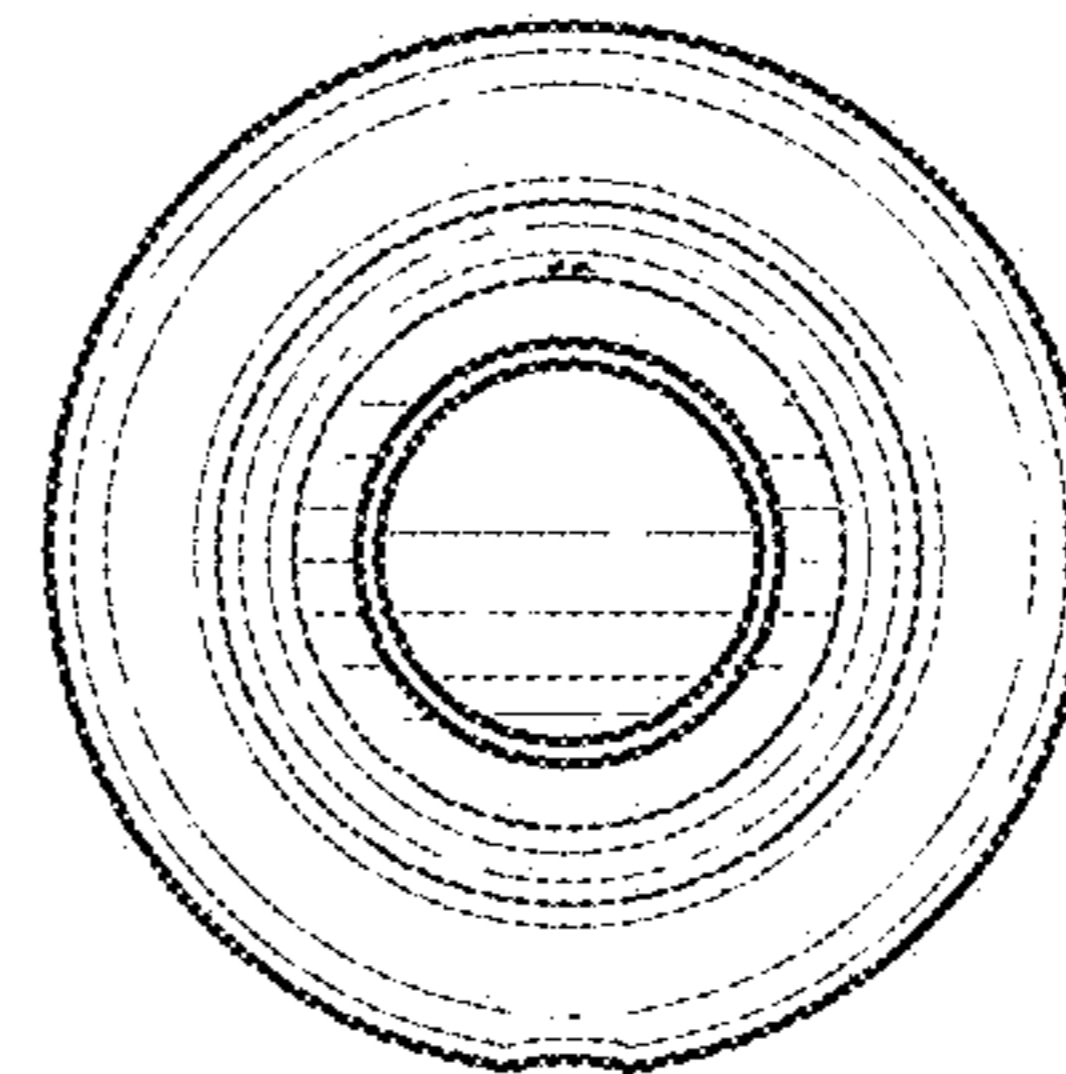


FIG. 14

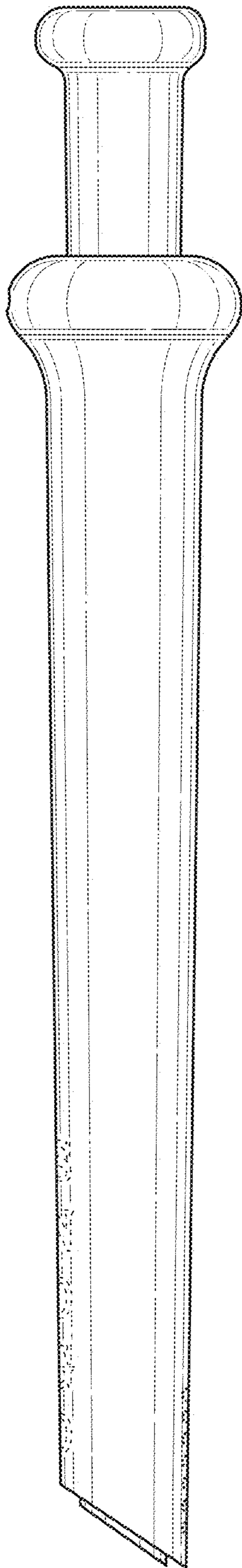


FIG. 15