



US00D943190S

(12) **United States Design Patent**
Shroyer

(10) **Patent No.:** **US D943,190 S**

(45) **Date of Patent:** **** Feb. 8, 2022**

(54) **PERSONAL SMOKE FILTER**

(71) Applicant: **Brandon Shroyer**, Lake Oswego, OR
(US)

(72) Inventor: **Brandon Shroyer**, Lake Oswego, OR
(US)

(73) Assignee: **Shroyer Enterprises, LLC**, Lake
Oswego, OR (US)

(**) Term: **15 Years**

(21) Appl. No.: **29/677,059**

(22) Filed: **Jan. 16, 2019**

(51) **LOC (13) Cl.** **27-99**

(52) **U.S. Cl.**
USPC **D27/194**

(58) **Field of Classification Search**
USPC D27/194, 172, 174; 95/273; 206/236;
131/273, 274, 270, 191, 328, 329, 330,
131/360-365
CPC ... A24D 3/17; A24D 3/04; A24D 3/10; A24D
3/12; A24D 3/00; A24D 1/045; A24D
1/047
See application file for complete search history.

(56) **References Cited**

U.S. PATENT DOCUMENTS

D399,600	S	*	10/1998	Bowen	D27/194
D493,165	S	*	7/2004	Kiple	D14/242
D591,741	S	*	5/2009	Whitehorn	D14/346
D597,090	S	*	7/2009	Bemelmans	D14/341
D620,258	S	*	7/2010	Fahrendorff	D3/299
D679,167	S	*	4/2013	Phill	D8/107
D712,090	S	*	8/2014	Liu	D27/189

D716,304	S	*	10/2014	Orthey	D14/385
D744,303	S	*	12/2015	Marconi	D15/13
D854,238	S	*	7/2019	Gould	D27/194
2008/0202955	A1	*	8/2008	Kutsch	B65D 1/22 206/236

OTHER PUBLICATIONS

<https://www.spacesmokeshop.com/products/smoke-t> (Mar. 13, 2020).*

* cited by examiner

Primary Examiner — Marissa J Cash
Assistant Examiner — Rebecca Tsehaye

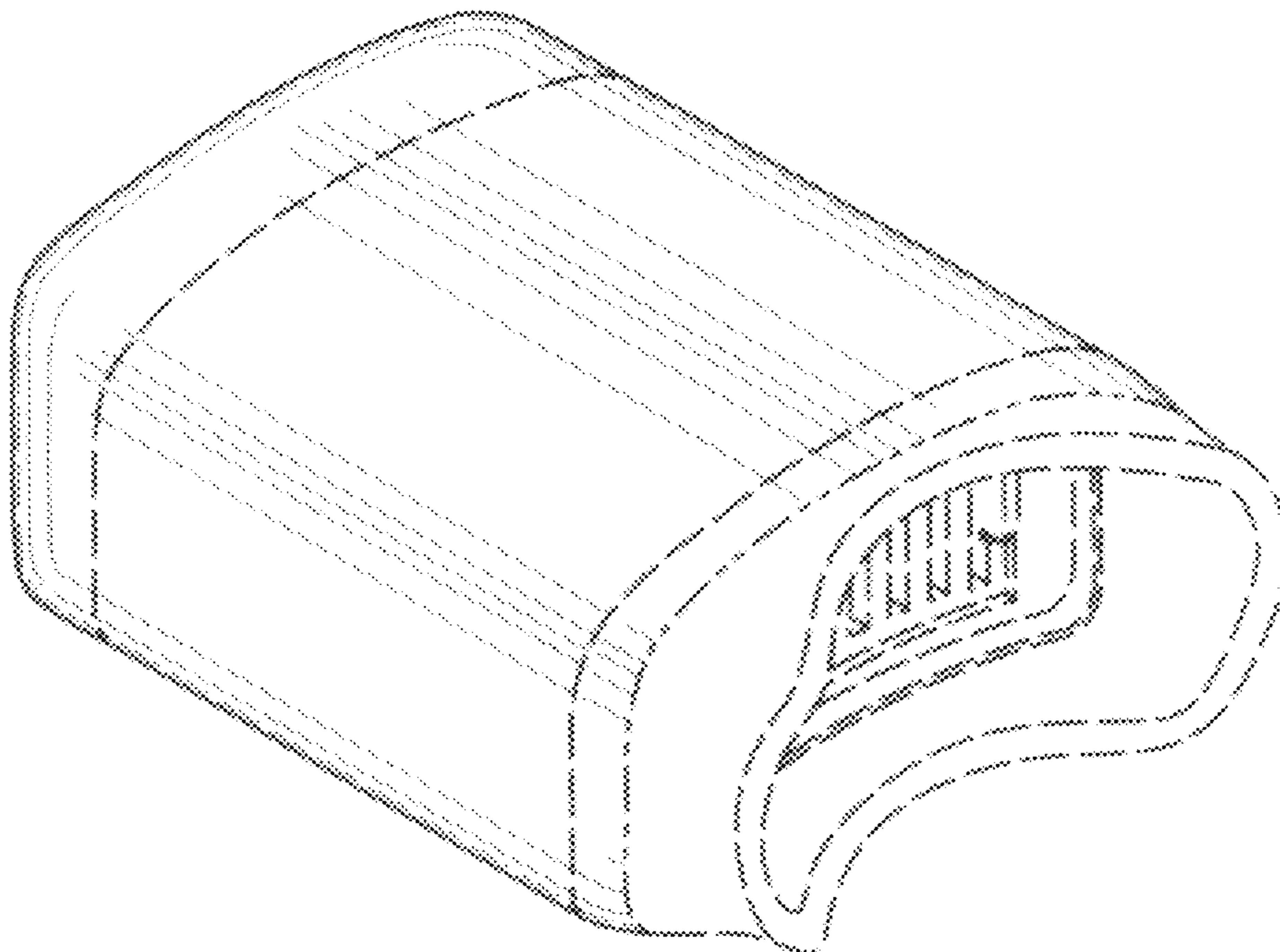
(57) **CLAIM**

The ornamental design for a personal smoke filter, as shown and described.

DESCRIPTION

FIG. 1 is a rear, left, isometric view of the personal smoke filter;
FIG. 2 is a top, plan view thereof;
FIG. 3 is a bottom, plan view thereof;
FIG. 4 is a left, plan view thereof;
FIG. 5 is a right, plan view thereof;
FIG. 6 is a rear, plan view thereof; and,
FIG. 7 is a front, plan view thereof.
In the drawings, the claimed design is defined by the shaded surfaces; broken lines with two small segments between a long segment immediately adjacent shaded surfaces represent boundaries of the claim and form no part thereof; all other broken lines depict unclaimed environmental subject matter and form no part of the claim.

1 Claim, 2 Drawing Sheets



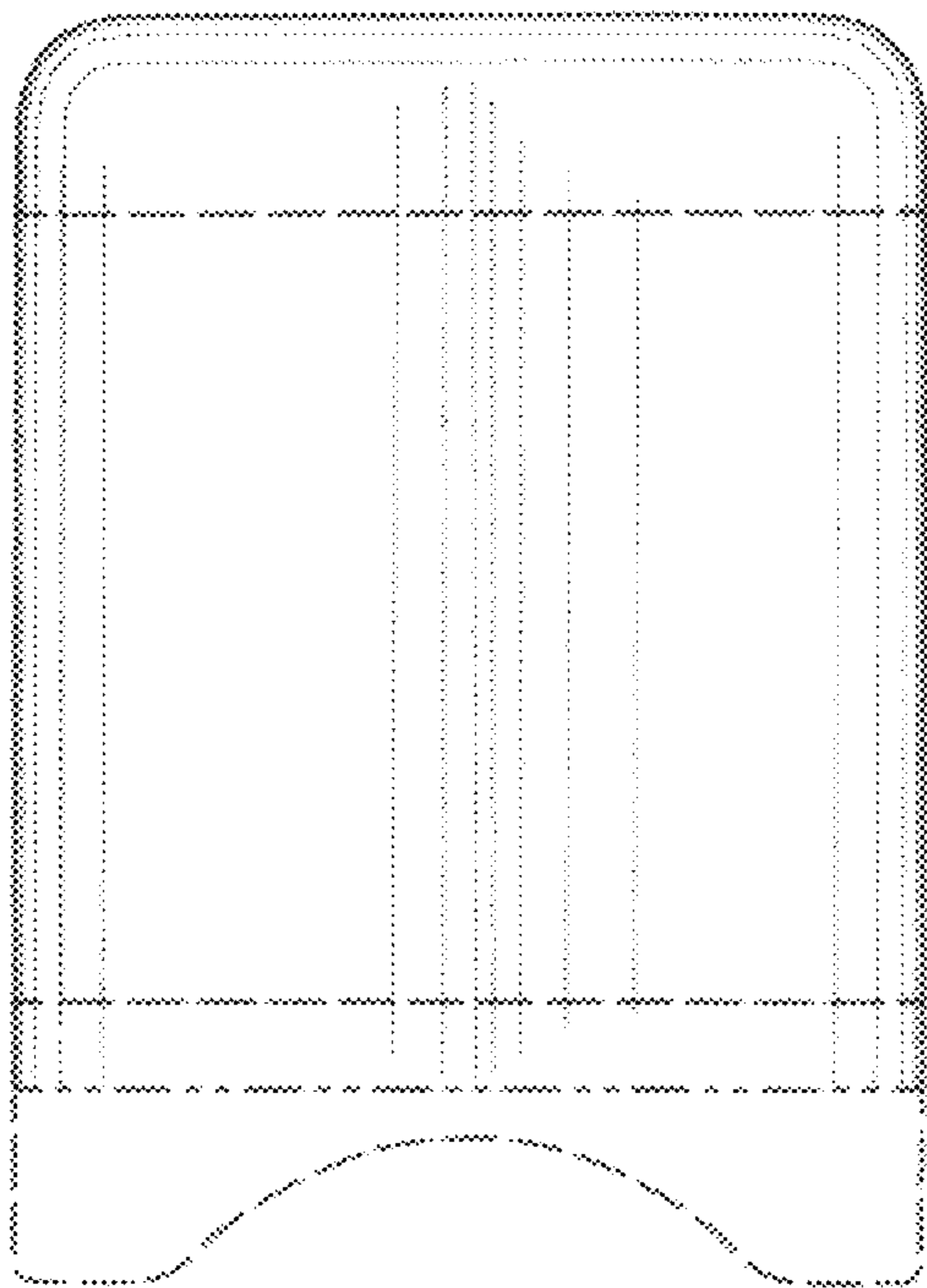
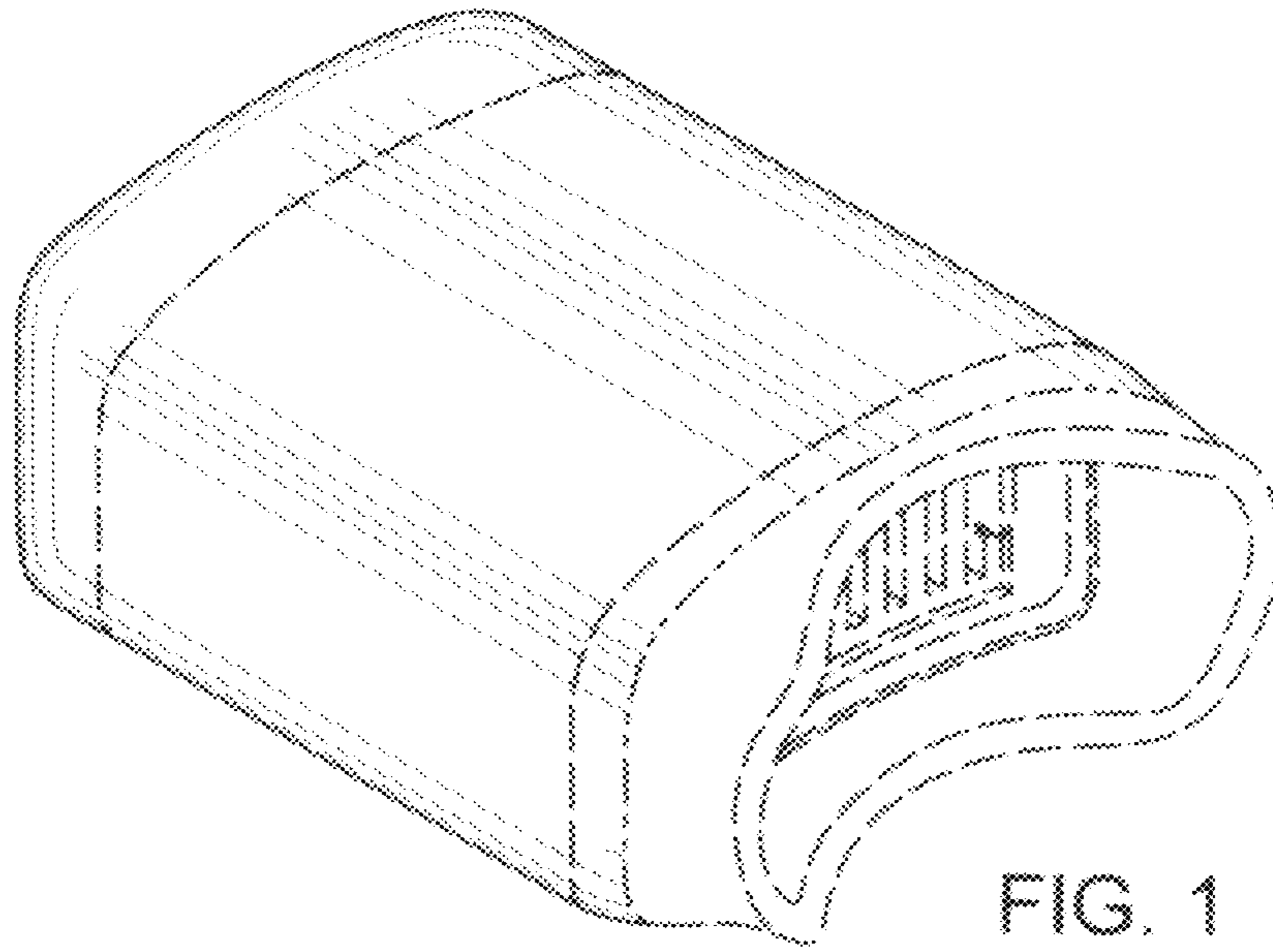


FIG. 2

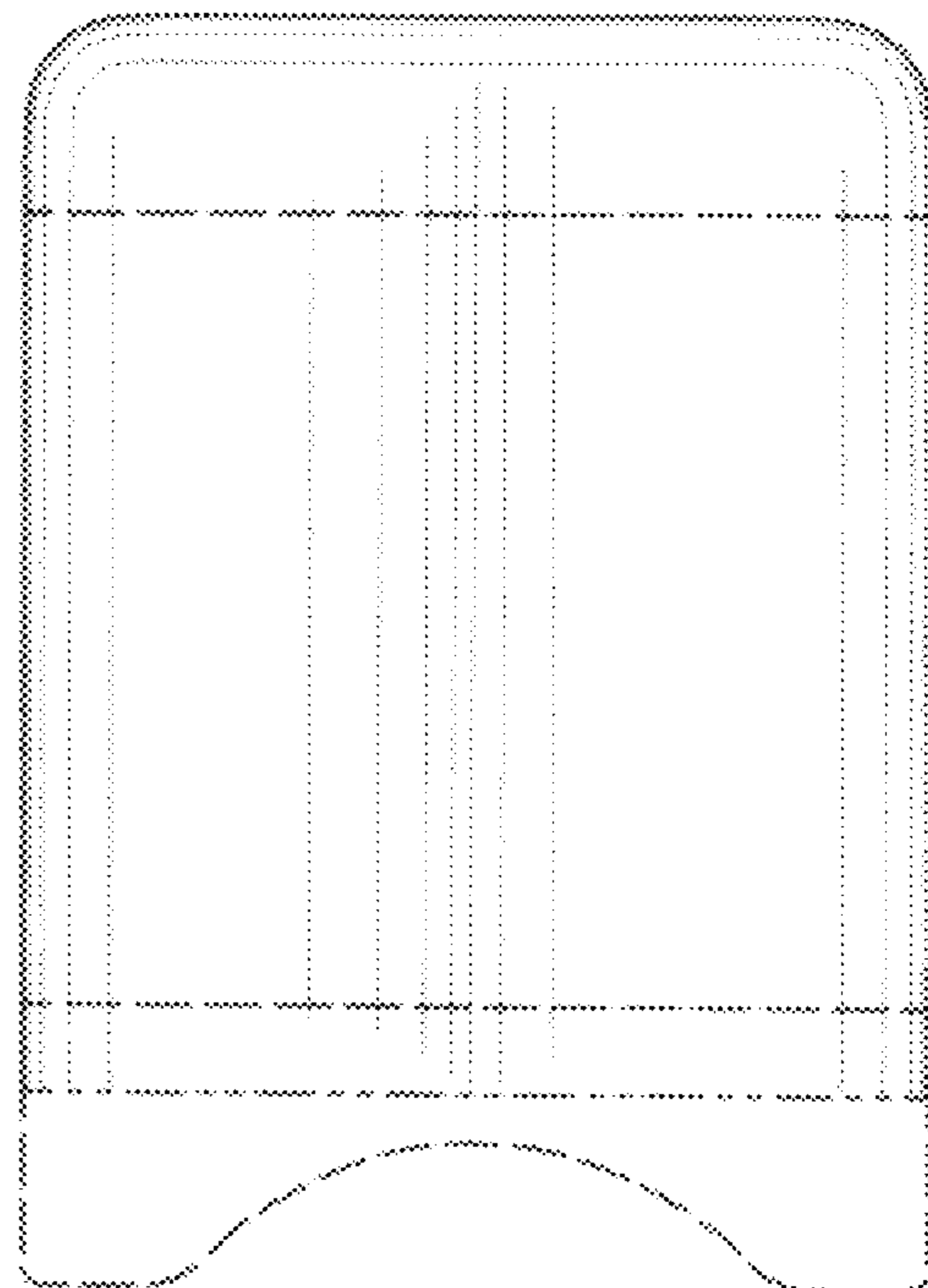


FIG. 3

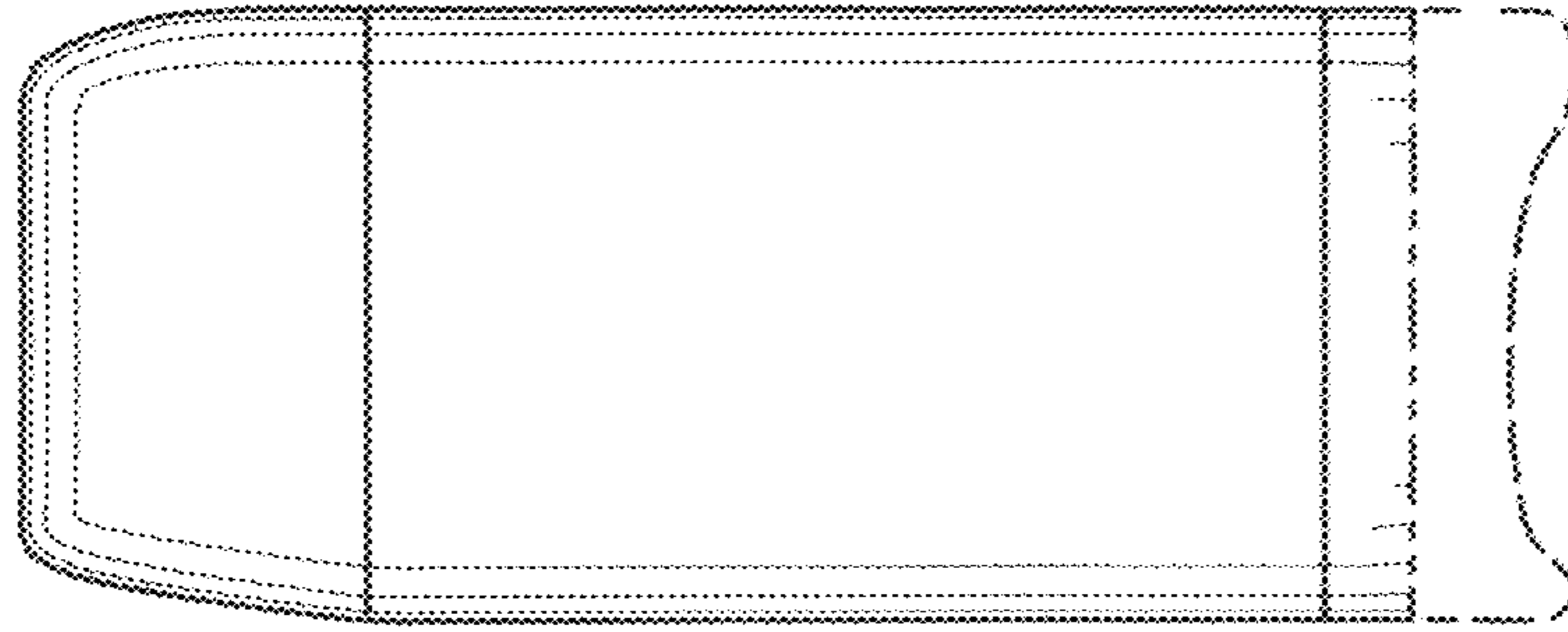


FIG. 4

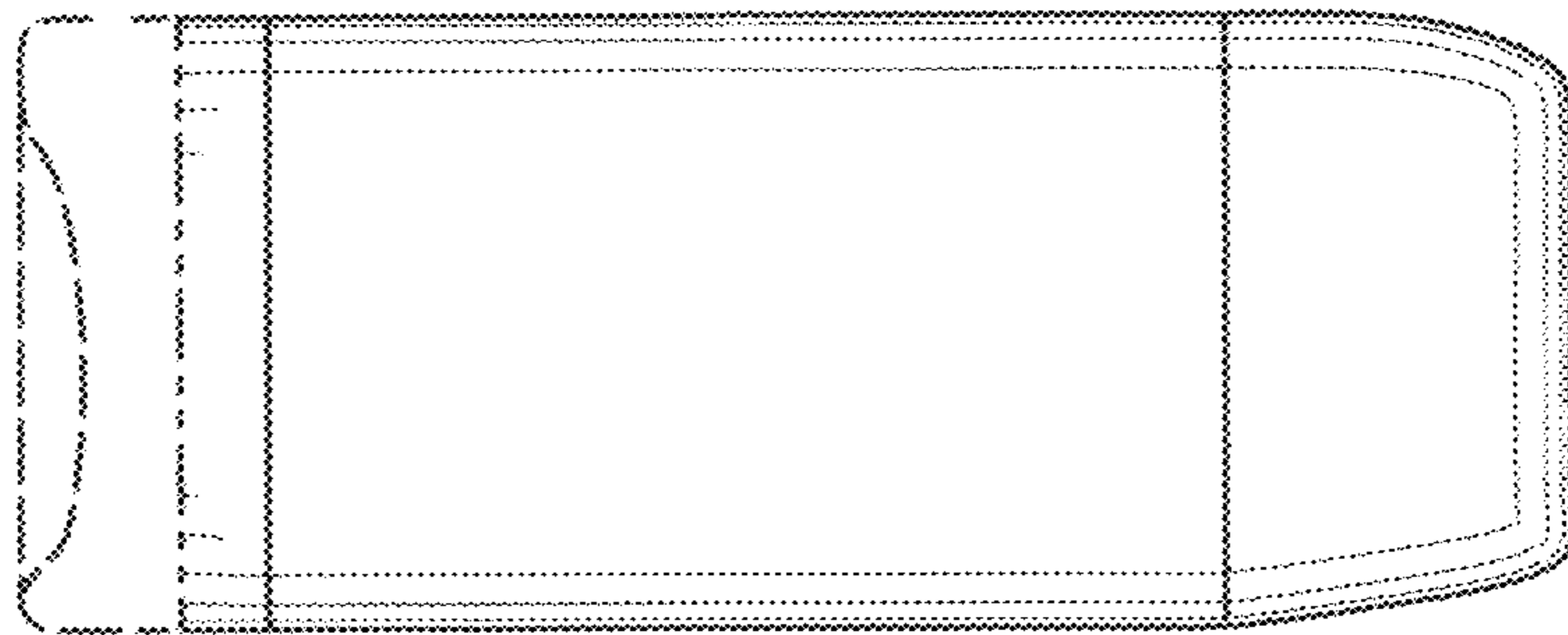


FIG. 5

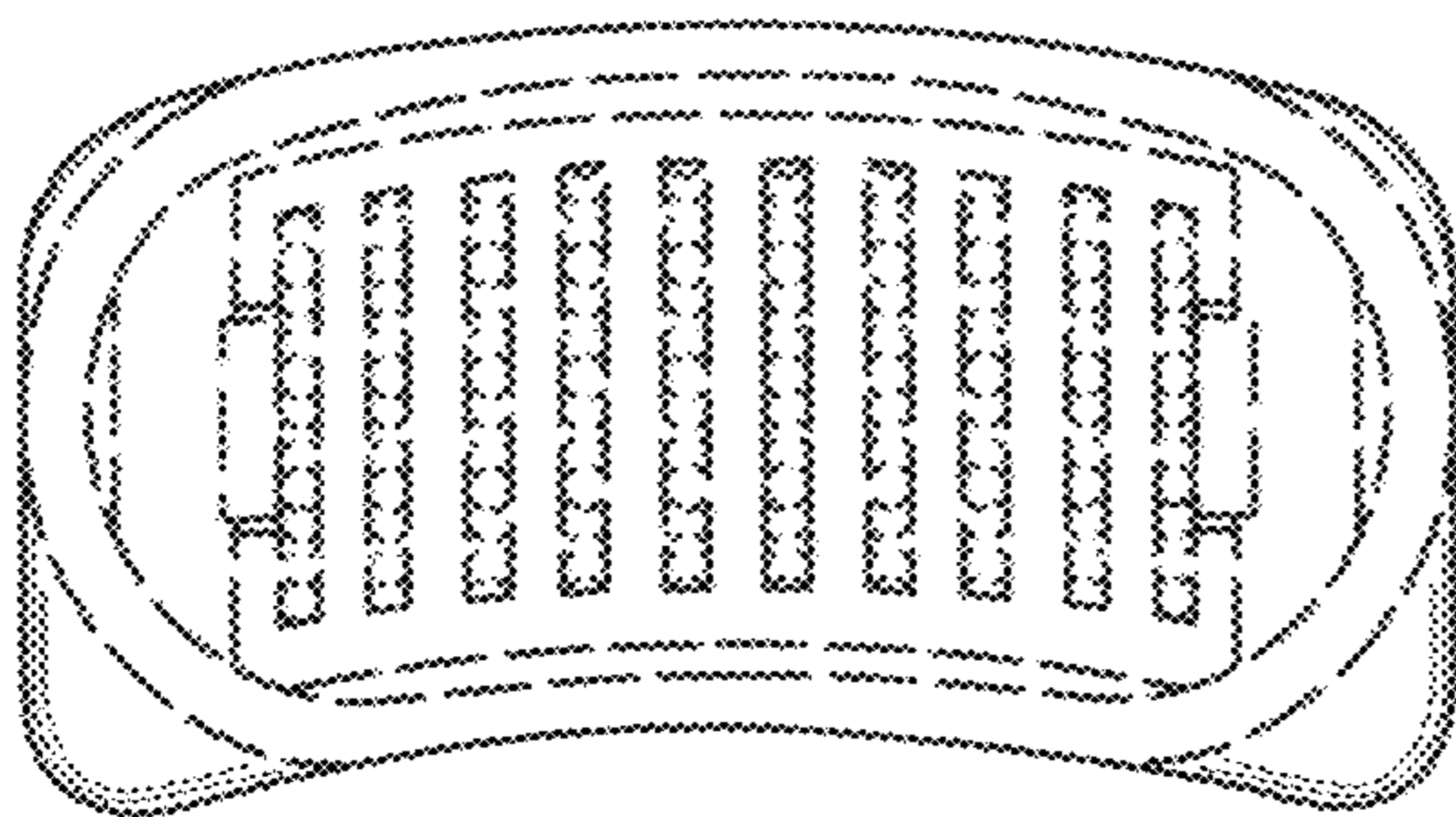


FIG. 6

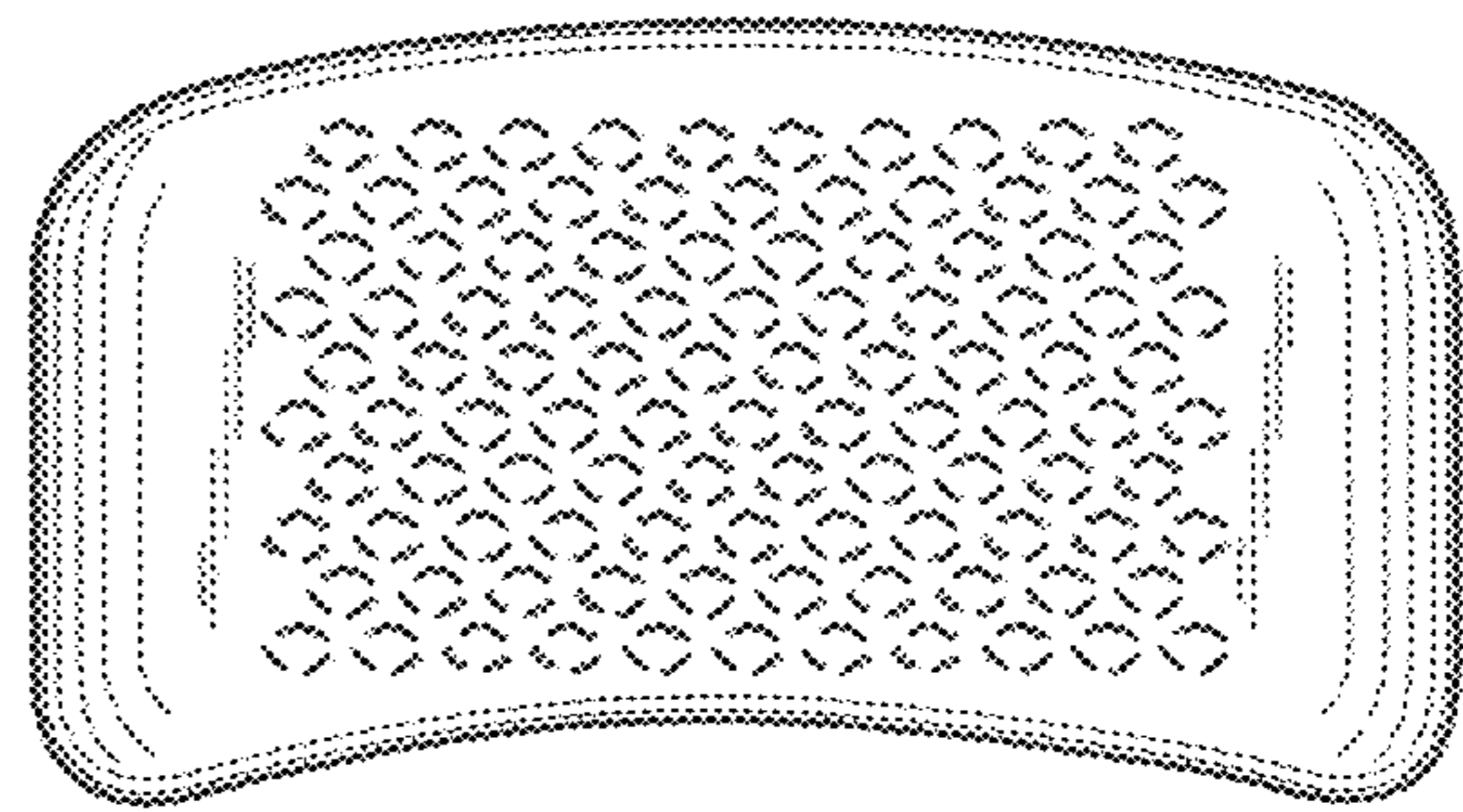


FIG. 7