



US00D943188S

(12) **United States Design Patent** (10) **Patent No.:** **US D943,188 S**
Nadimi (45) **Date of Patent:** **** Feb. 8, 2022**

(54) **TOBACCO CONTAINER**

OTHER PUBLICATIONS

(71) Applicant: **SS IP HOLDINGS, LLC**, Arlington, TX (US)

Tobacco Container by Sayyid Nadimi: found on line Pipe Accessories: Extra Small Cvault Humidified Tobacco Container Jun. 27, 2017 https://www.smokingpipes.com/accessories/pipe%20accessories/moreinfo.cfm?product_id=214240 Jun. 27, 2017.*

(72) Inventor: **Sayyid Nadimi**, Arlington, TX (US)

Tobacco Container by Sayyid Nadimi: Transparent Round Plastic Bowl With Lid | 500 ML (Aug. 16, 2020) <https://www.pirsq.com/disposable-food-containers/food-plastic-container/1511004997000/> (Aug. 16, 2020).*

(**) Term: **15 Years**

(21) Appl. No.: **29/643,680**

* cited by examiner

(22) Filed: **Apr. 10, 2018**

(51) **LOC (13) Cl.** **27-06**

Primary Examiner — Rebecca Tsehaye

(52) **U.S. Cl.**

(74) *Attorney, Agent, or Firm* — Law Office of Sam Sokhansanj PLLC

USPC **D27/183**

(58) **Field of Classification Search**

USPC D27/183, 172, 174, 175, 185–187, 189, D27/190, 191, 329; 131/329; 206/242, 206/265, 269, 270; D9/549, 551, 564, D9/905

(57) **CLAIM**

CPC A24F 47/00; A24F 47/23; A24F 47/02
See application file for complete search history.

The ornamental design for a tobacco container, as shown and described.

(56) **References Cited**

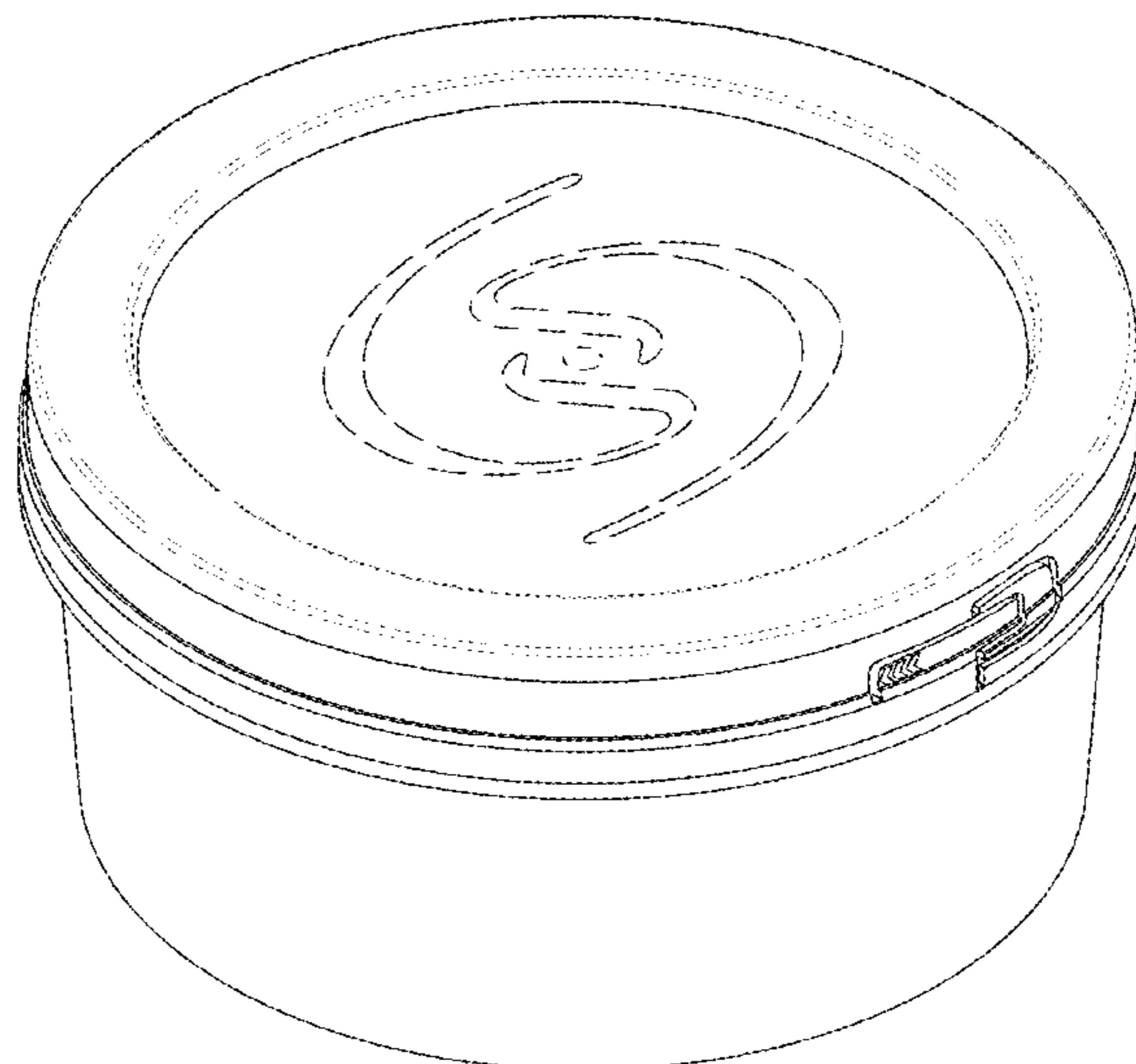
DESCRIPTION

U.S. PATENT DOCUMENTS

D373,847 S *	9/1996	Gottvald	D27/189
D494,474 S *	8/2004	Houk	D27/190
7,798,319 B1 *	9/2010	Bried	B65D 51/16
				206/242
D625,047 S *	10/2010	Gibson	D27/183
D626,687 S *	11/2010	Gibson	D27/183
D651,519 S *	1/2012	Gibson	D9/529
8,250,975 B2 *	8/2012	Cronin	B65D 21/08
				100/233
D683,498 S *	5/2013	Ghiotti	D27/186
D686,513 S *	7/2013	Henriksson	D9/504
8,567,597 B2 *	10/2013	Gibson	A24F 23/00
				206/236
8,763,799 B2 *	7/2014	Haidar	A24F 23/00
				206/242
D802,836 S *	11/2017	Ghiotti	D27/186
D804,721 S *	12/2017	Ghiotti	D27/186
D814,924 S *	4/2018	Georgiadis	D9/428
D870,371 S *	12/2019	Storz	D27/167

FIG. 1 illustrates a perspective top view for one embodiment of the tobacco container.
FIG. 2 illustrates a rear view of the tobacco container of FIG. 1.
FIG. 3 illustrates a front view of the tobacco container of FIG. 1.
FIG. 4 illustrates a right side view of the tobacco container of FIG. 1.
FIG. 5 illustrates a left side view of the tobacco container of FIG. 1.
FIG. 6 illustrates a top view of the tobacco container of FIG. 1; and,
FIG. 7 illustrates a bottom view of the tobacco container of FIG. 1.
The broken lines in the drawings depict portions of the tobacco container that form no part of the claimed design.

1 Claim, 7 Drawing Sheets



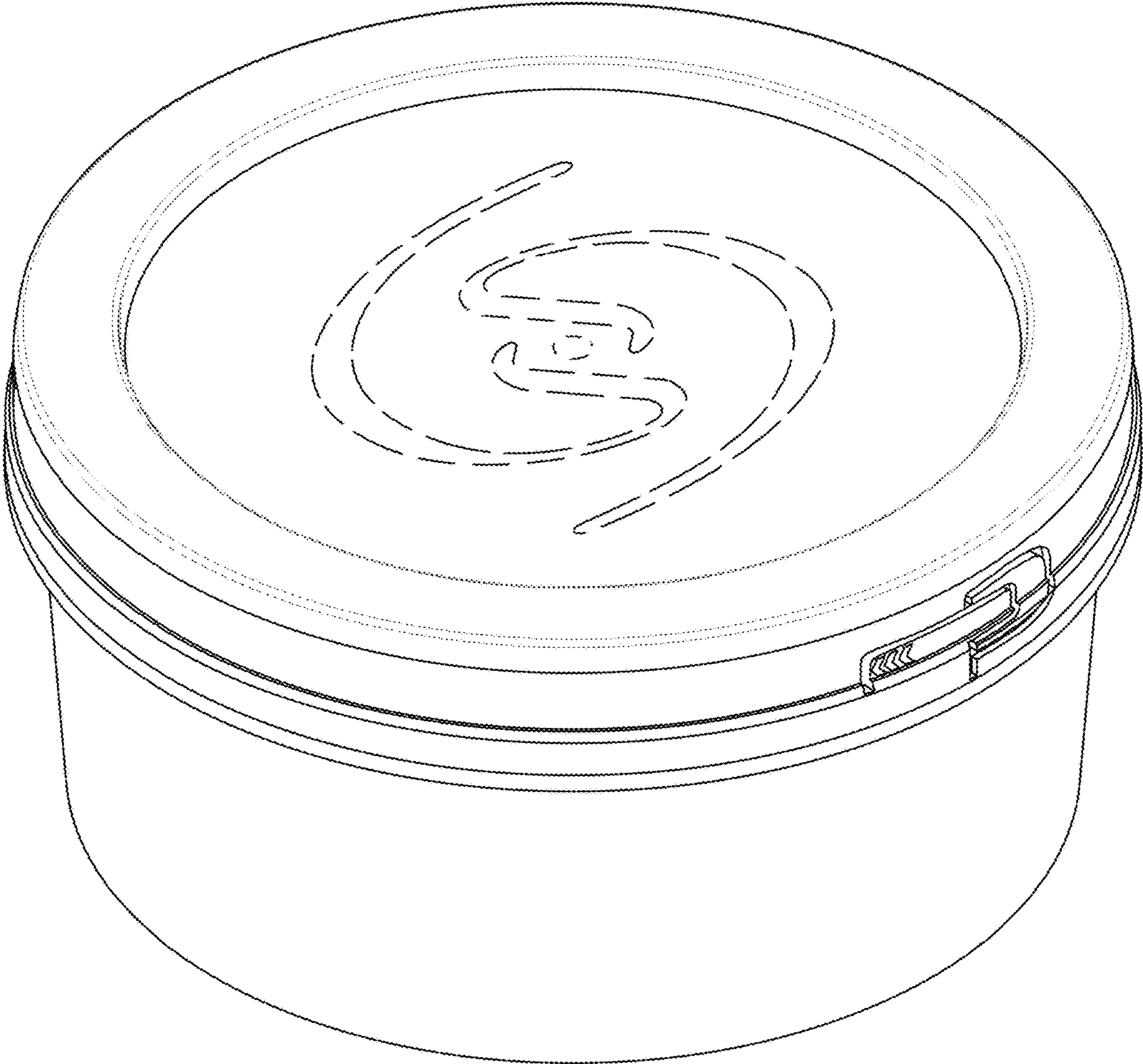


FIG. 1

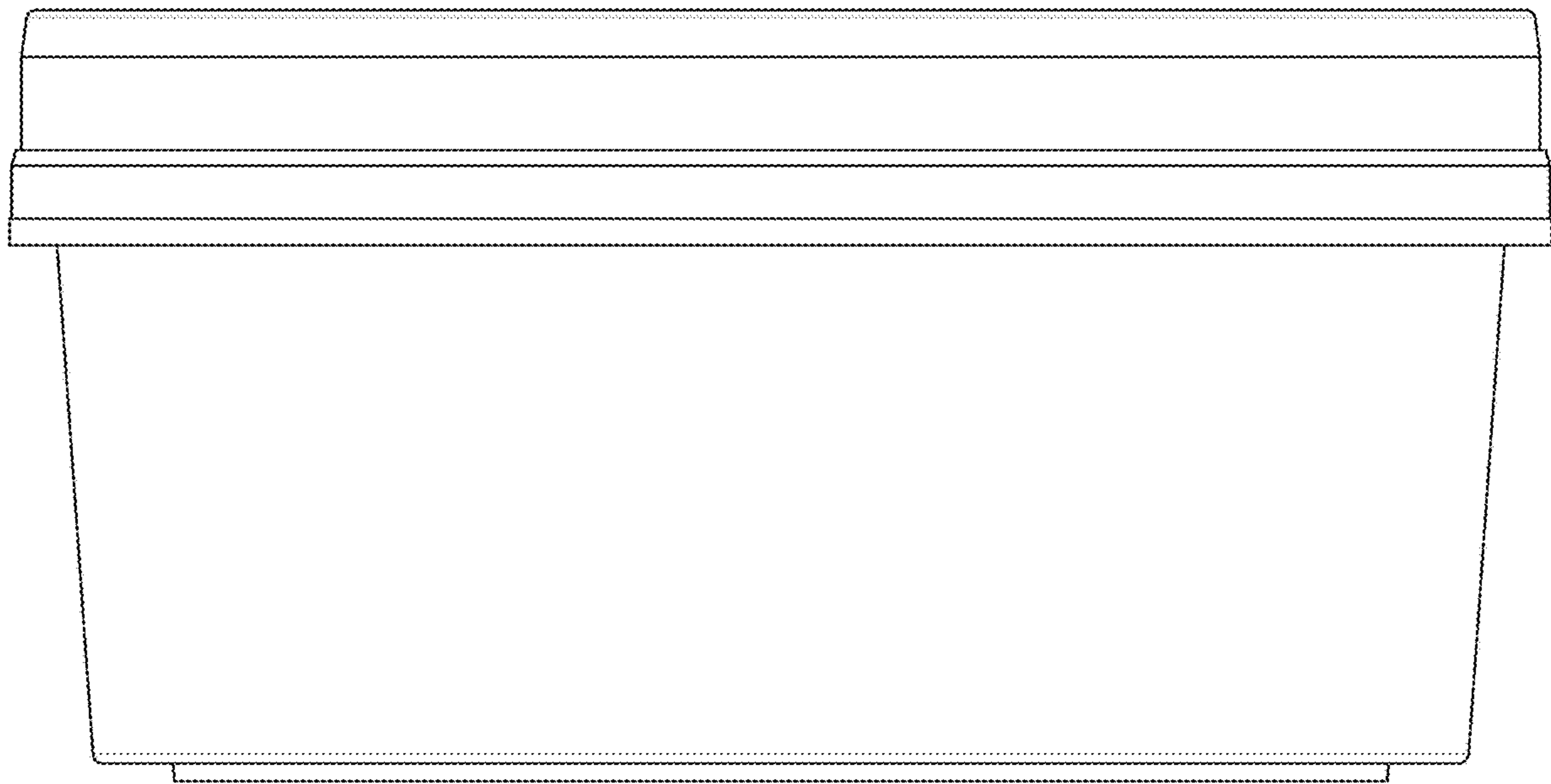


FIG. 2

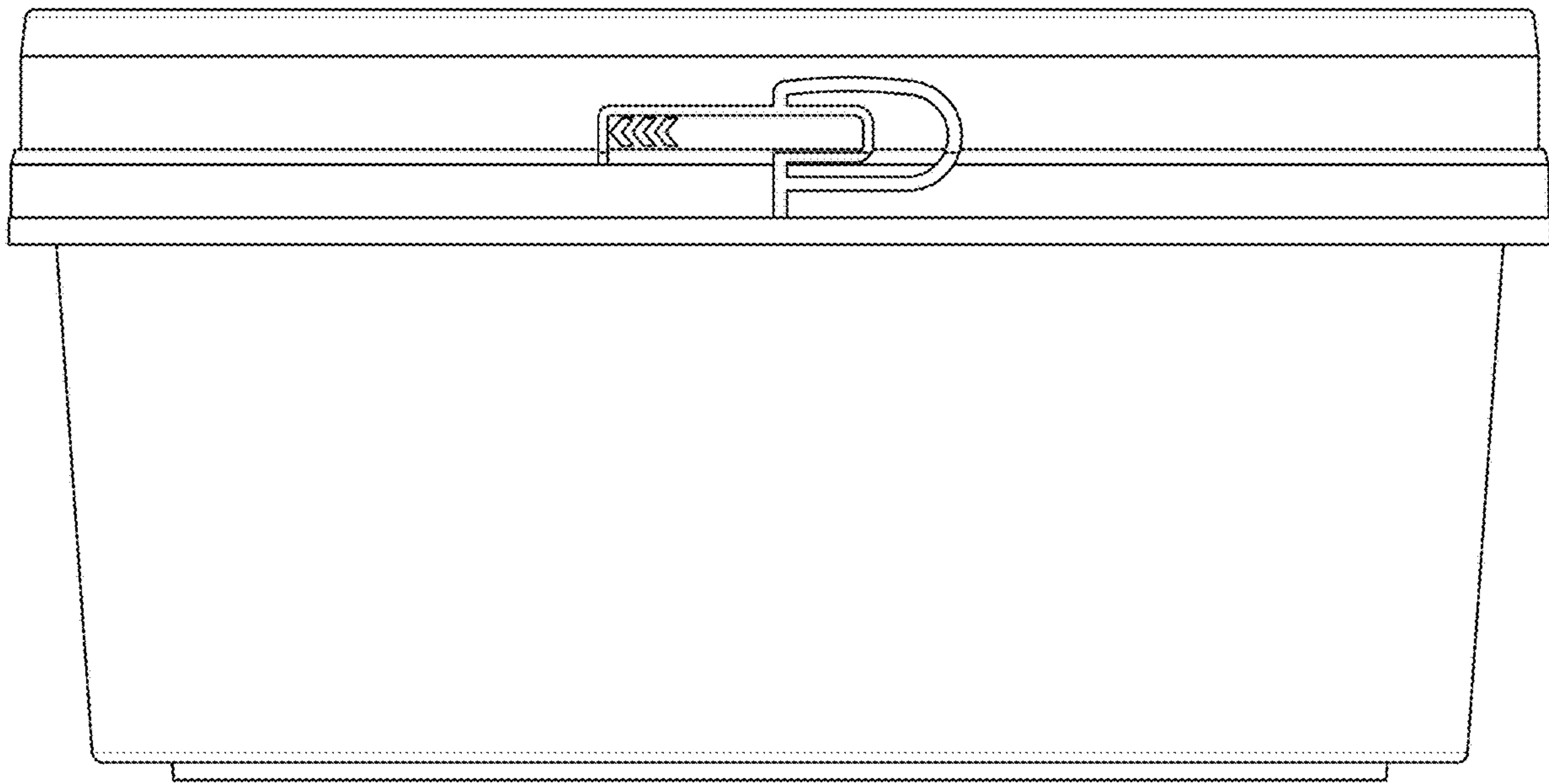


FIG. 3

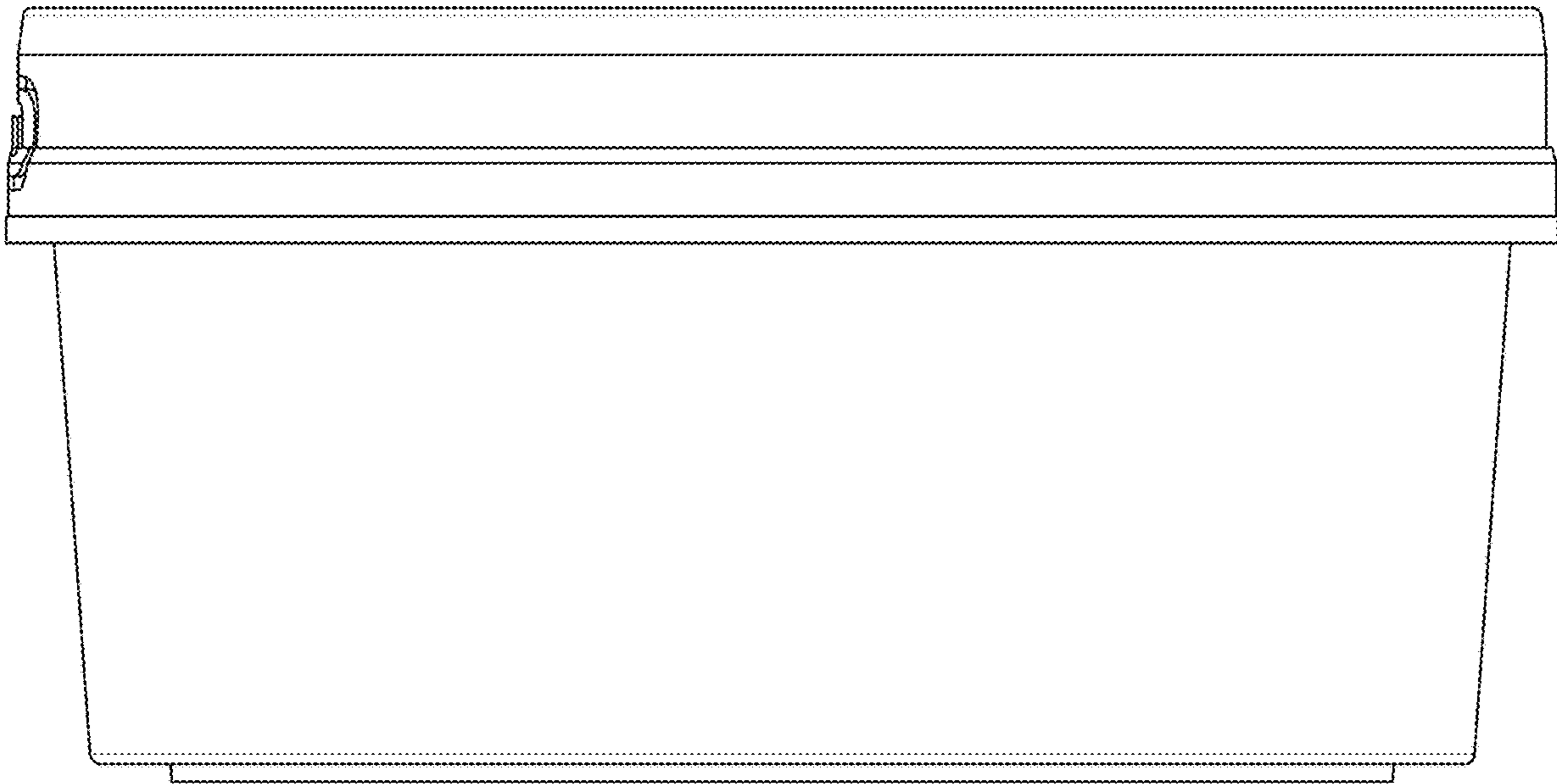


FIG. 4

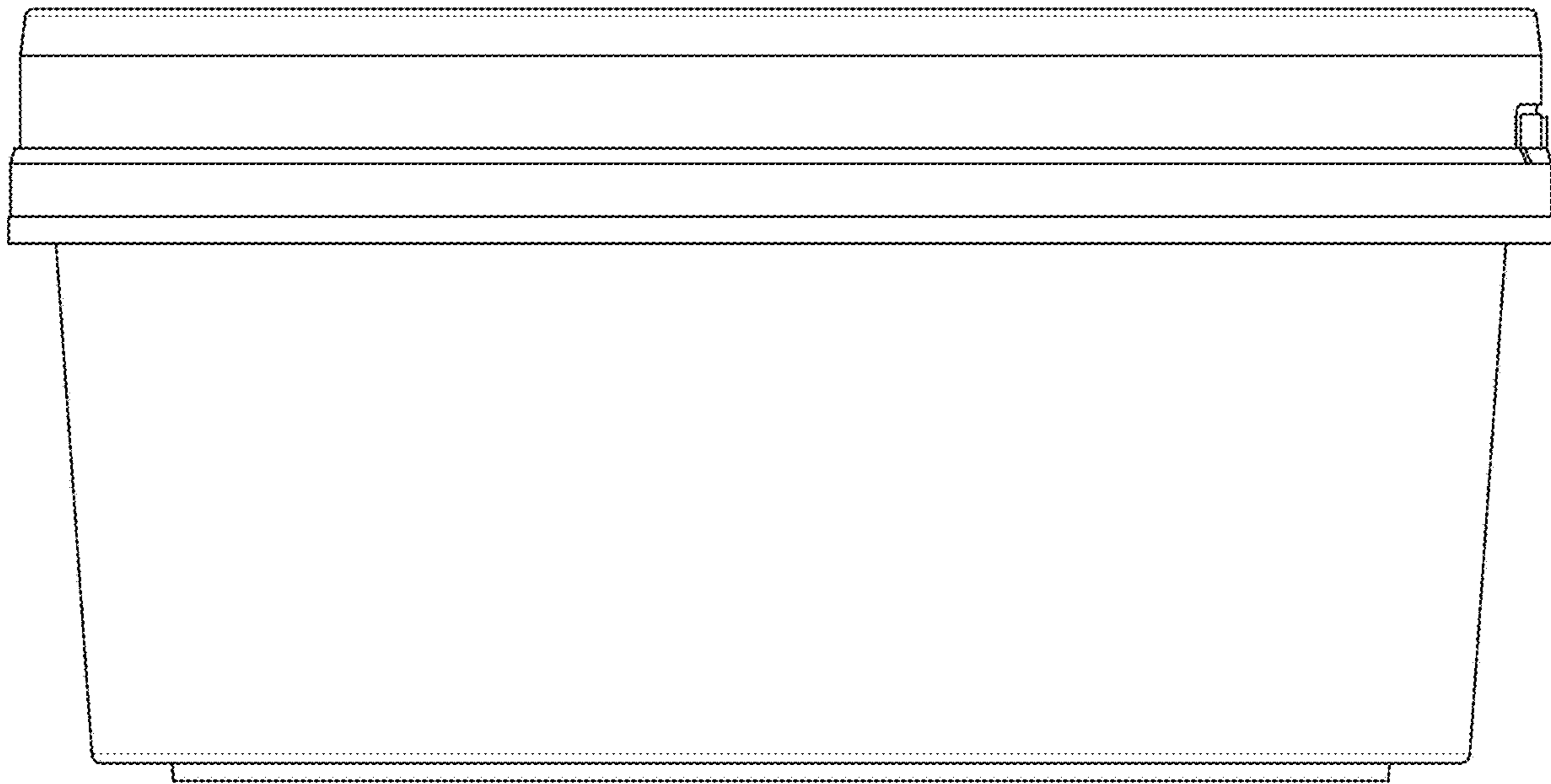


FIG. 5

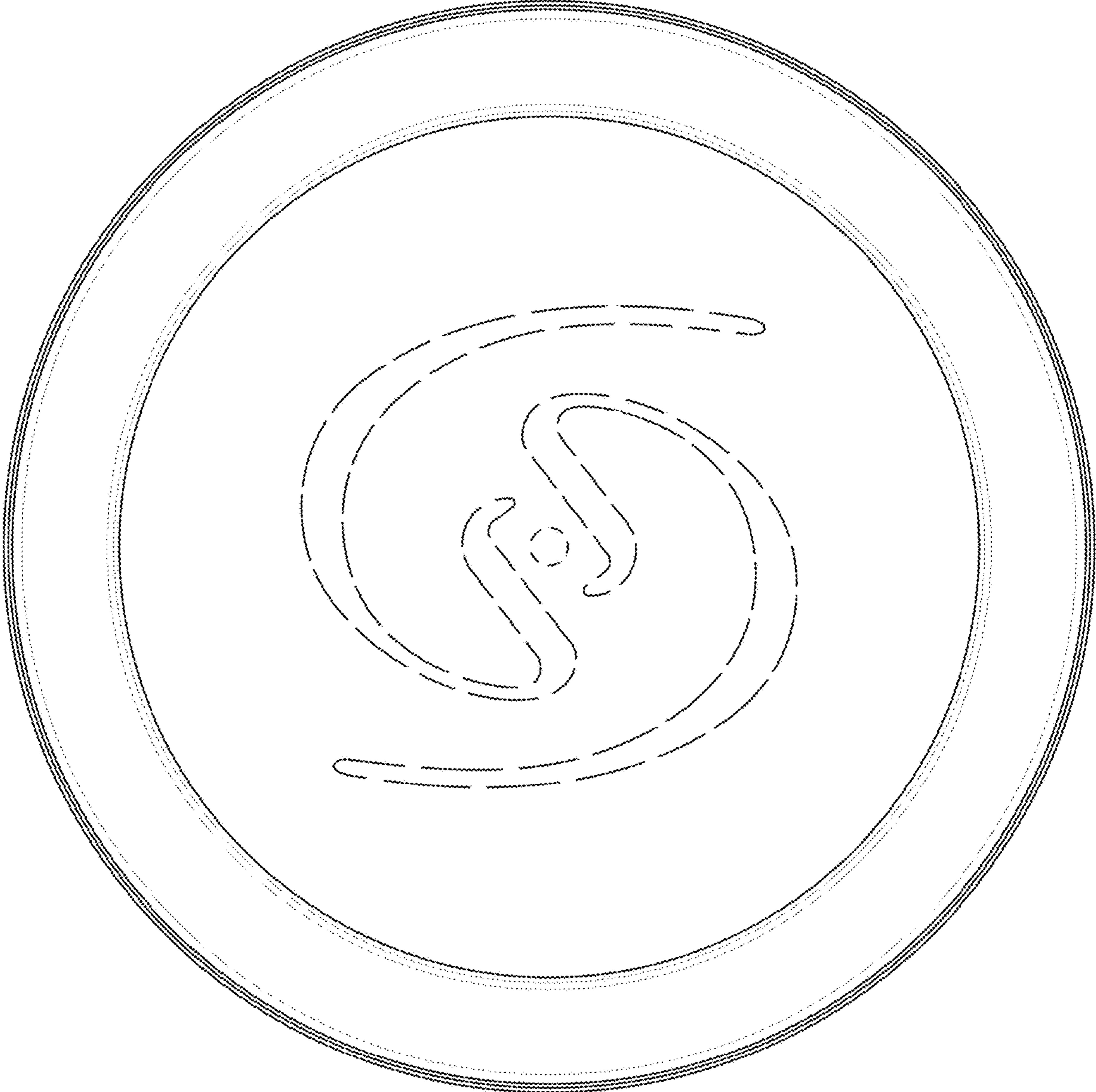


FIG. 6



FIG. 7