



US00D943186S

(12) **United States Design Patent**  
**Gao**

(10) **Patent No.: US D943,186 S**

(45) **Date of Patent: \*\* Feb. 8, 2022**

(54) **FUNNEL BOWL**

(71) Applicant: **Junming Gao**, Taiyuan (CN)

(72) Inventor: **Junming Gao**, Taiyuan (CN)

(\*\*) Term: **15 Years**

(21) Appl. No.: **29/770,932**

(22) Filed: **Feb. 18, 2021**

(51) **LOC (13) Cl.** ..... **27-02**

(52) **U.S. Cl.**  
USPC ..... **D27/167; D7/700**

(58) **Field of Classification Search**  
USPC ..... D27/167, 194; D7/700  
CPC ..... A24F 5/00; A24F 2700/08  
See application file for complete search history.

(56) **References Cited**

**U.S. PATENT DOCUMENTS**

|                   |         |            |       |           |
|-------------------|---------|------------|-------|-----------|
| D263,715 S *      | 4/1982  | Walter     | ..... | D15/199   |
| D346,877 S *      | 5/1994  | Melograno  | ..... | D27/168   |
| D498,992 S *      | 11/2004 | Bloom      | ..... | D7/700    |
| D541,116 S *      | 4/2007  | Upham      | ..... | D7/700    |
| D560,106 S *      | 1/2008  | Curtin     | ..... | D7/700    |
| D646,531 S *      | 10/2011 | Murphy     | ..... | D7/700    |
| D662,654 S *      | 6/2012  | Trudnowski | ..... | D27/167   |
| D718,990 S *      | 12/2014 | Hester     | ..... | D7/700    |
| D783,209 S *      | 4/2017  | Morris     | ..... | D30/121   |
| 9,930,911 B1 *    | 4/2018  | Wright     | ..... | A24F 5/00 |
| D832,664 S        | 11/2018 | Degerland  |       |           |
| D845,722 S *      | 4/2019  | Kasting    | ..... | D7/700    |
| D868,550 S        | 12/2019 | Steel      |       |           |
| D883,045 S *      | 5/2020  | Fudge      | ..... | A24F 5/00 |
|                   |         |            |       | D7/700    |
| D912,511 S *      | 3/2021  | Berry      | ..... | A24F 1/30 |
|                   |         |            |       | D9/436    |
| 2007/0215164 A1 * | 9/2007  | Mehio      | ..... | A24F 1/30 |
|                   |         |            |       | 131/173   |
| 2010/0101591 A1 * | 4/2010  | Rosso      | ..... | A24F 9/02 |
|                   |         |            |       | 131/247   |
| 2012/0111345 A1 * | 5/2012  | Sweitzer   | ..... | A24F 1/30 |
|                   |         |            |       | 131/173   |

**OTHER PUBLICATIONS**

Wish website, Handmade Male Glass Funnel Bowl, Publication date unknown, [site visited Sep. 8, 2021], Available on the Internet URL [https://www.wish.com/product/handmade-male-glass-funnel-bowl-14mm-for-b0ng4-pack-5da588b5b690a212aa6a614b?hide\\_login\\_modal=true&share=web](https://www.wish.com/product/handmade-male-glass-funnel-bowl-14mm-for-b0ng4-pack-5da588b5b690a212aa6a614b?hide_login_modal=true&share=web) (Year: 2021).\*

Vape Vet Store website, Bong Funnel Bowl Piece, Publication date unknown, [site visited Sep. 8, 2021], Available on the Internet URL <https://vapevetstore.com/products/bong-funnel-bowl-piece?variant=13612888653903> (Year: 2021).\*

(Continued)

*Primary Examiner* — S. Bryan Reinholdt, Jr.

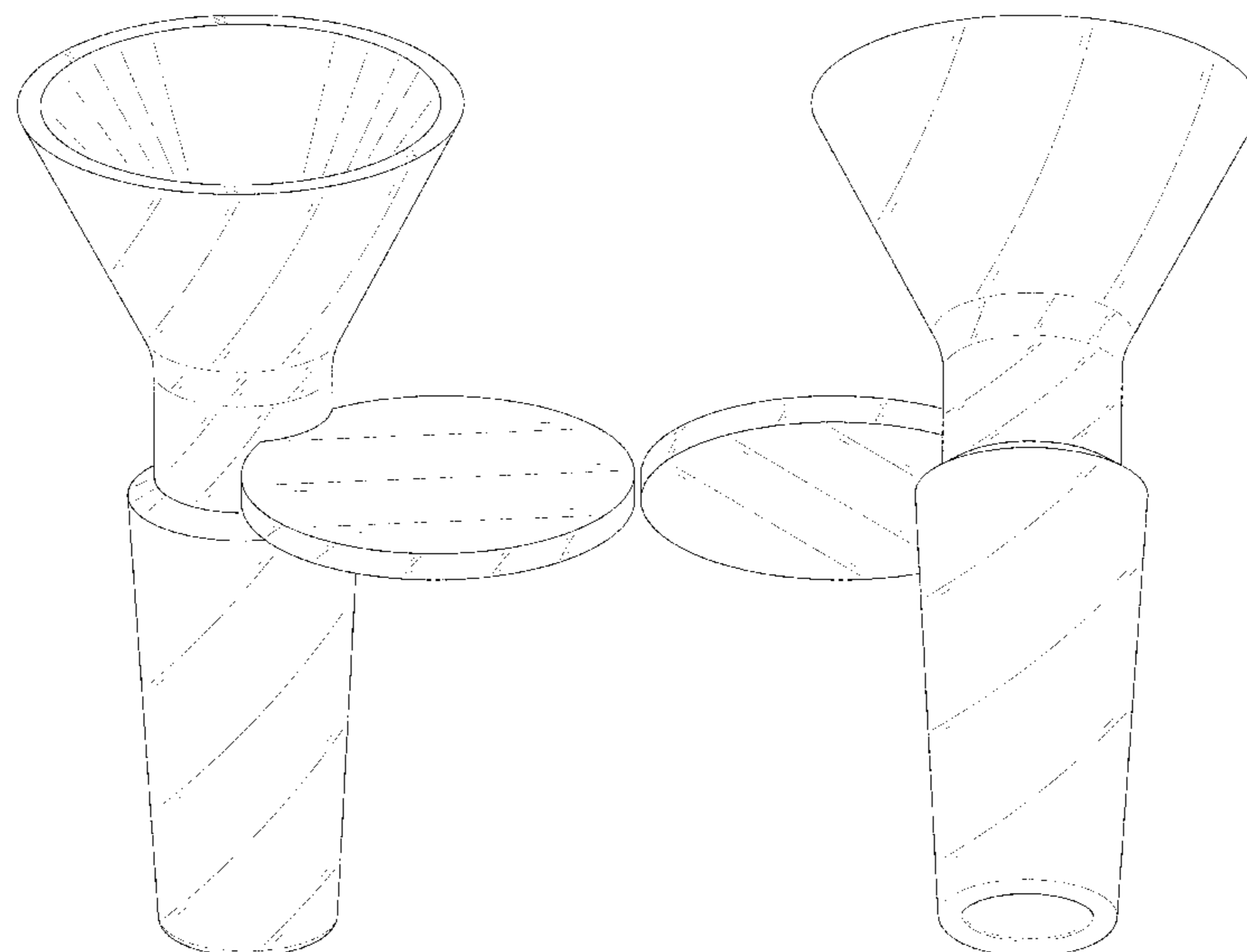
(57) **CLAIM**

The ornamental design for a funnel bowl, as shown and described.

**DESCRIPTION**

FIG. 1 is a perspective view of a funnel bowl showing my new design;  
FIG. 2 is another perspective view thereof;  
FIG. 3 is another perspective view thereof;  
FIG. 4 is a front elevational view thereof;  
FIG. 5 is a rear elevational view thereof;  
FIG. 6 is a left side elevational view thereof;  
FIG. 7 is a right side elevational view thereof;  
FIG. 8 is a top plan view thereof; and,  
FIG. 9 is a bottom plan view thereof.  
The broken lines in the drawings depict portions of the funnel bowl that form no part of the claimed design. The oblique shade lines in the drawings depict a surface that is translucent.

**1 Claim, 9 Drawing Sheets**



(56)

**References Cited**

OTHER PUBLICATIONS

14mm Blue Funnel Bowl, Publication date unknown, [site visited Sep. 8, 2021], Available on the Internet URL <http://toker2.com/product/14mm-bowl-snapper-reversal-bowl/> (Year: 2021).\*

\* cited by examiner

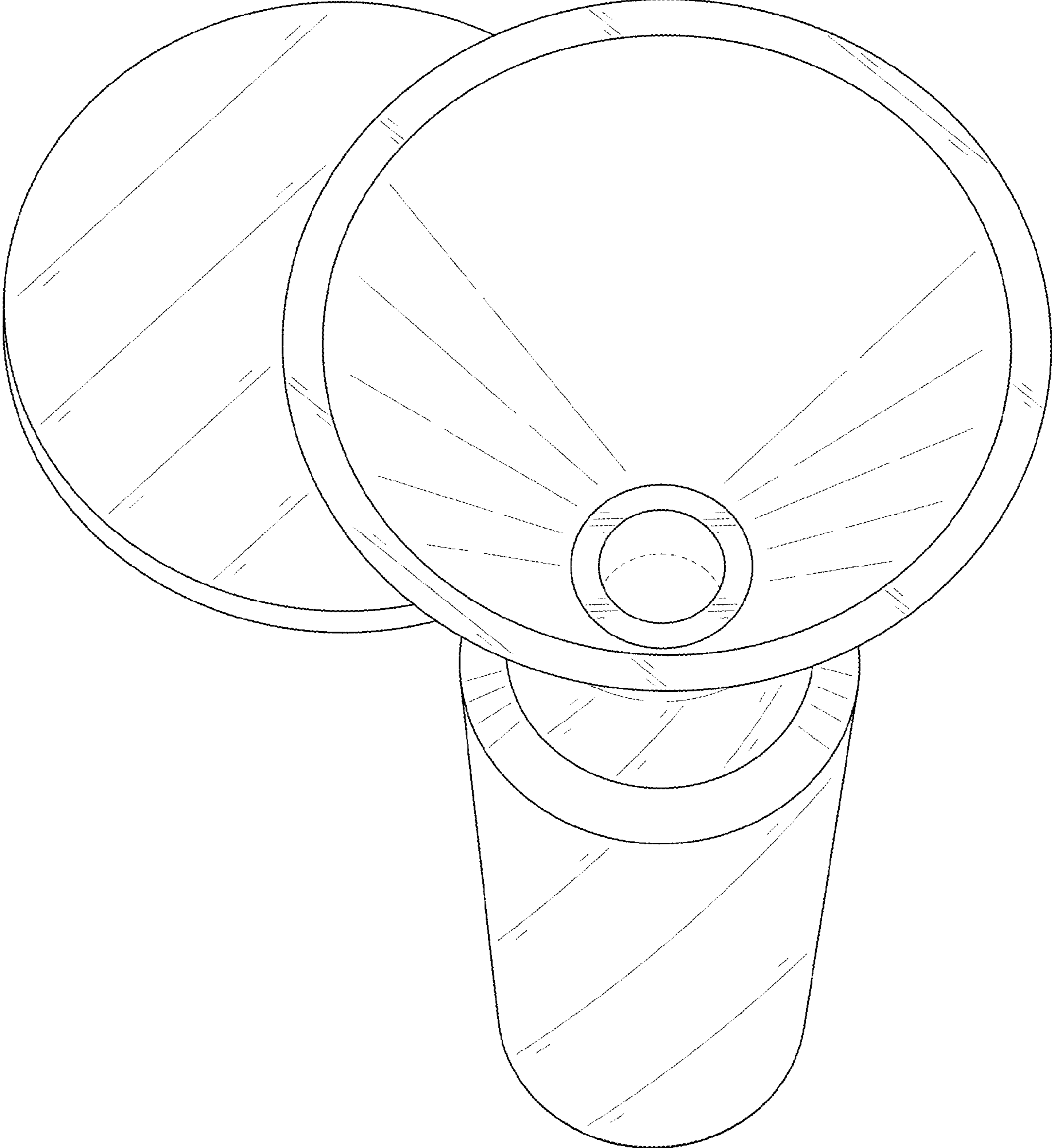


FIG. 1

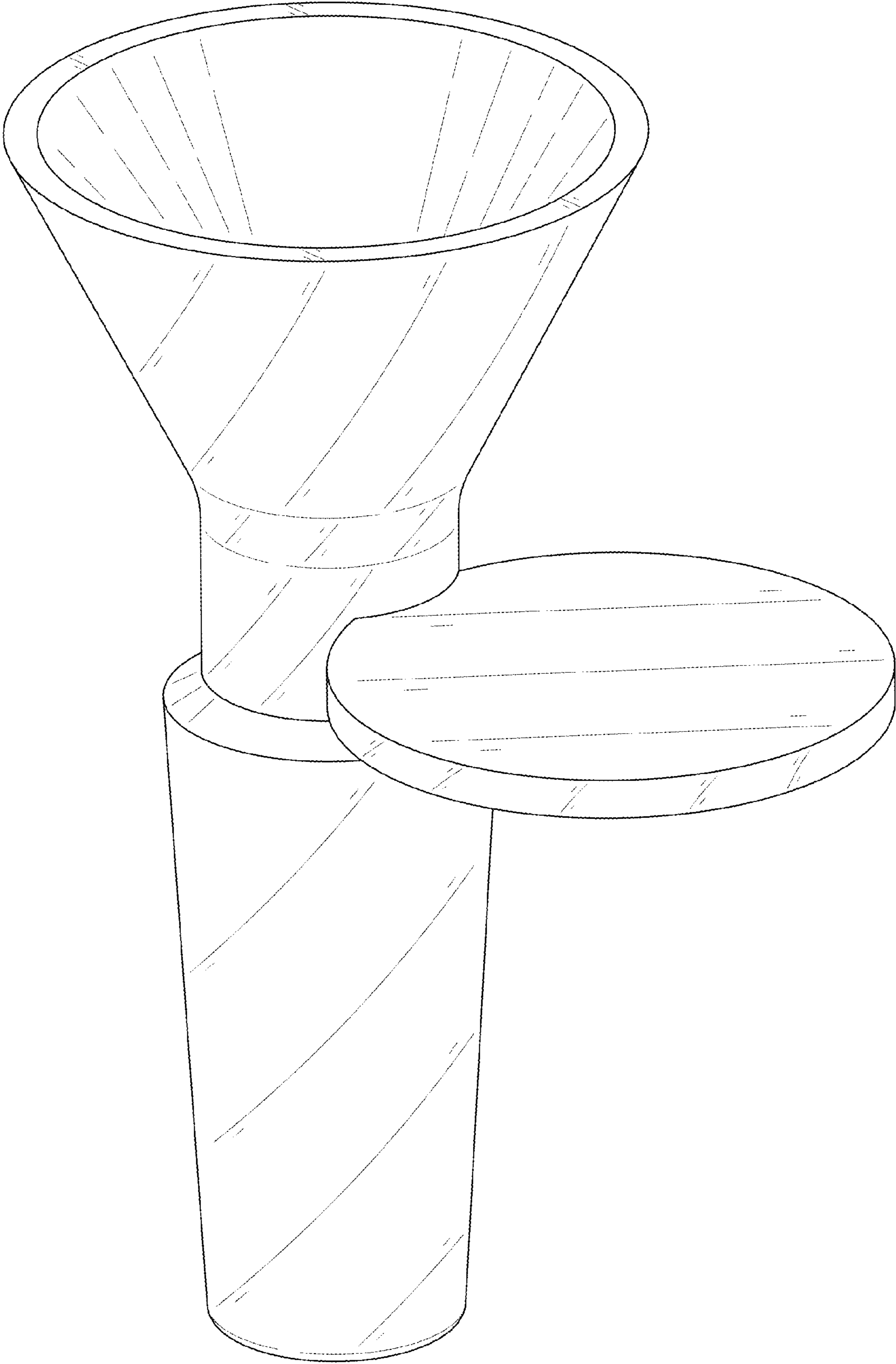


FIG. 2

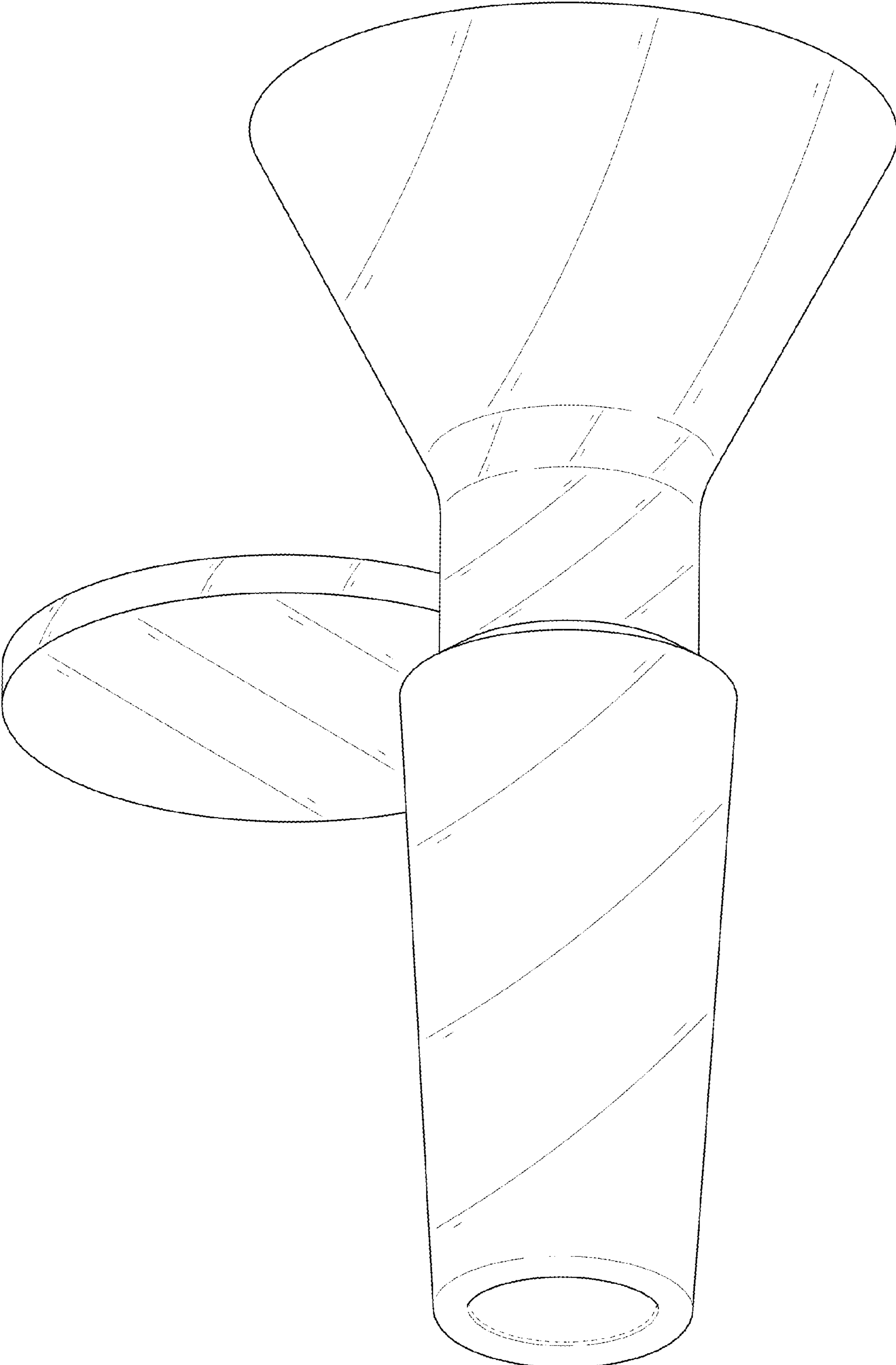


FIG. 3

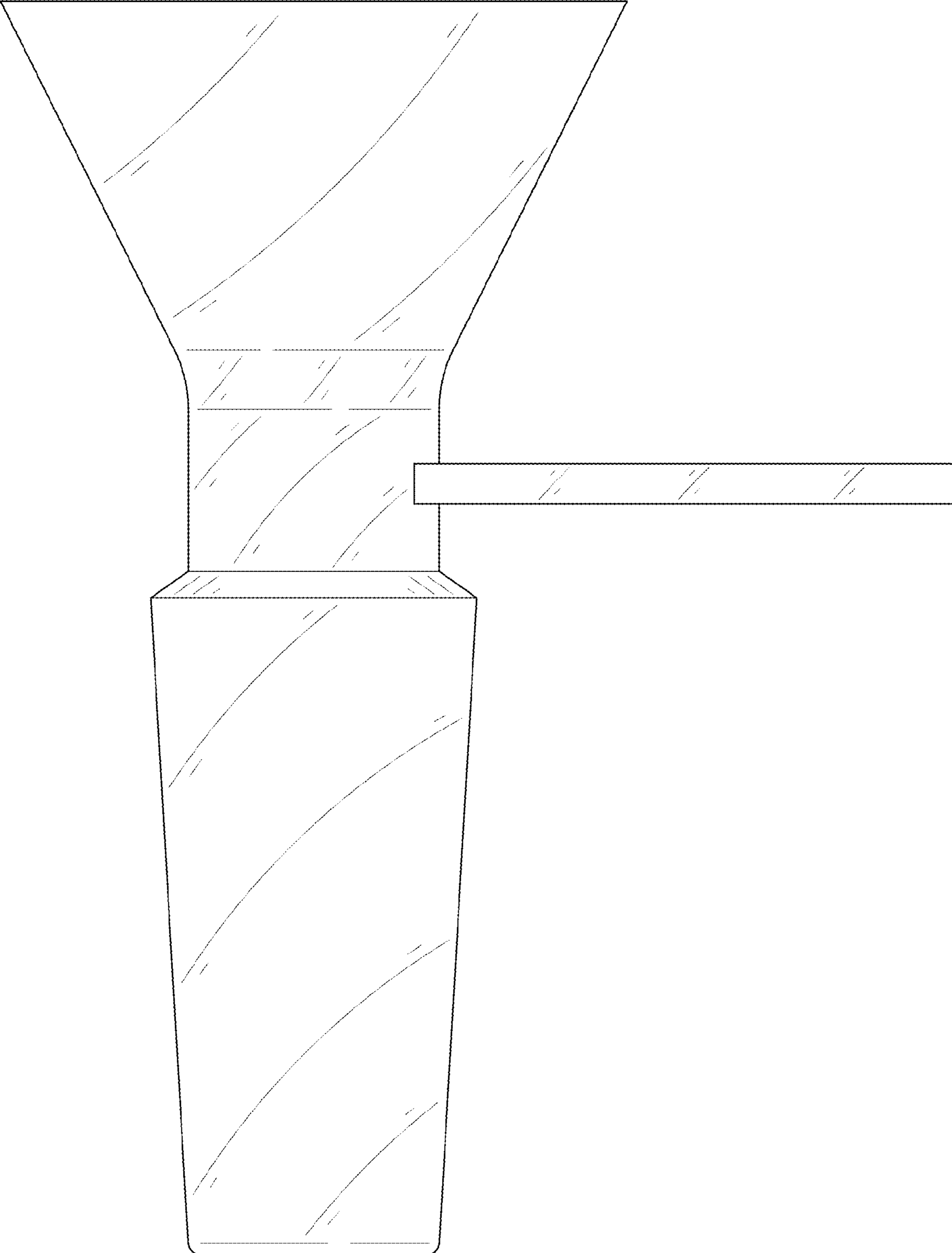


FIG. 4



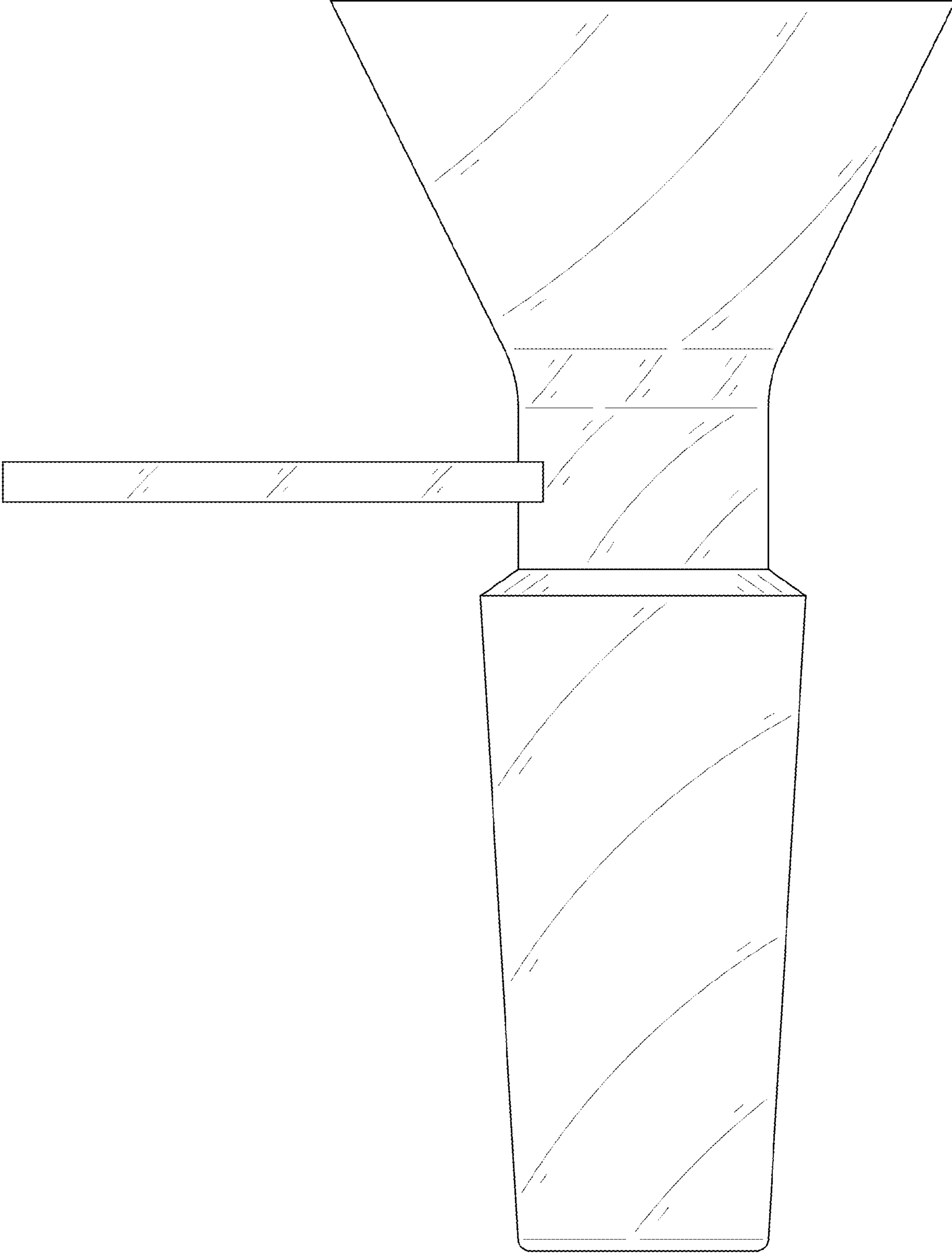


FIG. 5

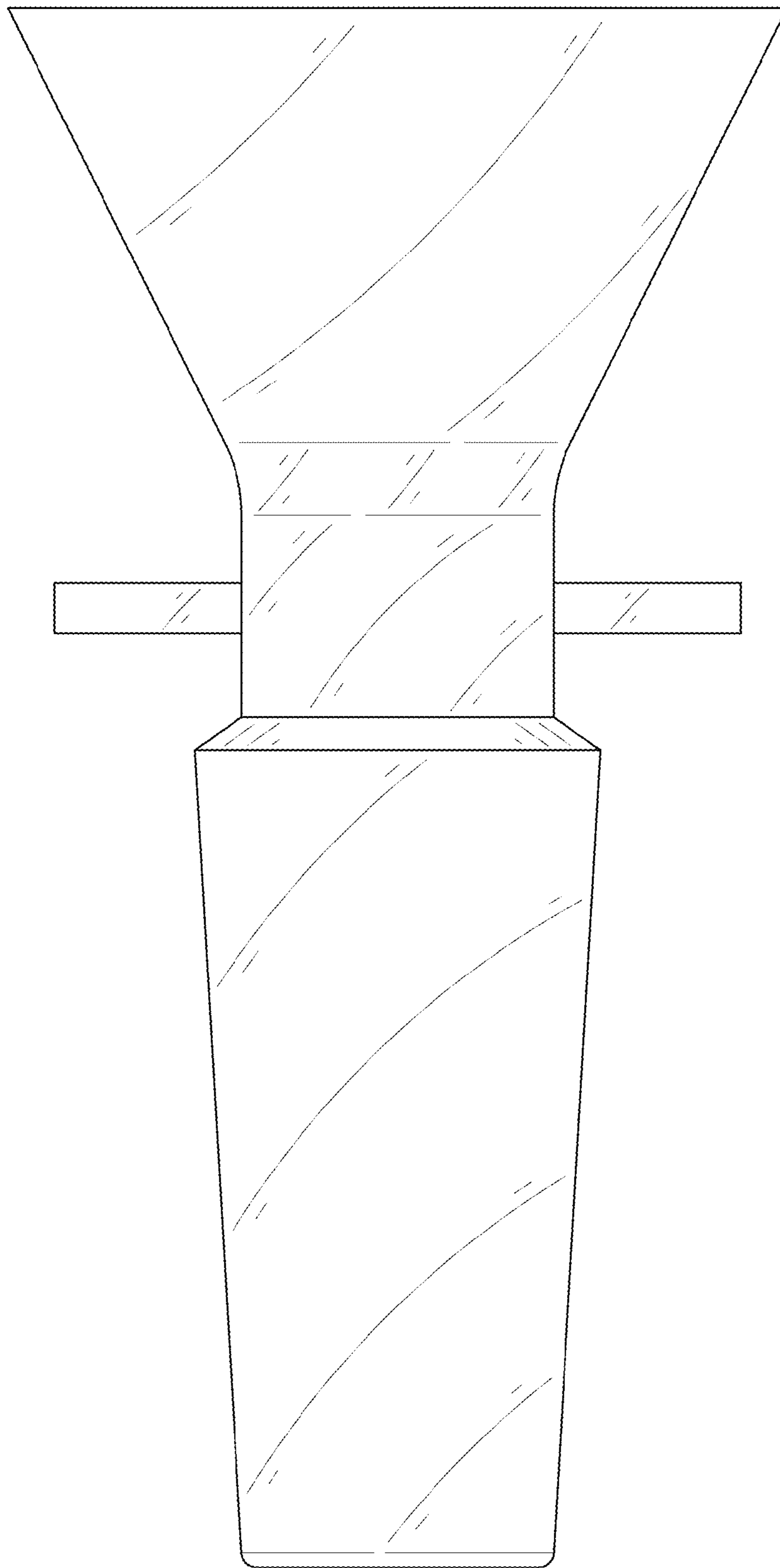


FIG. 6



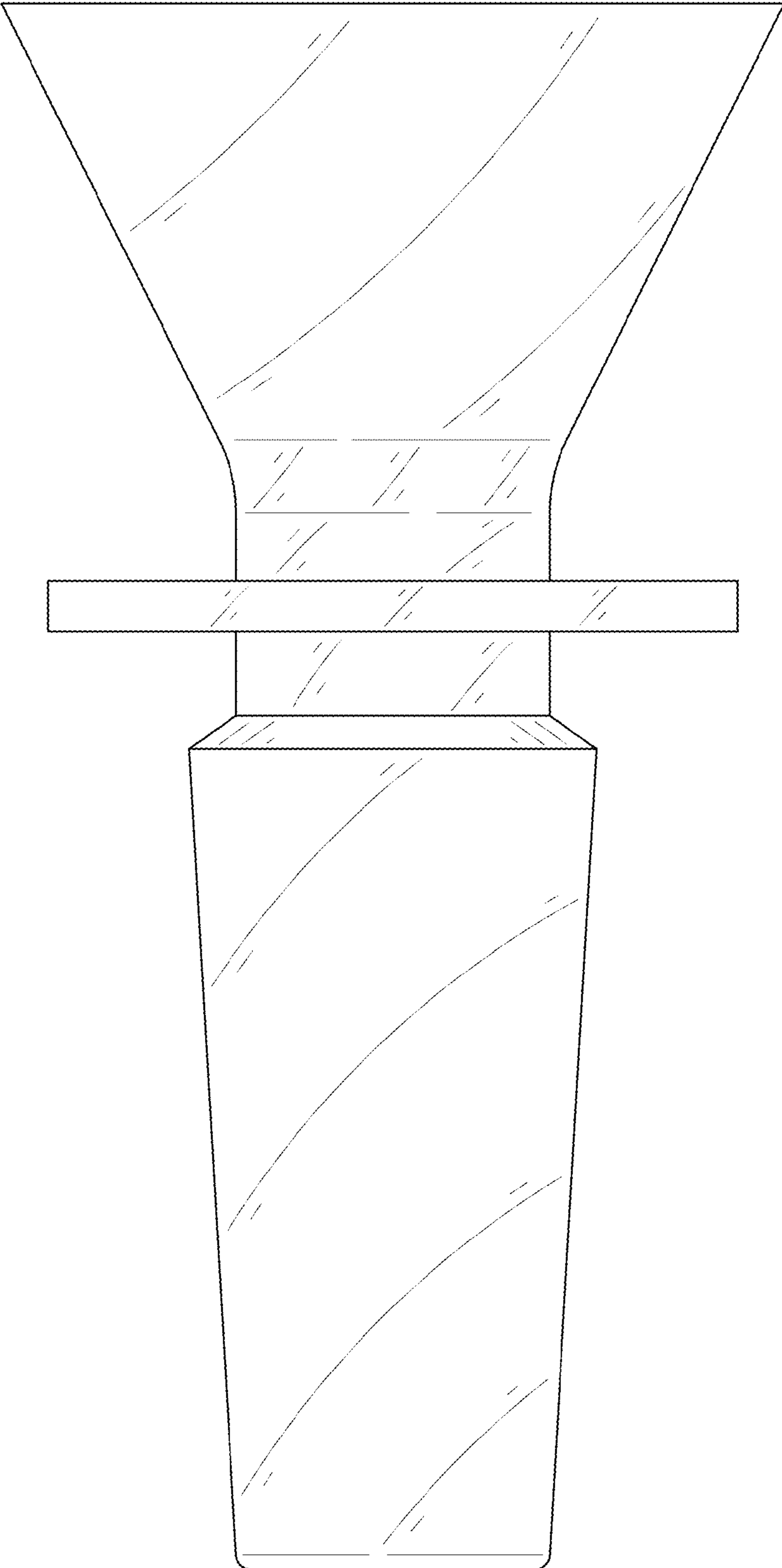


FIG. 7

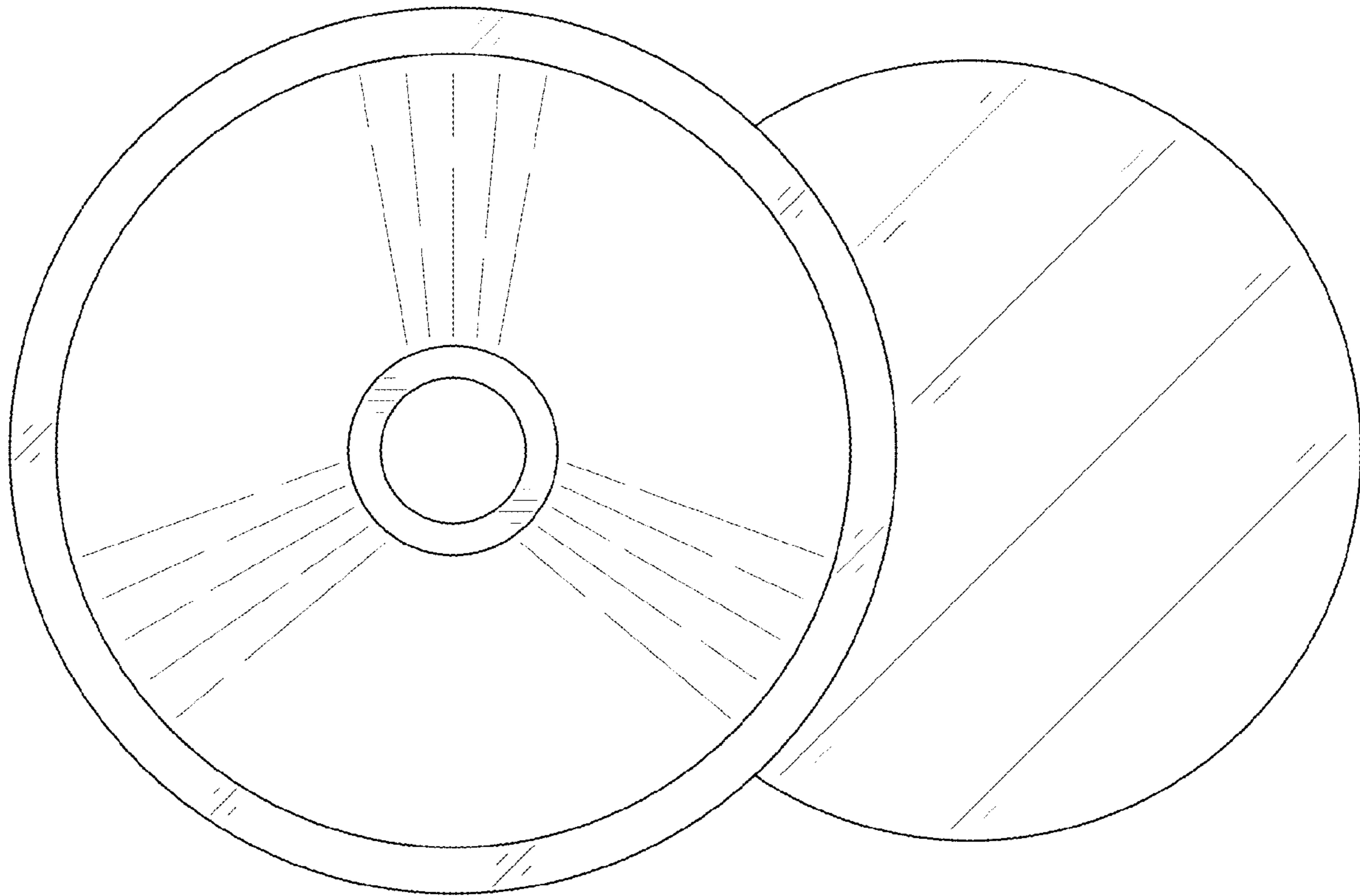


FIG. 8

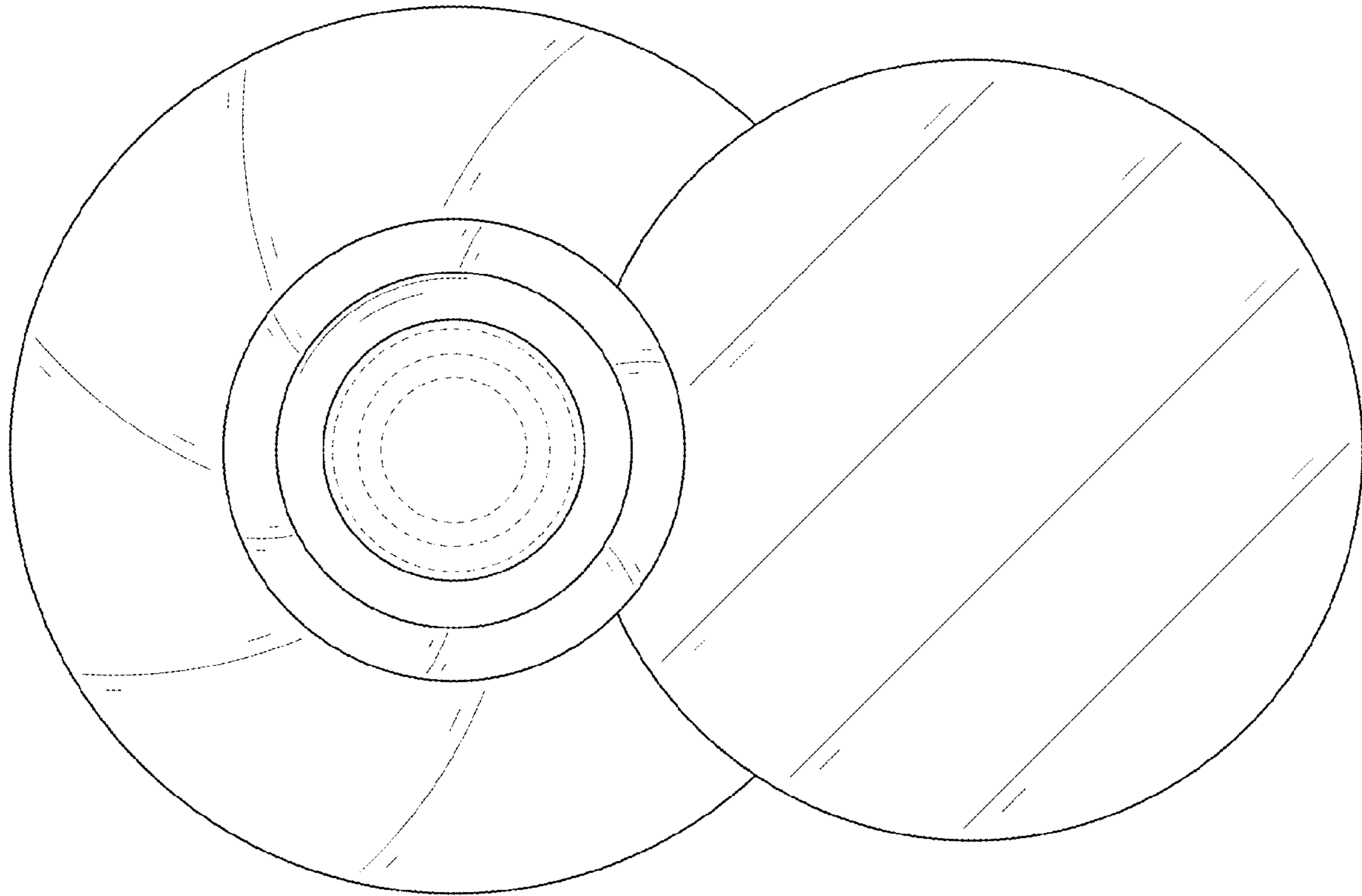


FIG. 9