



US00D943185S

(12) **United States Design Patent** (10) **Patent No.:** **US D943,185 S**  
**Rix et al.** (45) **Date of Patent:** **\*\* Feb. 8, 2022**

(54) **HEAT MANAGEMENT UNIT FOR A HOOKAH**

D641,464 S ‡ 7/2011 De Haan ..... D23/366  
8,459,269 B2 6/2013 Zoumut  
8,464,725 B2 6/2013 Badawi

(Continued)

(71) Applicant: **Starbuzz Tobacco, Inc.**, Garden Grove, CA (US)

FOREIGN PATENT DOCUMENTS

(72) Inventors: **John Fred Rix**, Tuscon, AZ (US);  
**Haytham Kalasho**, Escondido, CA (US)

CN 202396428 U 8/2012  
CN 206294887 U 7/2017  
DE 20212626 U1 10/2002

(73) Assignee: **Starbuzz Tobacco, Inc.**, Garden Grove, CA (US)

OTHER PUBLICATIONS

(\*\*) Term: **15 Years**

Office Action—Requirement for Restriction/Election on related (U.S. Appl. No. 29/645,058) dated Nov. 5, 2019.‡

(Continued)

(21) Appl. No.: **29/745,904**

*Primary Examiner* — Rebecca Tsehaye

(22) Filed: **Aug. 10, 2020**

(74) *Attorney, Agent, or Firm* — Klein, O’Neill & Singh, LLP

**Related U.S. Application Data**

(62) Division of application No. 29/645,062, filed on Apr. 23, 2018.

(57) **CLAIM**

(51) **LOC (13) Cl.** ..... **27-02**

The ornamental design for a heat management unit for a hookah, as shown and described.

(52) **U.S. Cl.**

USPC ..... **D27/164**

**DESCRIPTION**

(58) **Field of Classification Search**

USPC ..... D27/162, 164, 167; D12/170; 126/26, 126/204, 205

CPC ..... A24F 1/30

See application file for complete search history.

FIG. 1 is a perspective view of an embodiment of a heat management unit for a hookah embodying the new design; FIG. 2 is a top plan view thereof; FIG. 3 is a bottom plan view thereof; FIG. 4 is a left side elevation view thereof; FIG. 5 is a right side elevation view thereof; FIG. 6 is a front side elevation view thereof; and, FIG. 7 is a back side elevation view thereof.

(56) **References Cited**

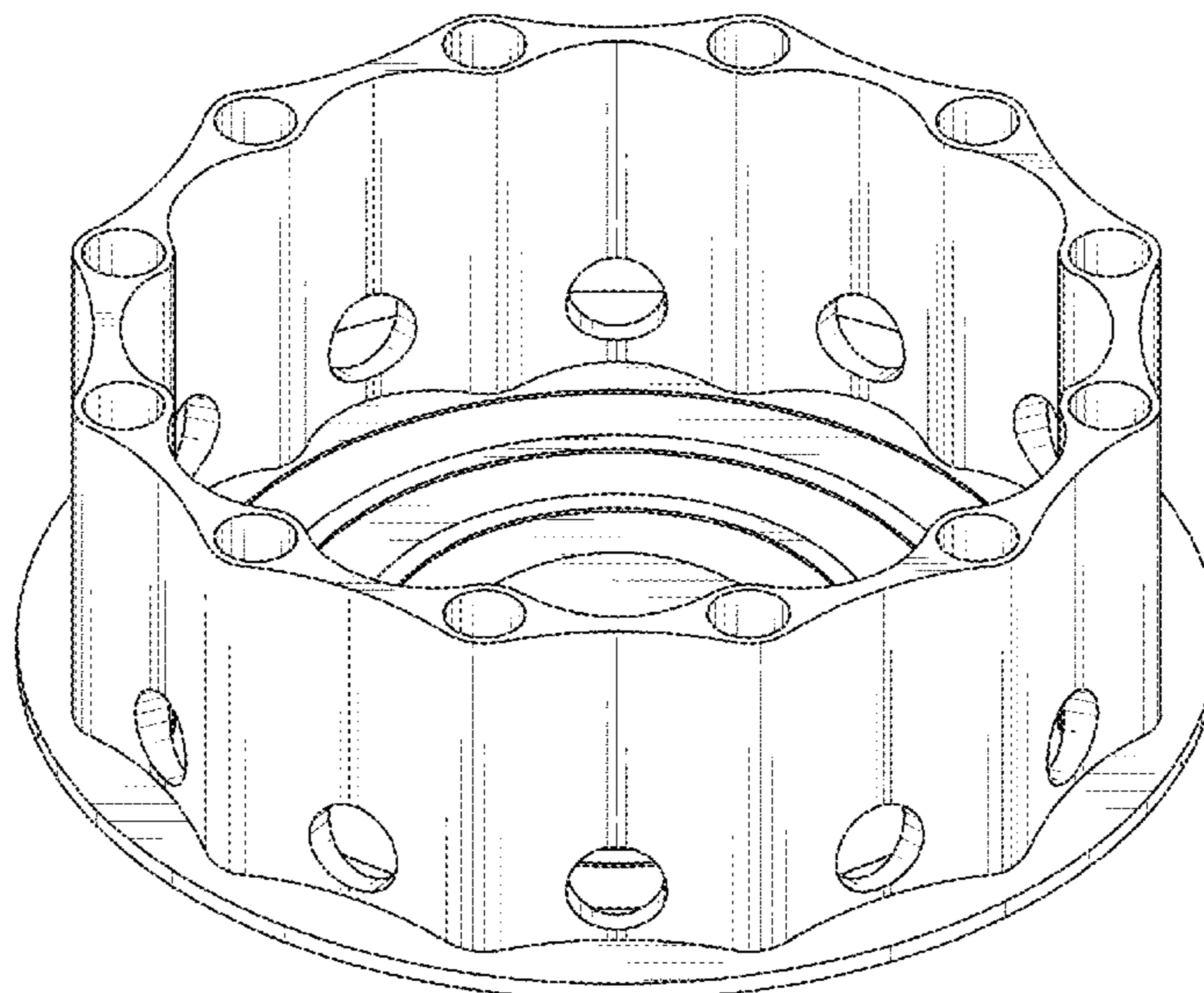
**U.S. PATENT DOCUMENTS**

D254,930 S 5/1980 Mandon et al.  
D399,945 S \* 10/1998 Bonomo ..... D23/369  
D404,459 S 1/1999 Furner et al.  
6,061,950 A \* 5/2000 Carey ..... A01M 1/2066  
43/125  
7,287,530 B1 10/2007 Stuart  
7,798,152 B1 9/2010 Tannous  
7,827,995 B2 11/2010 Chaoui

The shading lines only help to show the shape and do not depict any surface decoration.

The broken lines in the drawings depict portions of the heat management unit for a hookah that form no part of the claimed design.

**1 Claim, 4 Drawing Sheets**



(56)

References Cited

U.S. PATENT DOCUMENTS

8,490,630 B2 7/2013 Boutros et al.  
 8,590,541 B2 11/2013 Mehio  
 D698,434 S ‡ 1/2014 Wolff ..... D23/393  
 8,757,170 B2 6/2014 Kaplani  
 8,763,799 B2 7/2014 Haidar  
 8,826,915 B2 9/2014 Mehio  
 D722,720 S 2/2015 Garbo  
 D731,465 S ‡ 6/2015 Khubani ..... D14/216  
 9,107,456 B2 8/2015 Mehio  
 9,179,710 B2 11/2015 Chaoui  
 9,237,770 B2 1/2016 Bavar  
 9,247,772 B2 2/2016 Mehio  
 D760,430 S \* 6/2016 Hanna ..... D27/167  
 D767,820 S 9/2016 Jordan et al.  
 D770,088 S 10/2016 Abadi et al.  
 D782,108 S \* 3/2017 Jordan ..... D27/167  
 D785,235 S \* 4/2017 Elhalwani ..... D27/167  
 D787,439 S 5/2017 Sloan  
 9,833,018 B2 12/2017 Mehio  
 9,877,517 B2 1/2018 Liu  
 D818,078 S \* 5/2018 Zhang ..... D22/122

D841,231 S ‡ 2/2019 Hawes ..... D27/170  
 D846,010 S \* 4/2019 Wang ..... D15/144.2  
 D853,547 S ‡ 7/2019 Avidor ..... D23/366  
 D861,977 S 10/2019 Masri  
 D870,371 S ‡ 12/2019 Storz ..... D27/167  
 D873,480 S ‡ 1/2020 Hawes ..... D27/170  
 D884,962 S \* 5/2020 Masri ..... D27/167  
 D897,032 S \* 9/2020 Rix ..... D27/162  
 2007/0056599 A1 3/2007 Zoumut  
 2010/0083973 A1 4/2010 Zoumut  
 2010/0212679 A1 8/2010 Bishara  
 2016/0262444 A1 \* 9/2016 Grzyb ..... A24F 1/30

OTHER PUBLICATIONS

International Search Report and Written Opinion on corresponding PCT application (PCT/US2019/028380) from International Searching Authority (EPO) dated Jul. 18, 2019.‡  
 Office Action—Requirement for Restriction/Election on related (U.S. Appl. No. 29/645,062) dated May 20, 2020.

\* cited by examiner  
 ‡ imported from a related application

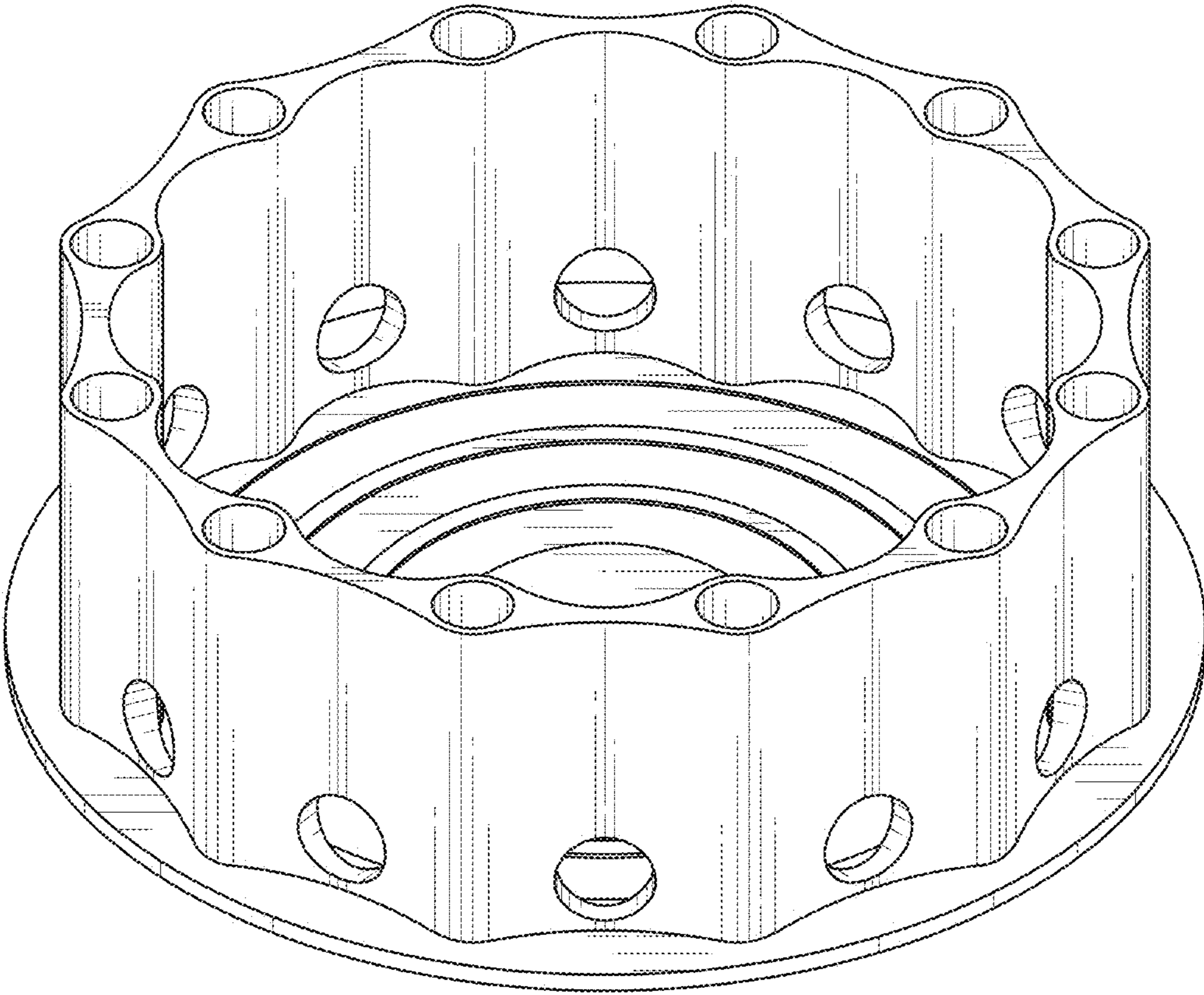
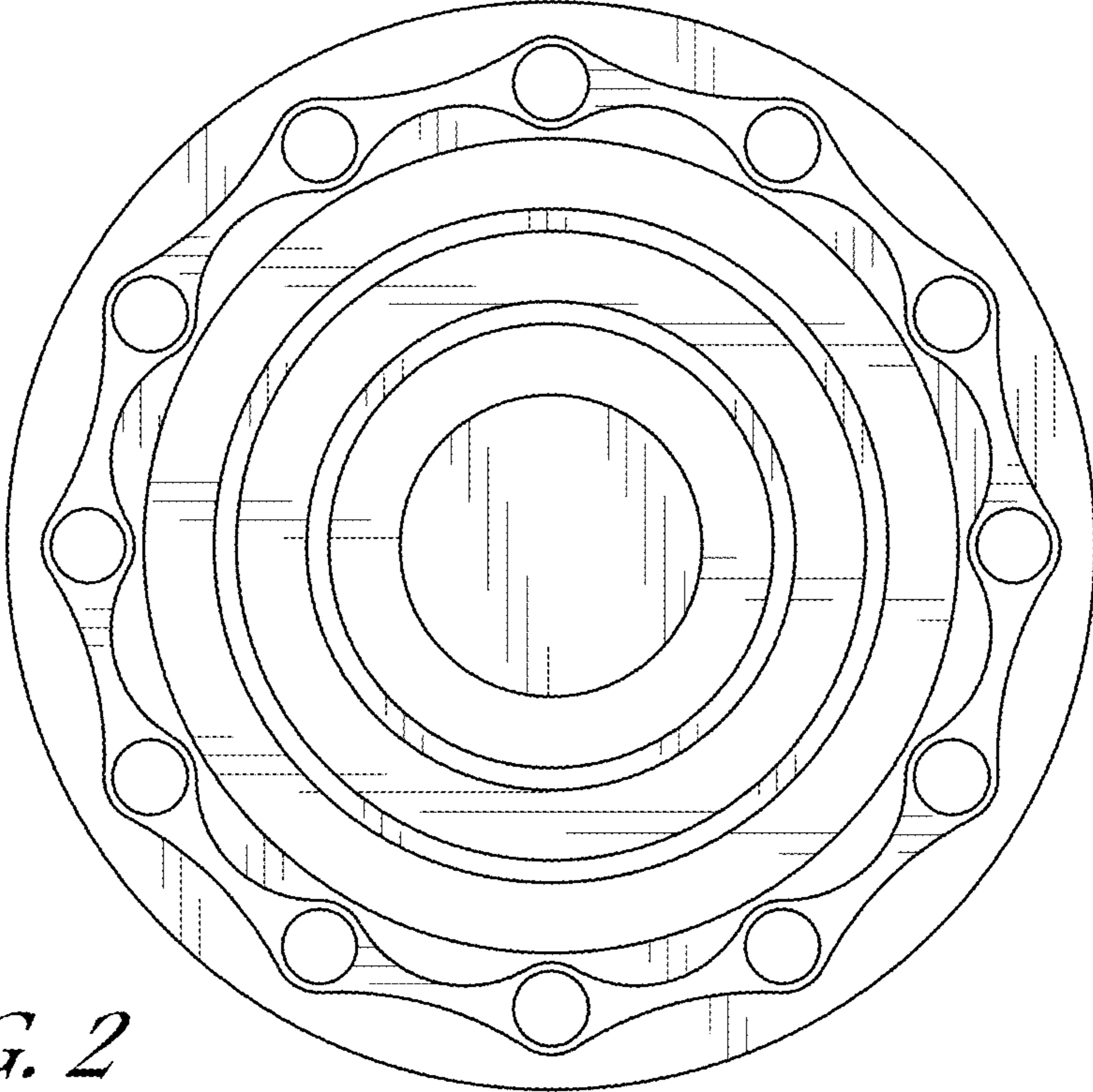
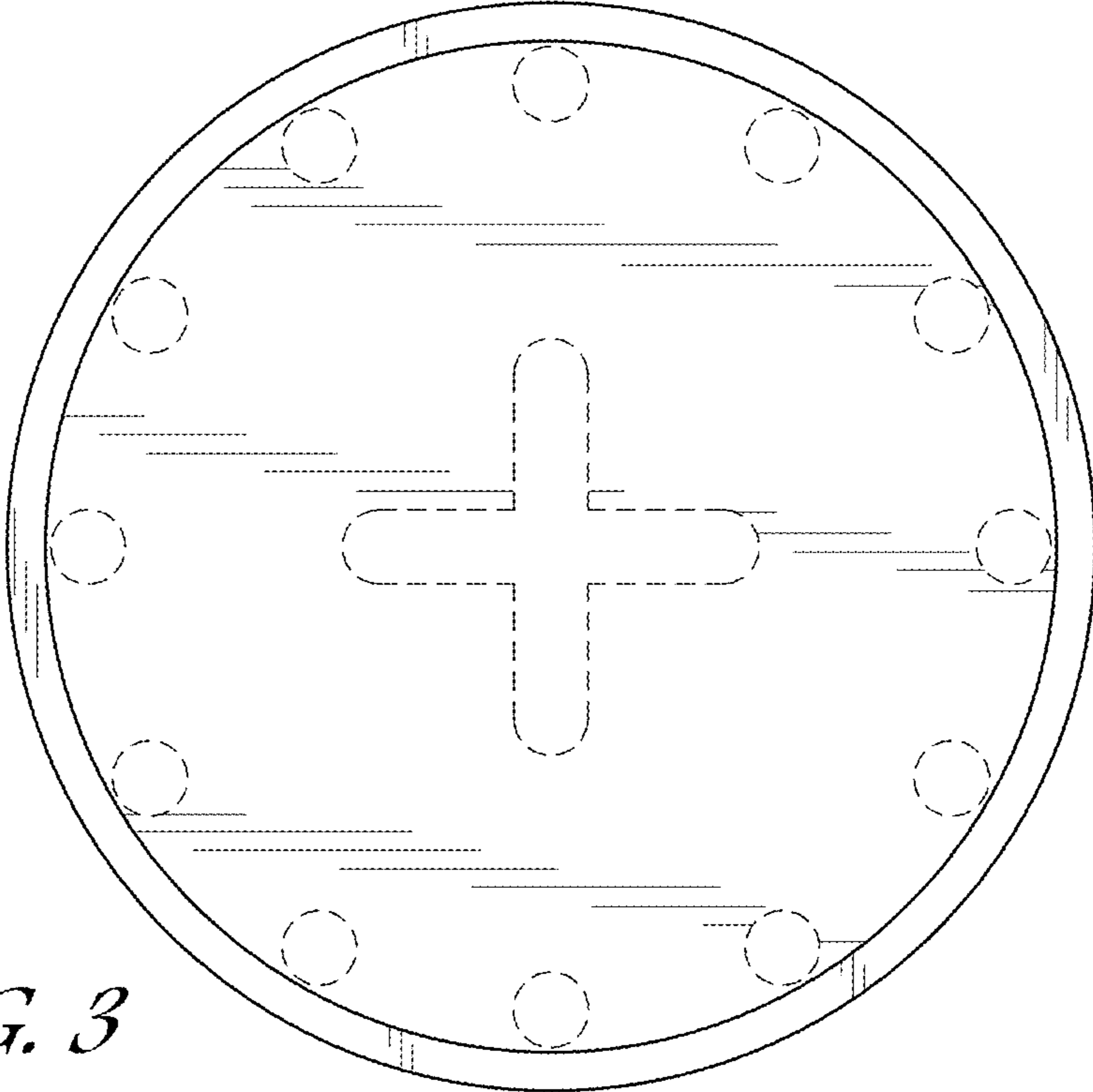


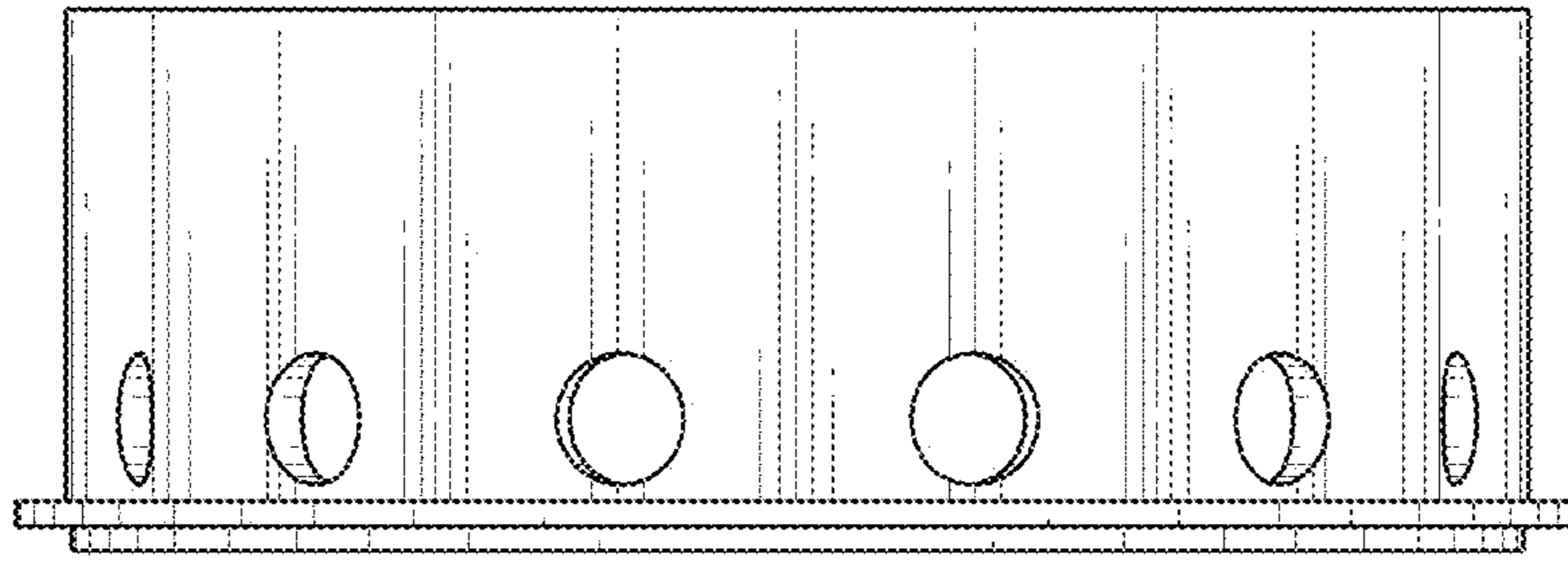
FIG. 1



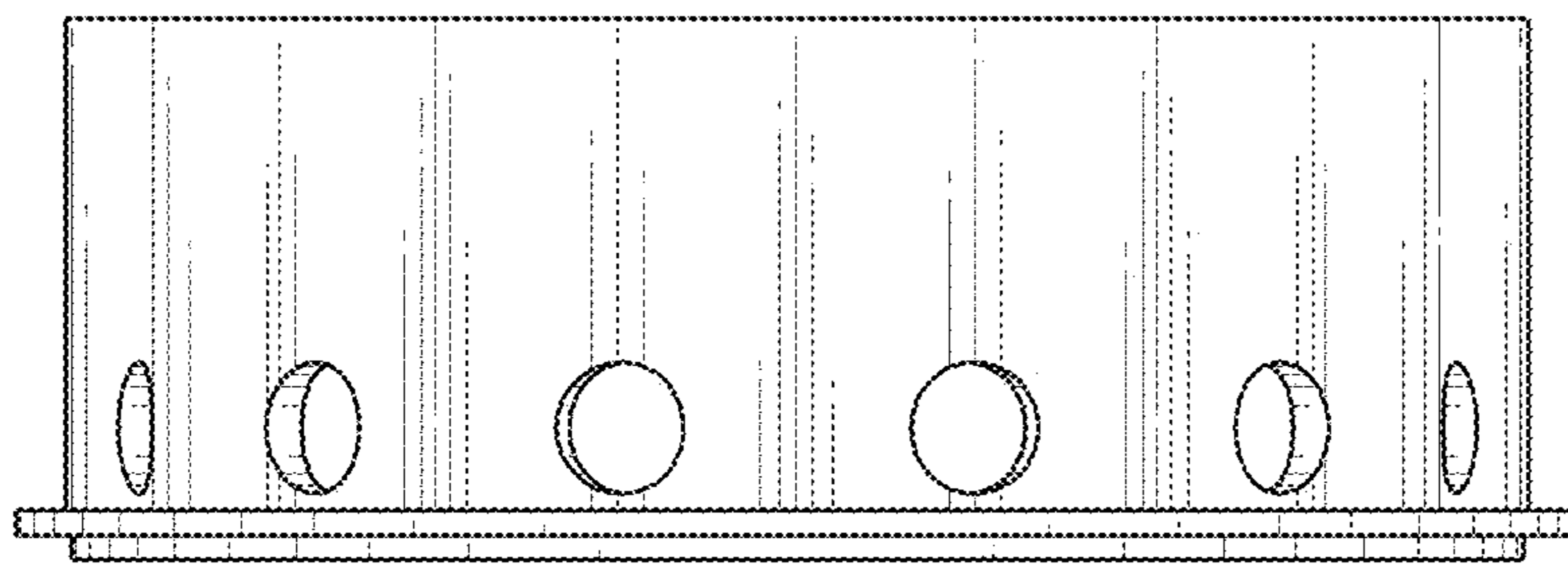
*FIG. 2*



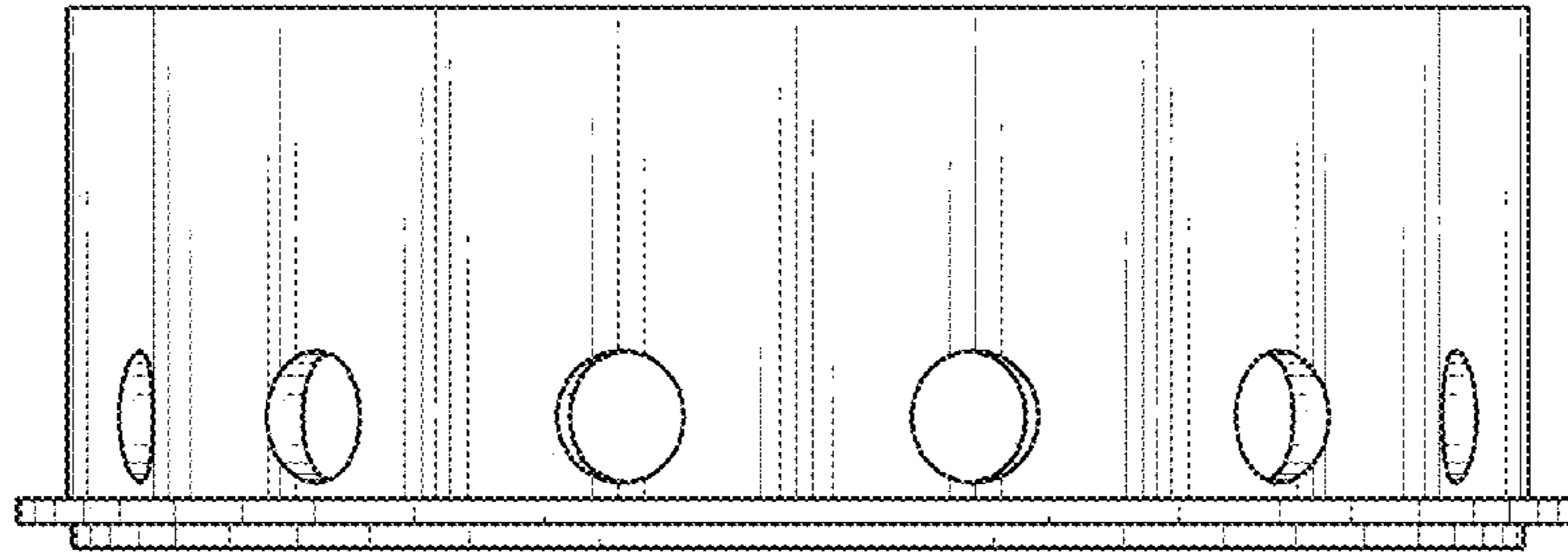
*FIG. 3*



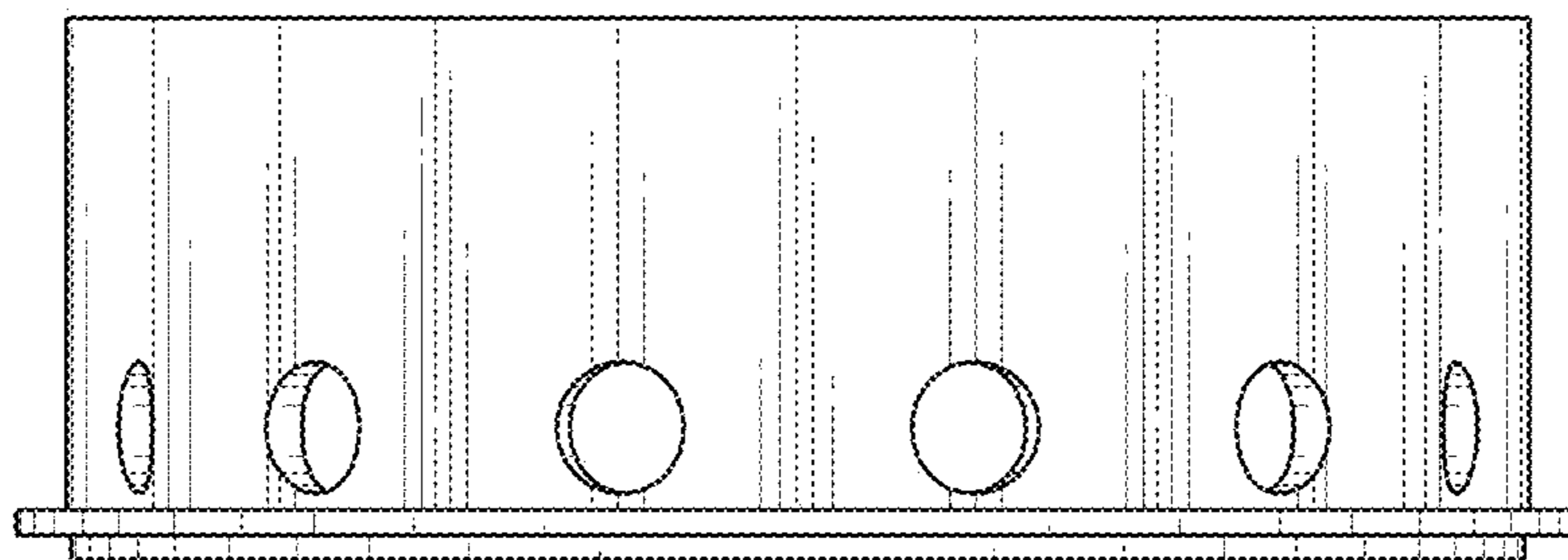
*FIG. 4*



*FIG. 5*



*FIG. 6*



*FIG. 7*