



US00D943181S

(12) **United States Design Patent** (10) **Patent No.:** **US D943,181 S**
Yu (45) **Date of Patent:** **** Feb. 8, 2022**

- (54) **POWER SUPPLY DEVICE FOR ELECTRONIC ATOMIZER**
- (71) Applicant: **Shenzhen Smoore Technology Limited**, Shenzhen (CN)
- (72) Inventor: **Xuefeng Yu**, Shenzhen (CN)
- (73) Assignee: **SHENZHEN SMOORE TECHNOLOGY LIMITED**, Shenzhen (CN)
- (**) Term: **15 Years**
- (21) Appl. No.: **29/761,405**
- (22) Filed: **Dec. 9, 2020**
- (30) **Foreign Application Priority Data**
Jun. 12, 2020 (CN) 202030298767.3
- (51) **LOC (13) Cl.** **27-02**
- (52) **U.S. Cl.**
USPC **D27/162**
- (58) **Field of Classification Search**
USPC D27/162, 100, 101, 106, 108, 161, 163, D27/165-172, 174, 175, 183, 185-194; D9/516, 522, 523, 571, 572, 575, 567, D9/569
CPC A24F 47/002; A24F 47/004; A24F 47/006; A24F 47/008; A61M 15/06
See application file for complete search history.

- (56) **References Cited**
U.S. PATENT DOCUMENTS
D654,160 S * 2/2012 Yomtov D23/360
D748,325 S * 1/2016 Leidel D27/163
D776,051 S * 1/2017 Wang D13/103
D826,145 S * 8/2018 Kim D13/103
D870,034 S * 12/2019 Lai D13/103
D878,288 S * 3/2020 Choi D13/103
D881,459 S * 4/2020 Ouyang D27/162

- D885,332 S * 5/2020 Han D13/108
 - D892,039 S * 8/2020 Chen D13/103
 - D898,991 S * 10/2020 Pan D27/162
 - D910,234 S * 2/2021 Sun D27/162
- (Continued)

OTHER PUBLICATIONS

Batter Backup and Surge Protector By: APC found on Amazon (Dec. 8, 2021) https://www.amazon.com/APC-Battery-Protector-BackUPS-BX1500M/dp/B06VY6FXMM/ref=sr_1_20?keywords= (Jun. 19, 2018).*

Primary Examiner — Marissa J Cash
Assistant Examiner — Rebecca Tsehaye

(57) **CLAIM**

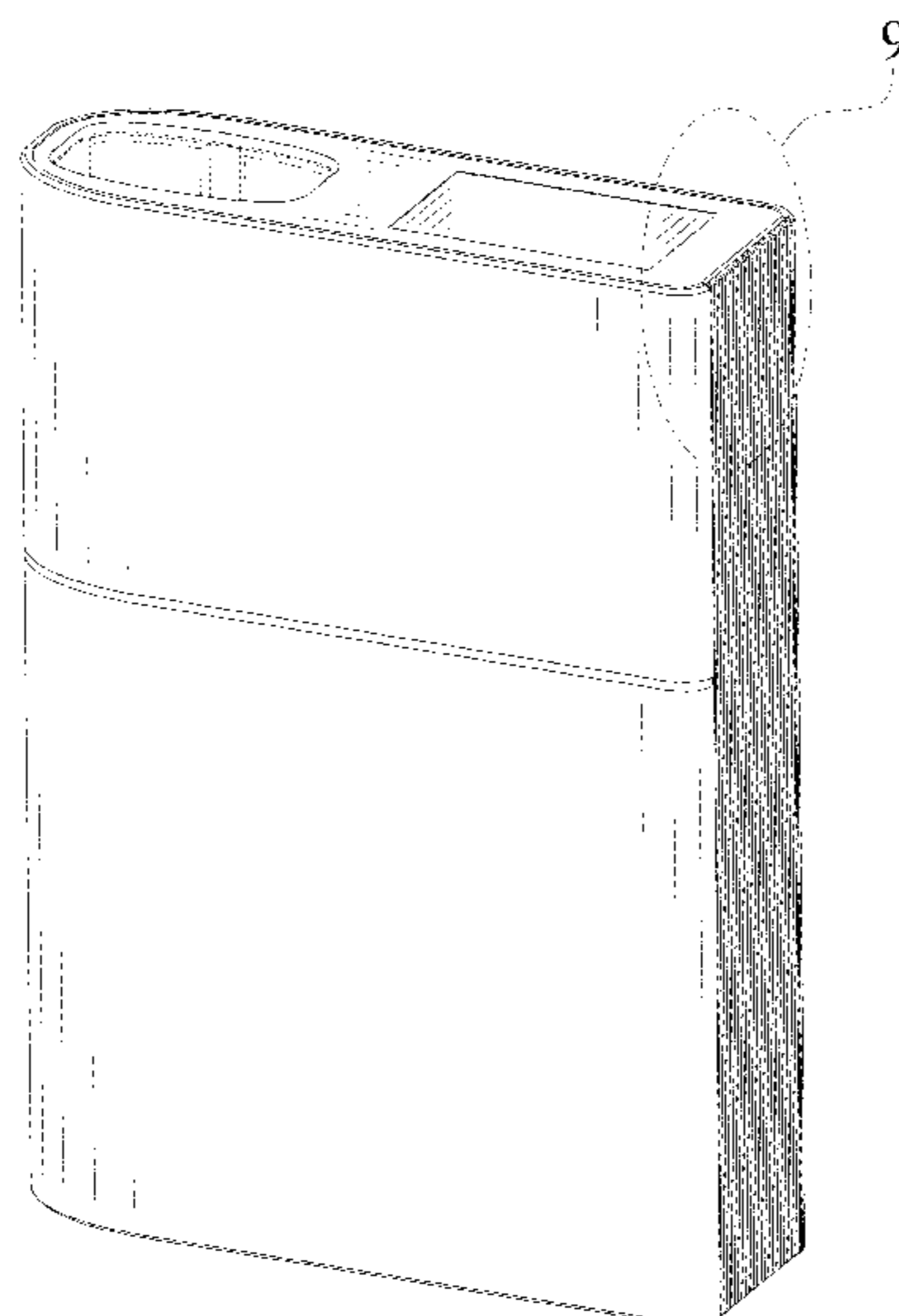
The ornamental design for a power supply device for electronic atomizer, as shown and described.

DESCRIPTION

FIG. 1 is a perspective view of a power supply device for electronic atomizer of our design;
FIG. 2 is another perspective view thereof;
FIG. 3 is a front elevational view thereof;
FIG. 4 is a rear side elevational view thereof;
FIG. 5 is a left side elevational view thereof;
FIG. 6 is a right side elevational view thereof;
FIG. 7 is an enlarged top plan view thereof;
FIG. 8 is an enlarged bottom plan view thereof;
FIG. 9 is an enlarged view of area 9 circumscribed in FIG. 1; and,
FIG. 10 is an enlarged view of area 10 circumscribed in FIG. 2.

The broken lines consisting of evenly space dash lines in the drawing depict parts of the power supply device for electronic atomizer that form no part of the claimed design. The long dash-short dash broken lines in the drawings depict the boundaries of the enlarged views and form no part of the claimed design.

1 Claim, 10 Drawing Sheets



(56)

References Cited

U.S. PATENT DOCUMENTS

D911,599 S *	2/2021	Sun	D27/162
D911,950 S *	3/2021	Zhang	D13/108
D917,381 S *	4/2021	Ouyang	D13/103
D925,114 S *	7/2021	Kim	D27/162
D932,093 S *	9/2021	Shi	D27/162
2018/0076427 A1 *	3/2018	Choi	H01M 50/20

* cited by examiner

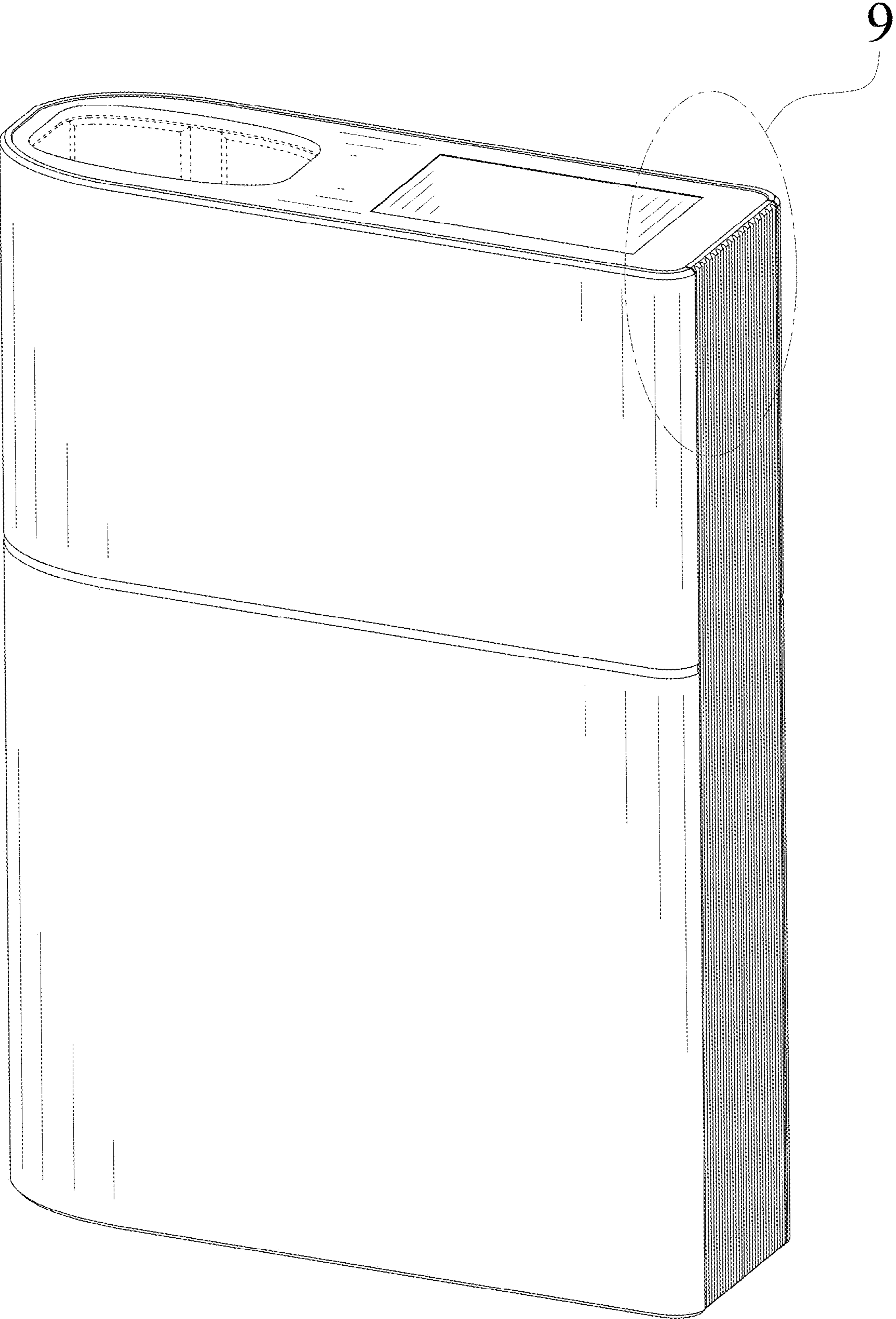


FIG. 1

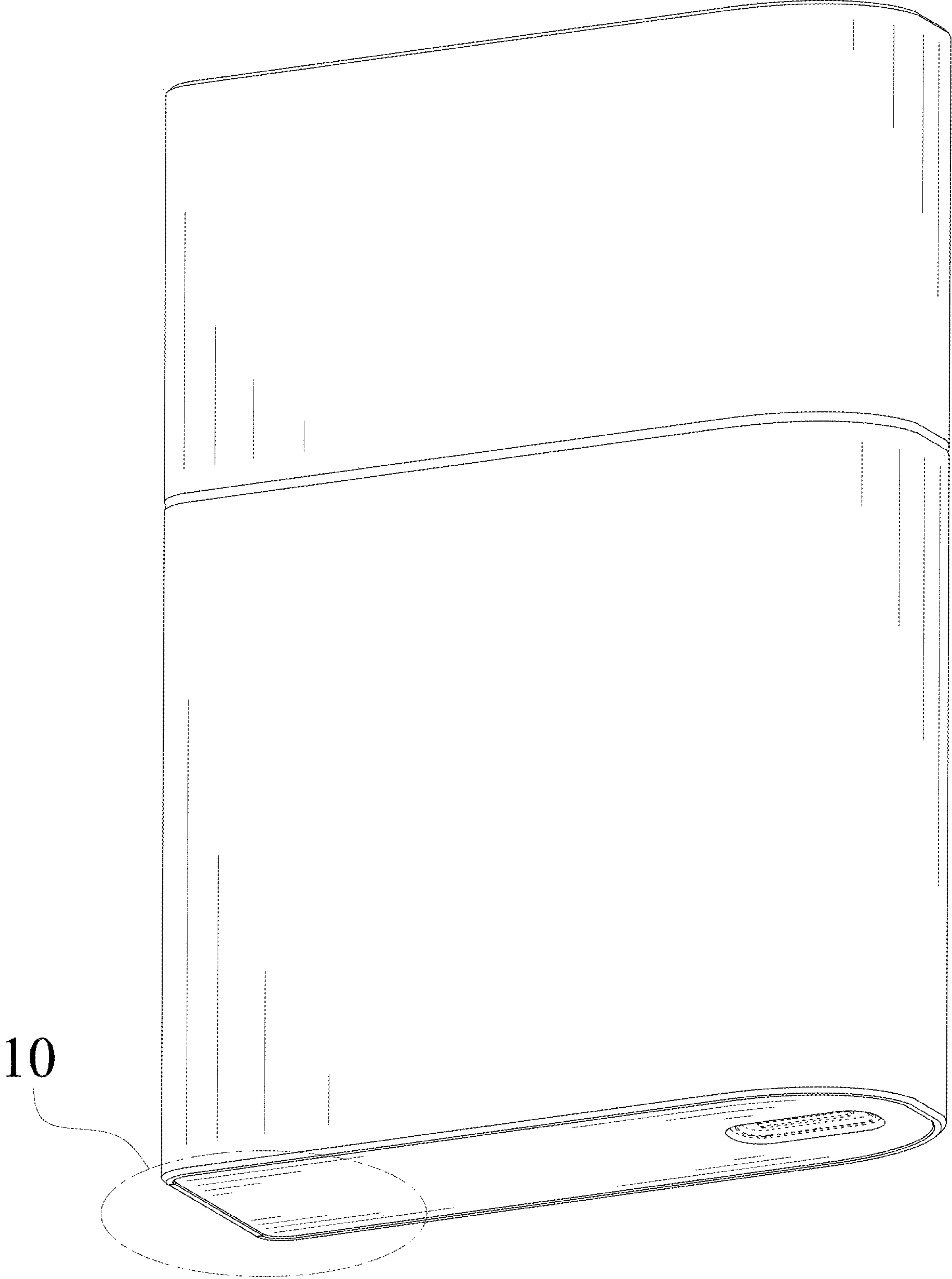


FIG. 2



FIG. 3

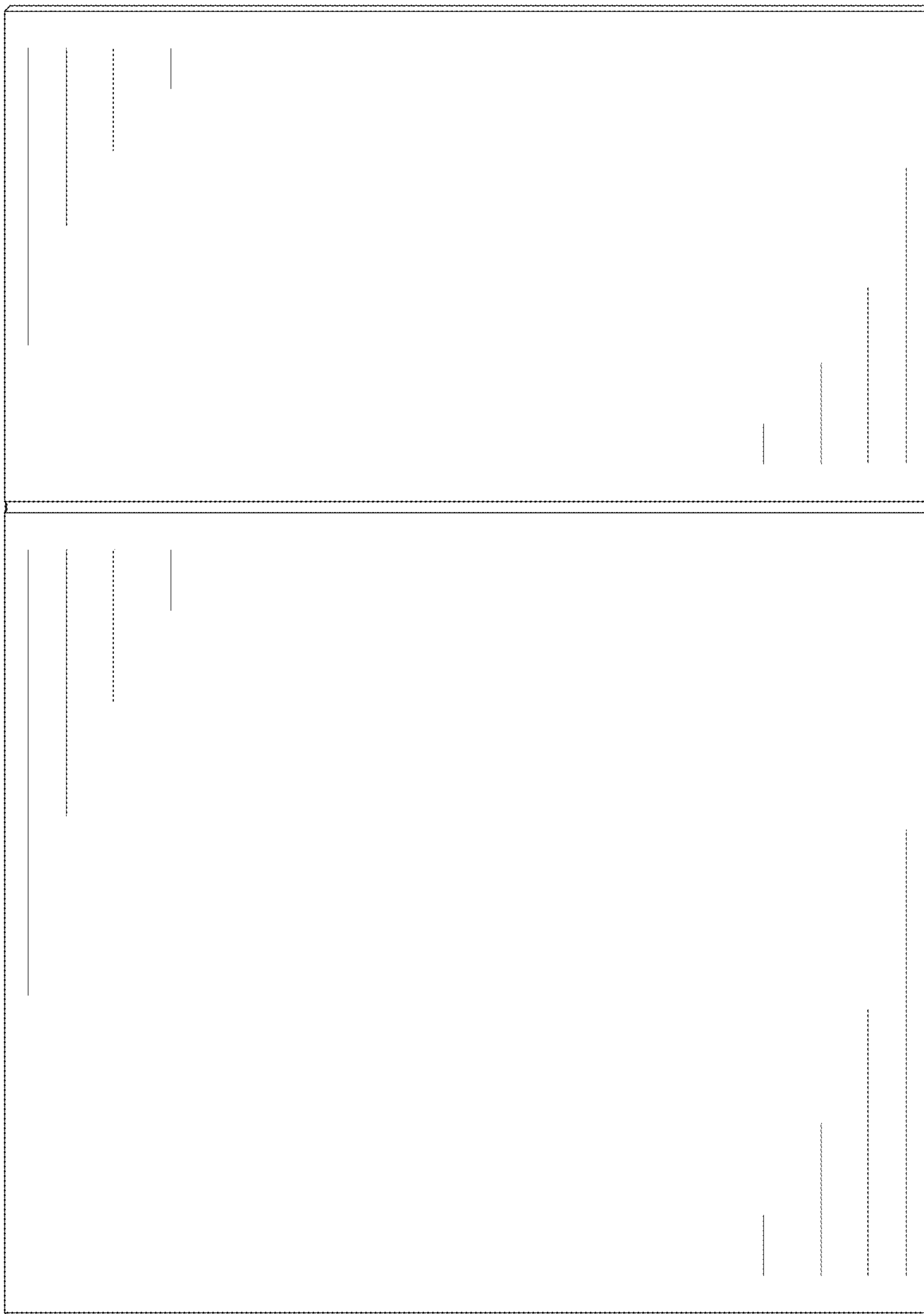


FIG. 4

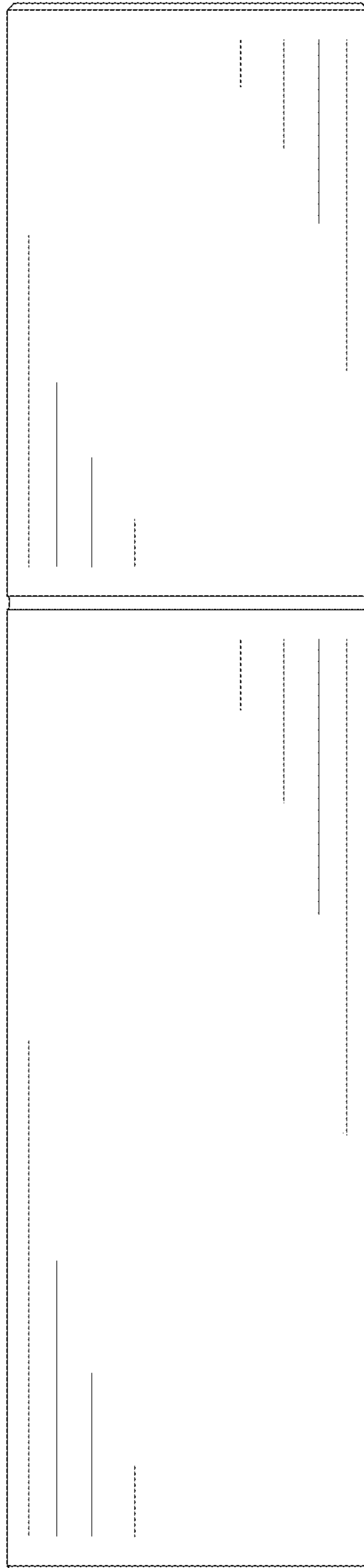


FIG. 5

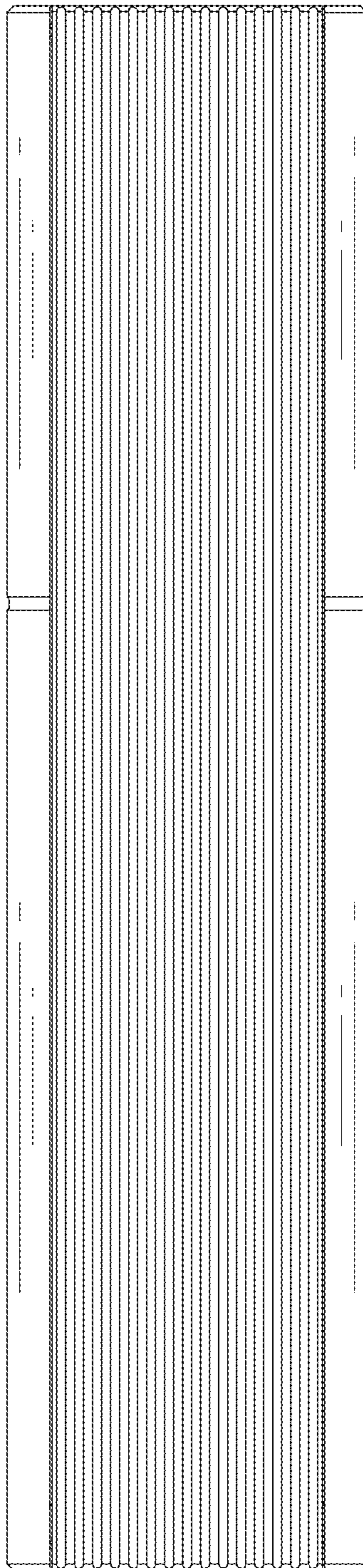


FIG. 6

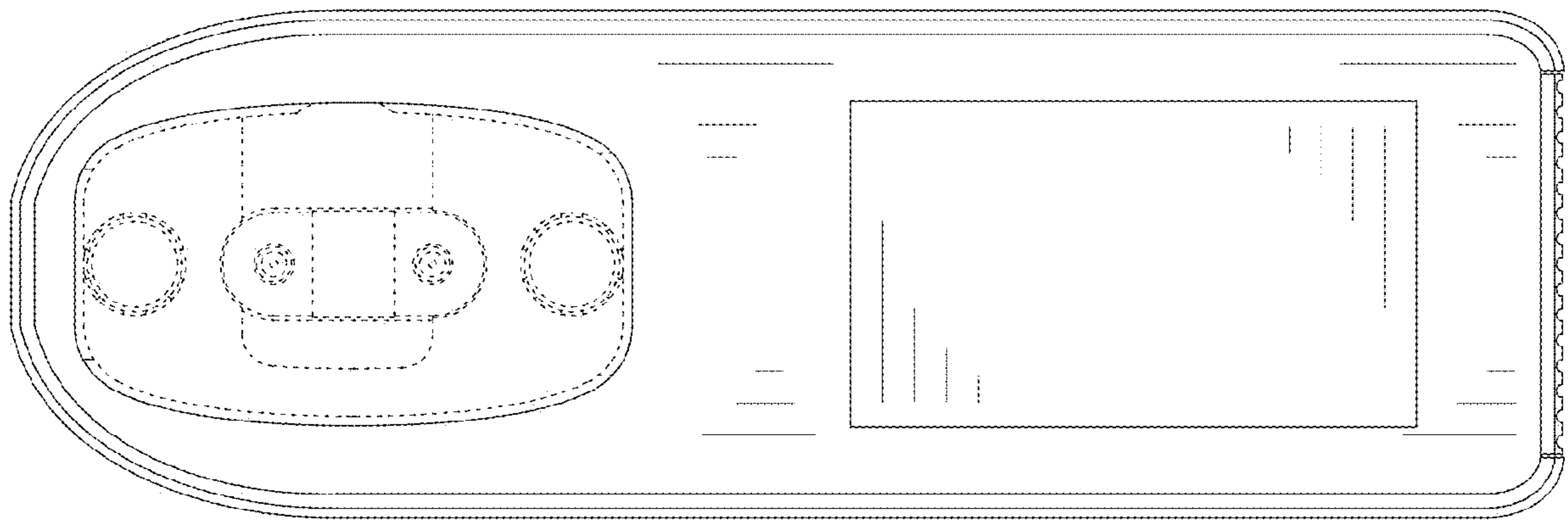


FIG. 7

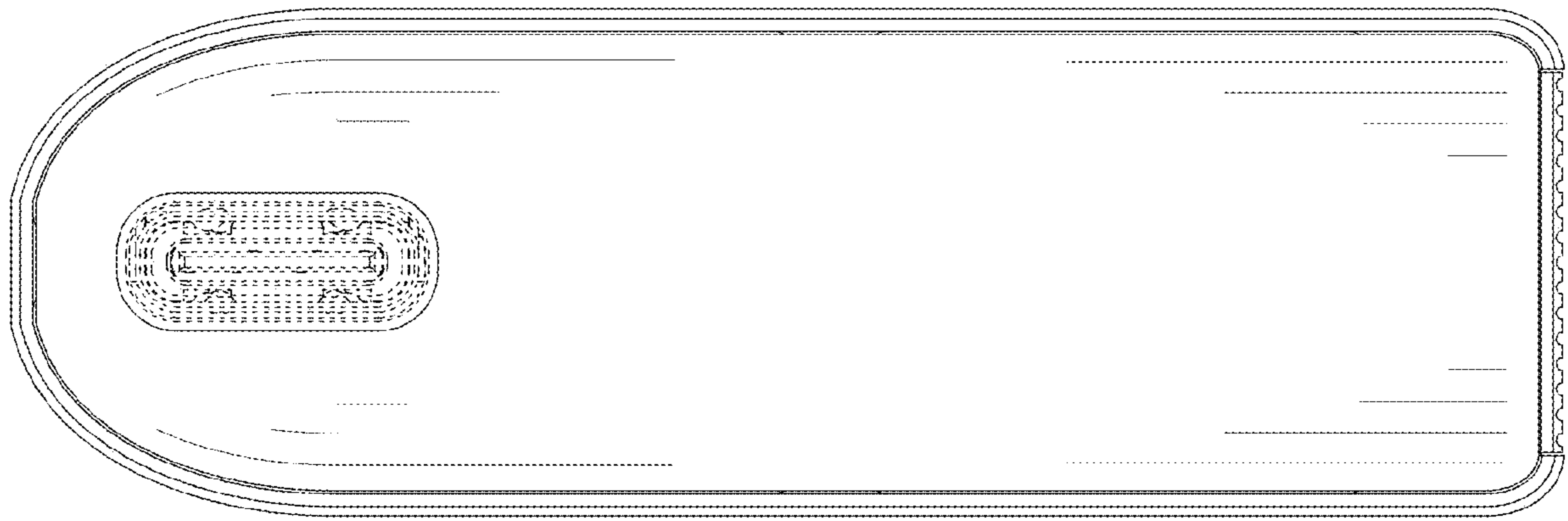


FIG. 8

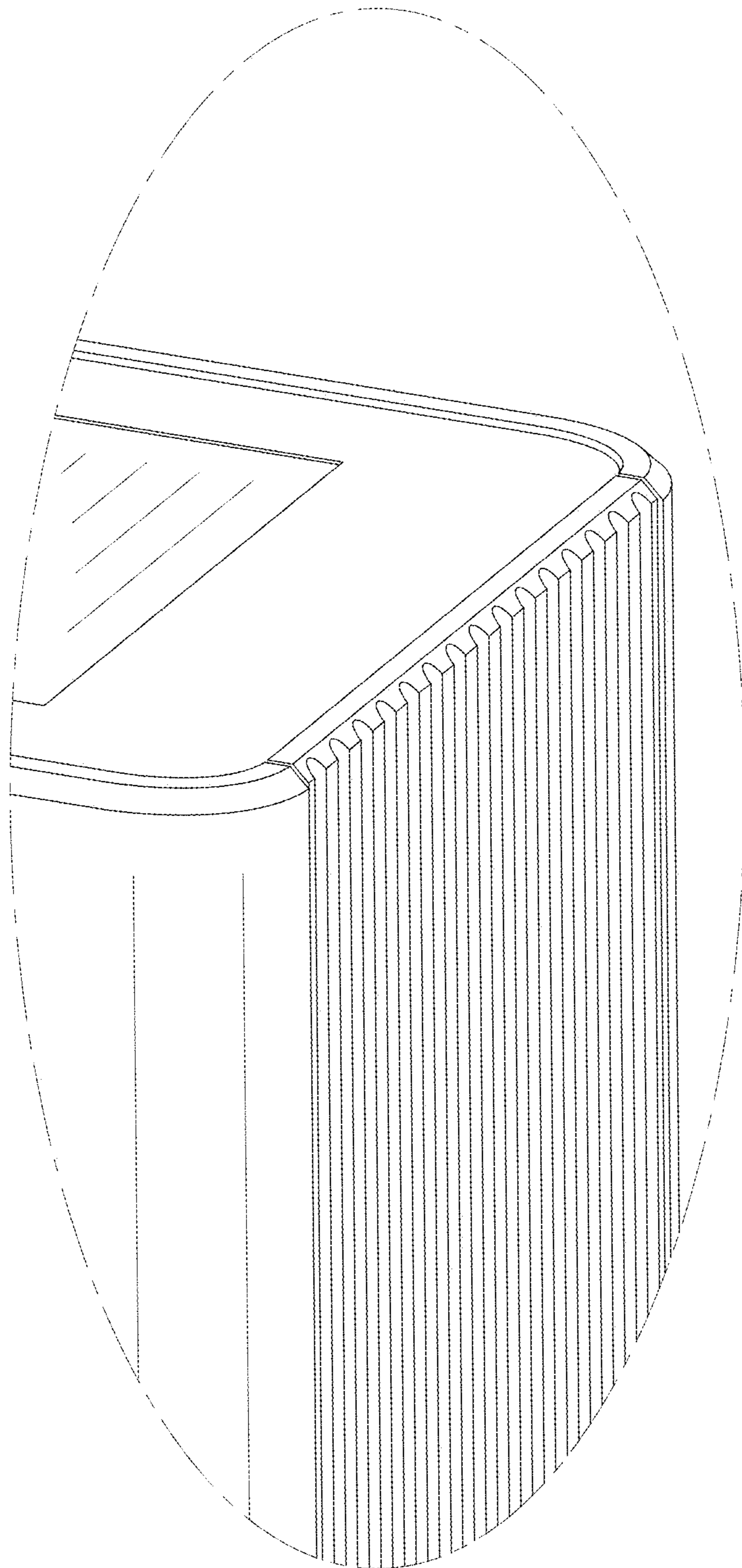


FIG. 9

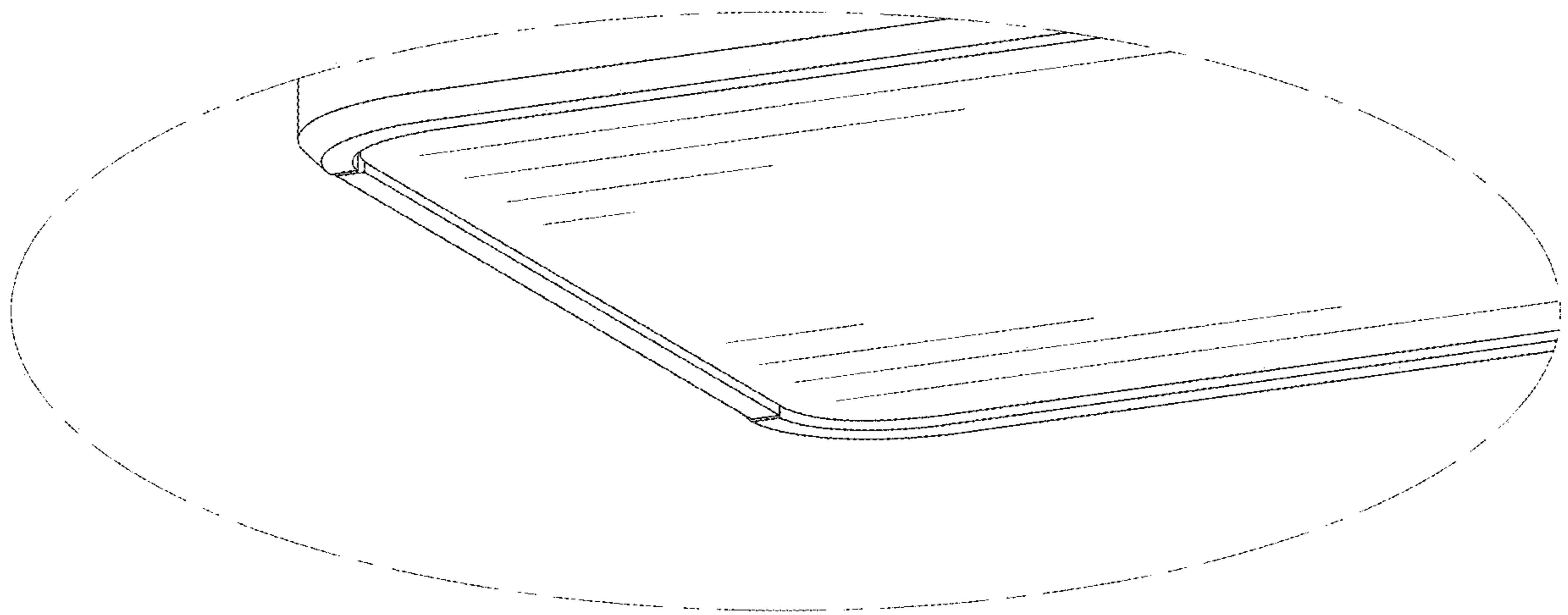


FIG. 10