



US00D943180S

(12) **United States Design Patent** (10) **Patent No.:** **US D943,180 S**  
**Masri** (45) **Date of Patent:** **\*\* Feb. 8, 2022**

(54) <b>HOOKAH</b>	8,757,170 B2 † 6/2014 Kaplani ..... A24F 1/30 131/194
(71) Applicant: <b>Starbuzz Tobacco, Inc.</b> , Foothill Ranch, CA (US)	D742,587 S * 11/2015 Masri ..... D27/162 D748,854 S † 2/2016 Afridi ..... D27/162 D754,392 S † 4/2016 Helou ..... D27/162 D755,439 S † 5/2016 Helou ..... D27/162 D756,439 S 5/2016 Helou
(72) Inventor: <b>Rodney Masri</b> , San Diego, CA (US)	D757,997 S * 5/2016 Elhalwani ..... D27/162 D757,998 S * 5/2016 Elhalwani ..... D27/162 D757,999 S * 5/2016 Elhalwani ..... D27/162 D758,000 S * 5/2016 Elhalwani ..... D27/162
(73) Assignee: <b>Starbuzz Tobacco, Inc.</b> , Foothill Ranch, CA (US)	
(**) Term: <b>15 Years</b>	(Continued)

(21) Appl. No.: **29/750,243**

OTHER PUBLICATIONS

(22) Filed: **Sep. 11, 2020**

Vento Hookah By: Myahookah found on line Mar. 8, 2021 <https://myahookah.com/product/vento-hookah/>.\*

(Continued)

**Related U.S. Application Data**

(62) Division of application No. 29/663,690, filed on Sep. 18, 2018, now Pat. No. Des. 899,675.

(51) **LOC (13) Cl.** ..... **27-02**

(52) **U.S. Cl.**  
USPC ..... **D27/162**

(58) **Field of Classification Search**  
USPC ..... D27/100, 103, 162–165, 167, 168, 169,  
D27/180, 183, 194; D11/154, 157;  
D23/360

CPC ..... A24F 1/30; A24F 1/02; A24F 1/00; A24F  
47/008; A24F 47/002; A61M 11/00

See application file for complete search history.

*Primary Examiner* — Rebecca Tsehaye

(74) *Attorney, Agent, or Firm* — Natu J. Patel; The Patel Law Firm, P.C.

(57) **CLAIM**

The ornamental design for a hookah, as shown and described.

**DESCRIPTION**

FIG. 1 is a top perspective view of a hookah embodying the new design;

FIG. 2 is a bottom perspective view thereof;

FIG. 3 is a top plan view thereof;

FIG. 4 is a bottom plan view thereof;

FIG. 5 is a left side elevation view thereof;

FIG. 6 is a right side elevation view thereof;

FIG. 7 is a rear elevation view thereof; and,

FIG. 8 is a front elevation view thereof.

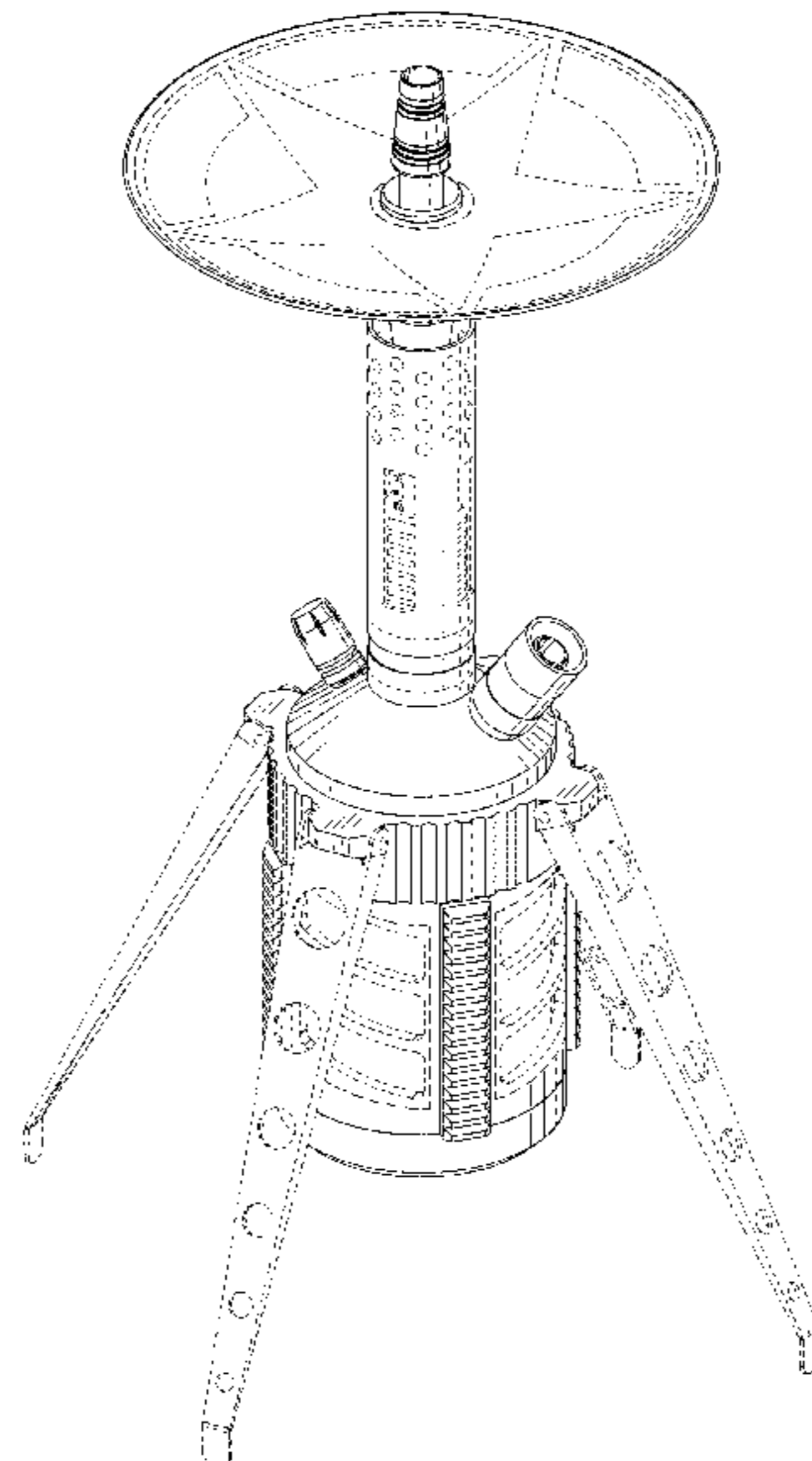
The broken lines in the drawings depict portions of the hookah that form no part of the claimed design.

(56) **References Cited**

U.S. PATENT DOCUMENTS

D368,324 S †	3/1996	Heine	.....	D27/162
D547,489 S *	7/2007	Kassir	.....	D27/162
D554,797 S *	11/2007	Kassir	.....	D27/162
D558,919 S †	1/2008	Kassir	.....	D27/162
D561,388 S †	2/2008	Kassir	.....	D27/162
D584,853 S †	1/2009	Kassir	.....	D27/162
D622,099 S †	8/2010	Pike	.....	D27/162
7,827,995 B2 *	11/2010	Chaoui	.....	A24F 1/30 131/173

**1 Claim, 8 Drawing Sheets**





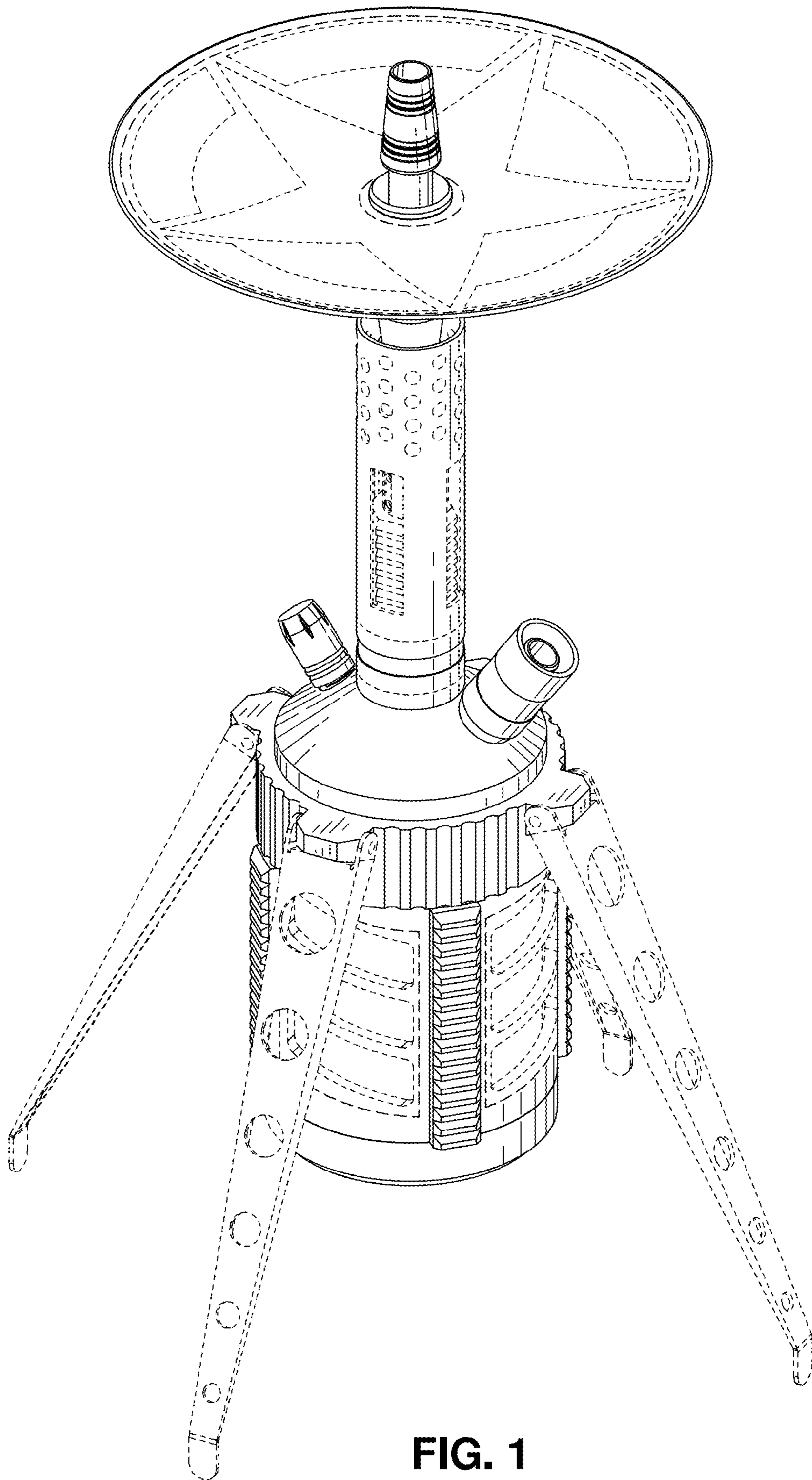


FIG. 1

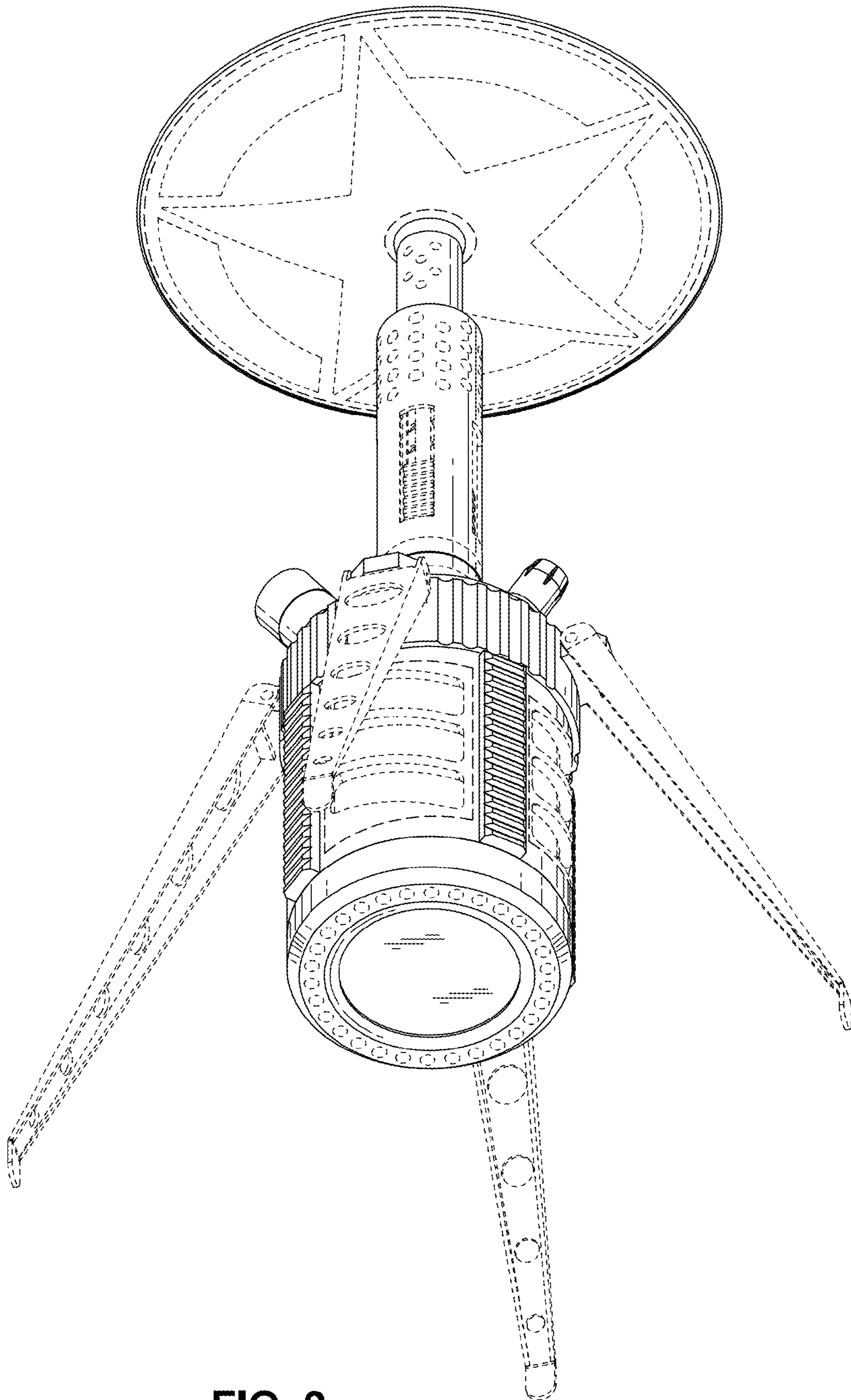
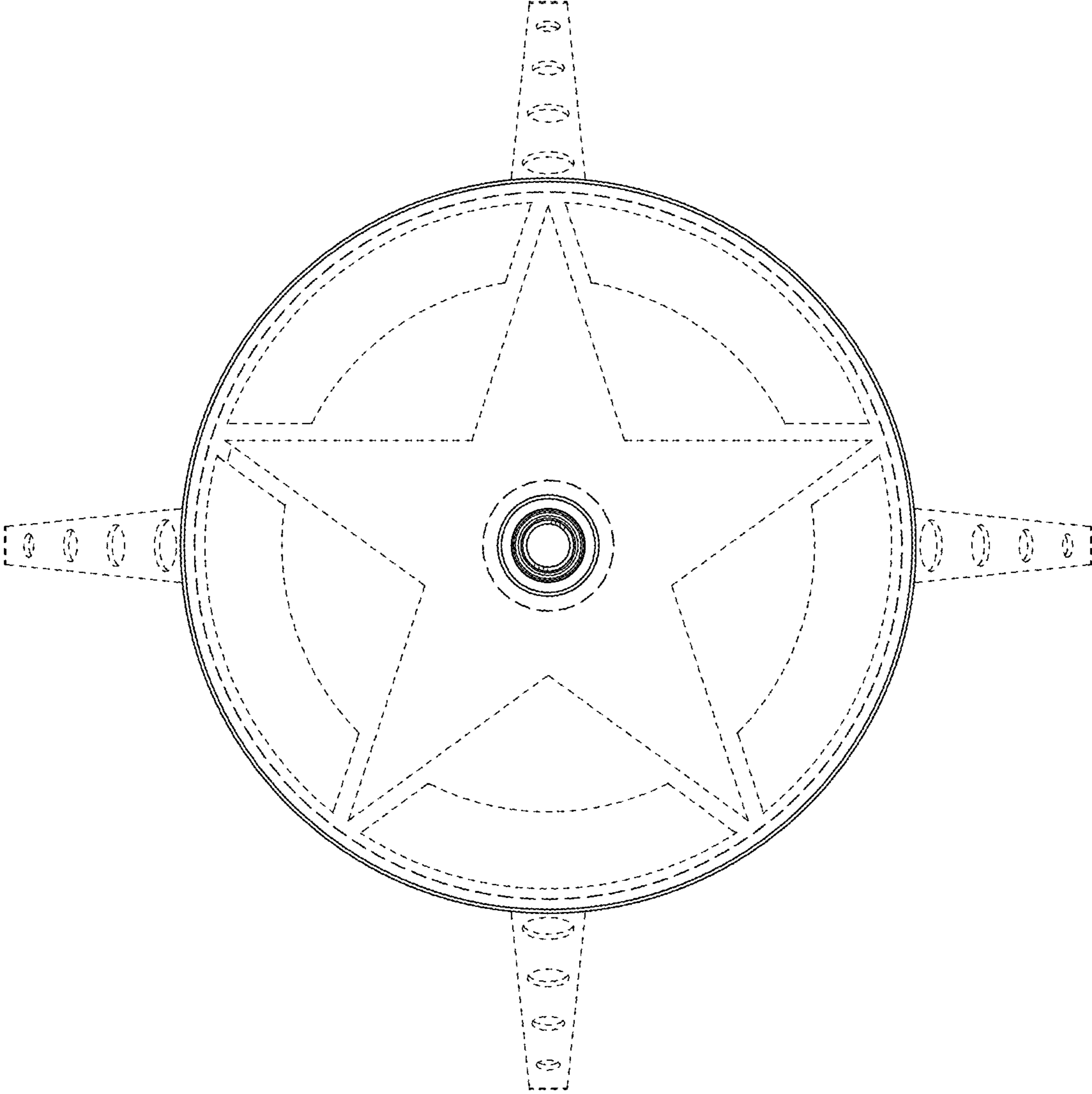


FIG. 2



**FIG. 3**

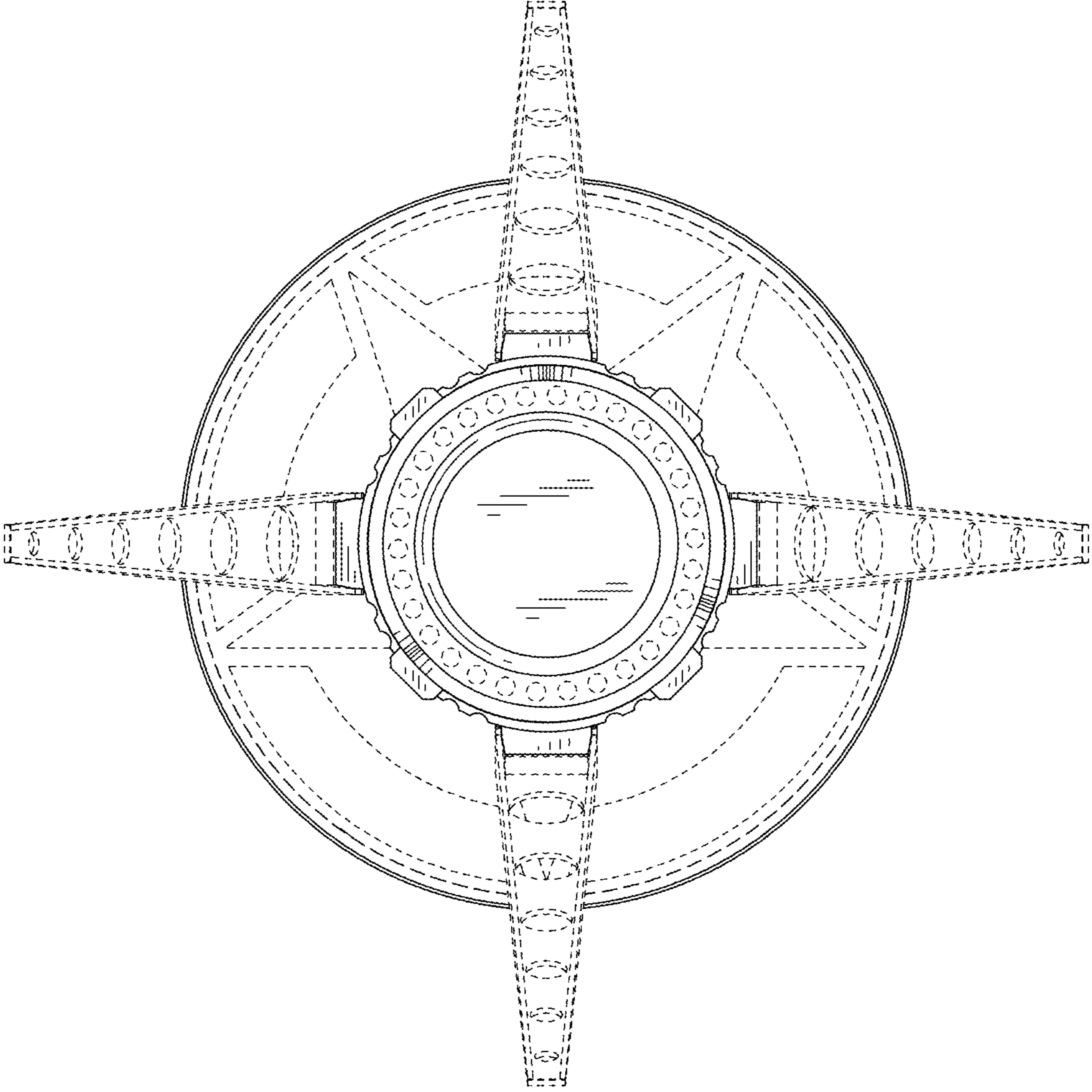
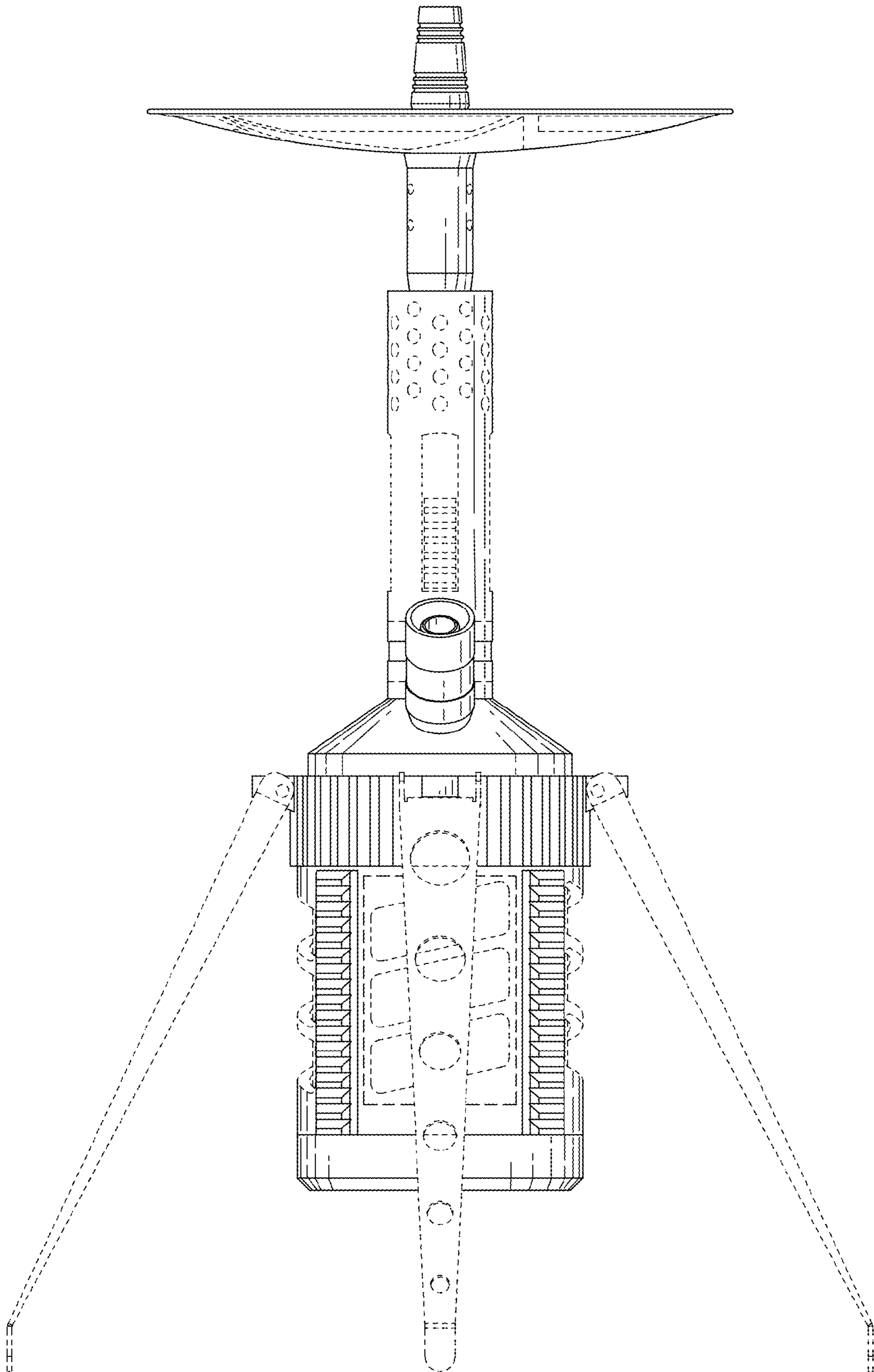
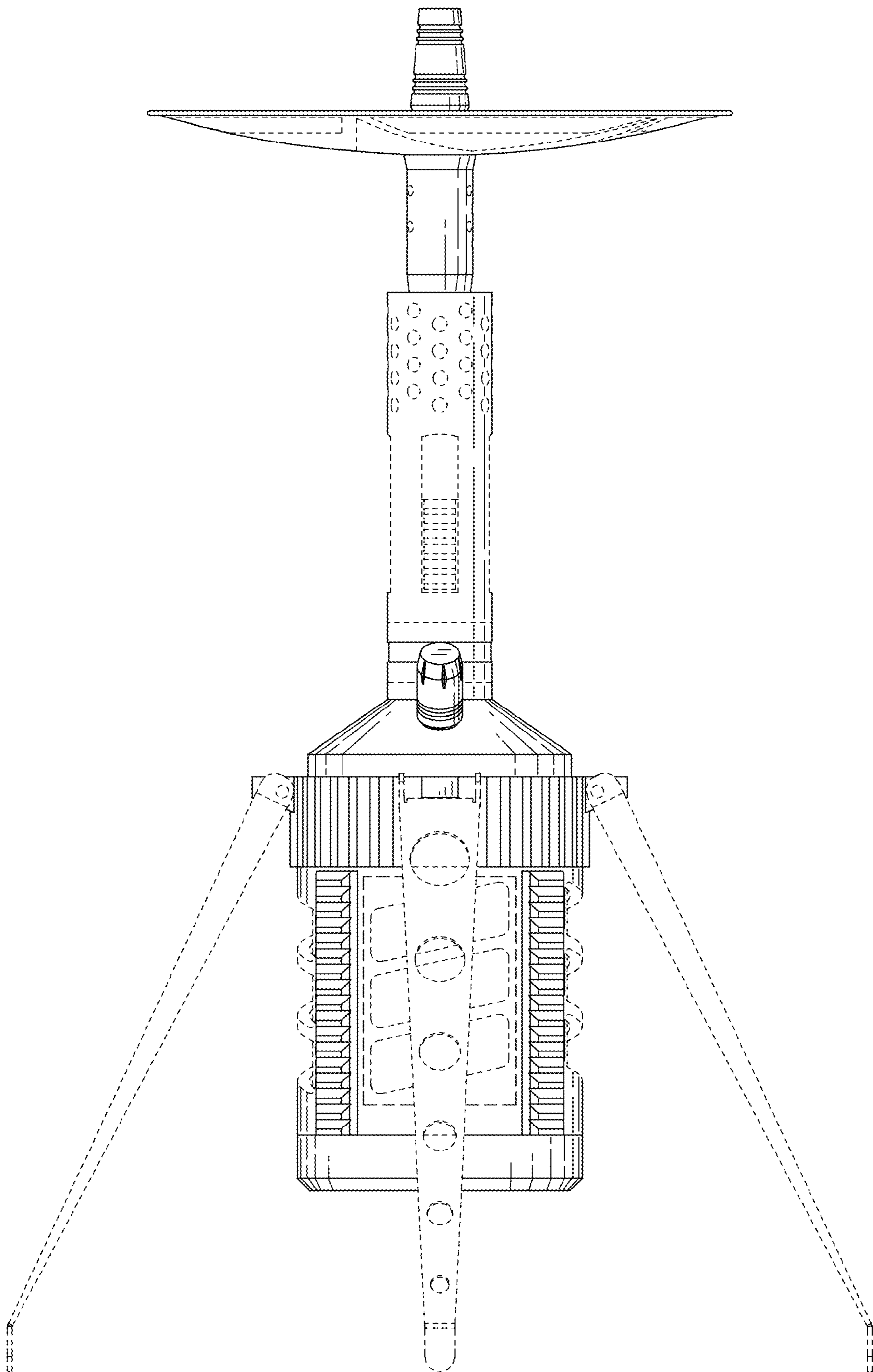


FIG. 4



**FIG. 5**



**FIG. 6**



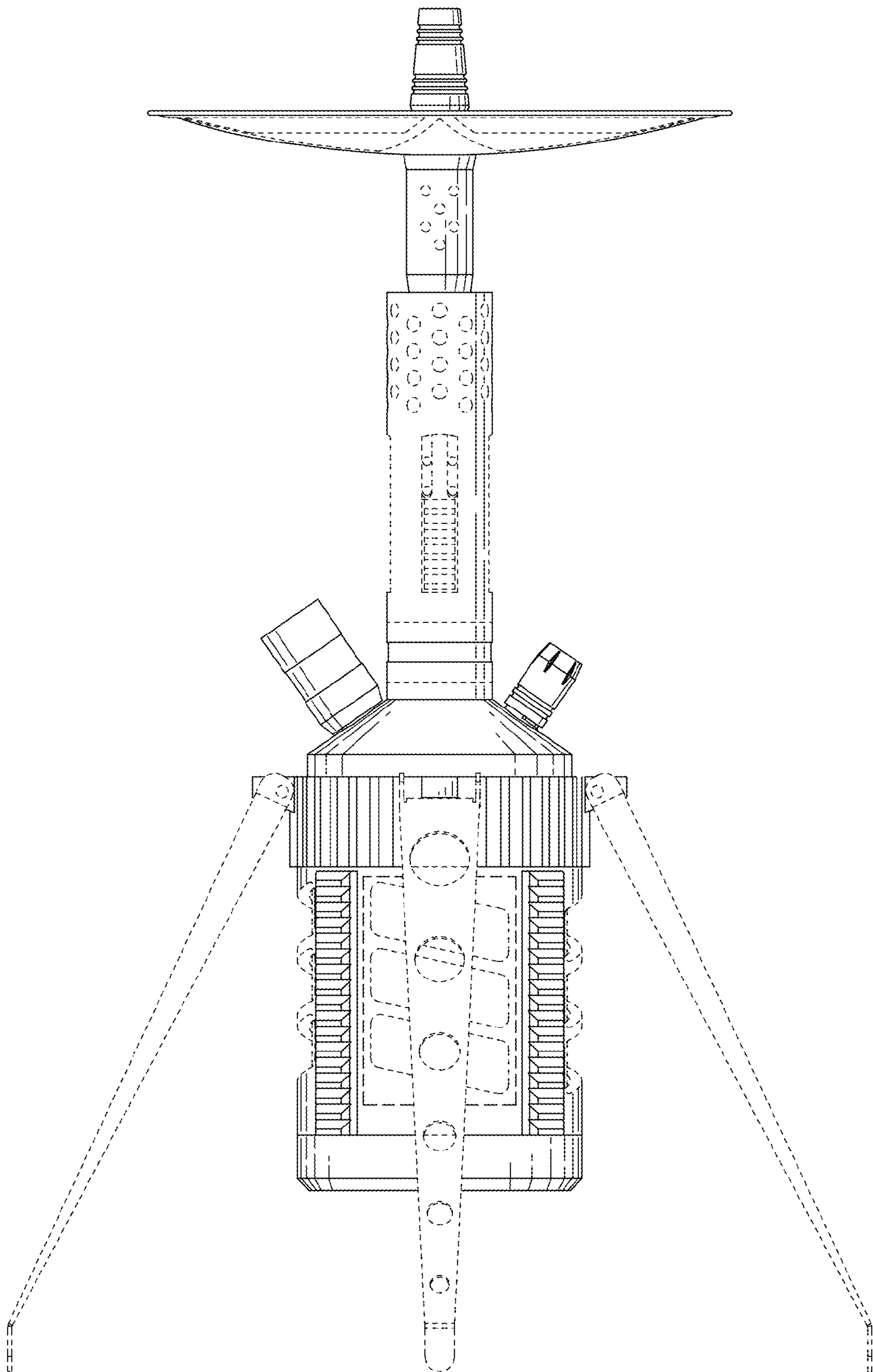


FIG. 7

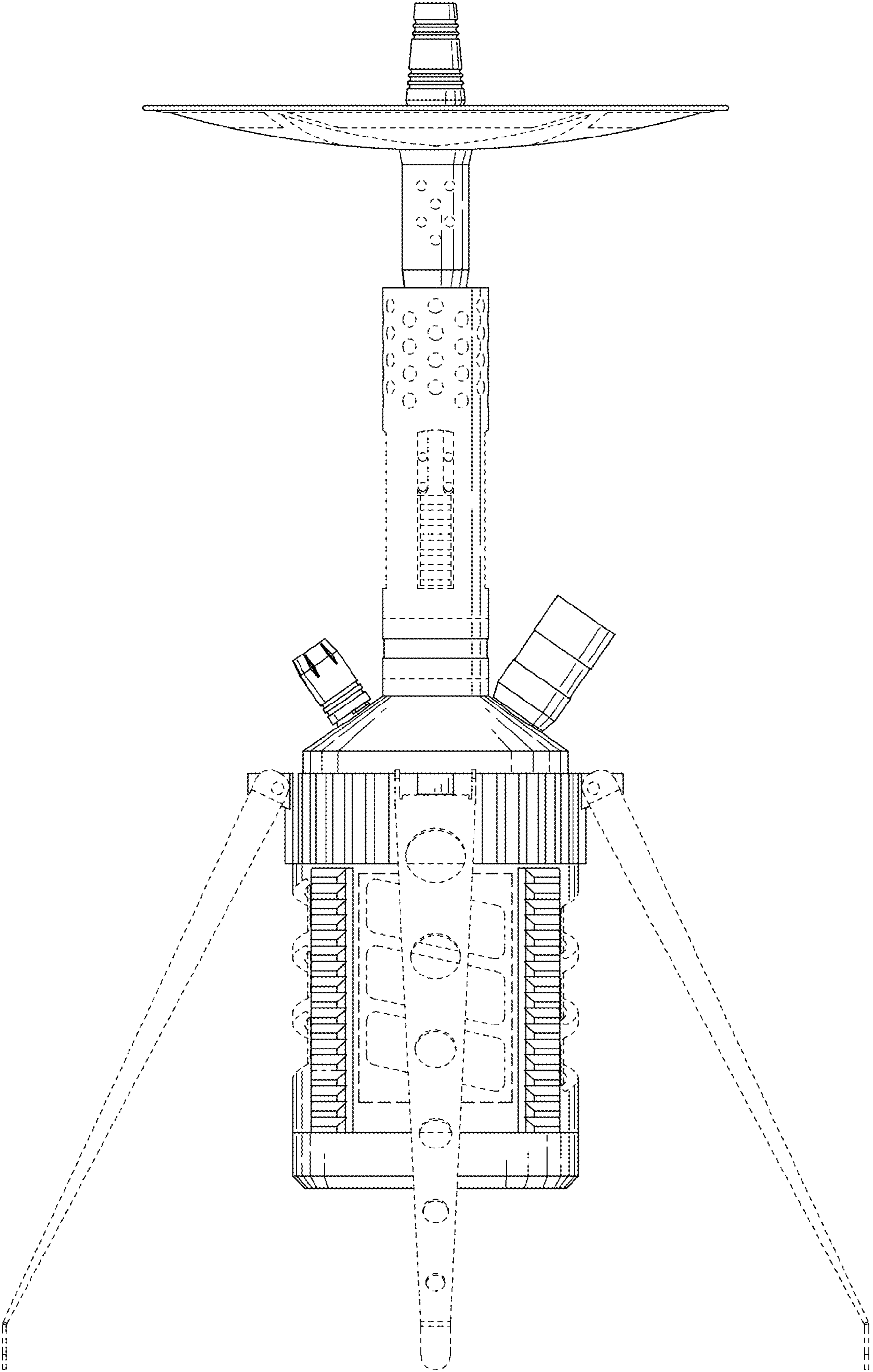


FIG. 8