



US00D943178S

(12) **United States Design Patent** (10) **Patent No.:** **US D943,178 S**
Liu (45) **Date of Patent:** **** Feb. 8, 2022**

(54) **ATOMIZING CORE FOR ELECTRONIC CIGARETTE**

(71) Applicant: **Tuanfang Liu**, Shenzhen (CN)
(72) Inventor: **Tuanfang Liu**, Shenzhen (CN)
(**) Term: **15 Years**
(21) Appl. No.: **29/745,082**
(22) Filed: **Aug. 3, 2020**

Related U.S. Application Data

(63) Continuation-in-part of application No. 29/736,321, filed on May 29, 2020, now abandoned.

Foreign Application Priority Data

Nov. 29, 2019 (CN) 201930663015.X

(51) **LOC (13) Cl.** **27-02**

(52) **U.S. Cl.**
USPC **D27/162**

(58) **Field of Classification Search**
USPC D27/162, 100, 101, 163–172, 180–194,
D27/196; D23/360, 366; D24/110,
D24/110.5; D8/72, 105, 388, 395;
D28/91.1
CPC A24F 47/008; A24F 47/006; A24F 47/002;
A24F 40/00; A24F 40/40; A24F 40/42;
A61M 15/00; A61M 15/06

See application file for complete search history.

(56) **References Cited**

U.S. PATENT DOCUMENTS

D649,285	S	*	11/2011	Maldonado	D27/196
D754,918	S	*	4/2016	Jergenson	D27/163
D777,372	S	*	1/2017	Liu	D27/167
D817,543	S	*	5/2018	Liu	D27/167
D886,367	S	*	6/2020	Harthoorn	D27/194
D927,058	S	*	8/2021	Liu	D27/162
2021/0106056	A1	*	4/2021	Liu	H05B 3/46
2021/0106057	A1	*	4/2021	Liu	H05B 3/42

* cited by examiner

Primary Examiner — Rebecca Tshaye

(74) *Attorney, Agent, or Firm* — Matthias Scholl P.C.;
Matthias Scholl

(57) **CLAIM**

The ornamental design for an atomizing core for an electronic cigarette, as shown and described.

DESCRIPTION

FIG. 1 is a front elevation view of an atomizing core for an electronic cigarette;

FIG. 2 is a rear elevation view thereof;

FIG. 3 is a left-side elevation view thereof;

FIG. 4 is a right-side elevation view thereof;

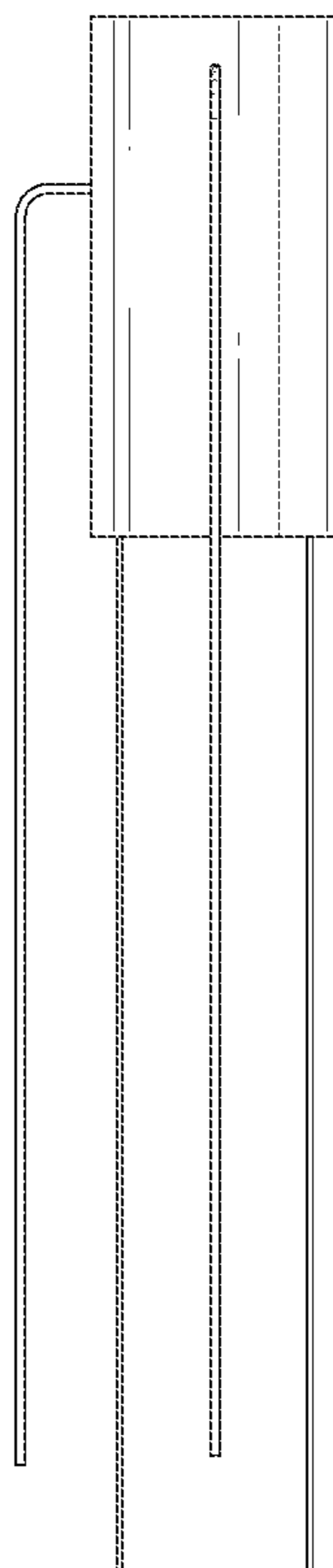
FIG. 5 is a top plan view thereof;

FIG. 6 is a bottom plan view thereof;

FIG. 7 is a perspective view thereof; and,

FIG. 8 is another perspective view thereof.

1 Claim, 8 Drawing Sheets



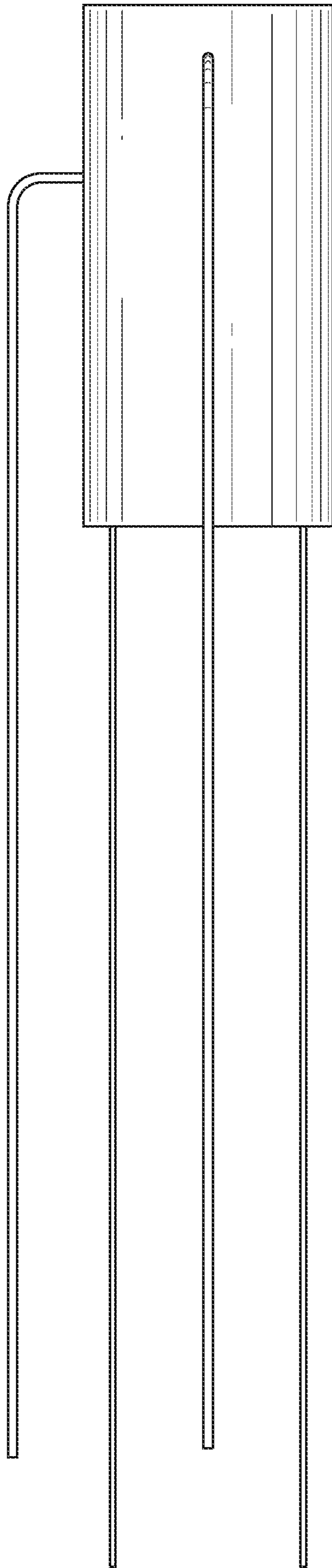


FIG. 1

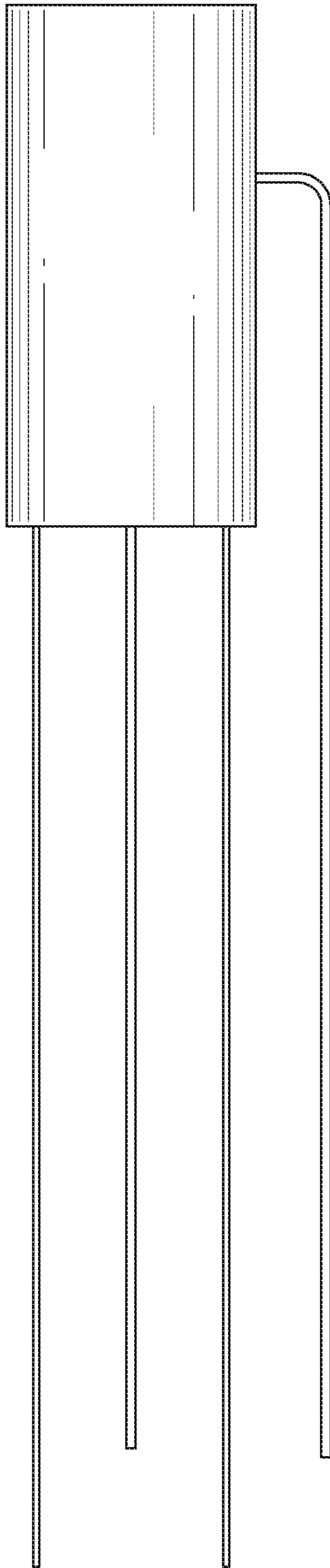


FIG. 2

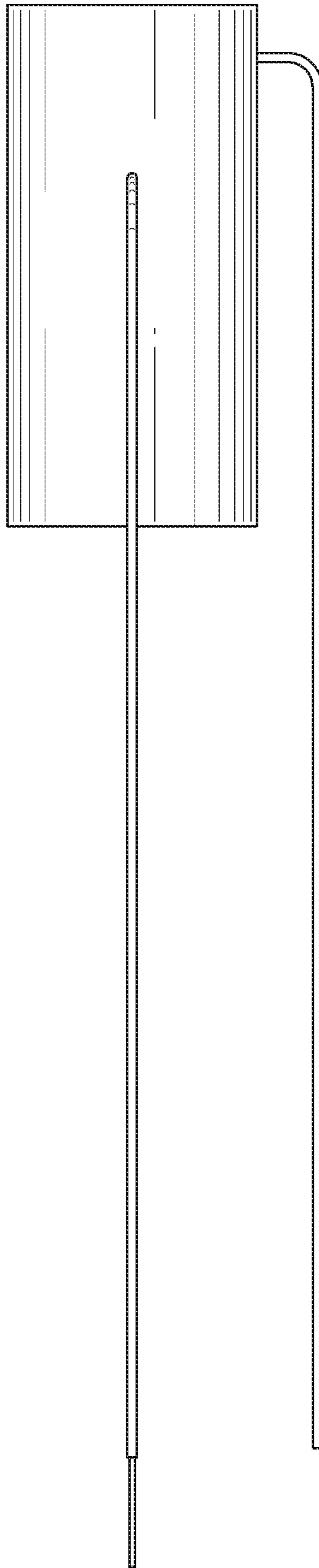


FIG. 3

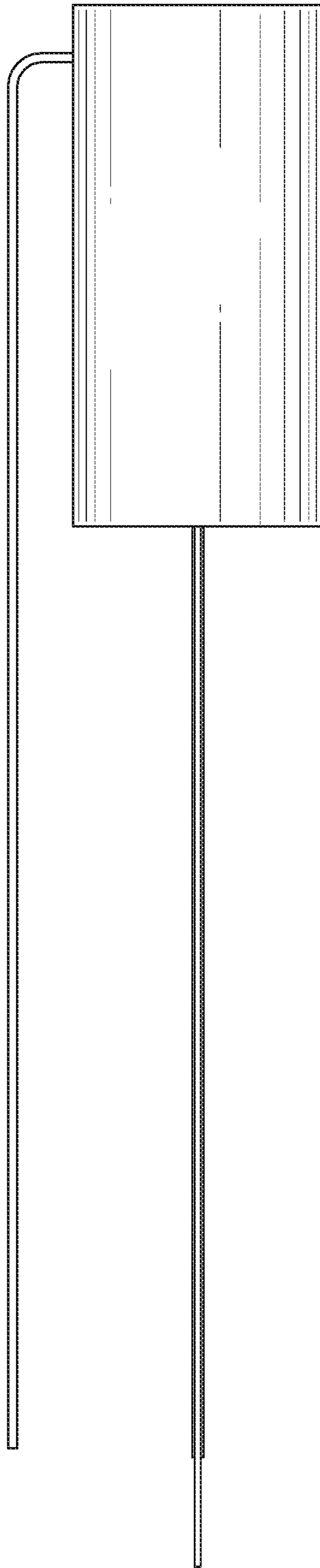


FIG. 4

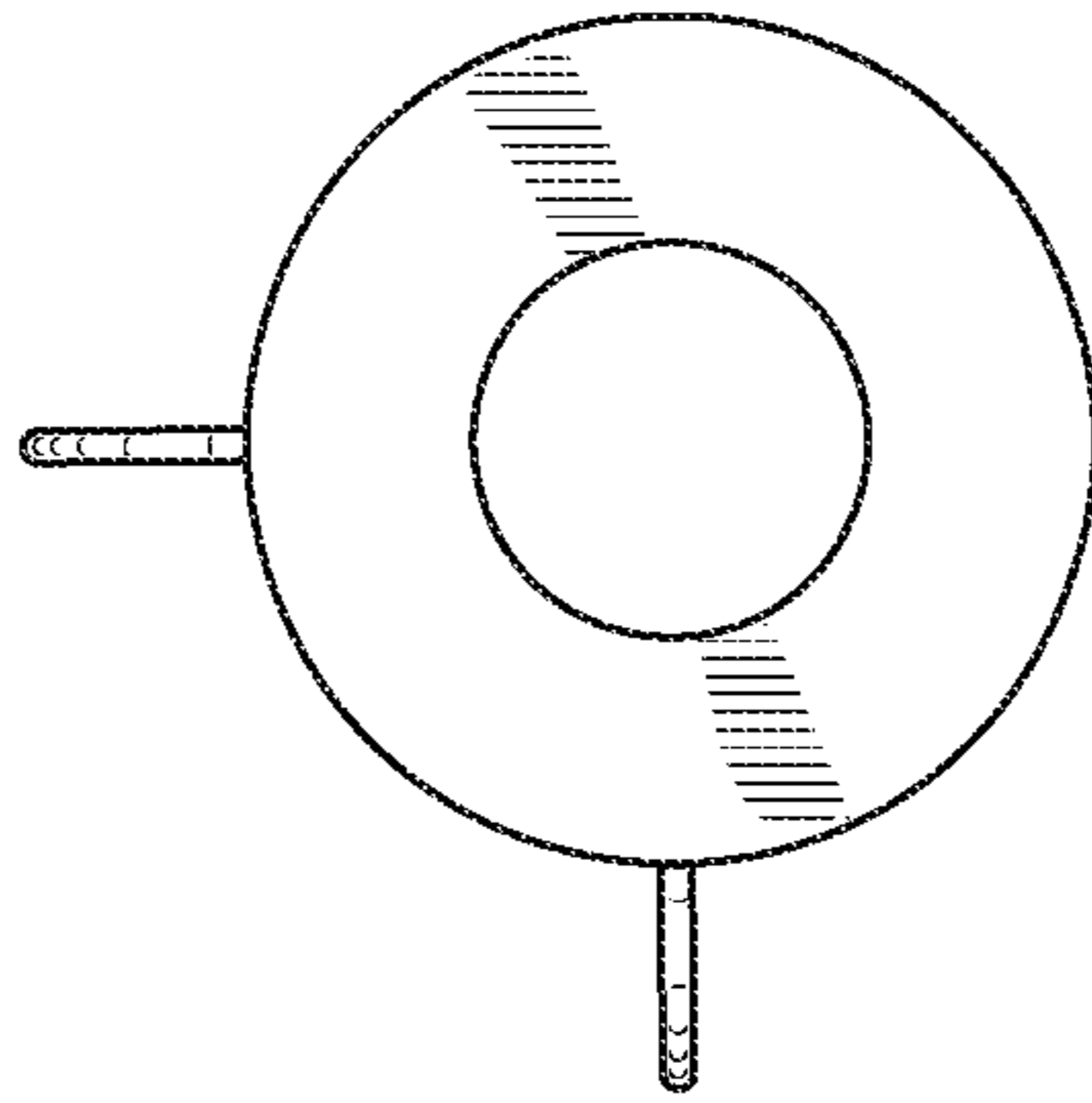


FIG. 5

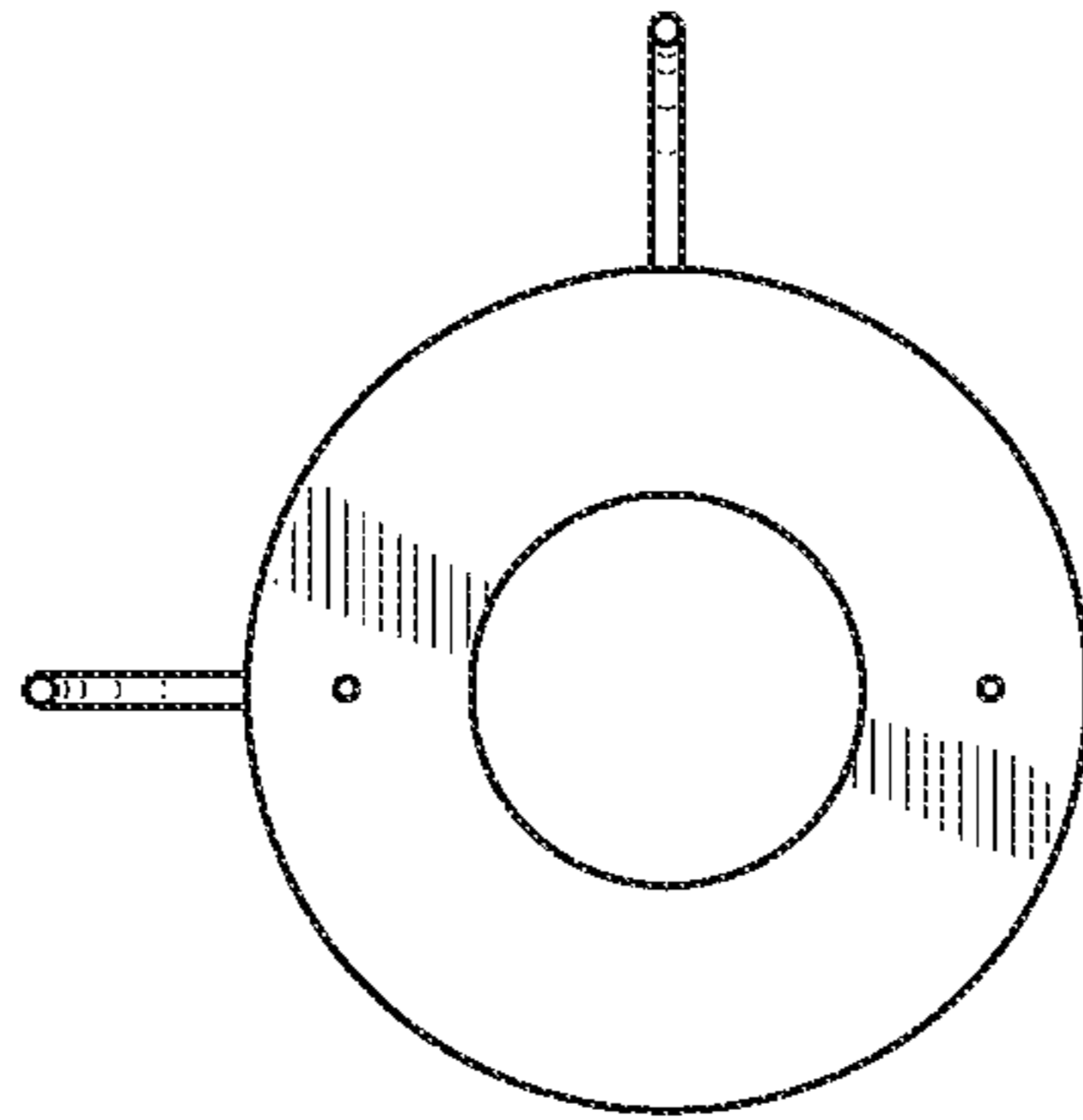


FIG. 6

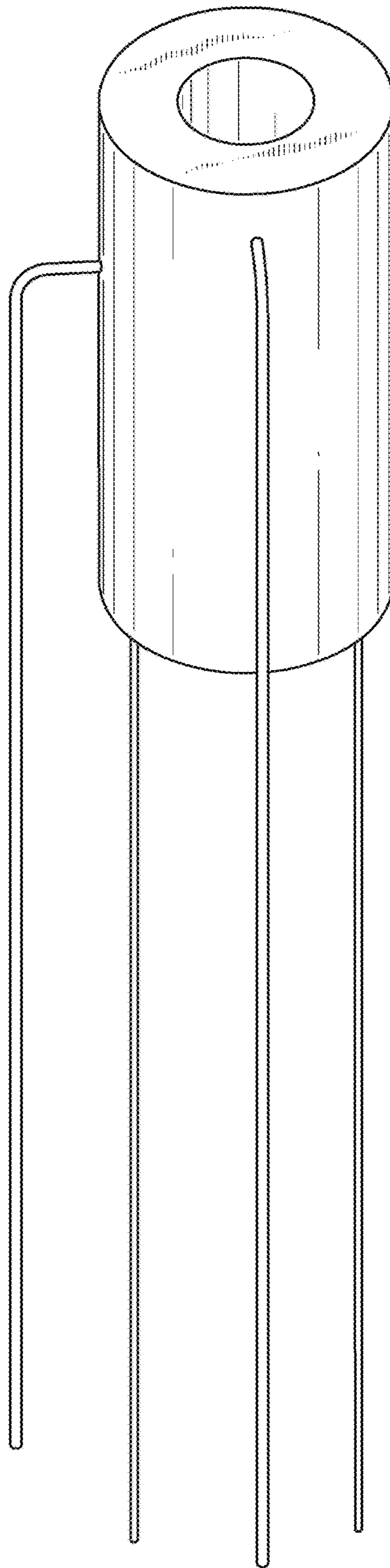


FIG. 7

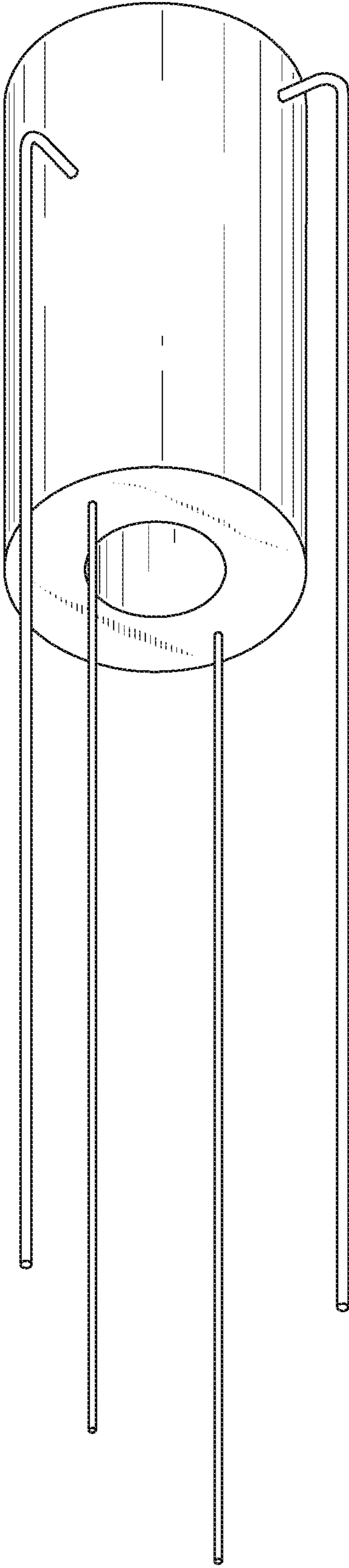


FIG. 8