

US00D943177S

(12) **United States Design Patent** (10) **Patent No.:** **US D943,177 S**
Liu (45) **Date of Patent:** **** Feb. 8, 2022**

(54) **ELECTRONIC HOOKAH**
(71) Applicant: **Shenzhen Eigate Technology Co., Ltd.**, Shenzhen (CN)
(72) Inventor: **Tuanfang Liu**, Shenzhen (CN)
(73) Assignee: **SHENZHEN EIGATE TECHNOLOGY CO., LTD.**, Shenzhen (CN)

D869,752 S * 12/2019 Dong D27/162
D883,567 S * 5/2020 Liu D27/162
D900,387 S * 10/2020 Liu D27/162
D917,778 S * 4/2021 Liu D27/162
D923,867 S * 6/2021 Liu D27/167
D926,360 S * 7/2021 Liu D27/162
D926,365 S * 7/2021 Liu D27/167
D928,397 S * 8/2021 Liu D27/162
2019/0124990 A1* 5/2019 Qiu A24F 40/485

(**) Term: **15 Years**
(21) Appl. No.: **29/743,127**
(22) Filed: **Jul. 19, 2020**

(30) **Foreign Application Priority Data**
Jan. 19, 2020 (CN) 202030038307.7
(51) **LOC (13) Cl.** **27-02**
(52) **U.S. Cl.**
USPC **D27/162**
(58) **Field of Classification Search**
USPC D27/100, 103, 162-165, 167, 169, 172,
D27/180, 183, 194; D23/360
CPC A24F 1/30; A24F 1/02; A24F 1/00; A24F
47/008; A24F 47/002; A61M 11/00
See application file for complete search history.

(56) **References Cited**
U.S. PATENT DOCUMENTS
D710,488 S * 8/2014 Alima D23/363
D826,471 S * 8/2018 Wang D27/167
D854,739 S * 7/2019 Li D27/162
D861,978 S * 10/2019 Lai D27/167

OTHER PUBLICATIONS

Atomizer, By: Lazada found on line Jul. 30, 2021 <https://www.lazada.com.ph/products/legit-drop-atomizer-blue-by-digi-flavor-i284614447.html> Aug. 24, 2019.*

* cited by examiner

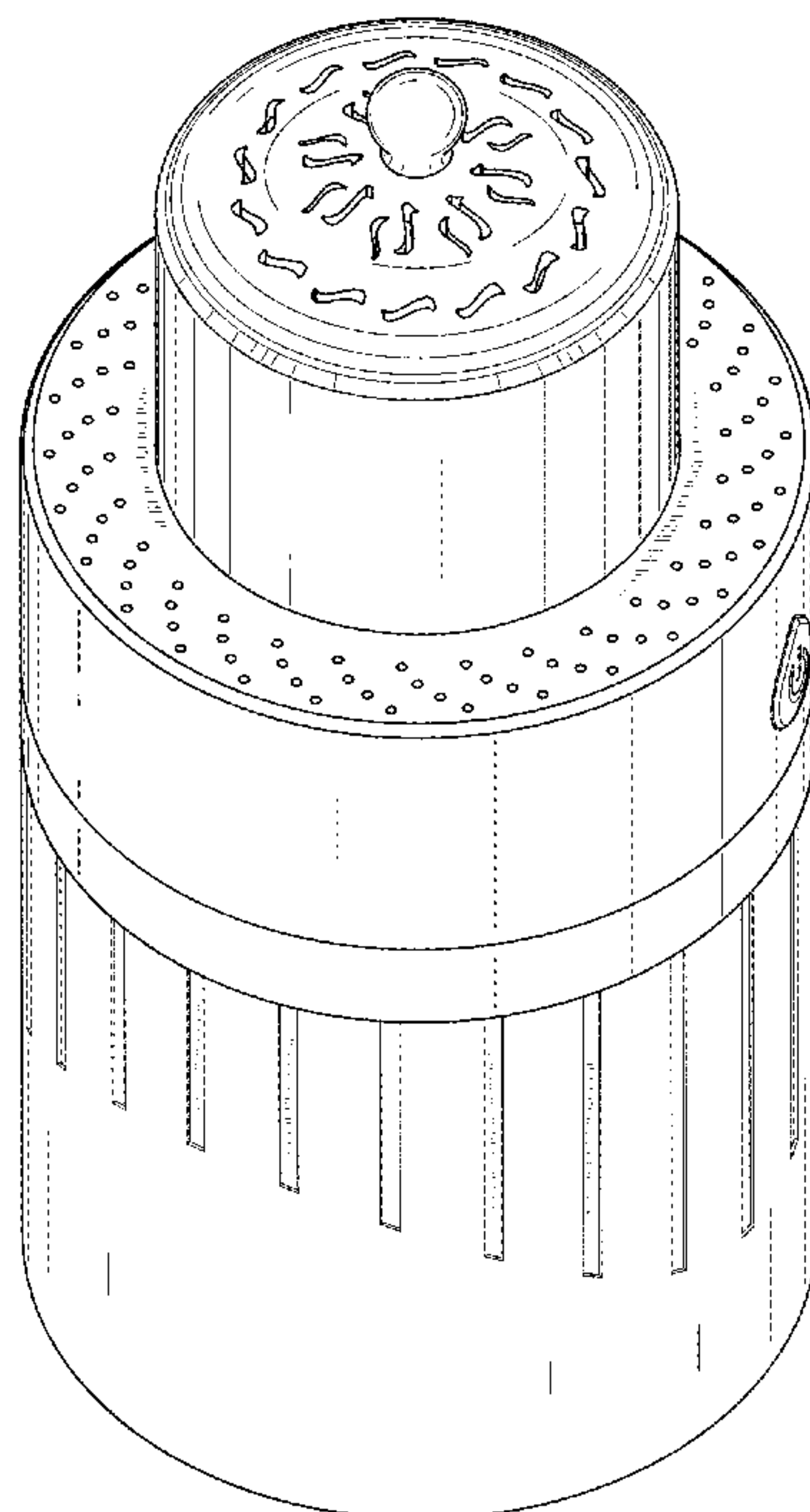
Primary Examiner — Rebecca Tsehaye
(74) *Attorney, Agent, or Firm* — Matthias Scholl P.C.; Matthias Scholl

(57) **CLAIM**
The ornamental design for an electronic hookah, as shown and described.

DESCRIPTION

FIG. 1 is a front elevation view of an electronic hookah; FIG. 2 is a rear elevation view thereof; FIG. 3 is a left-side elevation view thereof; FIG. 4 is a right-side elevation view thereof; FIG. 5 is a top plan view thereof; FIG. 6 is a bottom plan view thereof; FIG. 7 is a perspective view thereof; and, FIG. 8 is a bottom perspective view thereof. The broken lines depict portions of the electronic hookah that form no part of the claimed design.

1 Claim, 8 Drawing Sheets



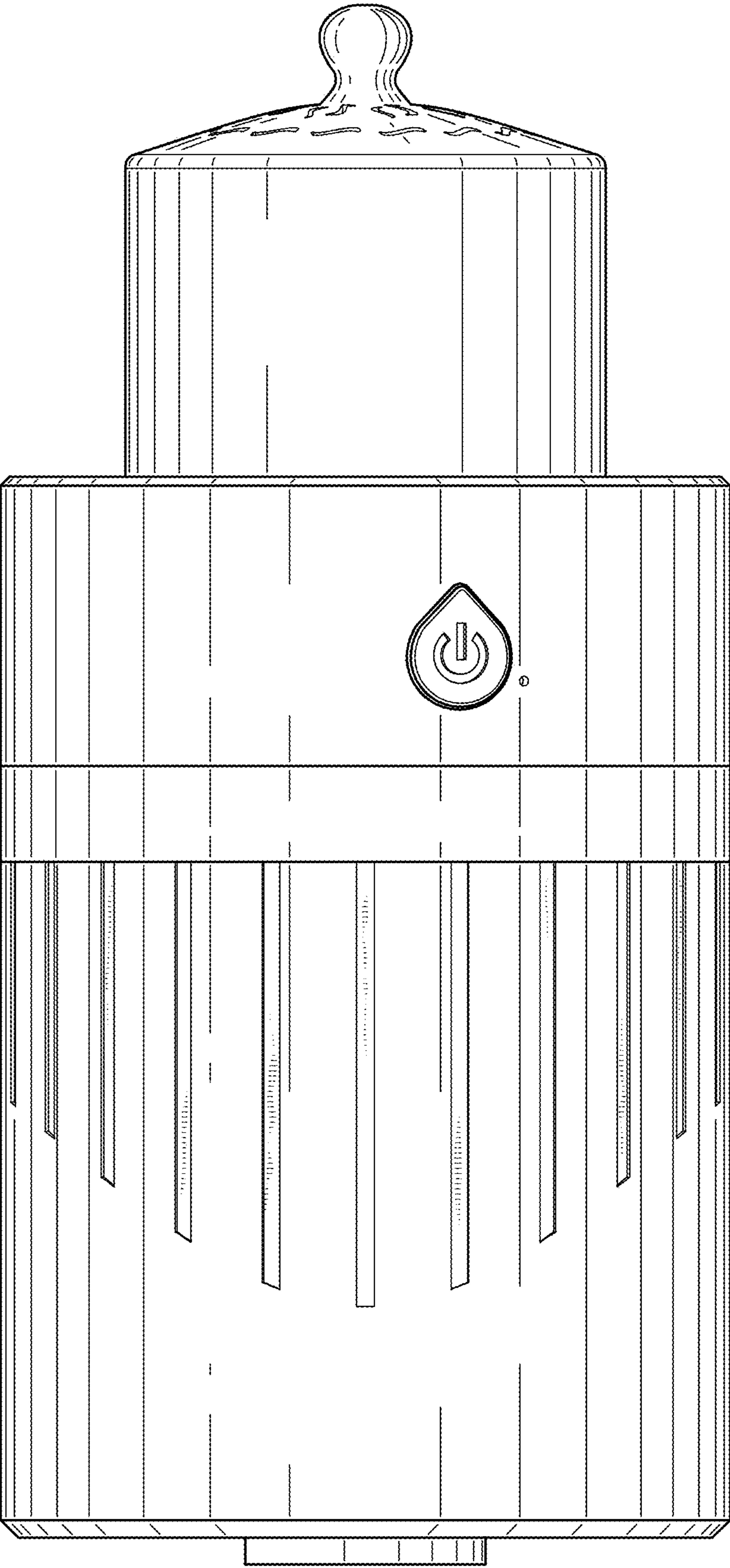


FIG. 1

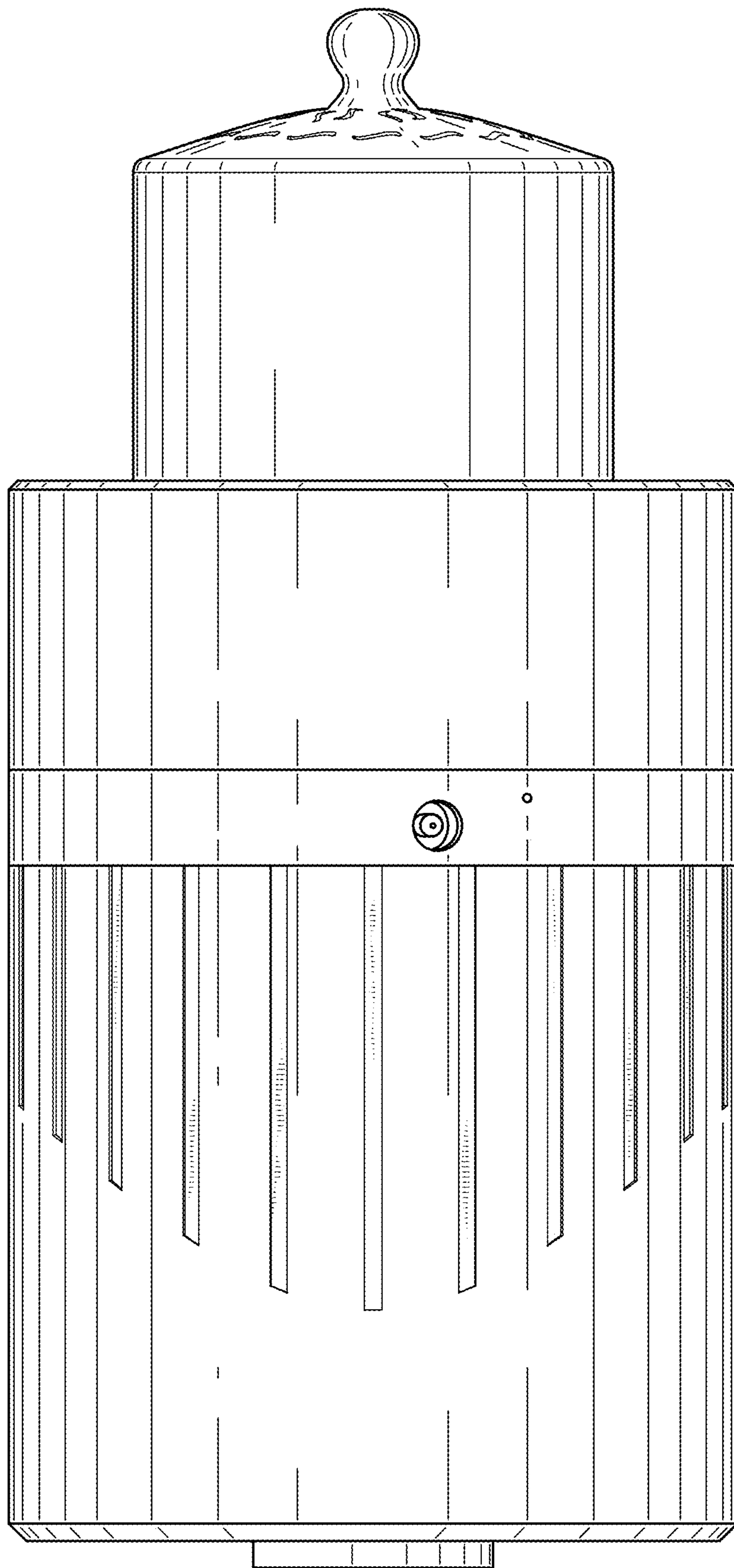


FIG. 2

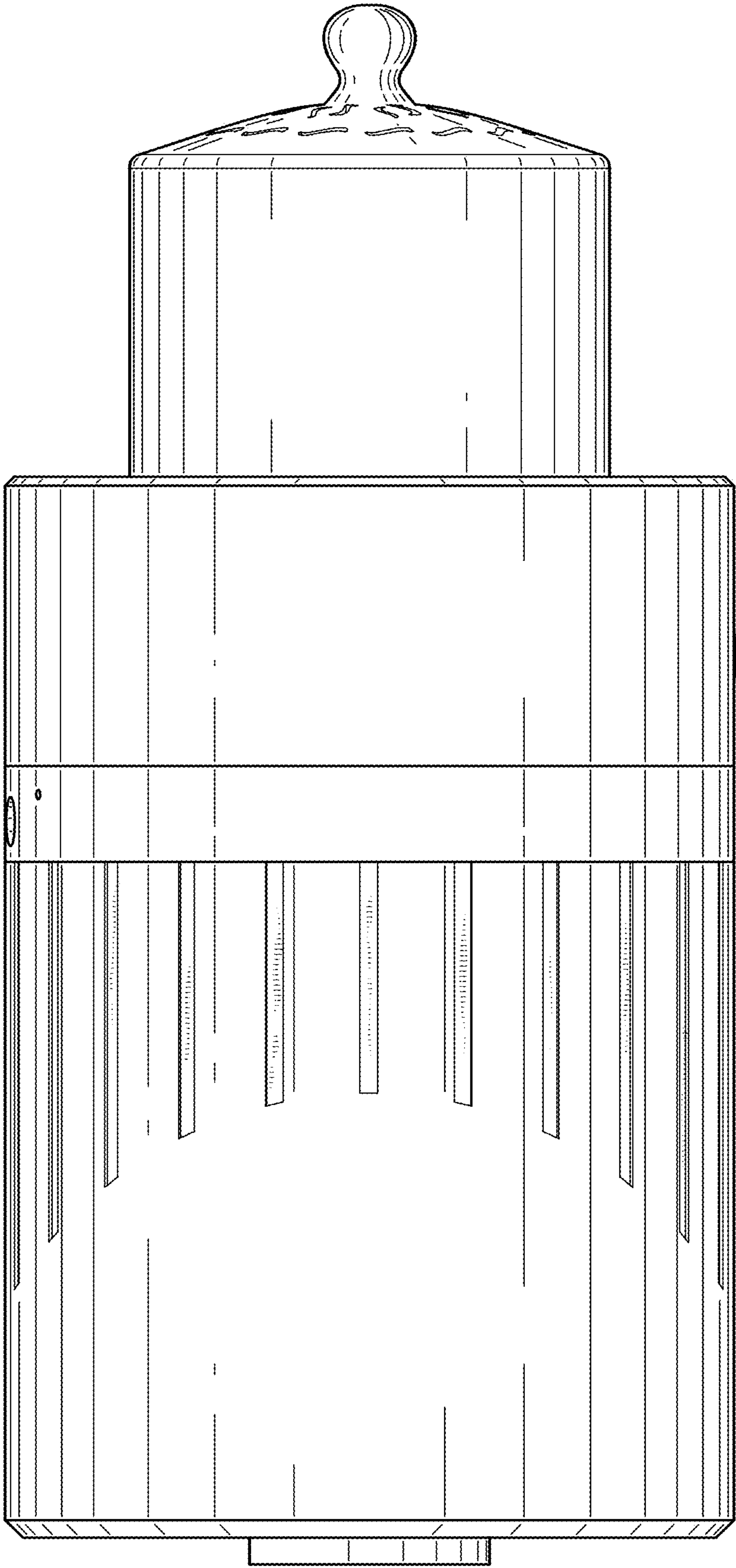


FIG. 3

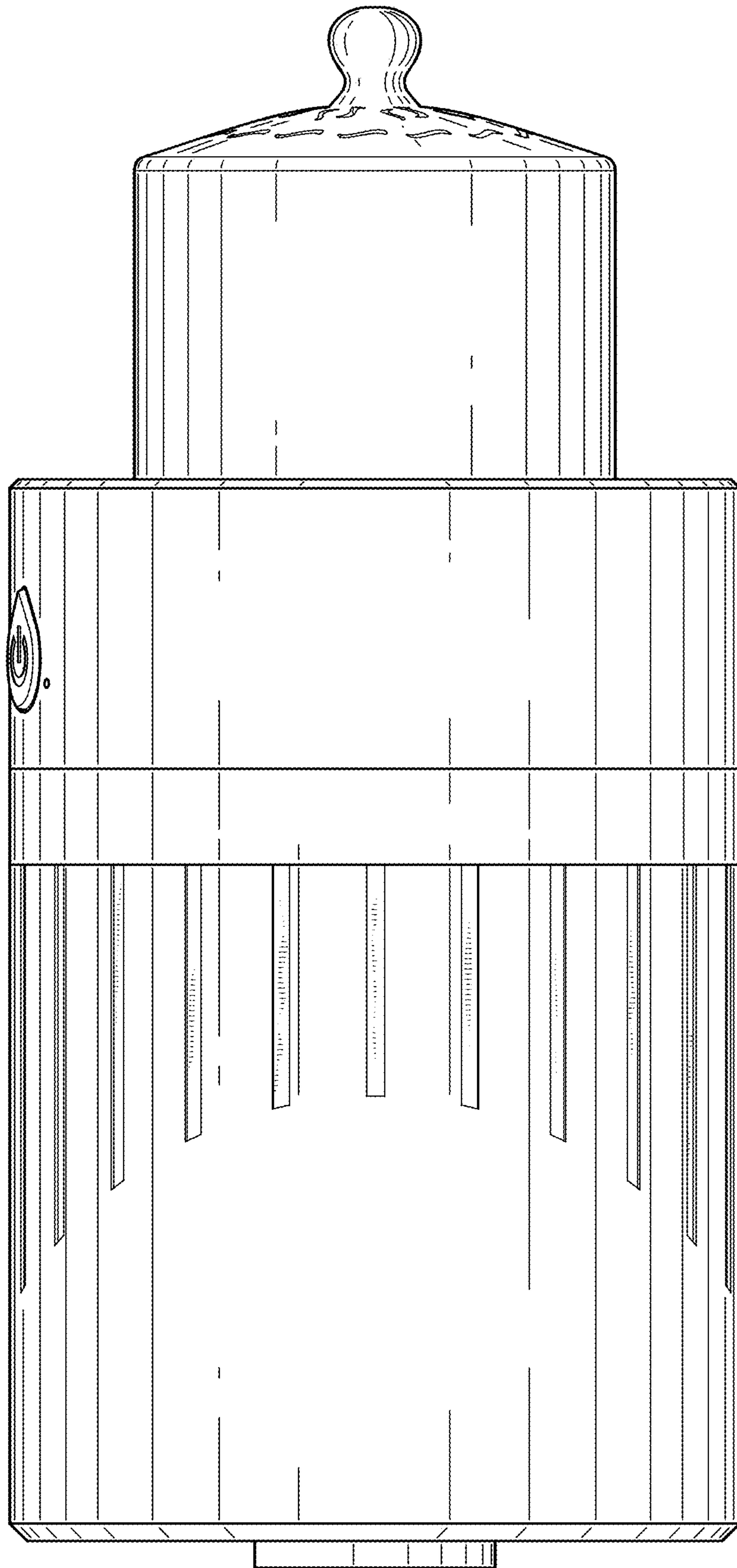


FIG. 4

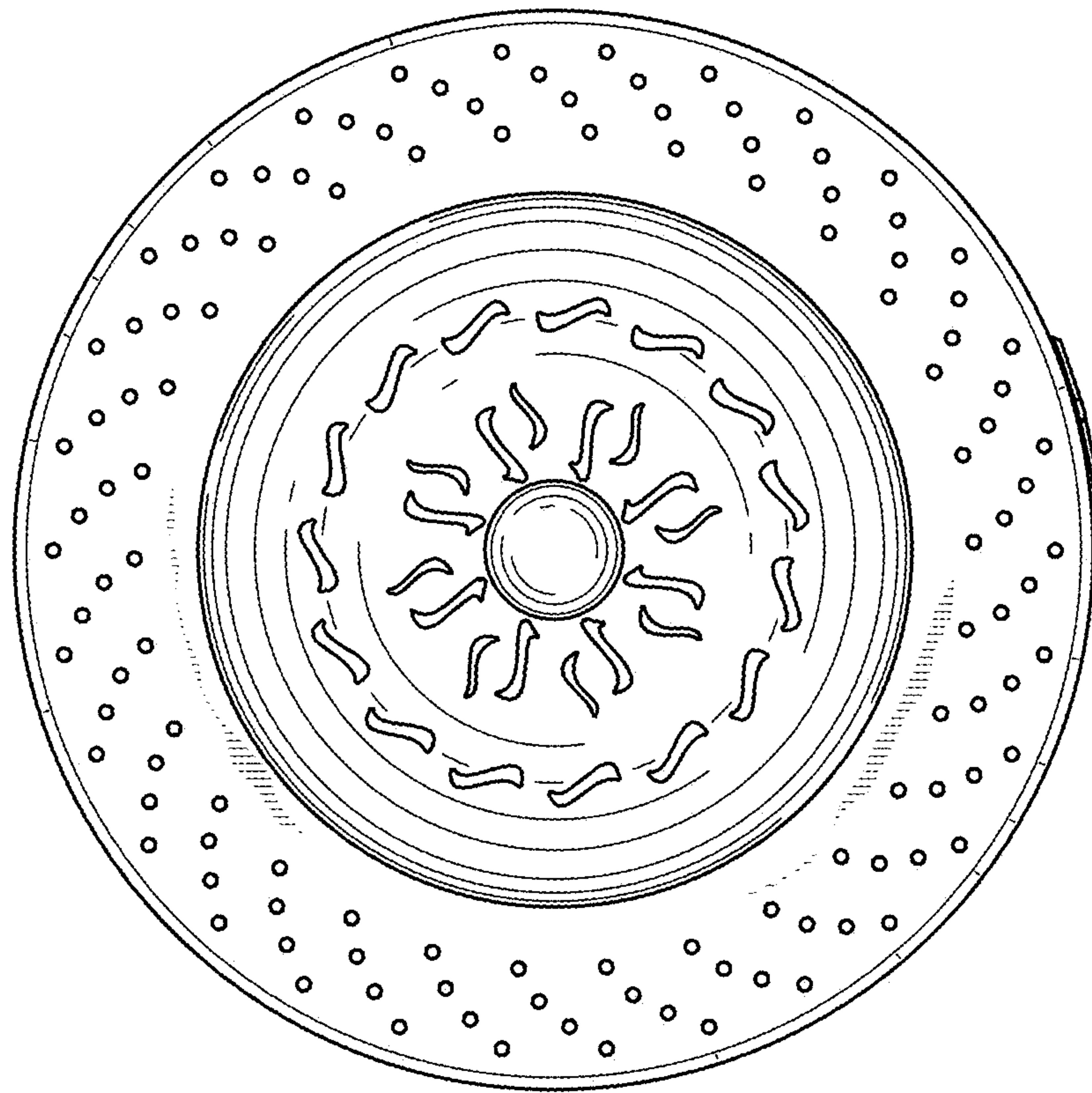


FIG. 5

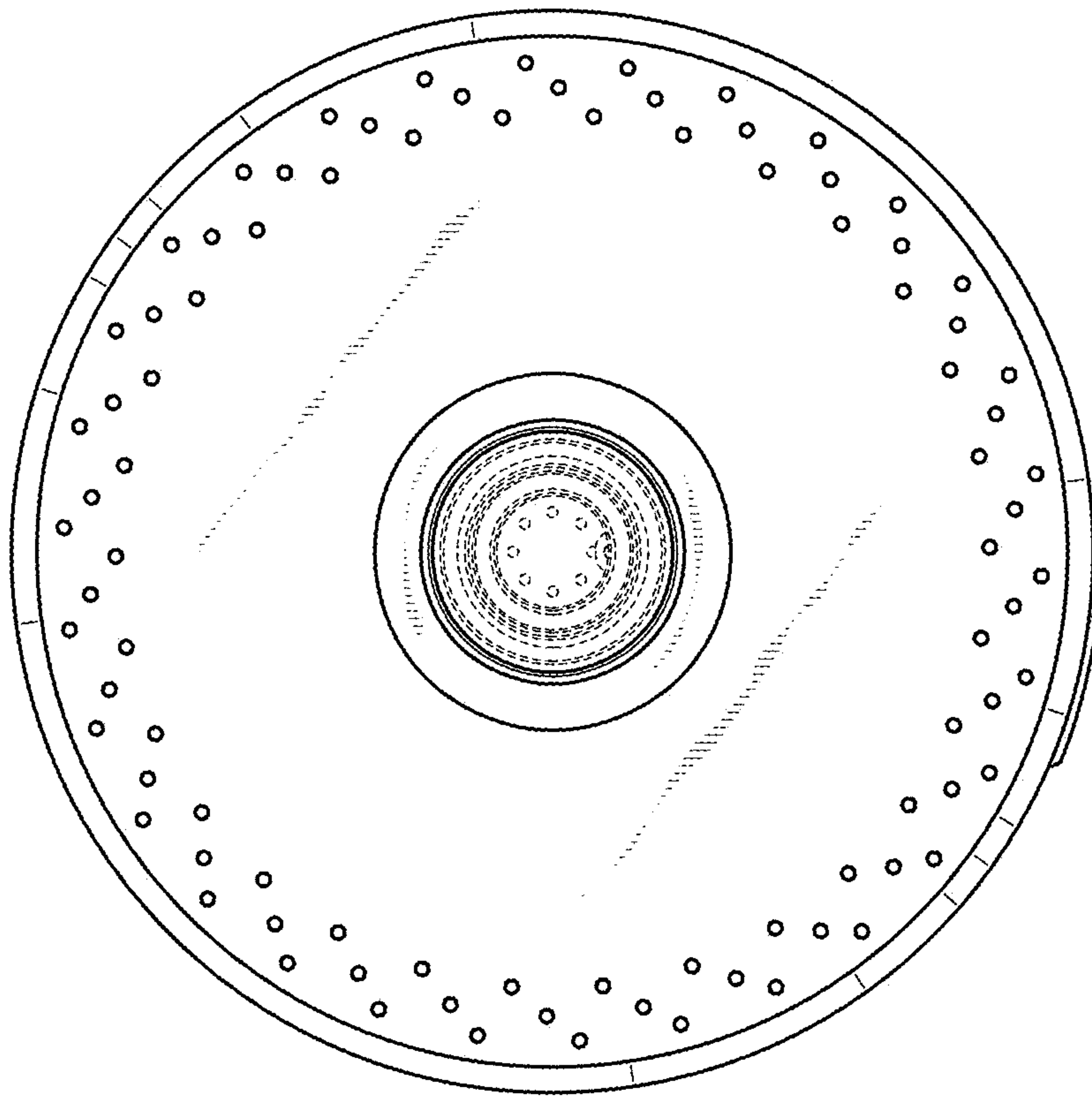


FIG. 6

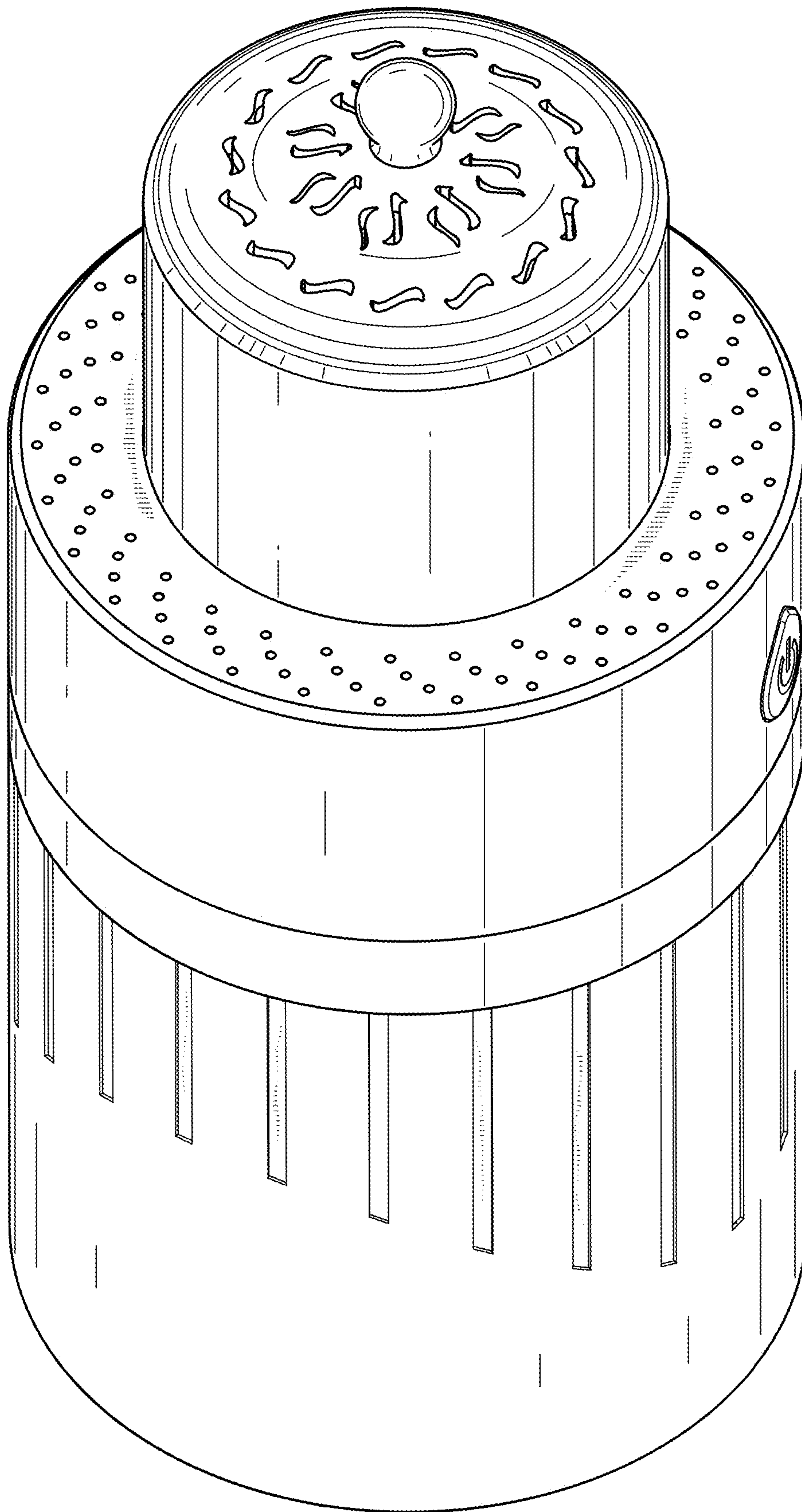


FIG. 7

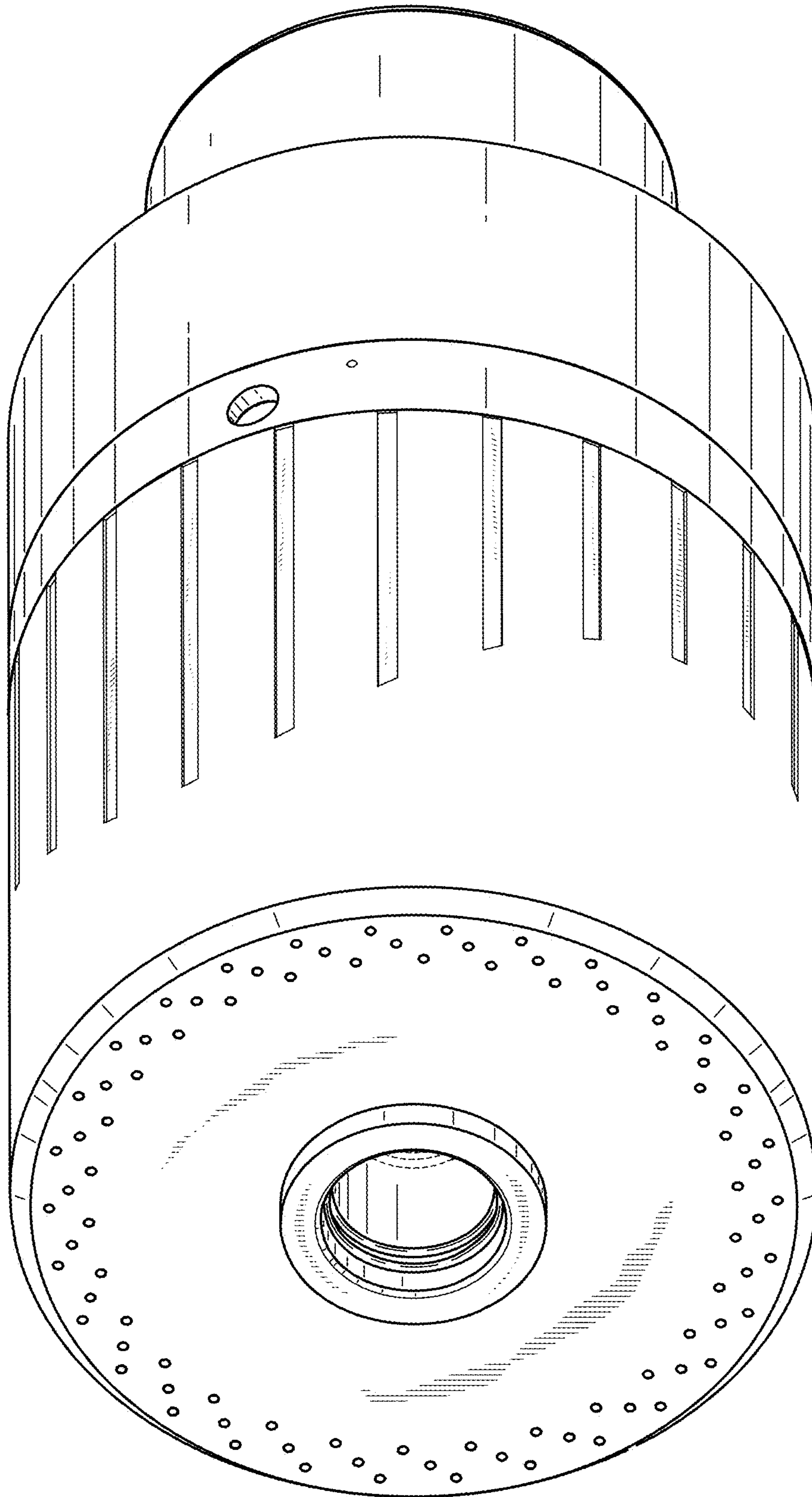


FIG. 8