



US00D943176S

(12) **United States Design Patent**
Chen et al.

(10) **Patent No.:** **US D943,176 S**
(45) **Date of Patent:** **** Feb. 8, 2022**

- (54) **ELECTRONIC CIGARETTE**
- (71) Applicant: **SMISS TECHNOLOGY CO., LTD.,**
Guangdong (CN)
- (72) Inventors: **Jiatai Chen**, Guangdong (CN); **Ningbo Qiu**, Guangdong (CN); **Kai Wu**, Guangdong (CN)
- (73) Assignee: **SMISS TECHNOLOGY CO., LTD.,**
Shenzhen (CN)

(**) Term: **15 Years**

(21) Appl. No.: **29/741,073**

(22) Filed: **Jul. 9, 2020**

(30) **Foreign Application Priority Data**

Jun. 12, 2020 (CN) 202030293893.X

(51) **LOC (13) Cl.** **27-02**

(52) **U.S. Cl.**
USPC **D27/162**

(58) **Field of Classification Search**
USPC D27/162, 100, 103, 163–165, 167, 169,
D27/172, 183, 185–194; D23/360, 366;
D24/110, 110.5; D13/103–107
CPC A24F 47/008; A24F 47/006; A24F 47/002;
A61M 15/00; A61M 15/06
See application file for complete search history.

(56) **References Cited**

U.S. PATENT DOCUMENTS

- D695,450 S * 12/2013 Benassayag D27/163
- D720,095 S * 12/2014 Alima D27/163
- D720,499 S * 12/2014 Alima D27/167
- D720,881 S * 1/2015 Liu D27/101
- D724,264 S * 3/2015 Chambers D27/101
- D785,859 S * 5/2017 Pang D27/101
- D798,499 S * 9/2017 Elhalwani D27/167

- D805,248 S * 12/2017 Chen D27/170
- D806,942 S * 1/2018 Qiu D27/101
- D817,544 S * 5/2018 Chen D27/167
- D877,975 S * 3/2020 Crowe D27/162
- D882,165 S * 4/2020 Ouyang D27/162
- D893,798 S * 8/2020 Liu D27/162
- D907,287 S * 1/2021 Wang D27/162
- D916,360 S * 4/2021 Liu D27/162

(Continued)

OTHER PUBLICATIONS

Smoke Vape Pen By: Smoktech <https://www.vaporauthority.com/products/smok-vape-pen-v2-60w-starter-kit> Jan. 11, 2021.*

Primary Examiner — Marissa J Cash

Assistant Examiner — Rebecca Tsehaye

(74) *Attorney, Agent, or Firm* — Ladas & Parry LLP

(57) **CLAIM**

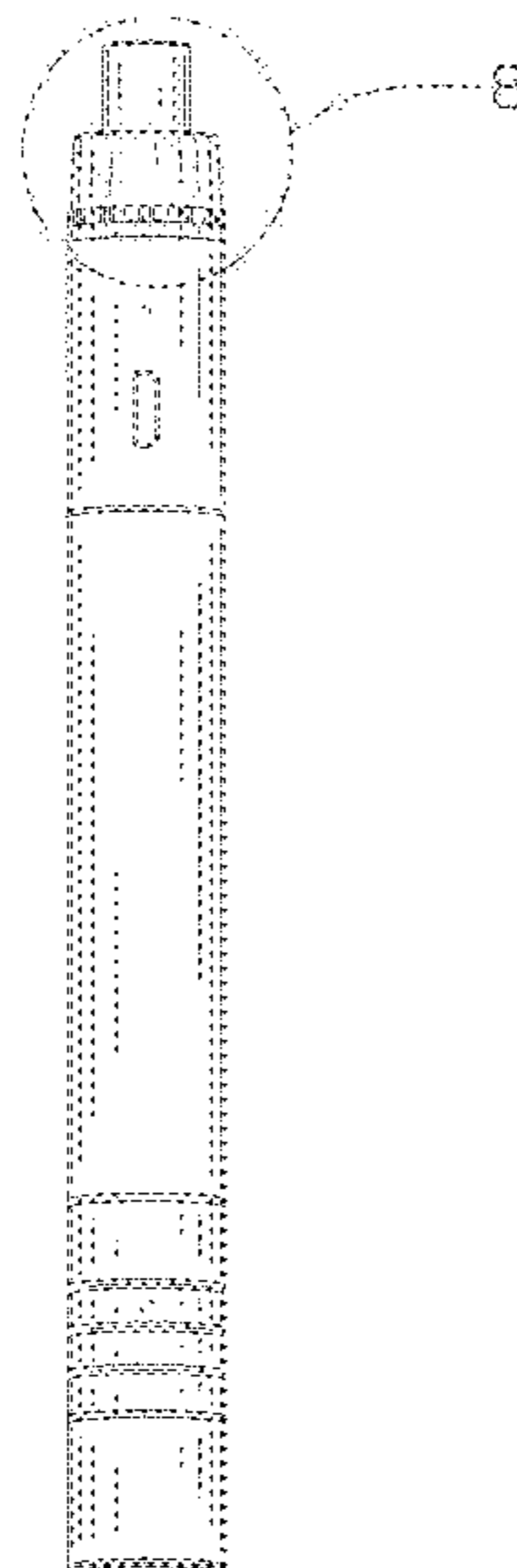
The ornamental design for an electronic cigarette, as shown and described.

DESCRIPTION

FIG. 1 is a perspective view of an electronic cigarette showing our new design;
FIG. 2 is a front elevation view thereof;
FIG. 3 is a rear elevation view thereof;
FIG. 4 is a left side view thereof;
FIG. 5 is a right side view thereof;
FIG. 6 is a top view thereof;
FIG. 7 is a bottom view thereof;
FIG. 8 is an enlarged view of portion 8 of FIG. 1; and,
FIG. 9 is an enlarged view of FIG. 6.

The broken lines consisting of evenly spaced dash lines in the drawing depict portions of the electronic cigarette that form no part of the claimed design; The broken lines consisting of short and long dash lines encircling the enlarged detail views are for annotative purposes that form no part of the claimed design.

1 Claim, 9 Drawing Sheets



(56)

References Cited

U.S. PATENT DOCUMENTS

D920,571 S * 5/2021 Jones D27/162
D927,773 S * 8/2021 Jones D27/162

* cited by examiner

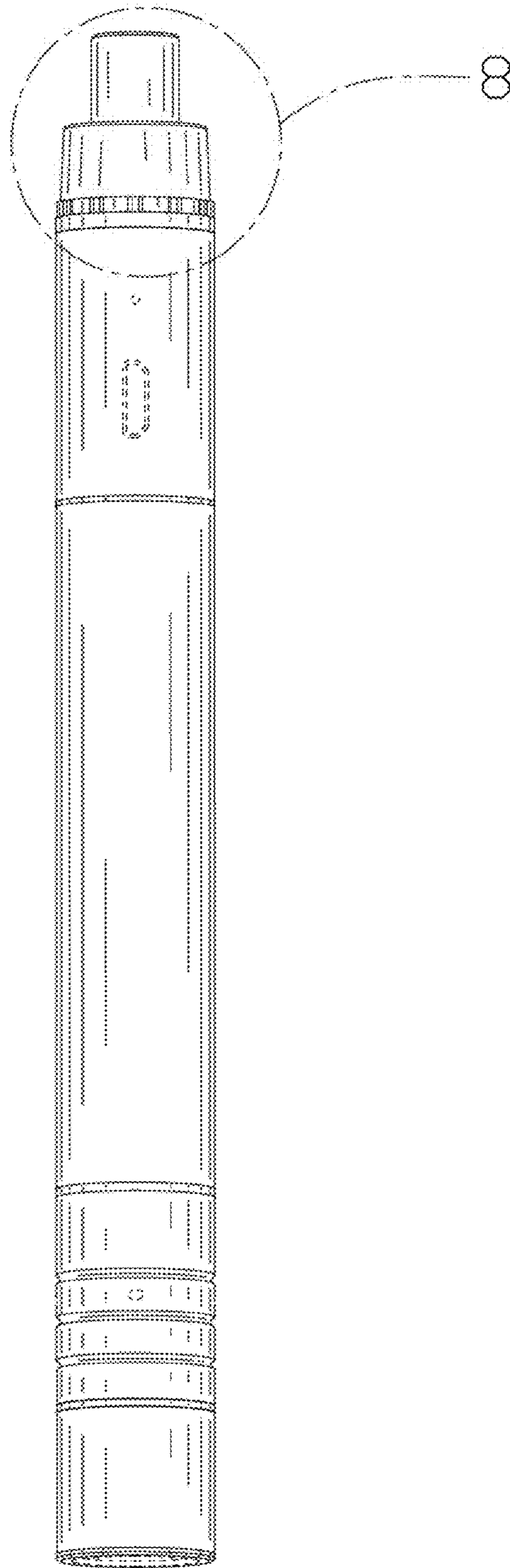


FIG. 1

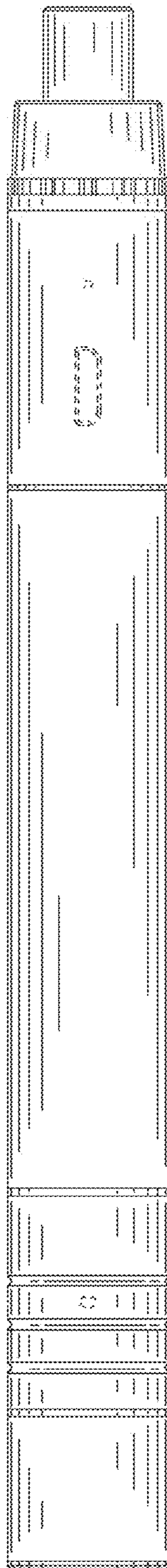


FIG. 2

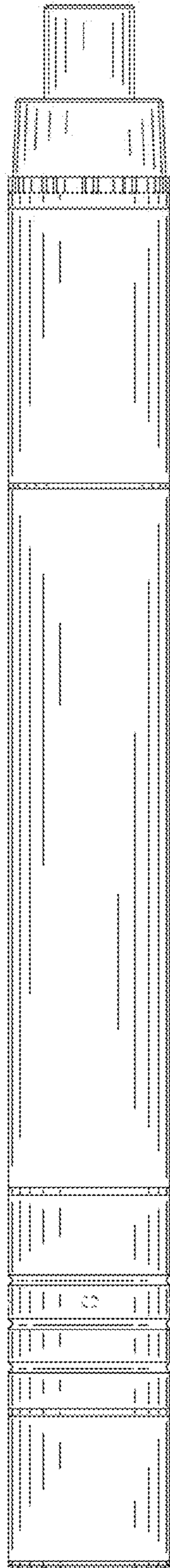


FIG. 3

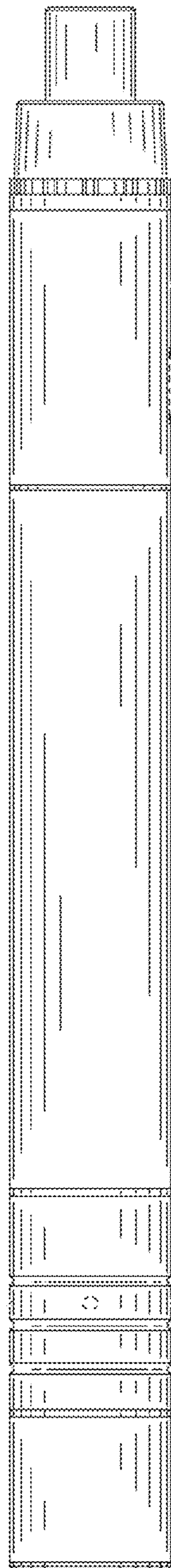


FIG. 4

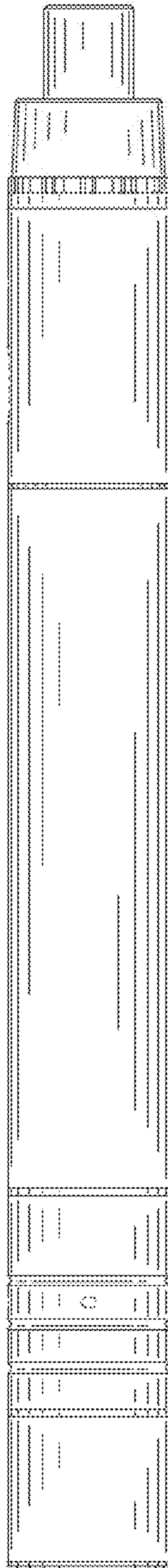


FIG. 5

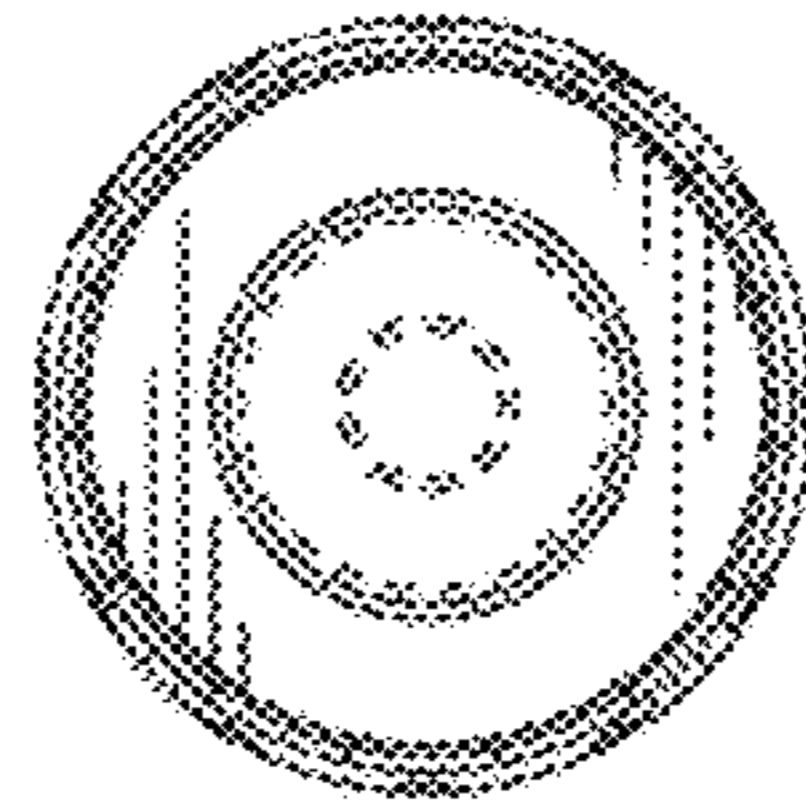


FIG. 6

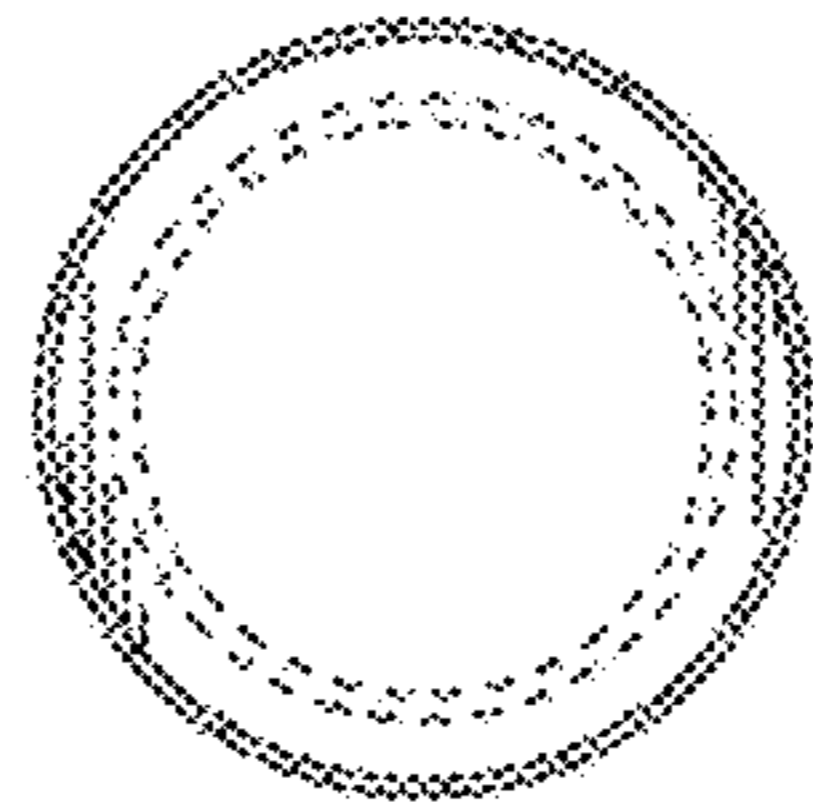


FIG. 7

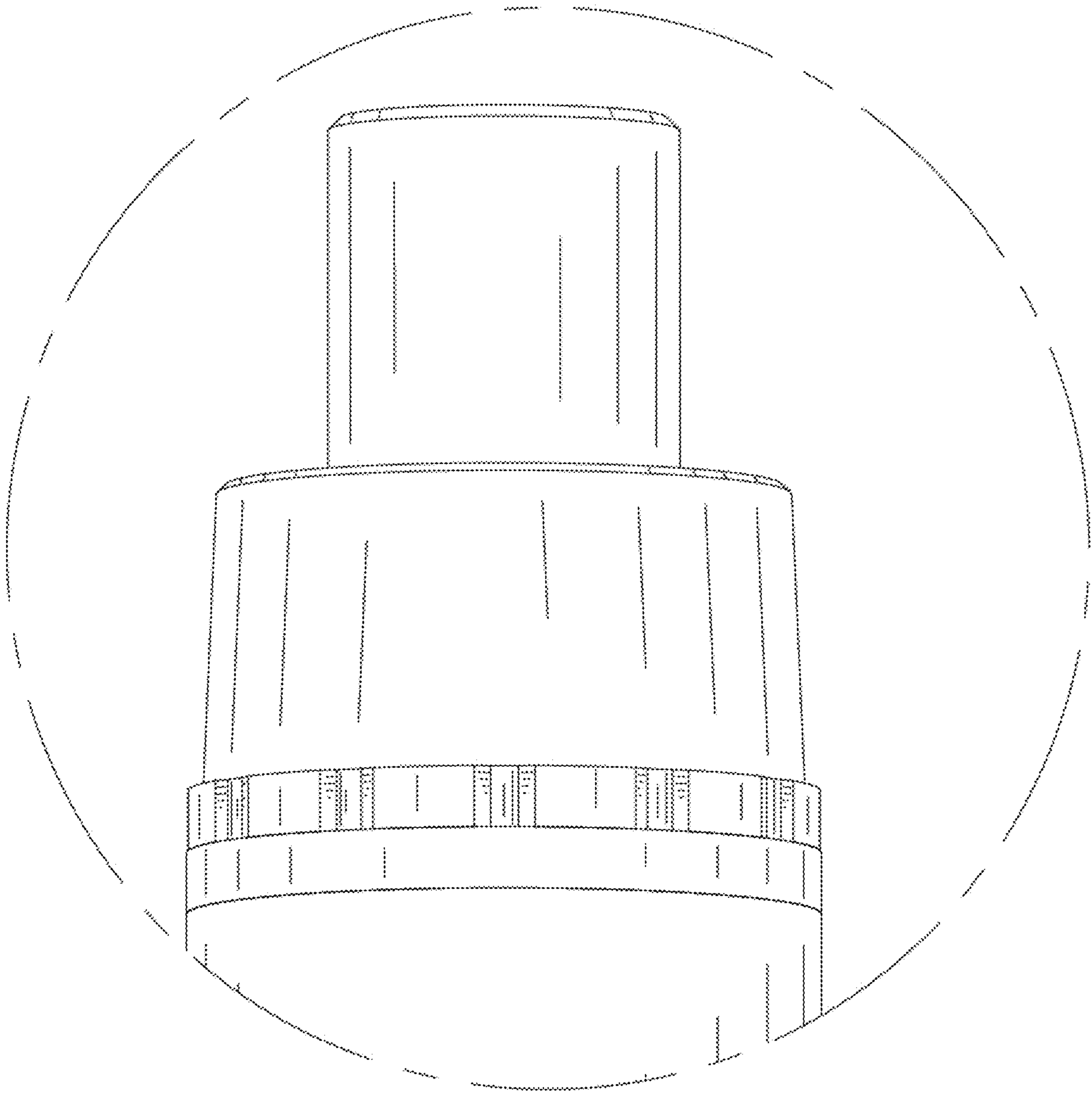


FIG. 8

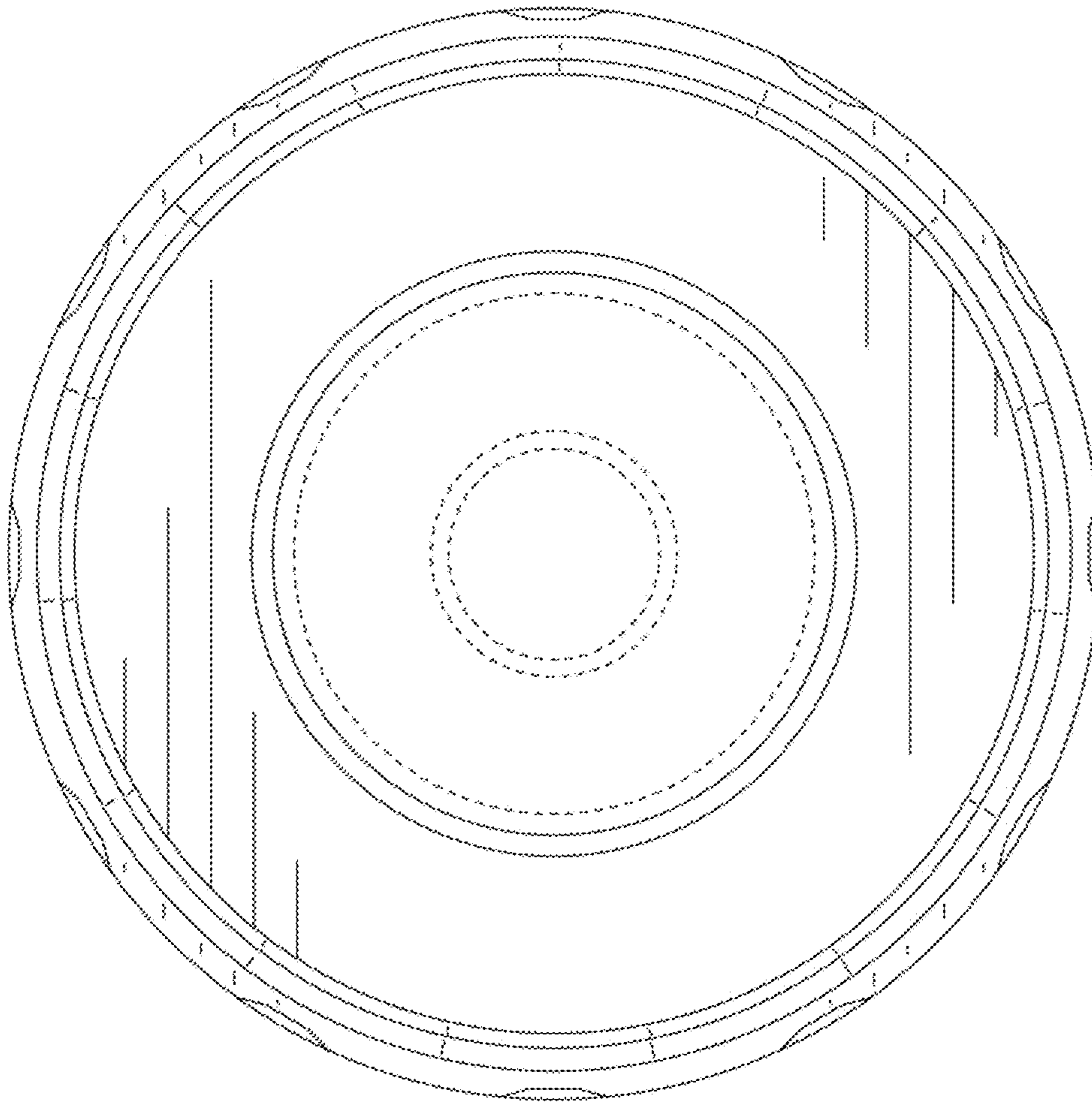


FIG. 9