



US00D943174S

(12) **United States Design Patent** (10) **Patent No.:** **US D943,174 S**  
**Liu** (45) **Date of Patent:** **\*\* Feb. 8, 2022**

(54) **HEATER FOR ELECTRONIC CIGARETTE**

(71) Applicant: **Shenzhen Eigate Technology Co., Ltd.**, Shenzhen (CN)

(72) Inventor: **Tuanfang Liu**, Shenzhen (CN)

(73) Assignee: **SHENZHEN EIGATE TECHNOLOGY CO., LTD.**, Shenzhen (CN)

(\*\*) Term: **15 Years**

(21) Appl. No.: **29/740,434**

(22) Filed: **Jul. 3, 2020**

(30) **Foreign Application Priority Data**

Jan. 4, 2020 (CN) ..... 202030004228.4

(51) **LOC (13) Cl.** ..... **27-02**

(52) **U.S. Cl.**  
USPC ..... **D27/162**

(58) **Field of Classification Search**  
USPC ..... D27/162, 100, 101, 163–165, 167, 169, D27/172, 183, 185–192, 194; D24/110, D24/110.5, 110.6; D13/107–109, 137.2; D14/435.1

CPC .... A24F 47/002; A24F 47/004; A24F 47/006; A24F 47/008; A61M 15/00; A61M 15/06  
See application file for complete search history.

(56) **References Cited**

**U.S. PATENT DOCUMENTS**

D653,206 S \* 1/2012 Heine ..... D13/108  
D744,159 S \* 11/2015 Lukas ..... D27/183

D750,321 S \* 2/2016 Chen ..... D27/194  
D817,543 S \* 5/2018 Liu ..... D27/167  
D819,570 S \* 6/2018 Zhong ..... D13/137.1  
D823,244 S \* 7/2018 Yaprak ..... D13/108  
D858,439 S \* 9/2019 Li ..... D13/108  
D861,977 S \* 10/2019 Masri ..... D27/167  
D862,794 S \* 10/2019 Wolk ..... D27/187  
D886,367 S \* 6/2020 Harthoorn ..... D27/194  
D908,630 S \* 1/2021 Huang ..... D13/137.2  
D911,942 S \* 3/2021 Park ..... D13/108  
D914,281 S \* 3/2021 Vora ..... D27/194  
D926,128 S \* 7/2021 Perkins ..... D13/108

\* cited by examiner

*Primary Examiner* — Rebecca Tsehaye

(74) *Attorney, Agent, or Firm* — Matthias Scholl P.C.; Matthias Scholl

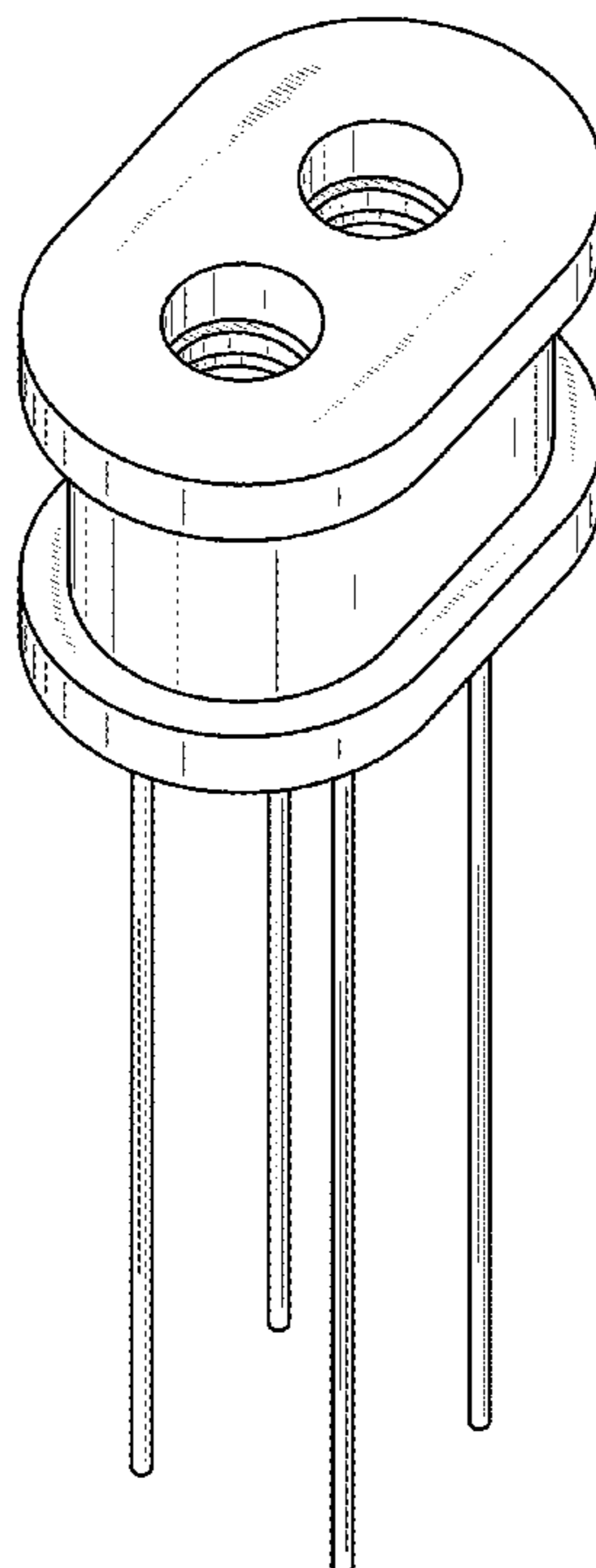
(57) **CLAIM**

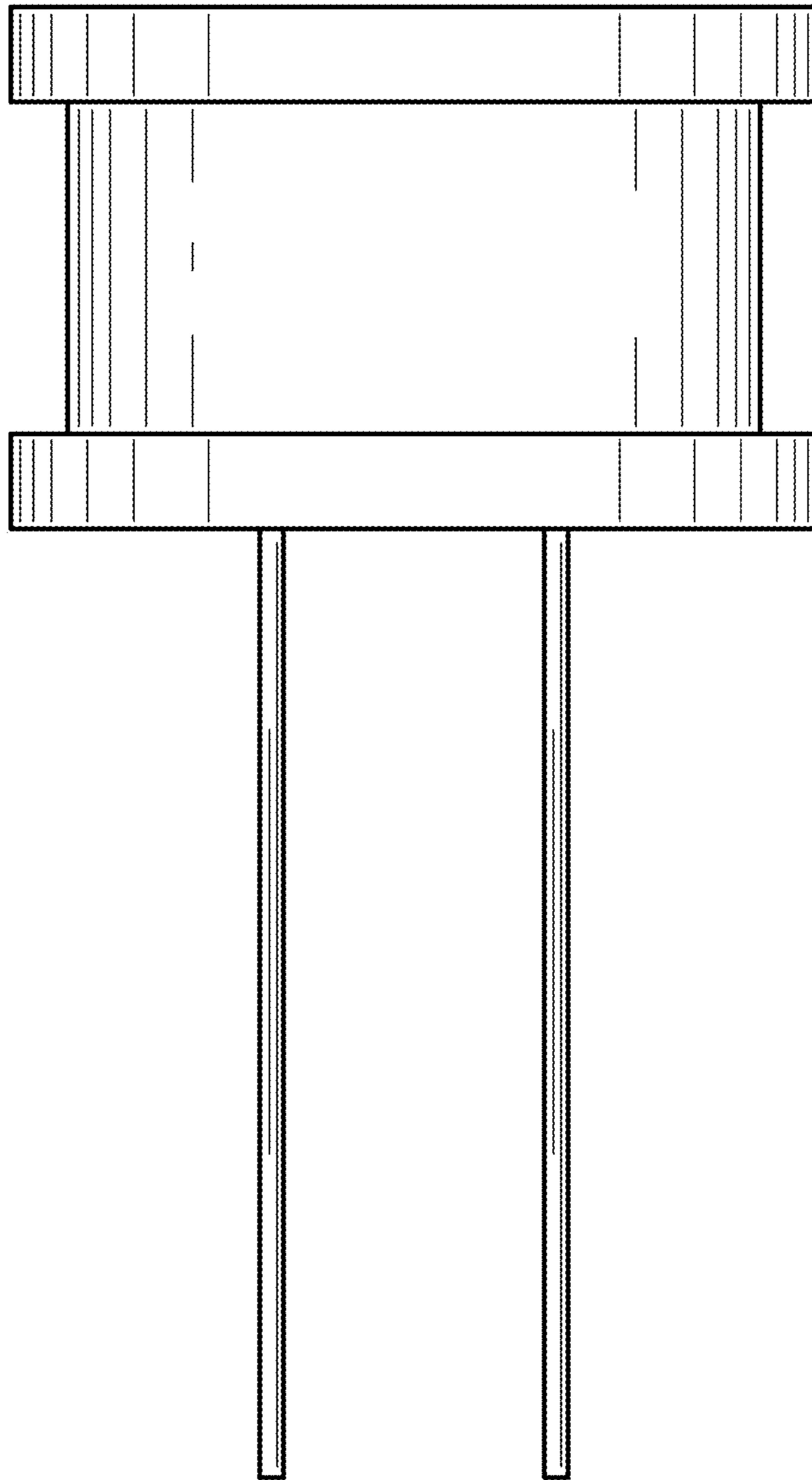
The ornamental design for a heater for an electronic cigarette, as shown and described.

**DESCRIPTION**

FIG. 1 is a front elevation view of a heater for an electronic cigarette;  
FIG. 2 is a rear elevation view thereof;  
FIG. 3 is a left-side elevation view thereof;  
FIG. 4 is a right-side elevation view thereof;  
FIG. 5 is a top plan view thereof;  
FIG. 6 is a bottom plan view thereof;  
FIG. 7 is a perspective view thereof; and,  
FIG. 8 is another perspective view thereof.

**1 Claim, 8 Drawing Sheets**





**FIG. 1**

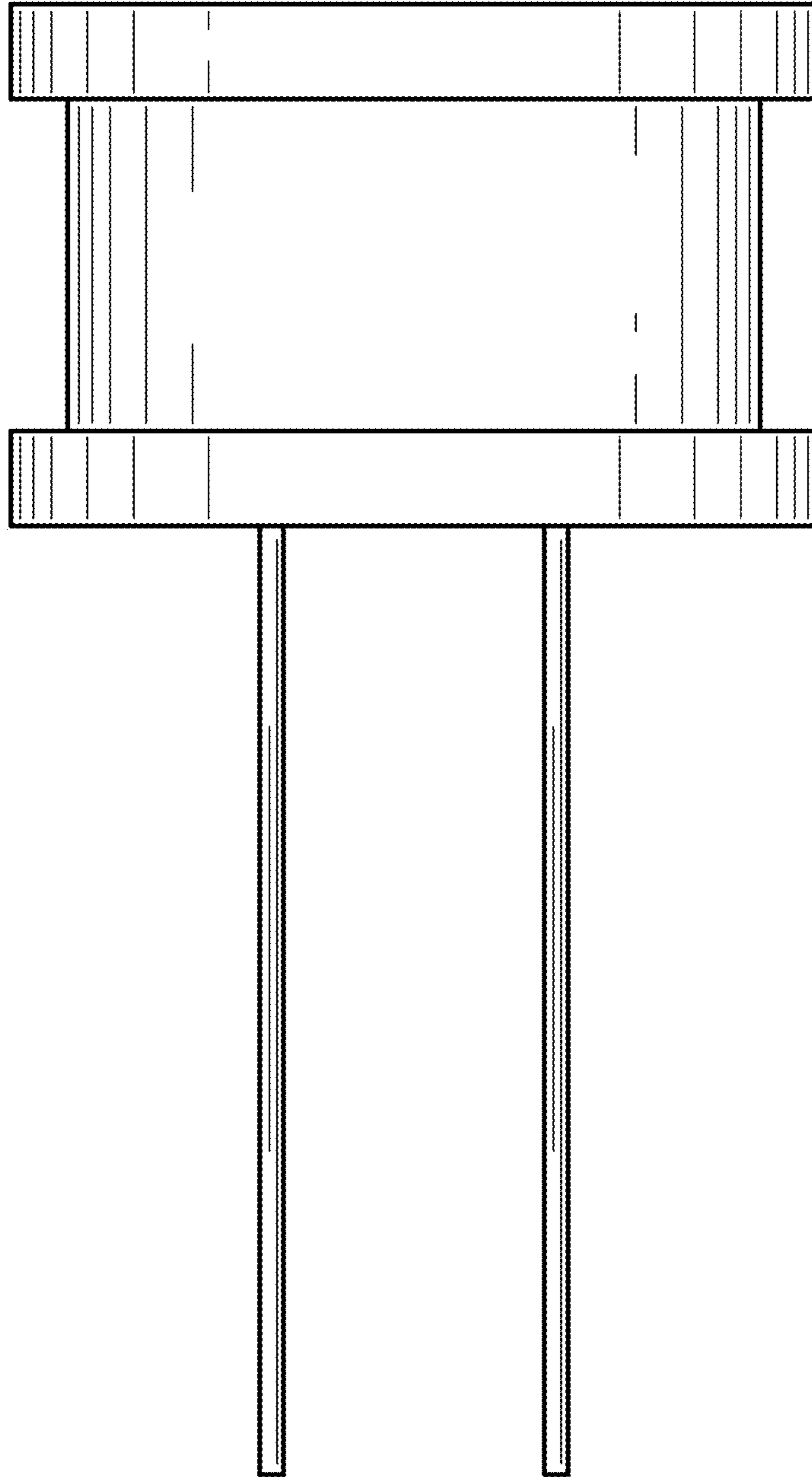
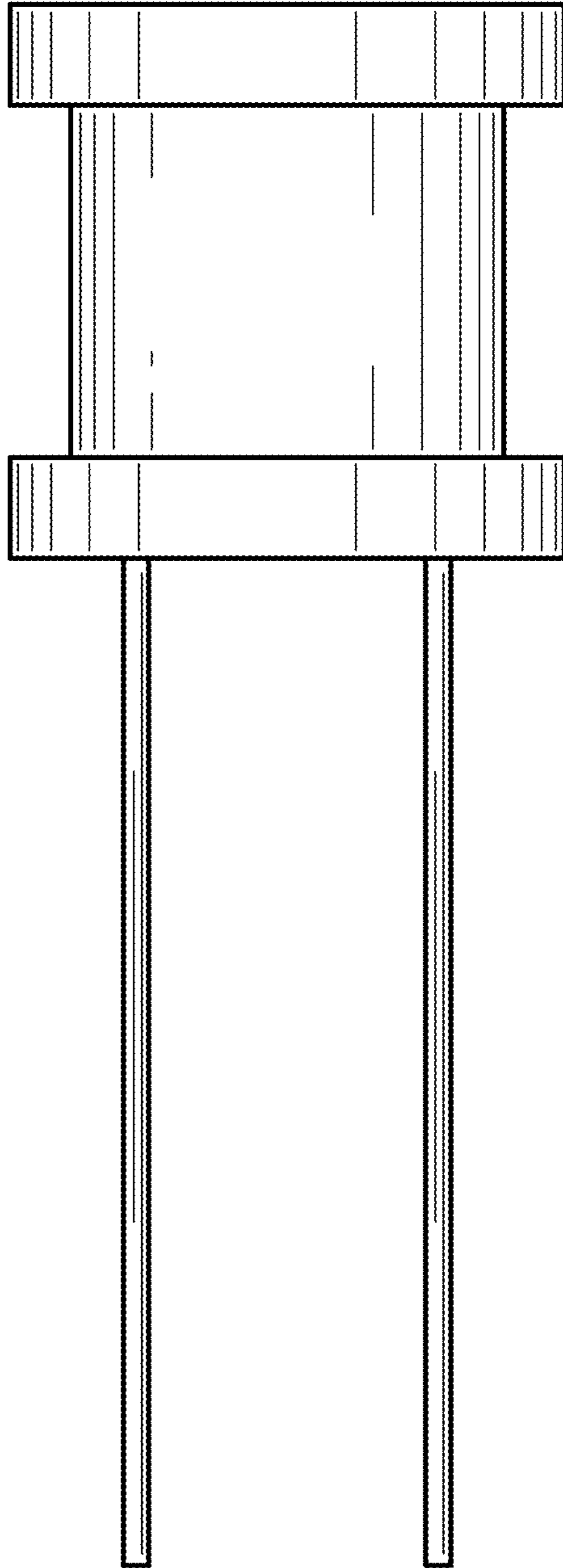


FIG. 2



**FIG. 3**

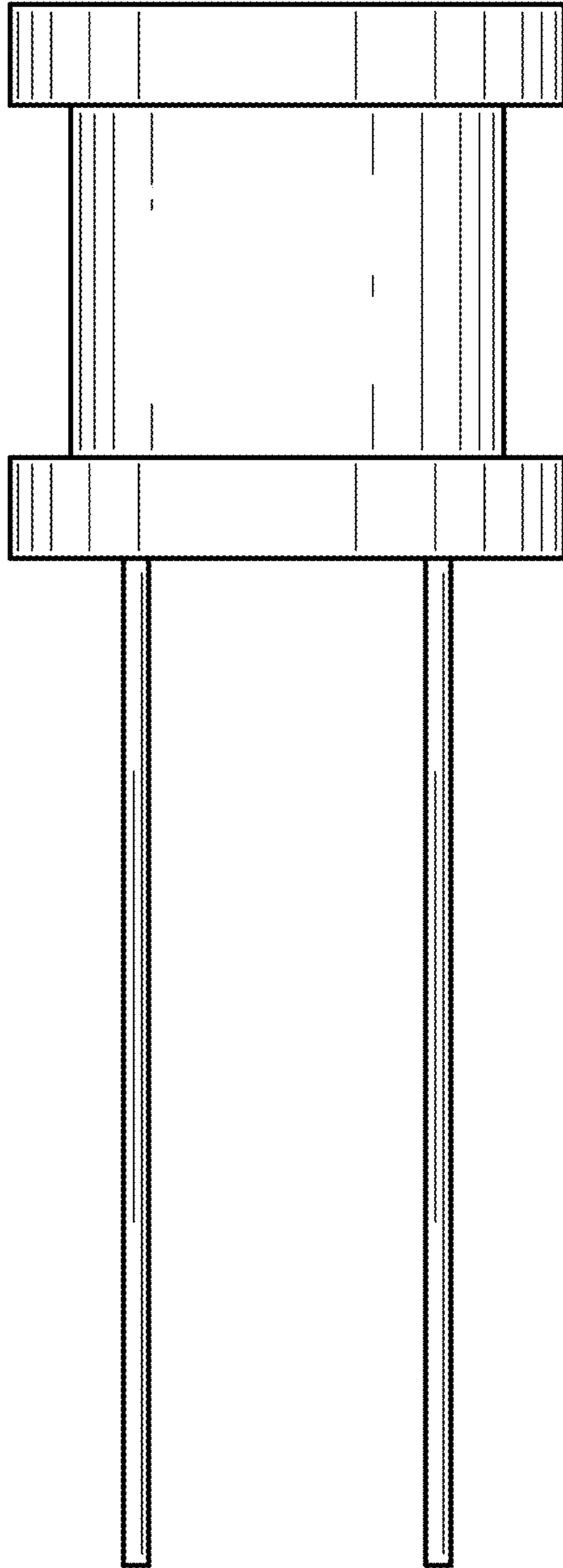
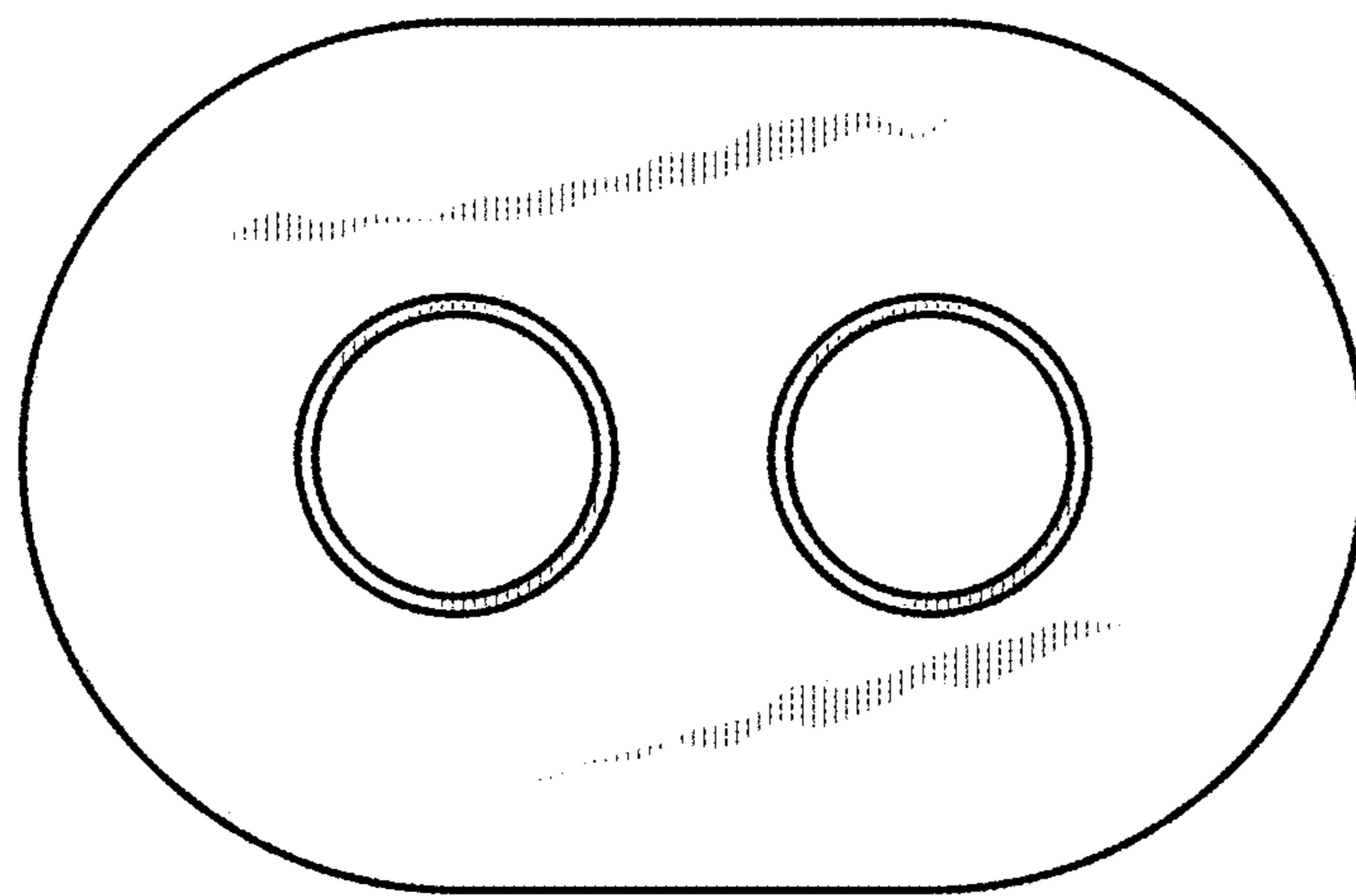
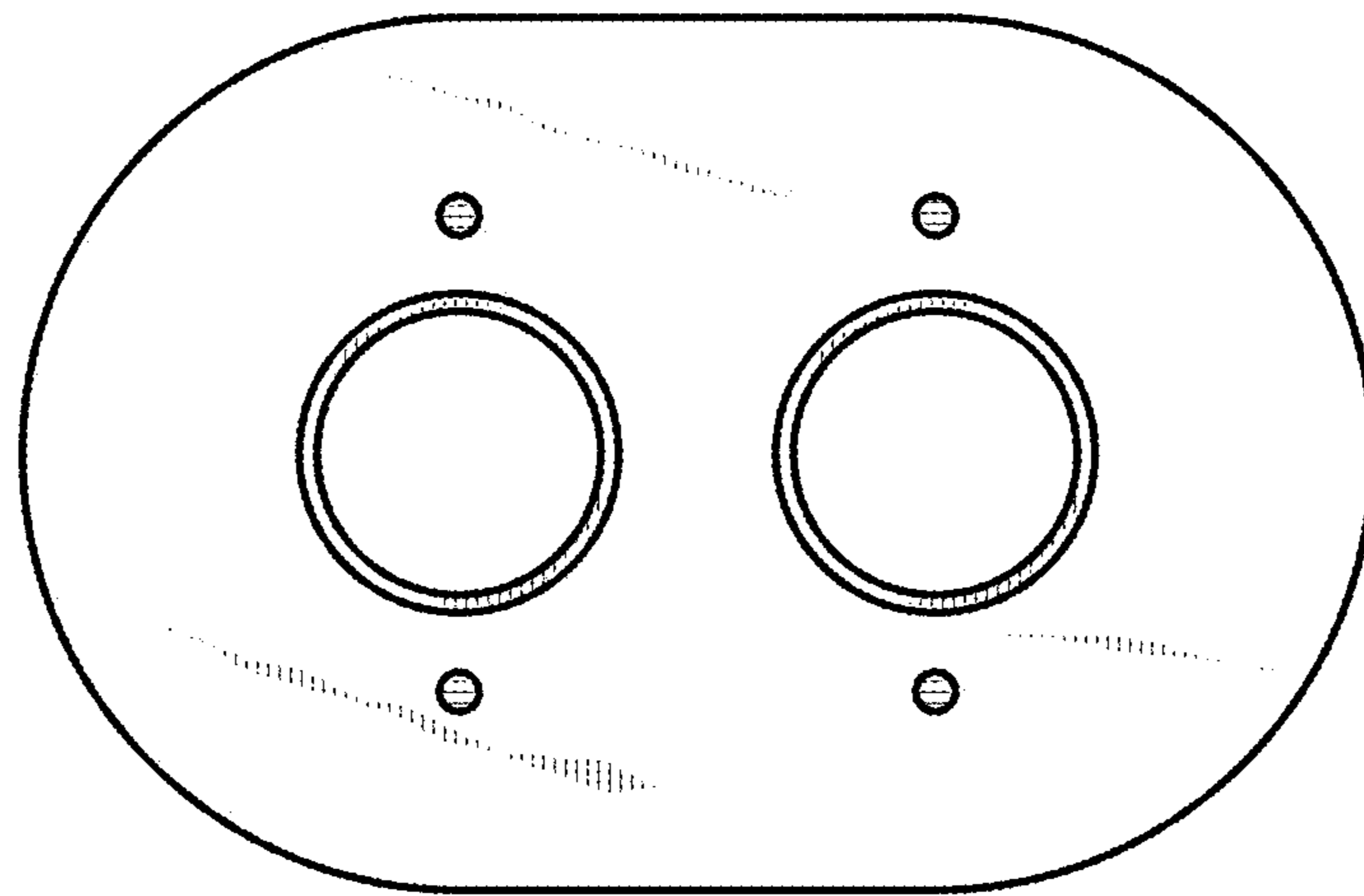


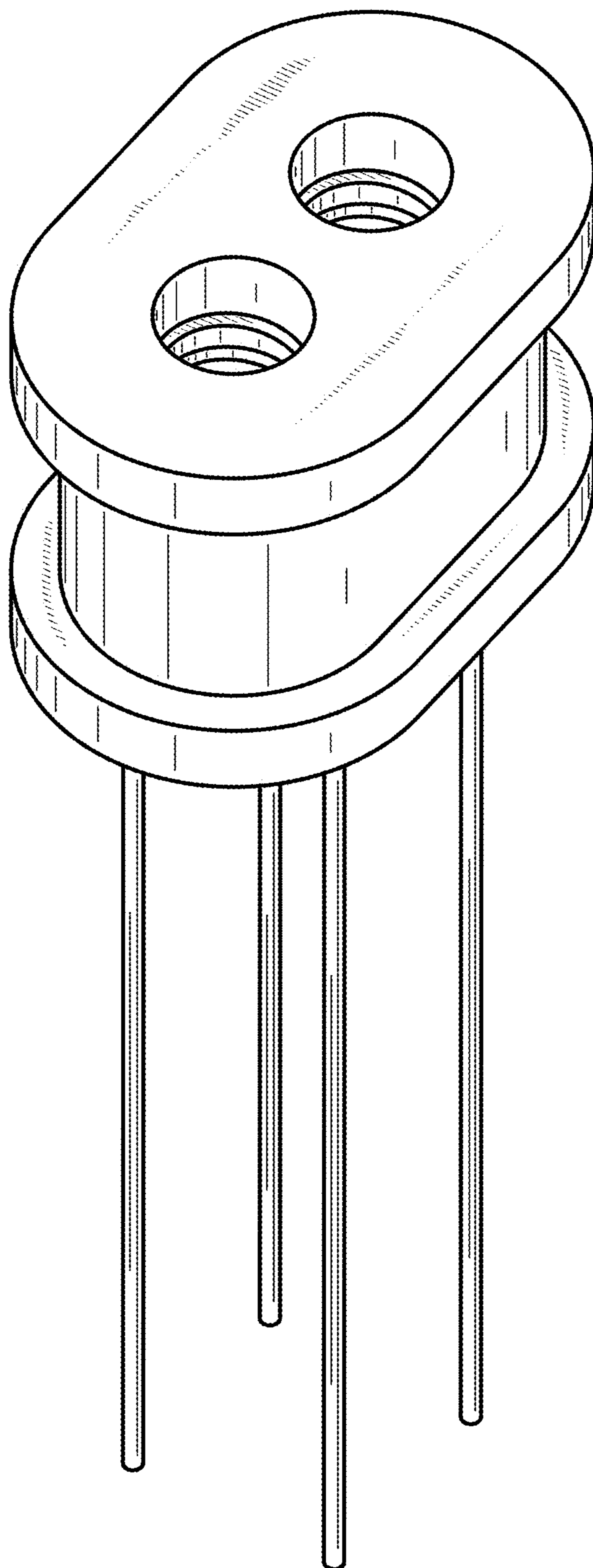
FIG. 4



**FIG. 5**



**FIG. 6**



**FIG. 7**



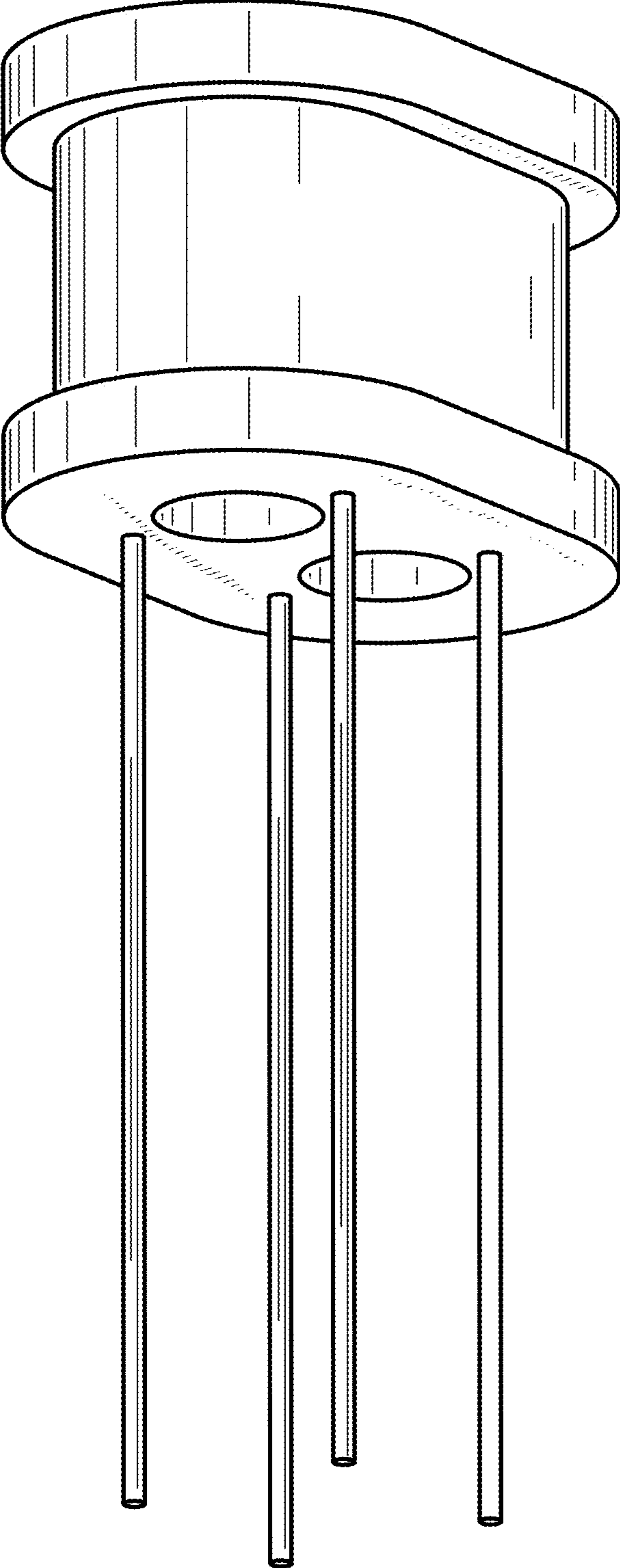


FIG. 8