



US00D943173S

(12) **United States Design Patent** (10) **Patent No.:** **US D943,173 S**  
**Liu** (45) **Date of Patent:** **\*\* Feb. 8, 2022**

(54) **ELECTRONIC CIGARETTE**

(71) Applicant: **Tuanfang Liu**, Shenzhen (CN)

(72) Inventor: **Tuanfang Liu**, Shenzhen (CN)

(\*\*) Term: **15 Years**

(21) Appl. No.: **29/733,476**

(22) Filed: **May 3, 2020**

(30) **Foreign Application Priority Data**

Nov. 4, 2019 (CN) ..... 201930603328.6

(51) **LOC (13) Cl.** ..... **27-02**

(52) **U.S. Cl.**  
USPC ..... **D27/162**

(58) **Field of Classification Search**  
USPC ..... D27/100, 101, 162, 163, 164, 165, 166,  
D27/167, 168, 169, 170, 171, 172, 173,  
D27/174, 175, 176, 177, 178, 179, 180,  
D27/181, 182, 183, 184, 185, 186, 187,  
D27/188, 189, 190, 191, 192, 193, 194,  
D27/196; D28/91.1; D23/360, 362;  
D24/110, 110.4, 110.5, 110.6, 113

CPC ..... A24F 40/10; A24F 40/40; A24F 40/46;  
A24F 47/008; A24F 40/60; A24F 40/70;  
A24F 40/51; A24F 40/20; A24F 40/05;  
A24F 40/90; A24F 40/30; A24F 40/95;  
A24F 40/00; A24F 7/00; A24F 13/00;  
A24F 13/14; A24F 1/32; A24F 40/49;  
A24F 42/60; A24F 42/80; A24F 47/002;  
A24F 7/02; A24F 9/16; A24F 40/42;  
A24F 40/57; A24F 15/015; A24F 40/465;  
A24F 1/02; A24F 2700/03; A24F 15/01;  
A24F 1/28; A24F 40/85; A24F 42/00;  
A24F 42/10; A24F 42/20; A24F 47/004;  
A24F 47/006; A24F 7/04; A24F 40/485;  
A24F 40/44; A24F 40/48; A24F 40/50;  
A24F 1/00; A24F 47/00; A24F 40/53;  
A24F 40/65

See application file for complete search history.

(56) **References Cited**

U.S. PATENT DOCUMENTS

D779,719 S *	2/2017	Qiu	.....	D27/101
D799,110 S *	10/2017	Qiu	.....	D27/101
D829,980 S *	10/2018	Qiu	.....	D27/162
D859,735 S *	9/2019	Qiu	.....	D27/162
D875,302 S *	2/2020	Pan	.....	D27/162
D875,306 S *	2/2020	Pan	.....	D27/167
D895,199 S *	9/2020	Li	.....	D27/162
D899,679 S *	10/2020	Liu	.....	D27/162

(Continued)

OTHER PUBLICATIONS

XROS by Vaporesso. By Matt From SMM. Dated Jul. 30, 2020. Found online [May 4, 2021]. <https://www.youtube.com/watch?v=Mr-HWFKYk0E> (Year: 2020).\*

(Continued)

*Primary Examiner* — Marissa J Cash  
*Assistant Examiner* — William B Melliar  
(74) *Attorney, Agent, or Firm* — Matthias Scholl P.C.;  
Matthias Scholl

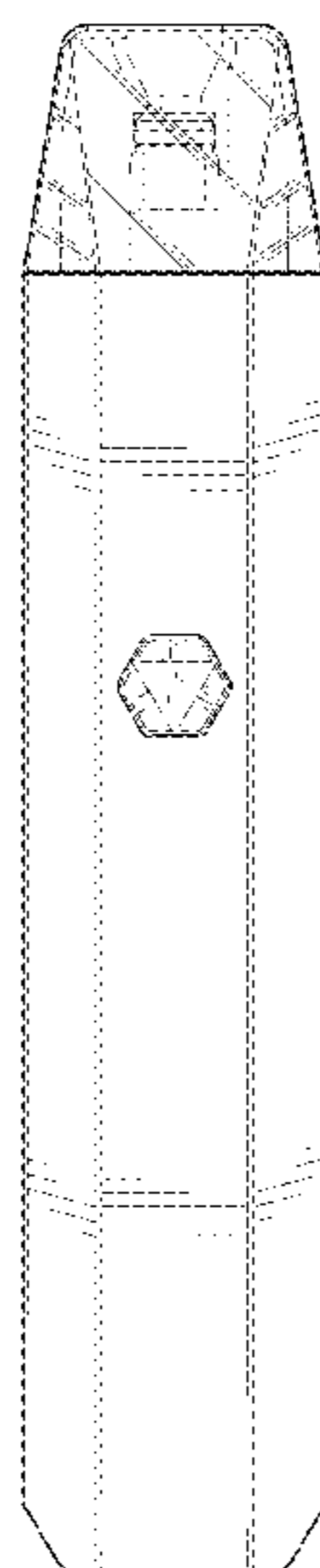
(57) **CLAIM**

The ornamental design for an electronic cigarette, as shown and described.

**DESCRIPTION**

FIG. 1 is a front elevation view of an electronic cigarette; FIG. 2 is a rear elevation view thereof; FIG. 3 is a left-side elevation view thereof; FIG. 4 is a right-side elevation view thereof; FIG. 5 is a top plan view thereof; FIG. 6 is a bottom plan view thereof; FIG. 7 is a perspective view thereof; and, FIG. 8 is another perspective view thereof. The broken lines depict portions of the electronic cigarette that form no part of the claimed design.

**1 Claim, 8 Drawing Sheets**



(56)

**References Cited**

U.S. PATENT DOCUMENTS

D908,279	S	*	1/2021	Li	.....	D27/162
D909,667	S	*	2/2021	Chen	.....	D27/162
D910,906	S	*	2/2021	Zhou	.....	D27/162
D910,910	S	*	2/2021	Yang	.....	D27/162
D914,277	S	*	3/2021	Han	.....	D27/162
D926,359	S	*	7/2021	Liu	.....	D27/162
D926,362	S	*	7/2021	Liu	.....	D27/162

OTHER PUBLICATIONS

Caliburn Pod System. By Matt From SMM. Dated Mar. 7, 2019.  
Found online [May 4, 2021]. <https://www.youtube.com/watch?v=ooSZF9231fs> (Year: 2019).\*

\* cited by examiner

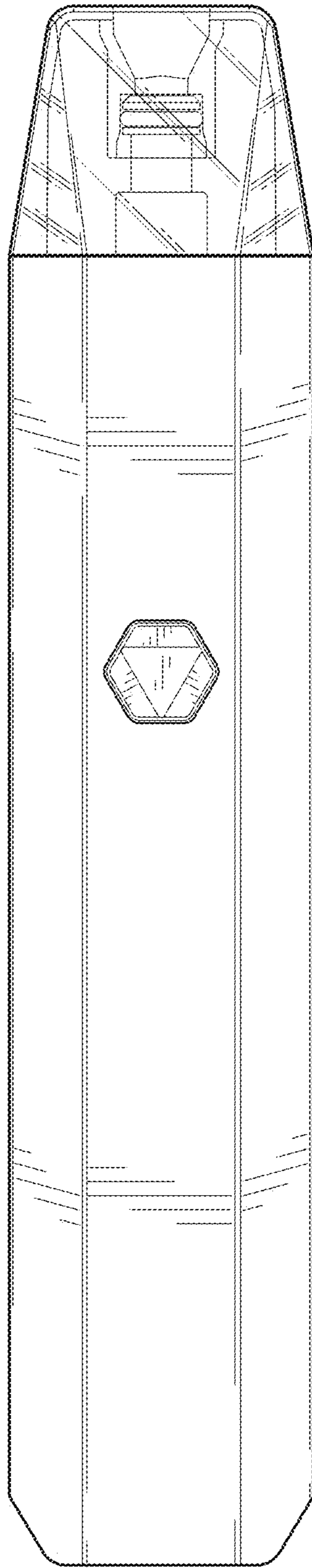


FIG. 1

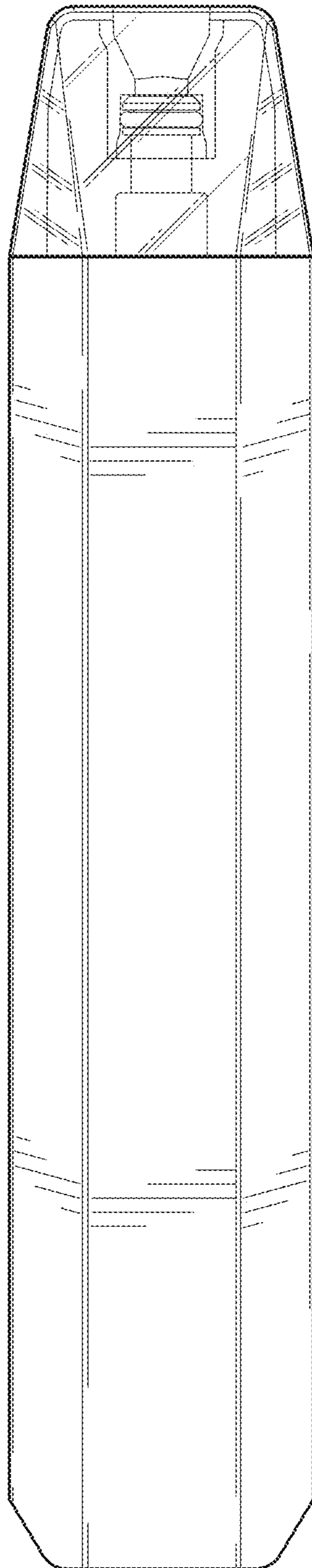


FIG. 2

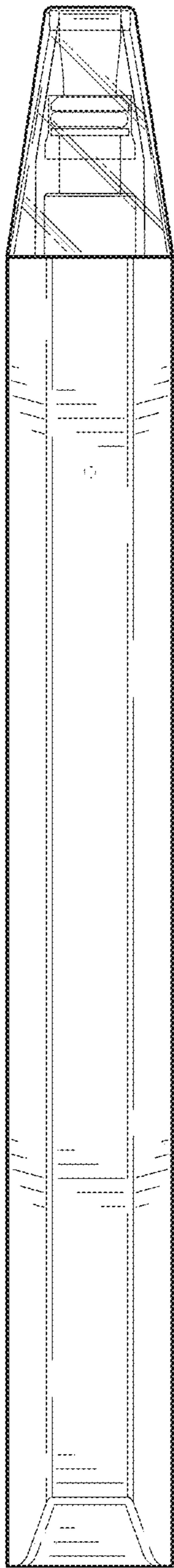


FIG. 3

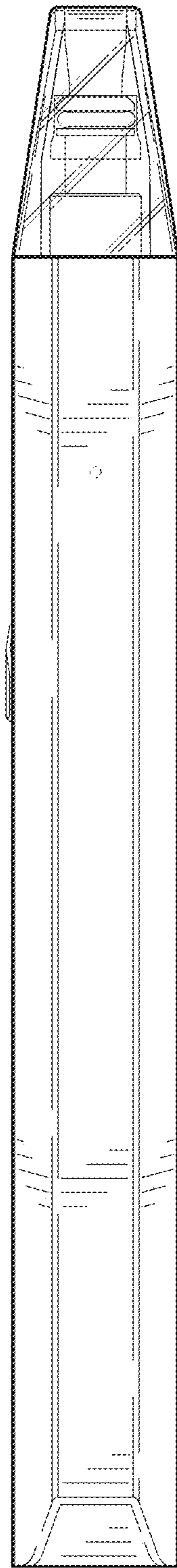


FIG. 4

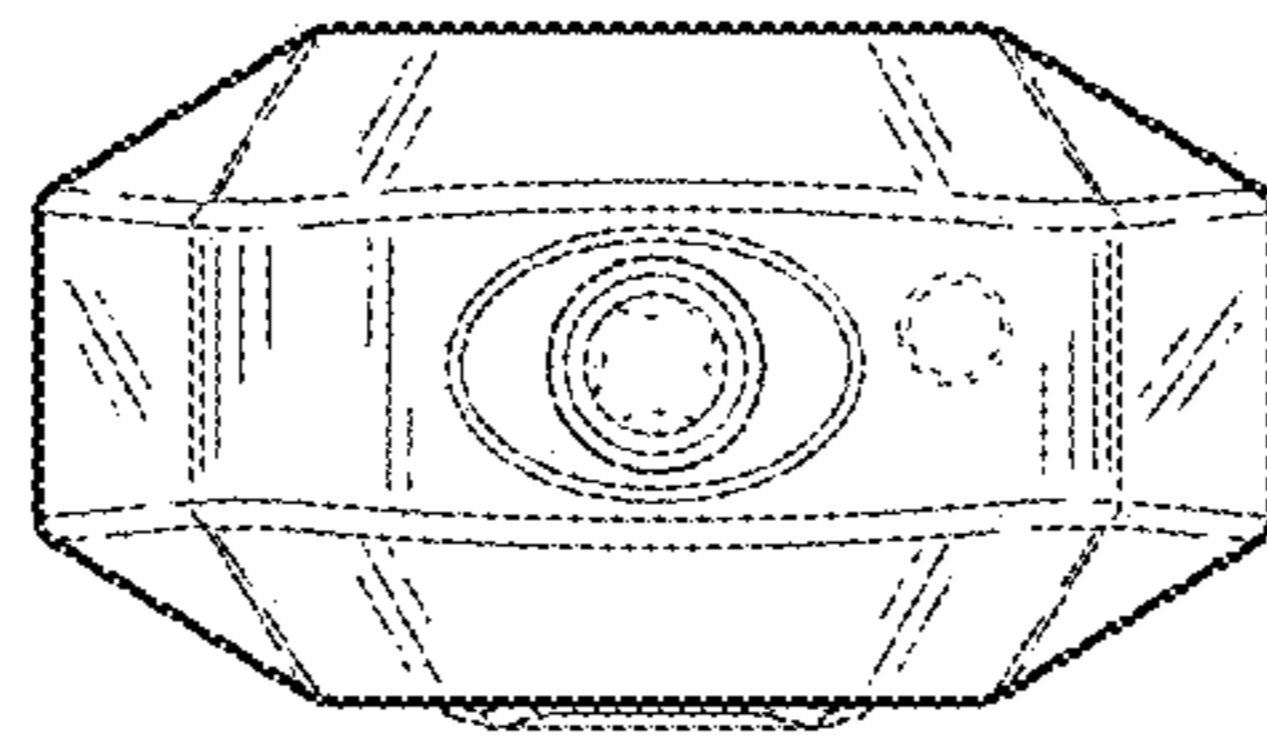


FIG. 5

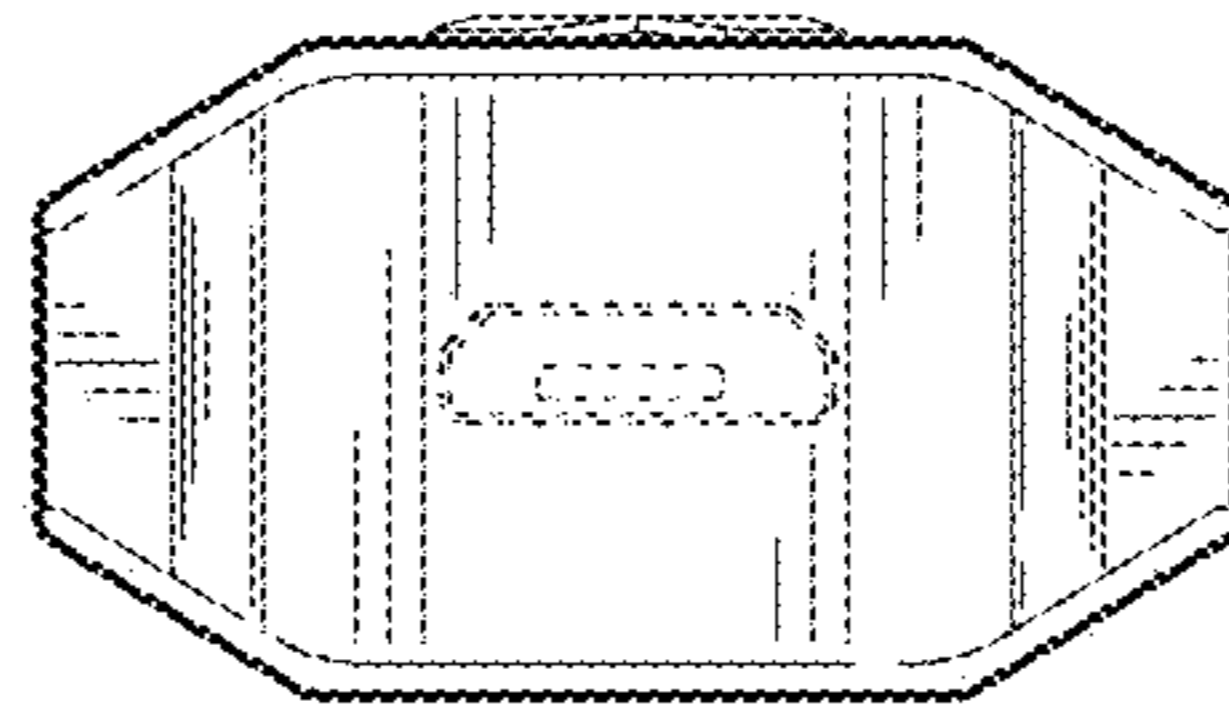


FIG. 6



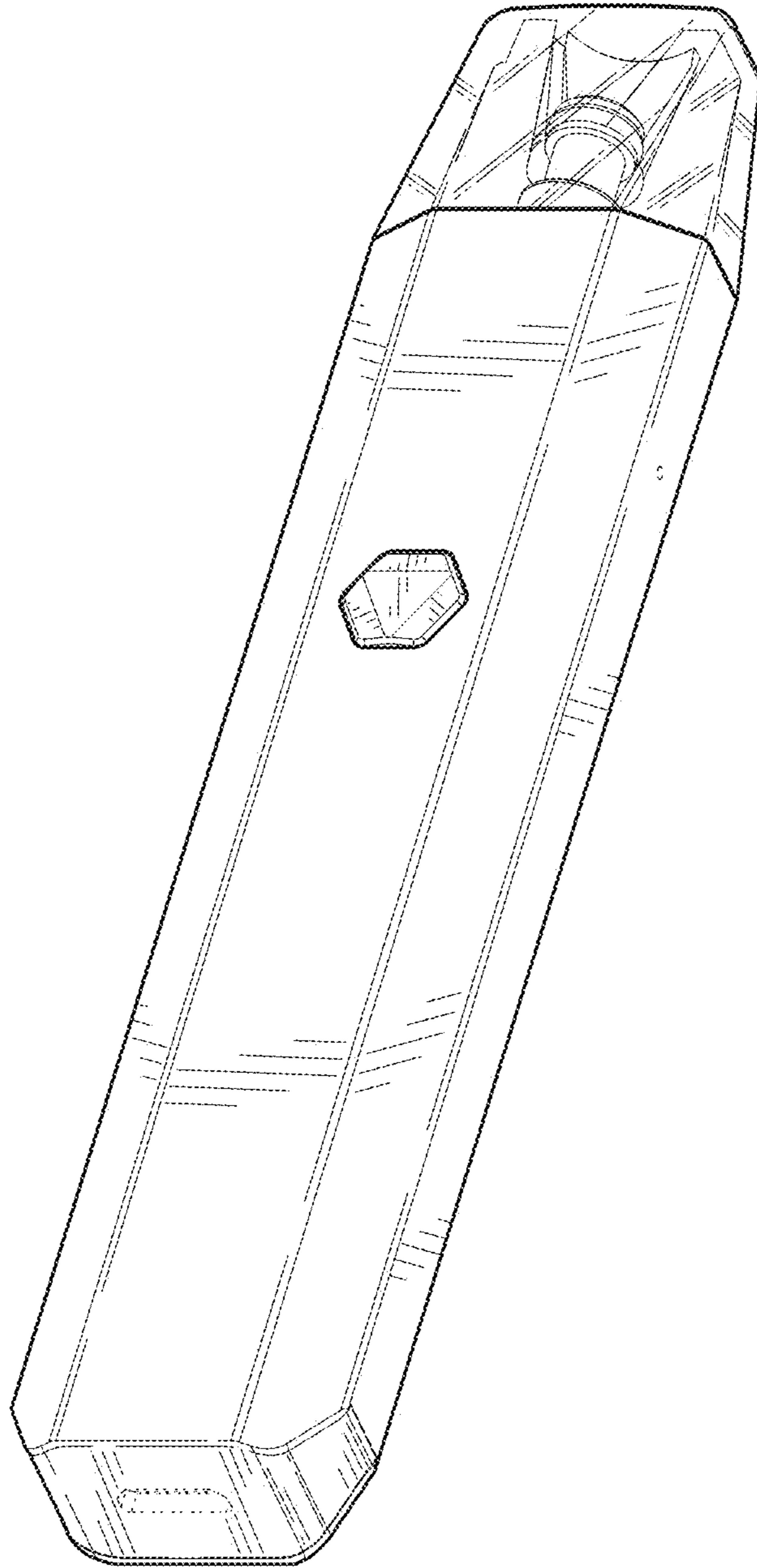


FIG. 7

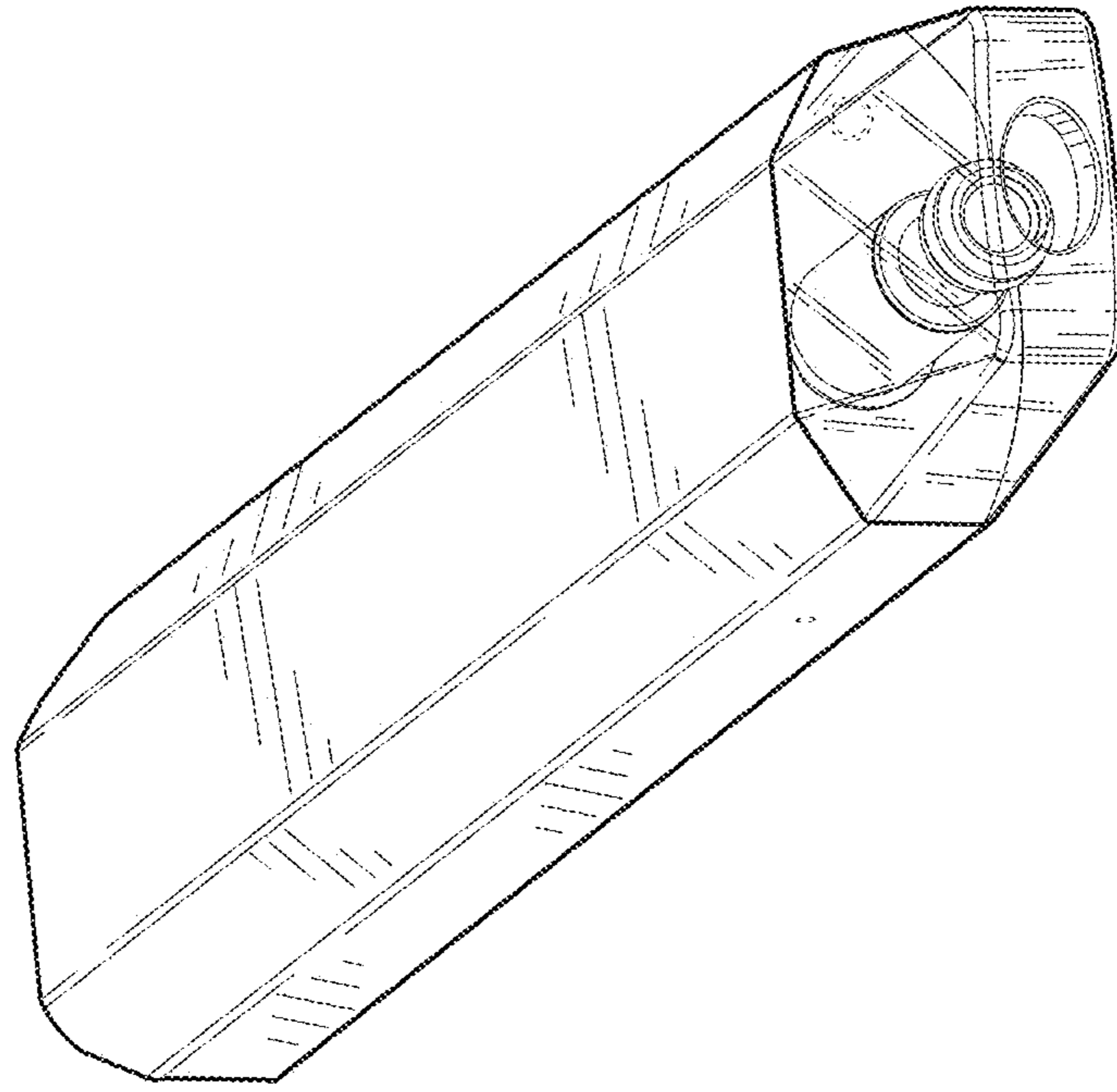


FIG. 8