



US00D943170S

(12) **United States Design Patent** (10) **Patent No.:** **US D943,170 S**  
**Houkal** (45) **Date of Patent:** **\*\* Feb. 8, 2022**

(54) **SMOKING APPARATUS STEM**

(71) Applicant: **Jeffrey Houkal**, Rimforest, CA (US)

(72) Inventor: **Jeffrey Houkal**, Rimforest, CA (US)

(\*\*) Term: **15 Years**

(21) Appl. No.: **29/730,948**

(22) Filed: **Apr. 9, 2020**

(51) **LOC (13) Cl.** ..... **27-02**

(52) **U.S. Cl.**  
USPC ..... **D27/162**

(58) **Field of Classification Search**  
USPC ..... D27/162, 100, 101, 163–165, 172,  
D27/174–176, 183, 185–194; D24/110,  
D24/110.5; D23/366  
CPC .... A24F 47/002; A24F 47/006; A24F 47/008;  
A61M 15/00; A61M 15/06  
See application file for complete search history.

(56) **References Cited**

**U.S. PATENT DOCUMENTS**

D398,071 S *	9/1998	Perkins	.....	D27/187
D590,990 S *	4/2009	Hon	.....	D27/101
D623,351 S *	9/2010	Kirkeby	.....	D27/101
D724,782 S *	3/2015	Wu	.....	D27/101
D729,441 S *	5/2015	Hua	.....	D27/101
D758,650 S *	6/2016	Wu	.....	D27/101
D814,102 S *	3/2018	Lehoux	.....	D27/101
D814,694 S *	4/2018	Watson	.....	D27/194
D825,835 S *	8/2018	Verleur	.....	D27/101
D834,743 S *	11/2018	Tucker	.....	D27/101
D870,962 S *	12/2019	Choe	.....	D27/163
D871,662 S *	12/2019	Volodarsky	.....	D27/101
D884,268 S *	5/2020	Deng	.....	D27/162
D906,588 S *	12/2020	Wilson	.....	D27/189
D925,117 S *	7/2021	Nguyen	.....	D27/189

**OTHER PUBLICATIONS**

Silicone Downstem, By: Smoke Cartel found on line Mar. 13, 2021  
<https://www.smokecartel.com/collections/downstem/products/entropy-labs-silicone-downstem> Aug. 31, 2017.\*

\* cited by examiner

*Primary Examiner* — Rebecca Tsehaye

(74) *Attorney, Agent, or Firm* — The Rapacke Law Group P.A.

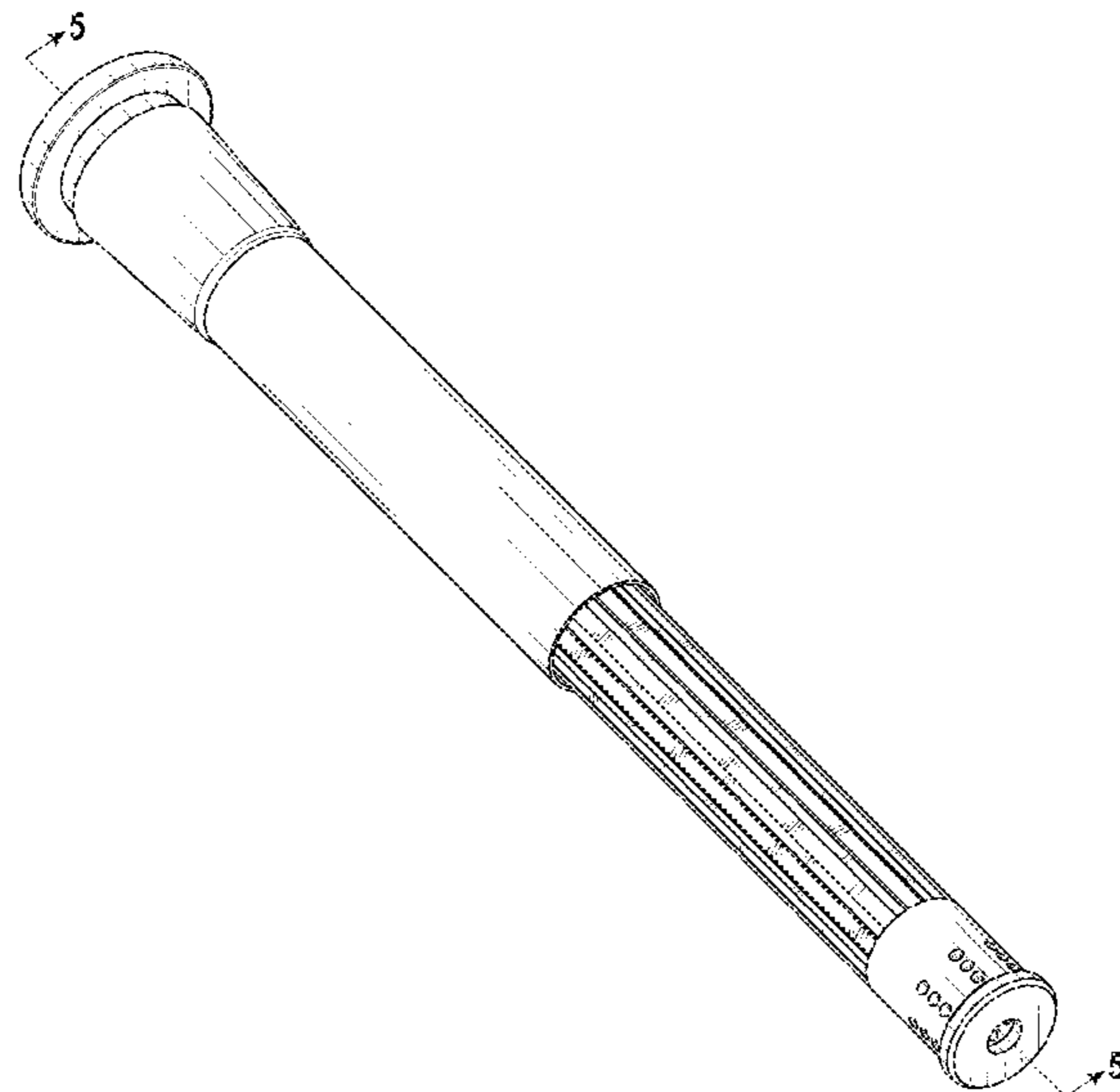
(57) **CLAIM**

The ornamental design for a smoking apparatus stem, as shown and described.

**DESCRIPTION**

FIG. 1 is a perspective view of the smoking apparatus stem, showing the new design;  
FIG. 2 is a left side elevational view of the smoking apparatus stem thereof;  
FIG. 3 is a top plan view of the smoking apparatus stem thereof;  
FIG. 4 is a bottom plan view of the smoking apparatus stem thereof; and,  
FIG. 5 is a cross sectional view of the smoking apparatus stem thereof taken from cut line of 5-5 of FIG. 1.  
The right side elevational view of the smoking apparatus stem is a mirror image of the left side elevational view of the smoking apparatus stem shown in FIG. 2.  
The front elevational view of the smoking apparatus stem is a mirror image of the left side elevational view of the smoking apparatus stem shown in FIG. 2.  
The rear elevational view of the smoking apparatus stem is a mirror image of the left side elevational view of the smoking apparatus stem shown in FIG. 2.  
The broken lines in the drawings depict portions of the smoking apparatus stem that form no part of the claimed design.

**1 Claim, 2 Drawing Sheets**



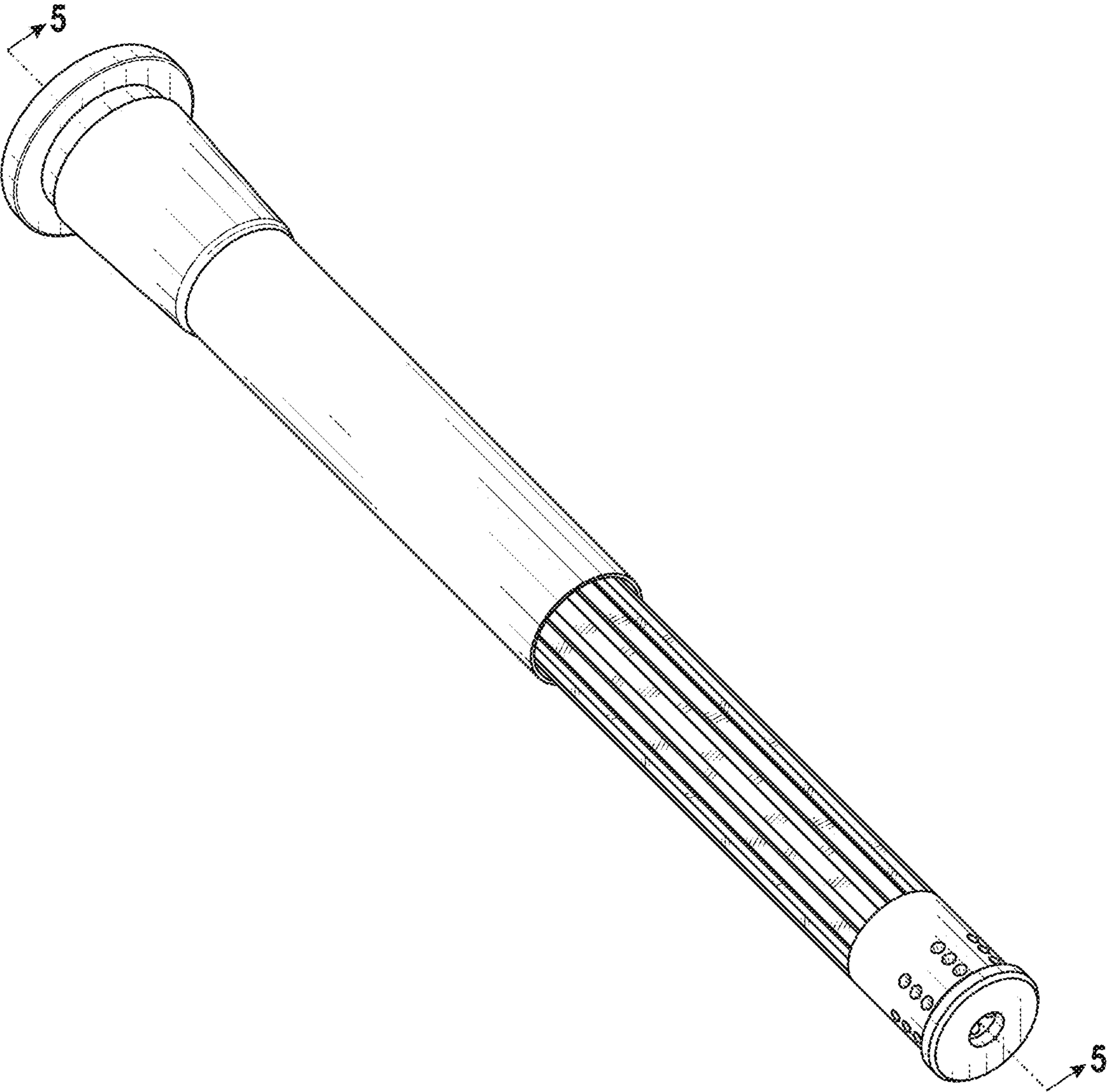
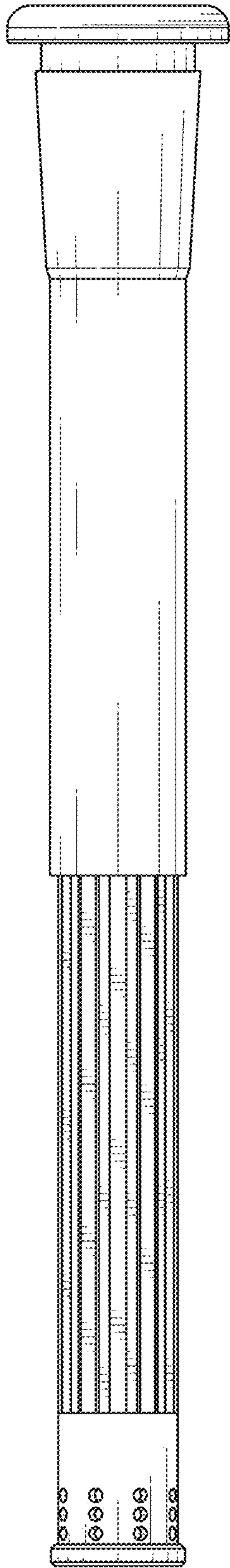
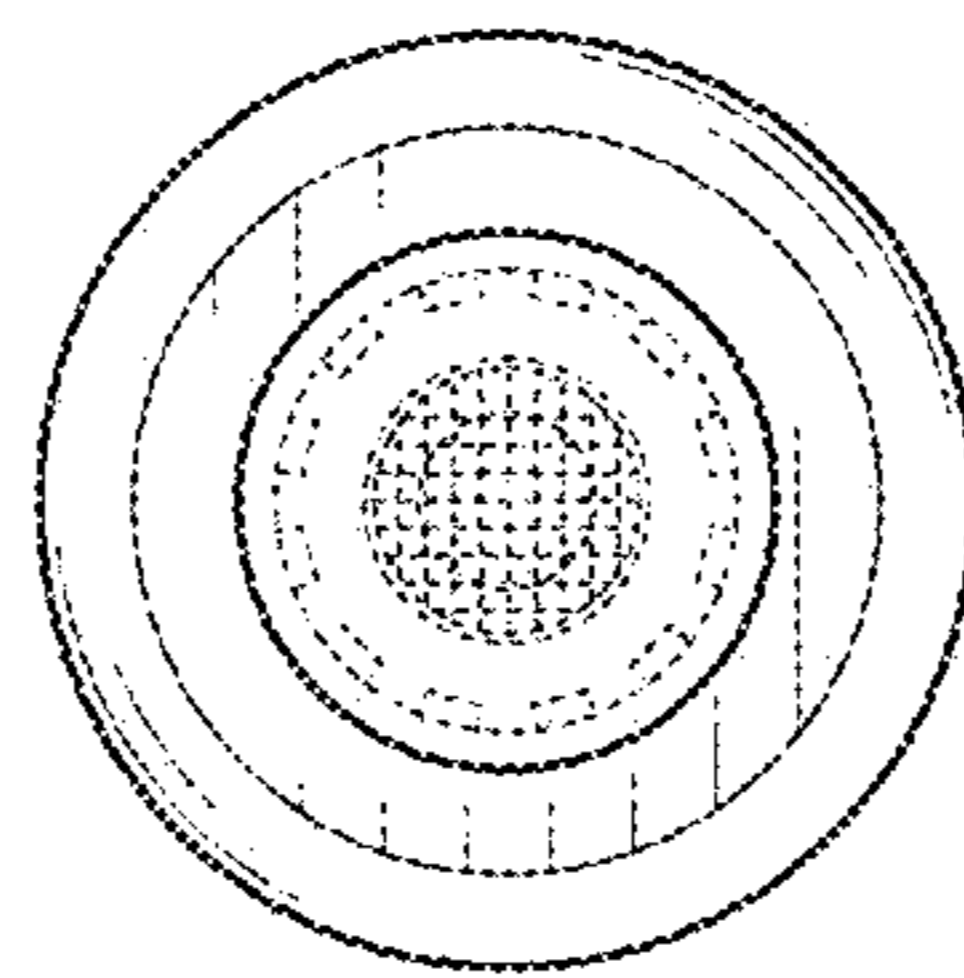


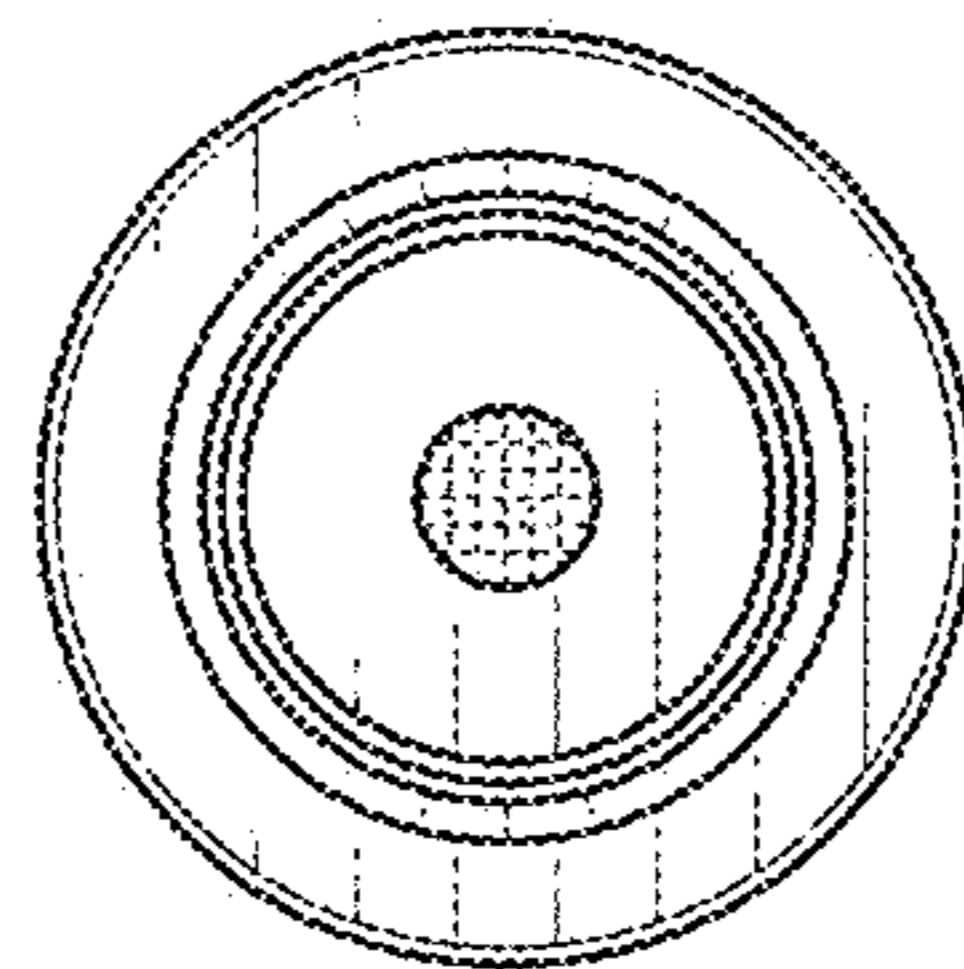
FIG. 1



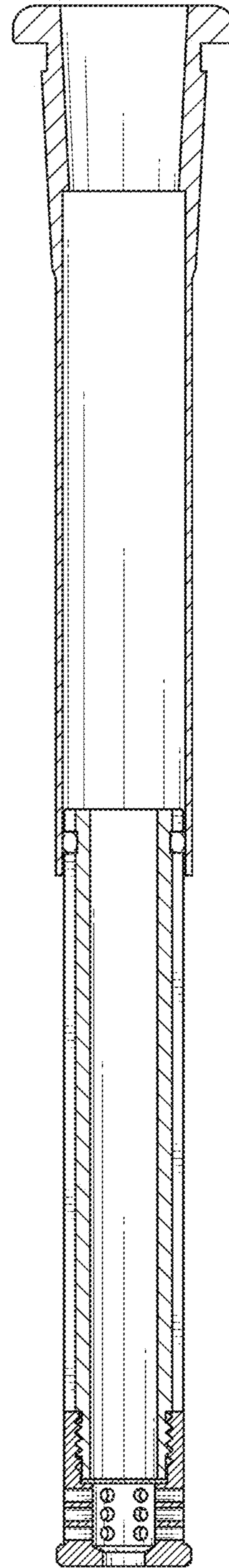
*FIG. 2*



*FIG. 3*



*FIG. 4*



*FIG. 5*