



US00D943169S

(12) **United States Design Patent**  
**Houkal**

(10) **Patent No.:** **US D943,169 S**

(45) **Date of Patent:** **\*\* Feb. 8, 2022**

(54) **SMOKING APPARATUS BOWL**

(71) Applicant: **Jeffrey Houkal**, Rimforest, CA (US)

(72) Inventor: **Jeffrey Houkal**, Rimforest, CA (US)

(\*\*) Term: **15 Years**

(21) Appl. No.: **29/730,640**

(22) Filed: **Apr. 7, 2020**

(51) **LOC (13) Cl.** ..... **27-02**

(52) **U.S. Cl.**  
USPC ..... **D27/162**

(58) **Field of Classification Search**

USPC ..... D27/162, 100, 101, 163-165, 172, 174,  
D27/183, 185-194

CPC .... A24F 47/002; A24F 47/006; A24F 47/008;  
A61M 15/00; A61M 15/06

See application file for complete search history.

(56) **References Cited**

**U.S. PATENT DOCUMENTS**

7,658,197	B1 *	2/2010	Villagomez	.....	A24F 3/02 131/245
D710,488	S *	8/2014	Alima	.....	D23/363
D722,720	S *	2/2015	Garbo	.....	D27/167
D722,722	S *	2/2015	Ross	.....	D27/167
D792,570	S *	7/2017	Williams	.....	D23/386
D799,747	S *	10/2017	Champion	.....	D27/169
D814,105	S *	3/2018	Eng	.....	D27/167
10,015,985	B1 *	7/2018	Blakely, III	.....	A24F 5/00
D825,101	S *	8/2018	Hoch	.....	D27/162
D846,187	S *	4/2019	Hoch	.....	D27/162
D861,977	S *	10/2019	Masri	.....	D27/167
D877,411	S *	3/2020	Lanier	.....	D27/172
D879,370	S *	3/2020	Aznavour	.....	D27/162
10,721,961	B2 *	7/2020	Aladin	.....	A24F 1/30
D909,671	S *	2/2021	Hoch	.....	D27/162
2014/0326257	A1 *	11/2014	Jalloul	.....	A24F 5/04 131/226

**OTHER PUBLICATIONS**

Shisha silicone bowl hookah By: AliExpress found on lines Feb. 24, 2021 <https://www.aliexpress.com/item/32452110497.html>.\*

\* cited by examiner

*Primary Examiner* — Rebecca Tsehaye

(74) *Attorney, Agent, or Firm* — The Rapacke Law Group, P.A.

(57) **CLAIM**

The ornamental design for a smoking apparatus bowl, as shown and described.

**DESCRIPTION**

FIG. 1 is a perspective view of the smoking apparatus bowl, showing the new design;

FIG. 2 is a front elevational view of the smoking apparatus bowl thereof;

FIG. 3 is a rear elevational view of the smoking apparatus bowl thereof;

FIG. 4 is a left side elevational view of the smoking apparatus bowl thereof;

FIG. 5 is a right side elevational view of the smoking apparatus bowl thereof;

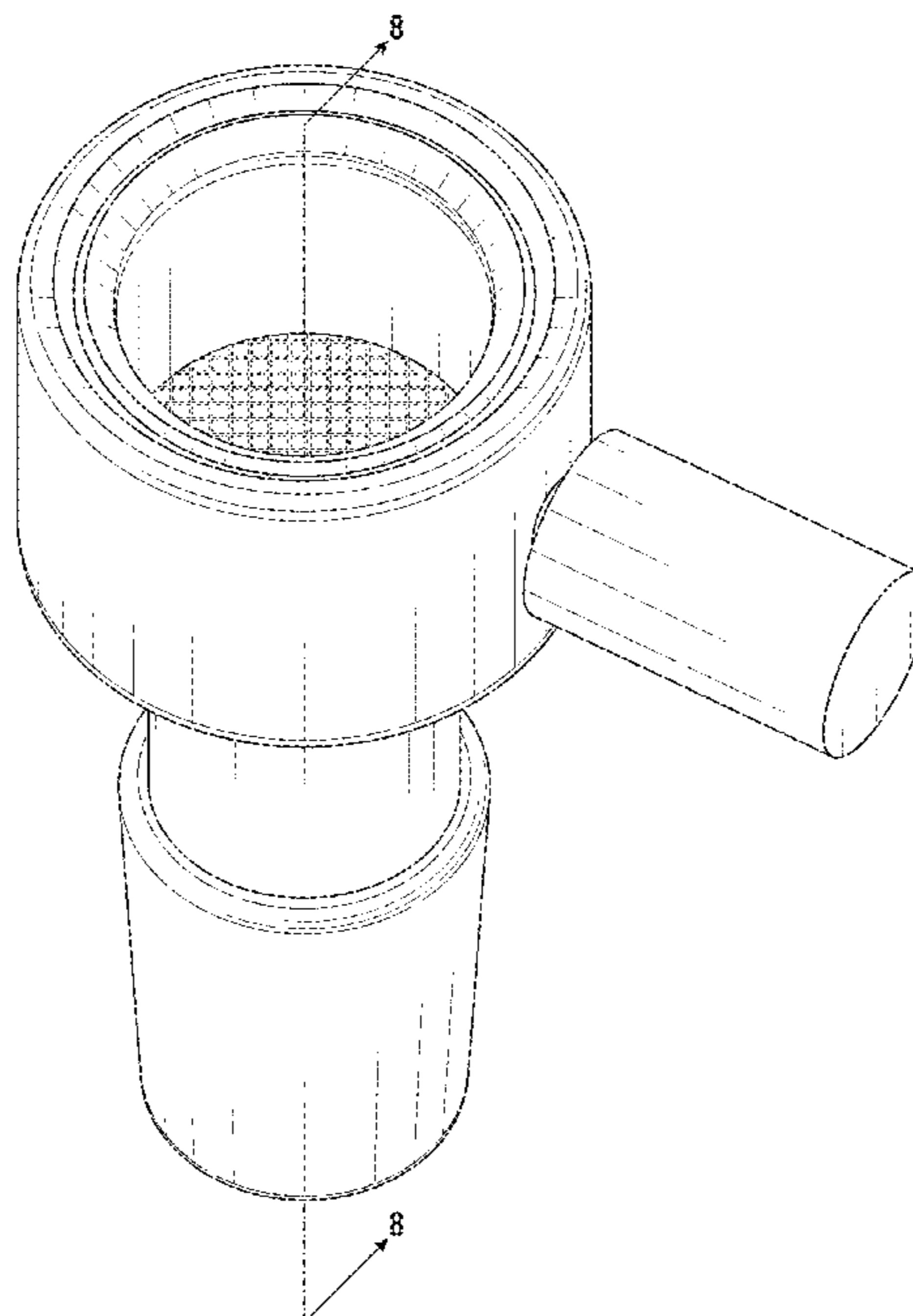
FIG. 6 is a top plan view of the smoking apparatus bowl thereof;

FIG. 7 is a bottom plan view of the smoking apparatus bowl thereof; and,

FIG. 8 is a cross-sectional view of the smoking apparatus bowl thereof.

The broken lines in the drawings depict portions of the smoking apparatus bowl that form no part of the claimed design.

**1 Claim, 6 Drawing Sheets**



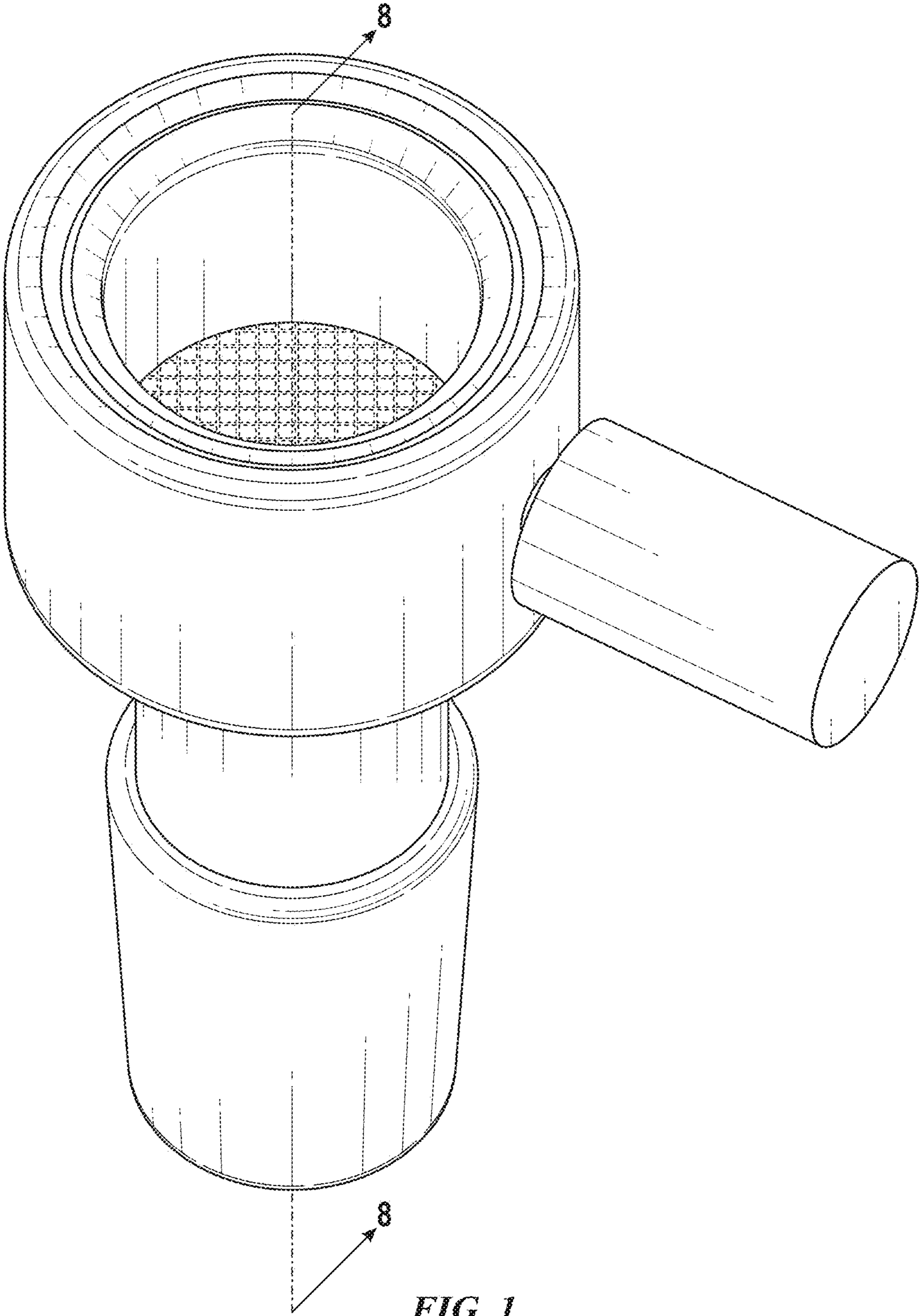
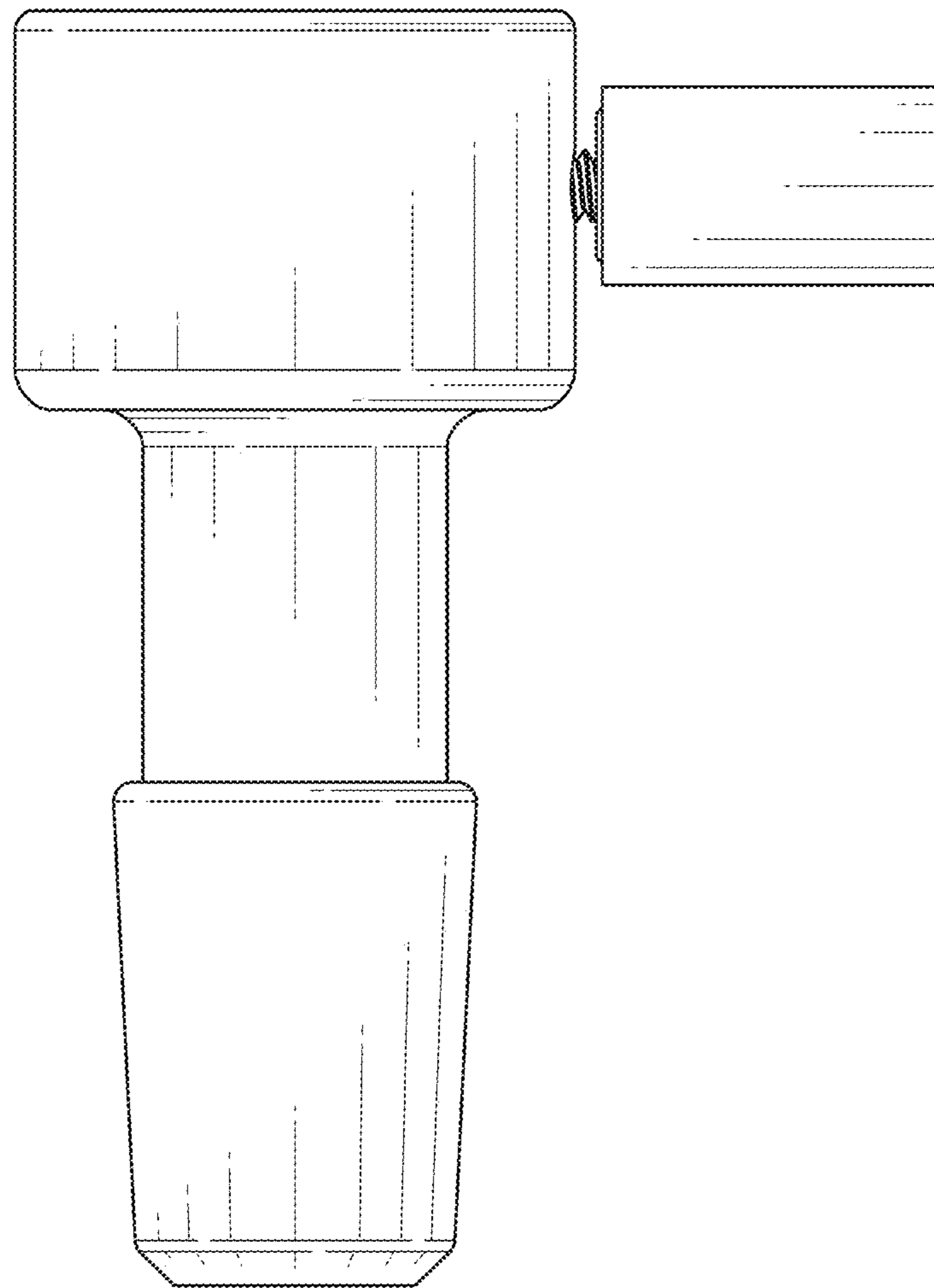
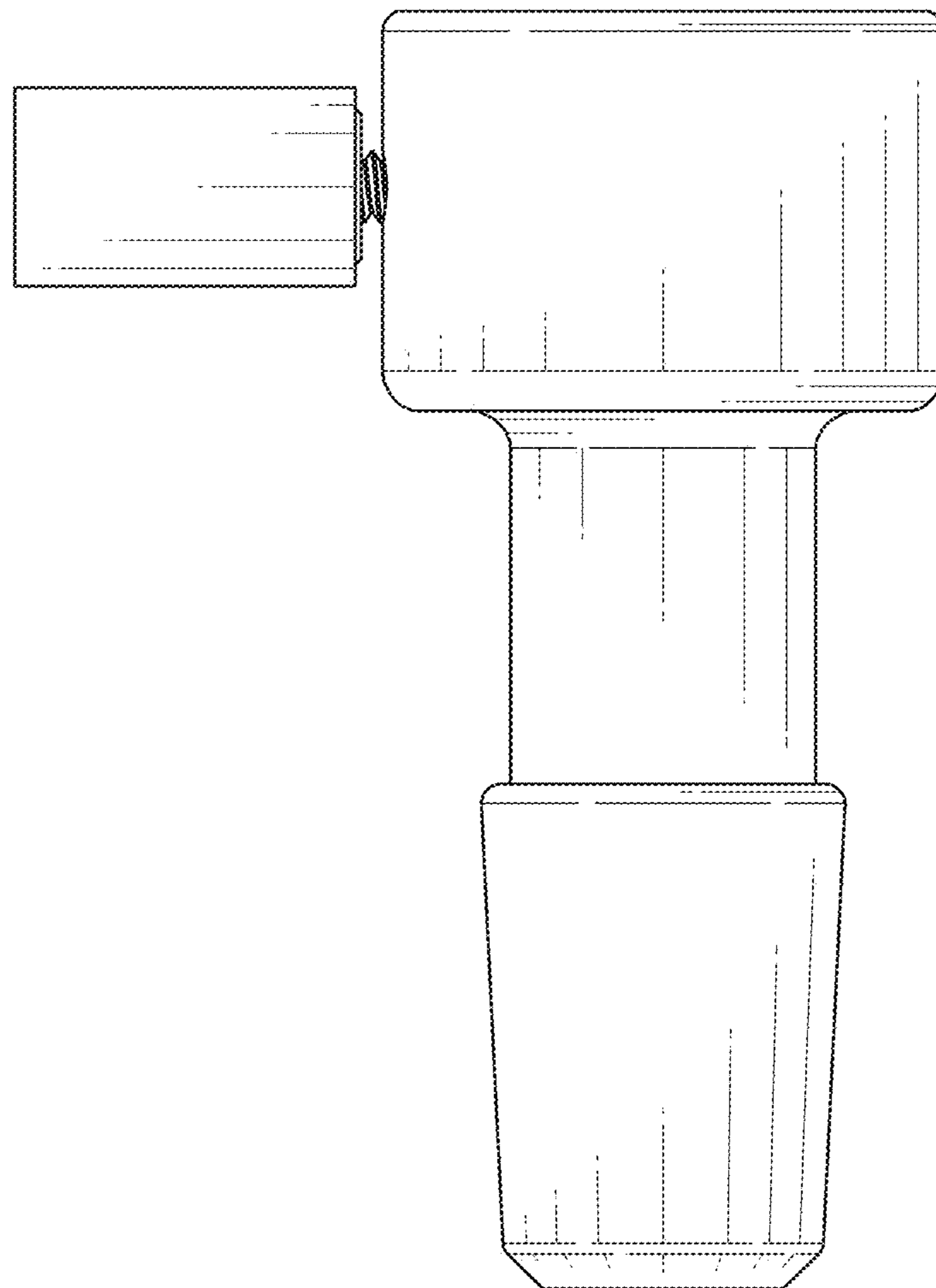


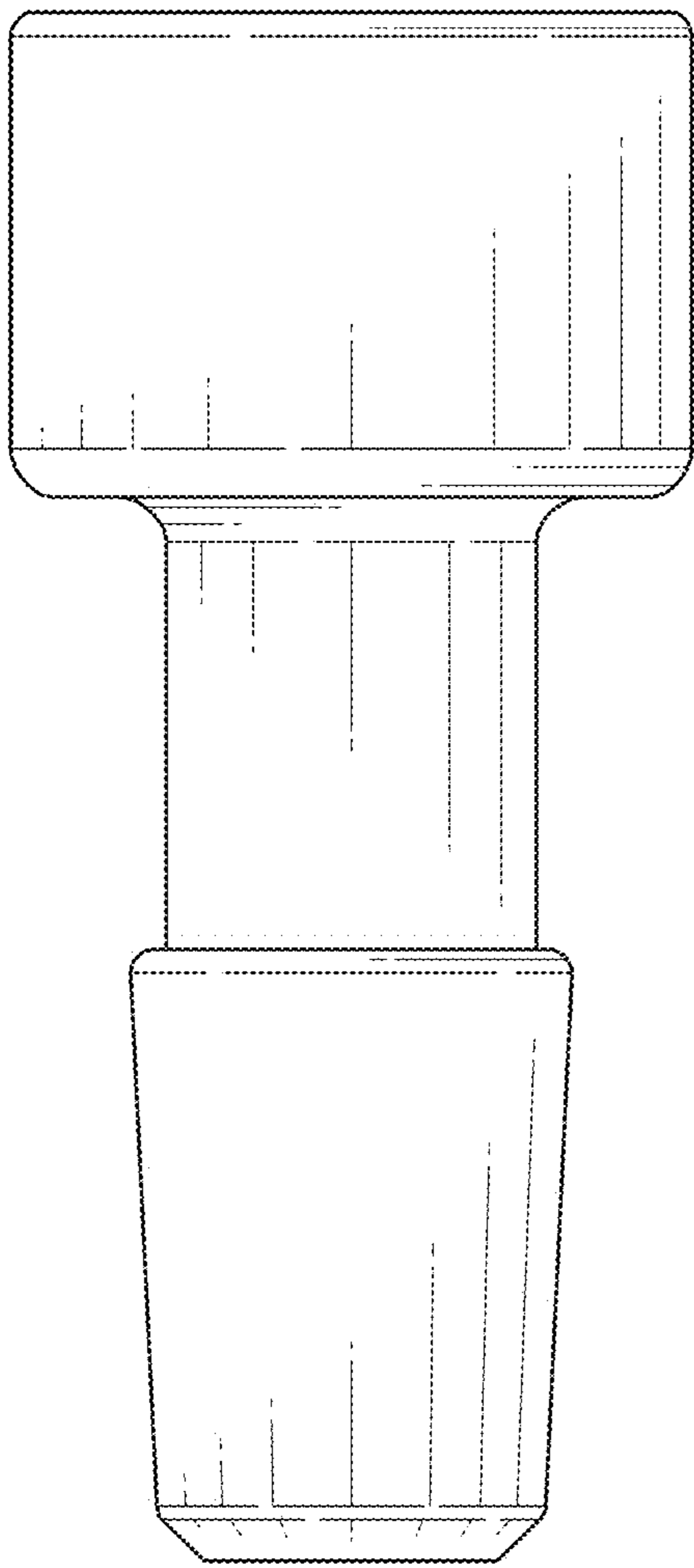
FIG. 1



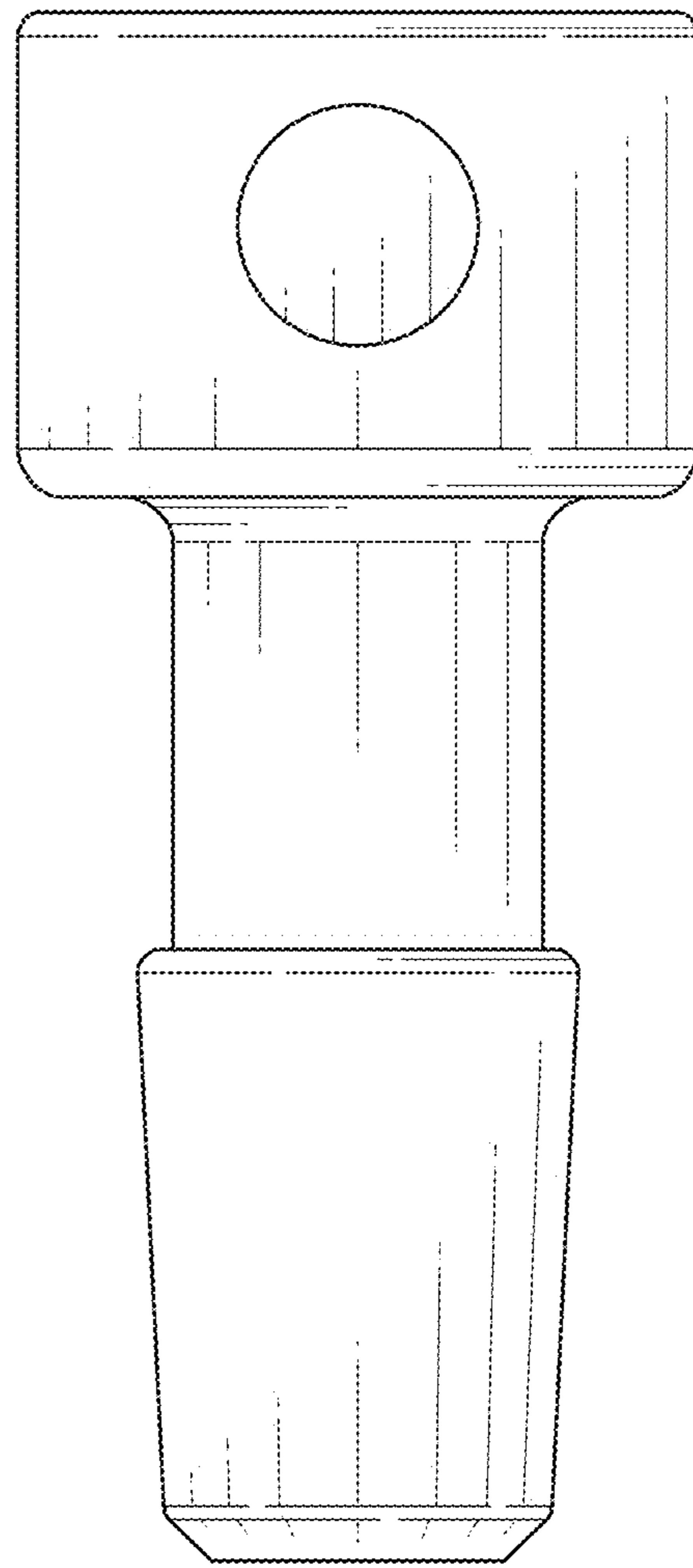
*FIG. 2*



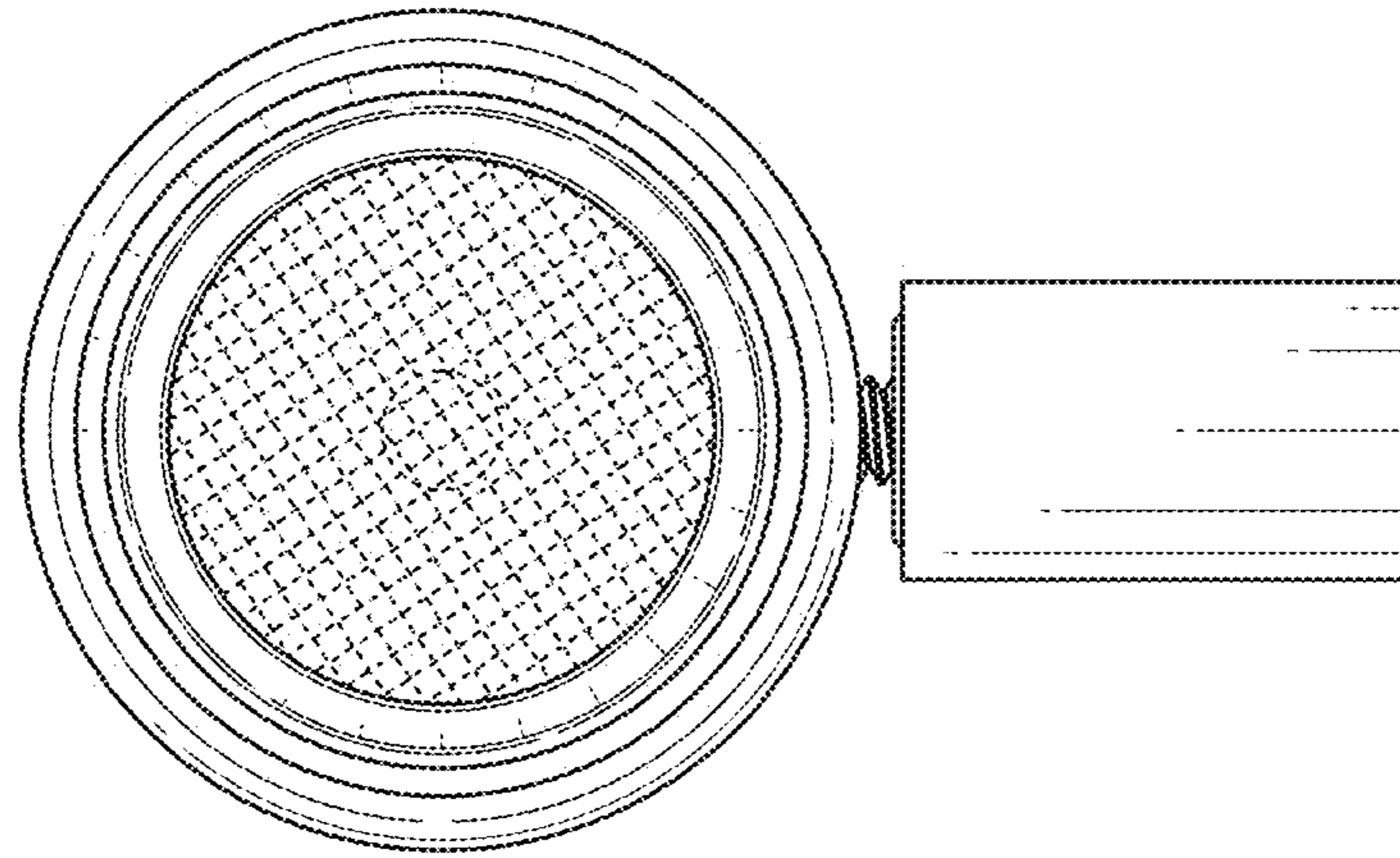
*FIG. 3*



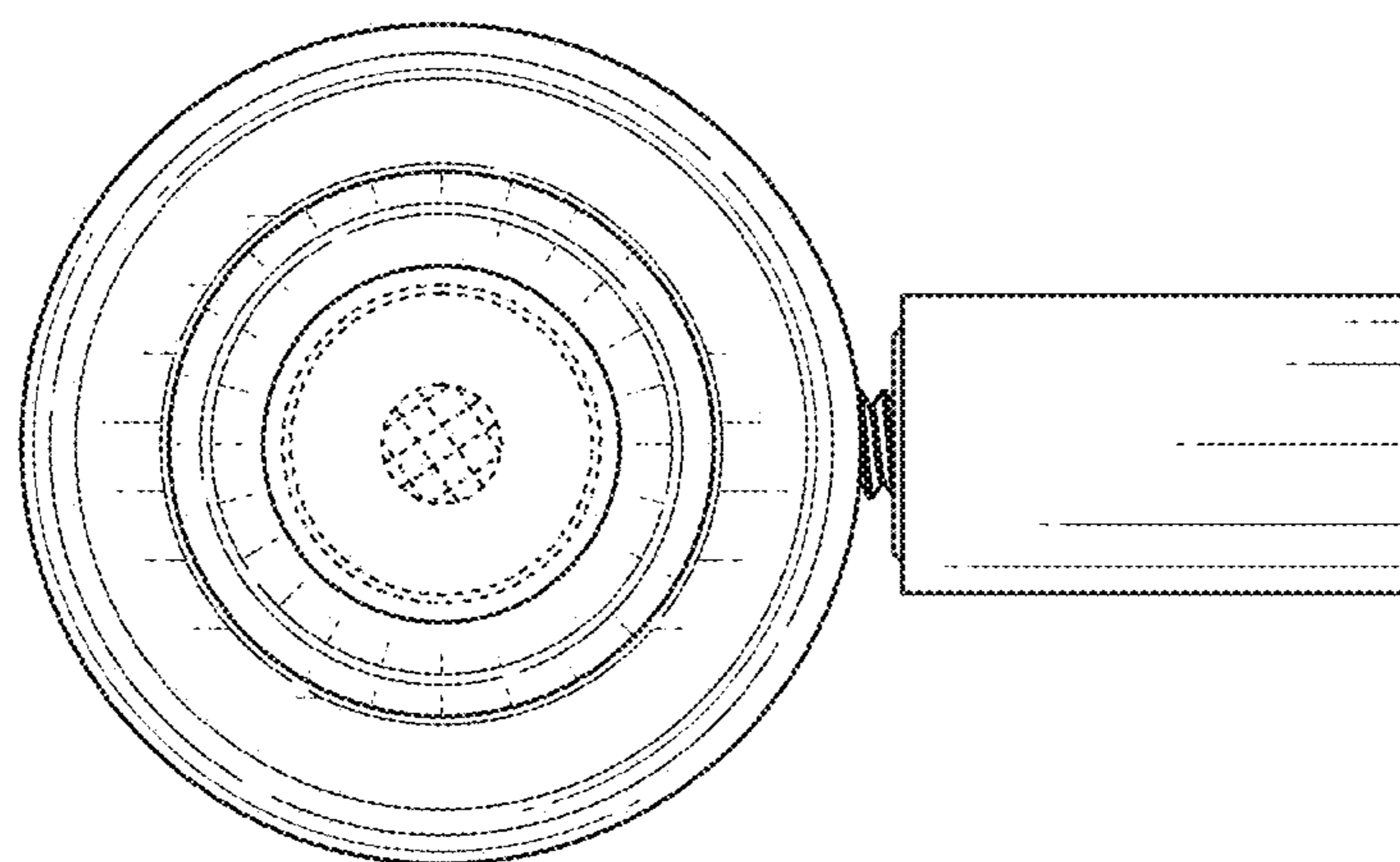
*FIG. 4*



*FIG. 5*



*FIG. 6*



*FIG. 7*

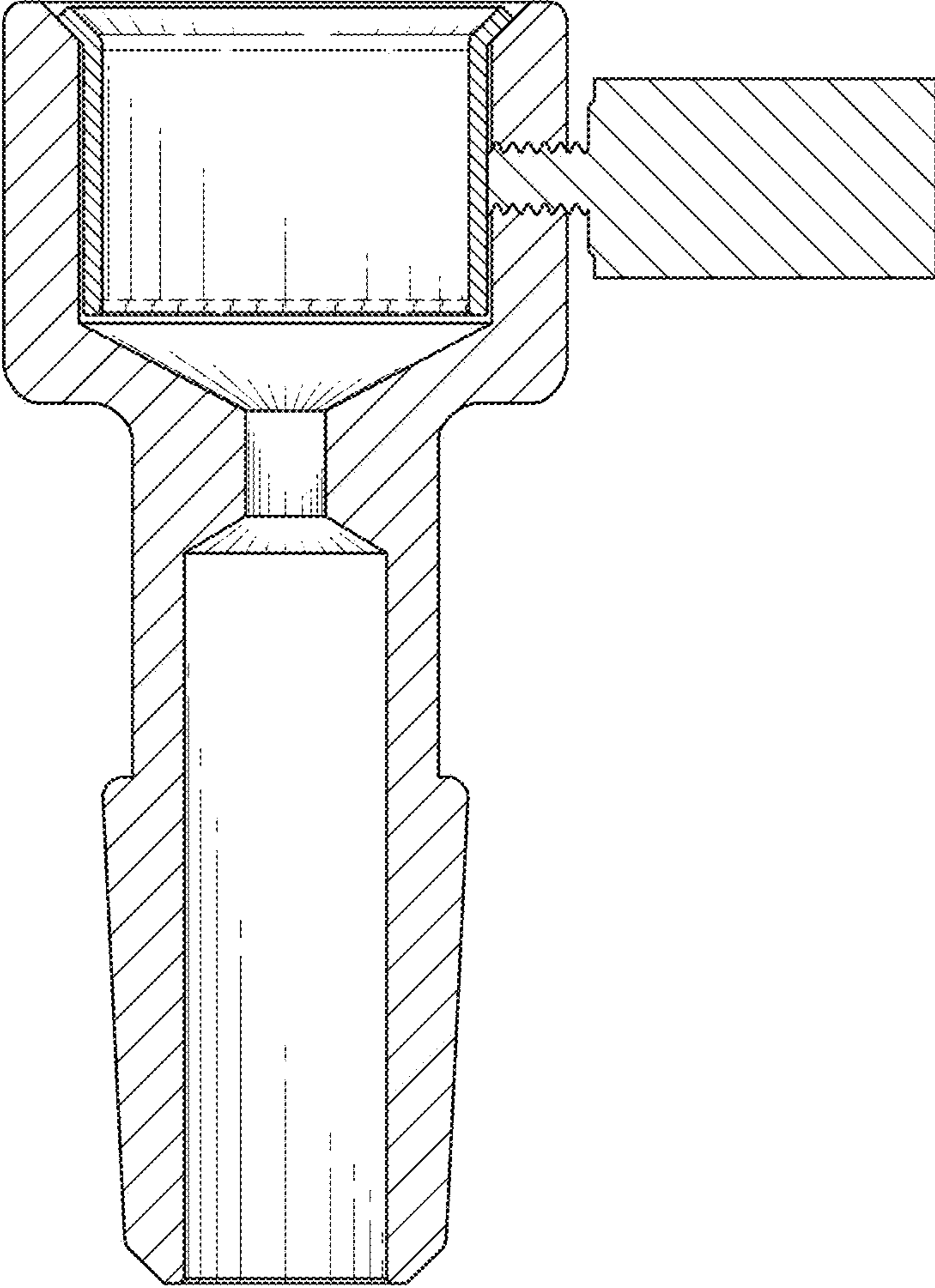


FIG. 8