



US00D943155S

(12) **United States Design Patent** (10) **Patent No.:** **US D943,155 S**
Shen (45) **Date of Patent:** **** Feb. 8, 2022**

(54) **VAPORIZER DEVICE WITH LID**
(71) Applicant: **Hanu Labs, Inc.**, Foster City, CA (US)
(72) Inventor: **Seibo Shen**, Foster City, CA (US)
(73) Assignee: **HANU LABS, INC.**, Foster City, CA (US)
(**) Term: **15 Years**
(21) Appl. No.: **29/712,502**
(22) Filed: **Nov. 8, 2019**
(51) **LOC (13) Cl.** **27-02**
(52) **U.S. Cl.**
USPC **D27/162**
(58) **Field of Classification Search**
USPC D27/162, 100, 101, 163-165, 172, 174,
D27/175, 183, 185-194; D24/110, 110.5;
D23/366
CPC A24F 47/002; A24F 47/006; A24F 47/008;
A61M 15/00; A61M 15/06
See application file for complete search history.

D852,408 S * 6/2019 Nettenstrom D27/101
D855,875 S * 8/2019 Yan D27/101
D863,675 S * 10/2019 Huang D27/163

OTHER PUBLICATIONS

Hanu Lab's Stone Vaporizer Hits Like a Ton of Bricks by: Hanu Labs Article by: Andrew Tarantola found on line (May 13, 2019) <https://www.engadget.com/2019-05-13-hanu-labs-stone-vaporizer-hits-like-a-ton-of-bricks.html> Jan. 8, 2020.*
Hanu Stone Vaporizer by Hanu Labs found on line (May 21, 2019) <https://www.google.com/search?q=hanu+labs+stone+vaporizer&safe=active&source=lnms&tbn=isch&sa=X&ved=> Jan. 8, 2020.*

* cited by examiner

Primary Examiner — Rebecca Tsehaye
(74) *Attorney, Agent, or Firm* — McAndrews, Held & Malloy, Ltd.

(57) **CLAIM**

The ornamental design for a vaporizer device with lid, as shown and described.

DESCRIPTION

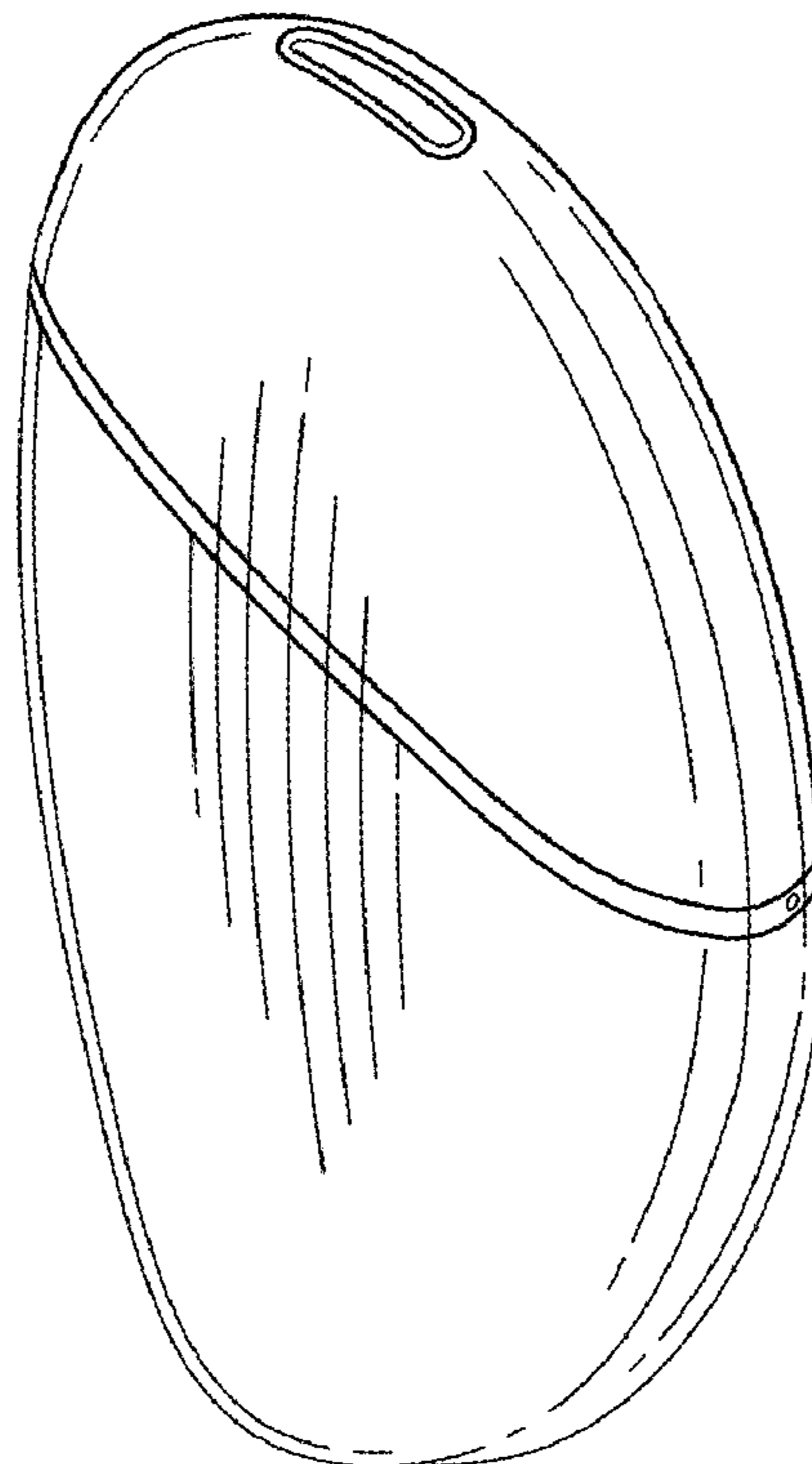
FIG. 1 is a front perspective view of a vaporizer device with lid showing my new design;
FIG. 2 is a front elevation view thereof;
FIG. 3 is a rear elevation view thereof;
FIG. 4 is a left side elevation view thereof;
FIG. 5 is a right side elevation view thereof;
FIG. 6 is a top plan view thereof; and,
FIG. 7 is a bottom plan view thereof.

1 Claim, 2 Drawing Sheets

(56) **References Cited**

U.S. PATENT DOCUMENTS

D373,993 S * 9/1996 Kettula D13/107
D541,923 S * 5/2007 Castillo Higareda D23/366
D552,730 S * 10/2007 Collins D24/110
D737,419 S * 8/2015 Emarlou D23/360
D804,015 S * 11/2017 Lamba D24/110
D850,710 S * 6/2019 Wu D27/101



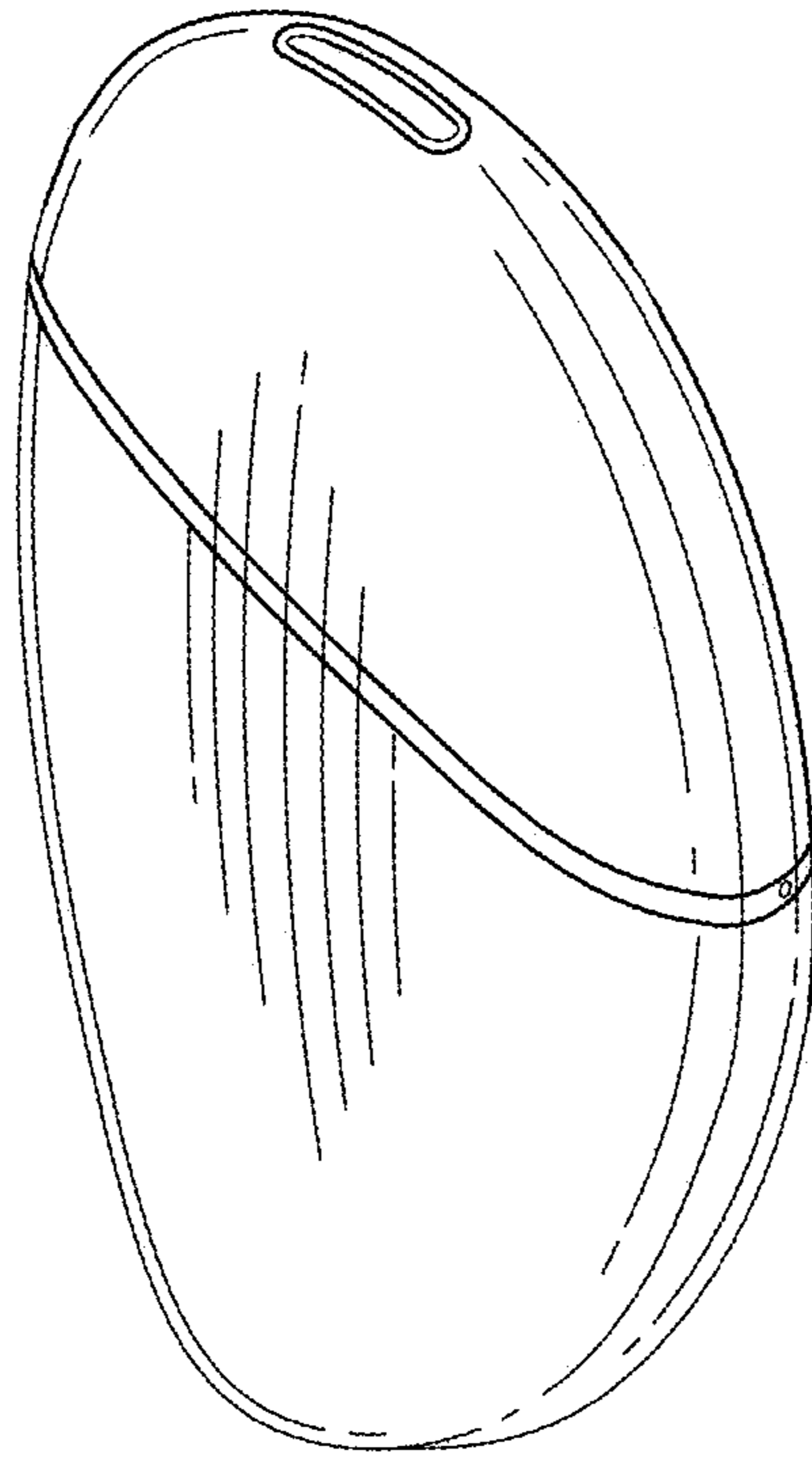


FIG. 1

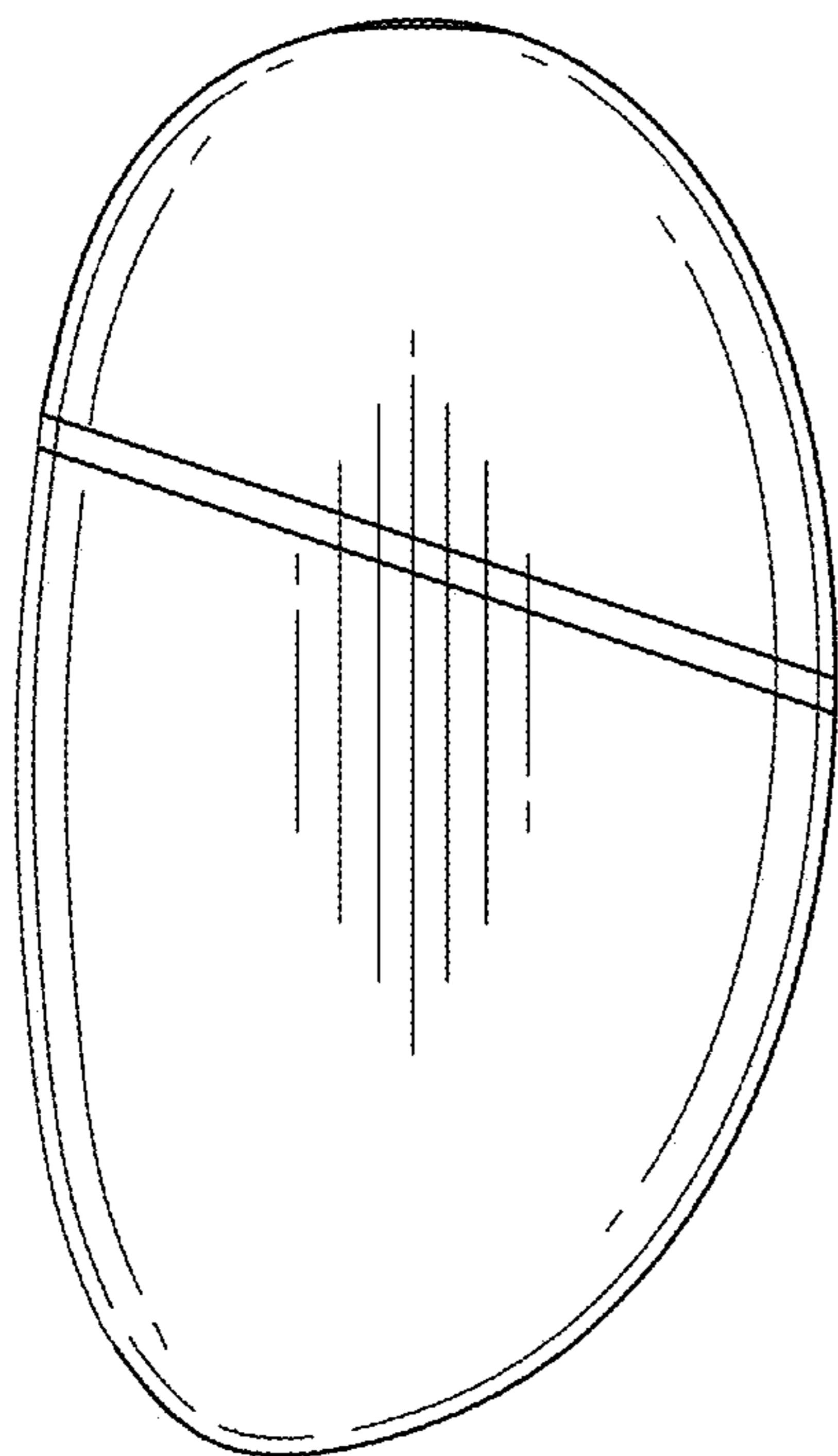


FIG. 2

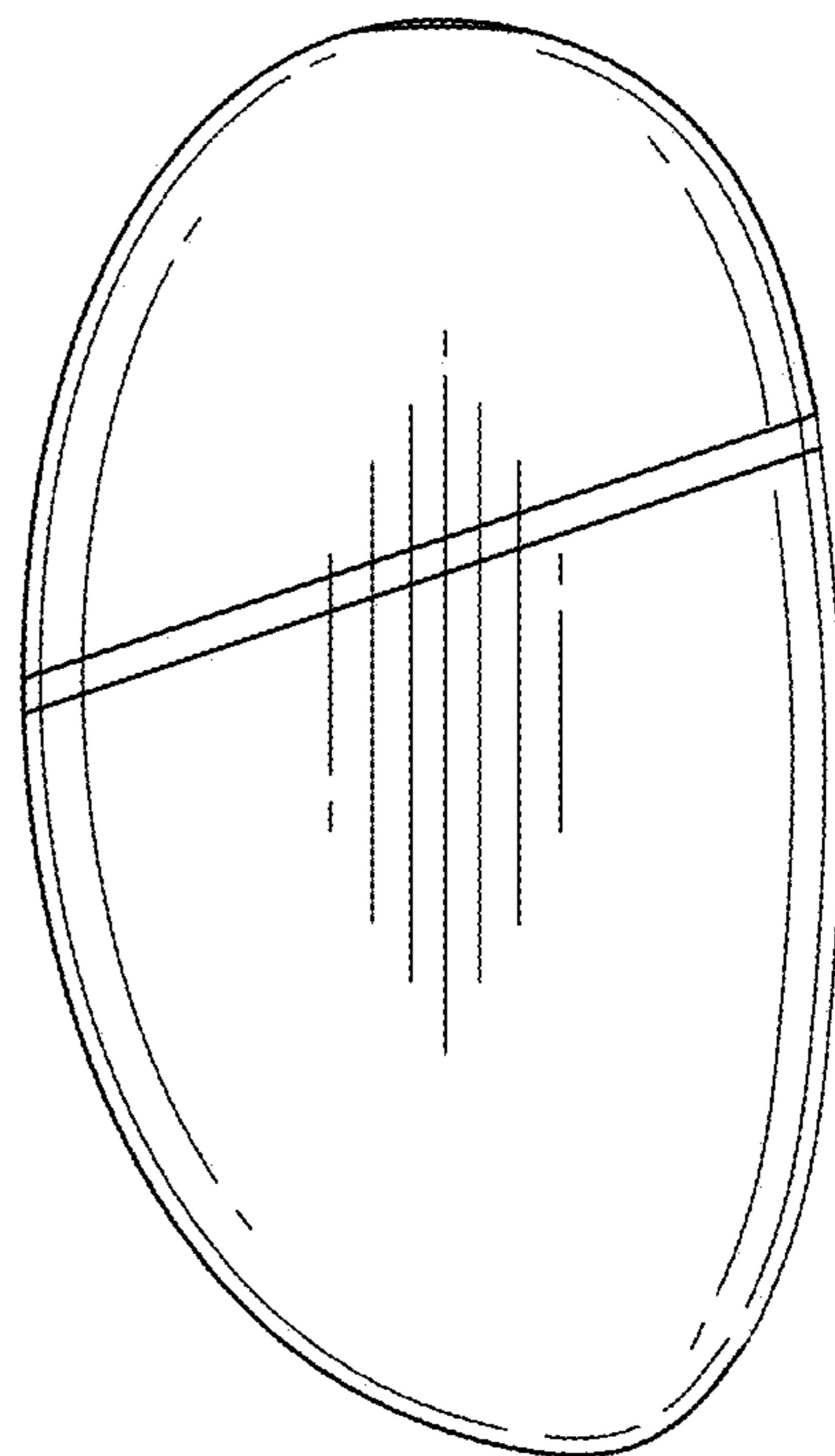


FIG. 3

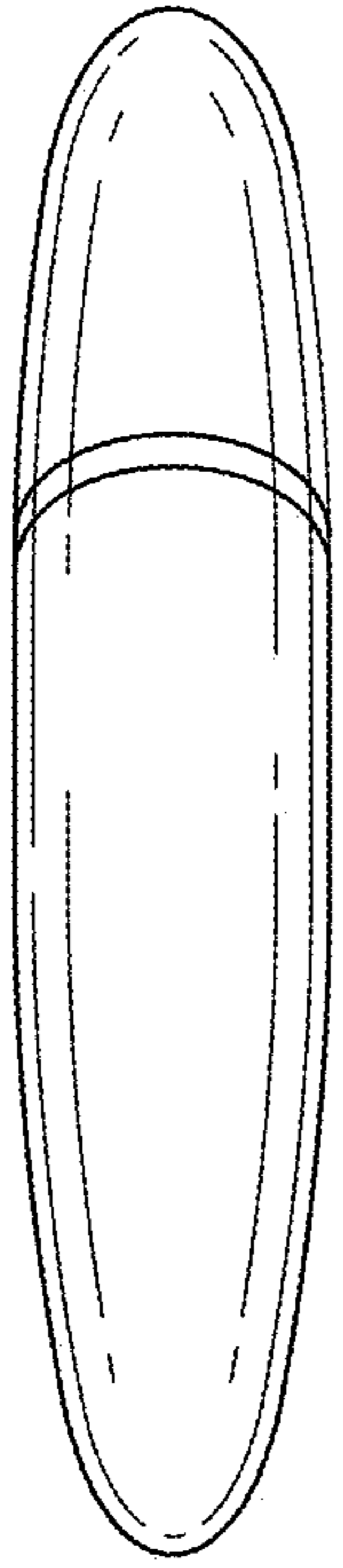


FIG. 4

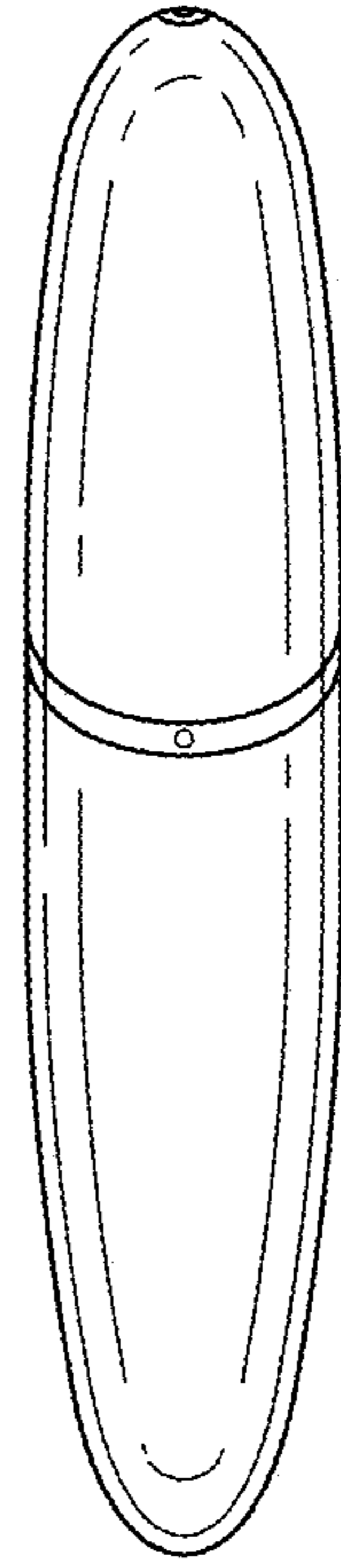


FIG. 5

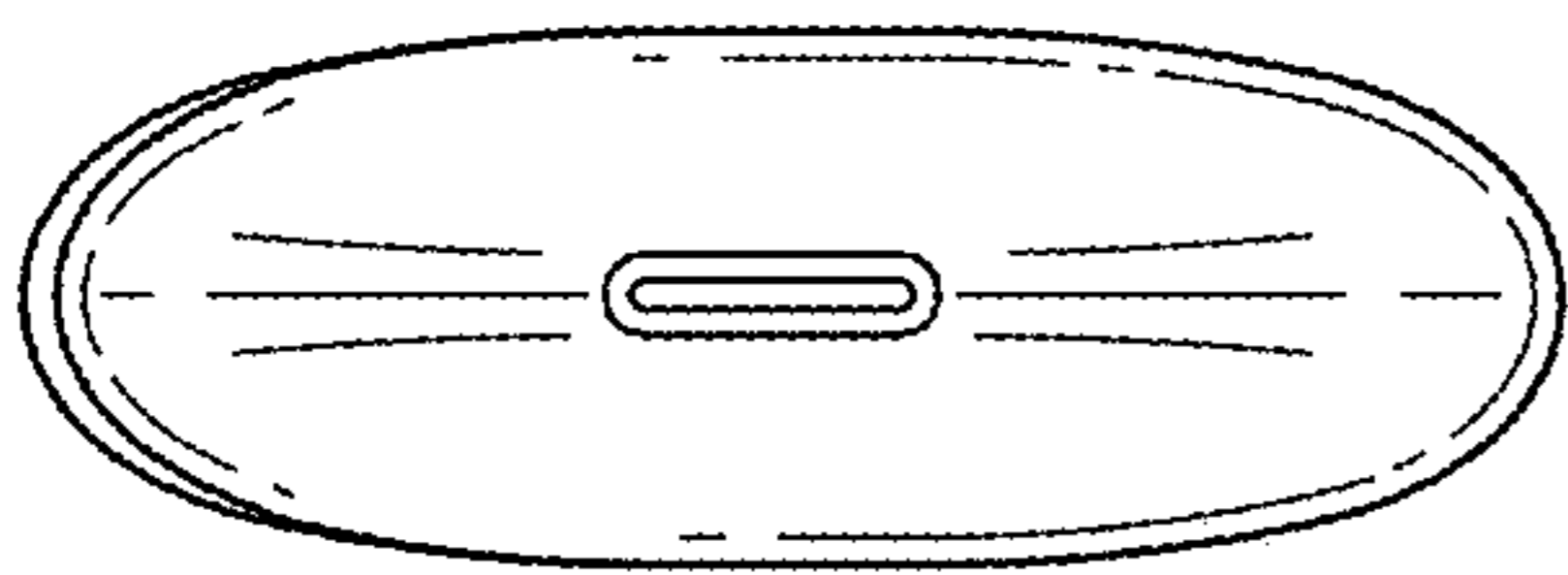


FIG. 6

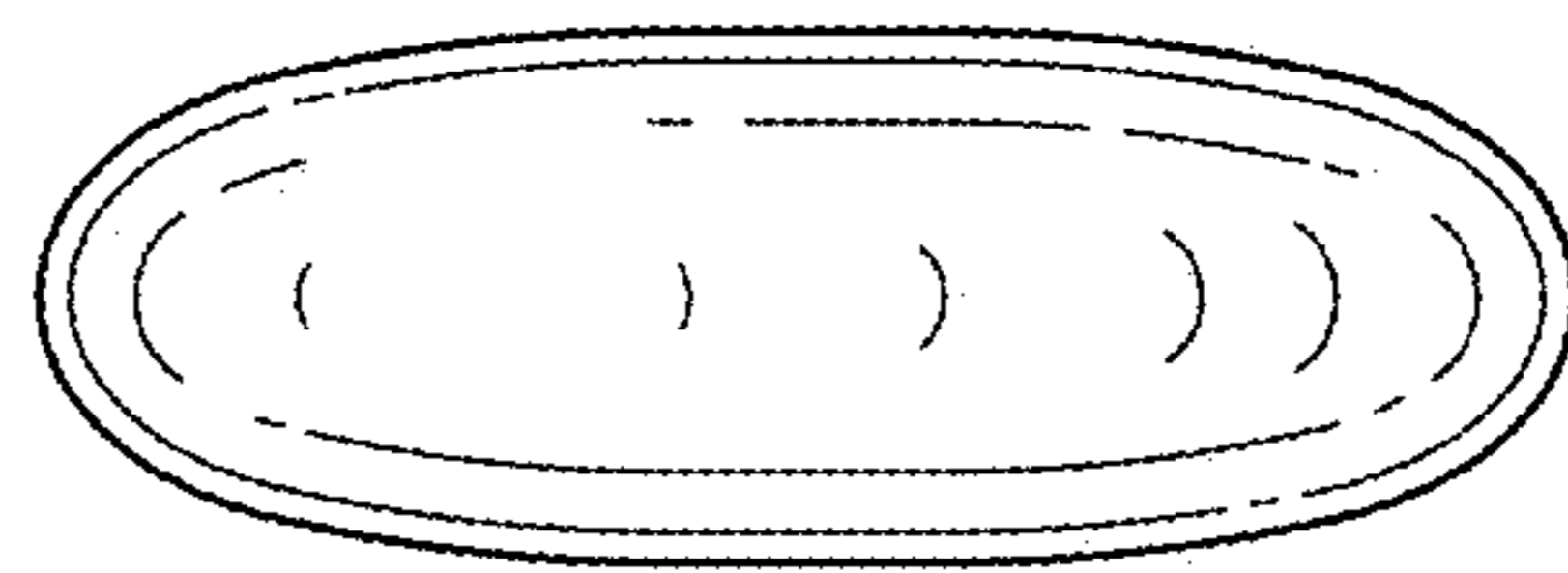


FIG. 7