



US00D943154S

(12) **United States Design Patent**
Liu et al.

(10) **Patent No.:** **US D943,154 S**
(45) **Date of Patent:** **** Feb. 8, 2022**

- (54) **ATOMIZING DEVICE**
- (71) Applicant: **Shenzhen Smoore Technology Limited**, Guandong (CN)
- (72) Inventors: **Yu Liu**, Shenzhen (CN); **Baosheng Lai**, Shenzhen (CN)
- (73) Assignee: **SHENZHEN SMOORE TECHNOLOGY LIMITED**, Shenzhen (CN)
- (**) Term: **15 Years**
- (21) Appl. No.: **29/711,979**
- (22) Filed: **Nov. 4, 2019**
- (30) **Foreign Application Priority Data**
May 27, 2019 (CN) 201930263276.2
- (51) **LOC (13) Cl.** **27-02**
- (52) **U.S. Cl.**
USPC **D27/162**
- (58) **Field of Classification Search**
USPC D27/162, 100, 101, 163–165, 167, 172, D27/174–176, 183, 185–194; D24/110, D24/110.5
CPC A24F 47/002; A24F 47/006; A24F 47/008; A61M 15/00; A61M 15/06
See application file for complete search history.

D809,192 S *	1/2018	Liu	D27/163
D893,798 S *	8/2020	Liu	D27/162
D899,677 S *	10/2020	Liu	D27/162
D907,287 S *	1/2021	Wang	D27/162

* cited by examiner

Primary Examiner — Rebecca Tsehaye

(57) **CLAIM**

The ornamental design for an atomizing device, as shown and described.

DESCRIPTION

FIG.1 is a perspective view of an atomizing device according to a first embodiment;
 FIG. 2 is another perspective view thereof;
 FIG. 3 is a front elevational view thereof;
 FIG. 4 is a rear elevational view thereof;
 FIG. 5 is a left side elevational view thereof;
 FIG. 6 is a right side elevational view thereof;
 FIG. 7 is an enlarged top plan view thereof;
 FIG. 8 is an enlarged bottom plan view thereof;
 FIG. 9 is a perspective view of an atomizing device according to a second embodiment;
 FIG. 10 is another perspective view thereof;
 FIG. 11 is a front elevational view thereof;
 FIG. 12 is a rear elevational view thereof;
 FIG. 13 is a left side elevational view thereof;
 FIG. 14 is a right side elevational view thereof;
 FIG. 15 is an enlarged top plan view thereof; and,
 FIG. 16 is an enlarged bottom plan view thereof.

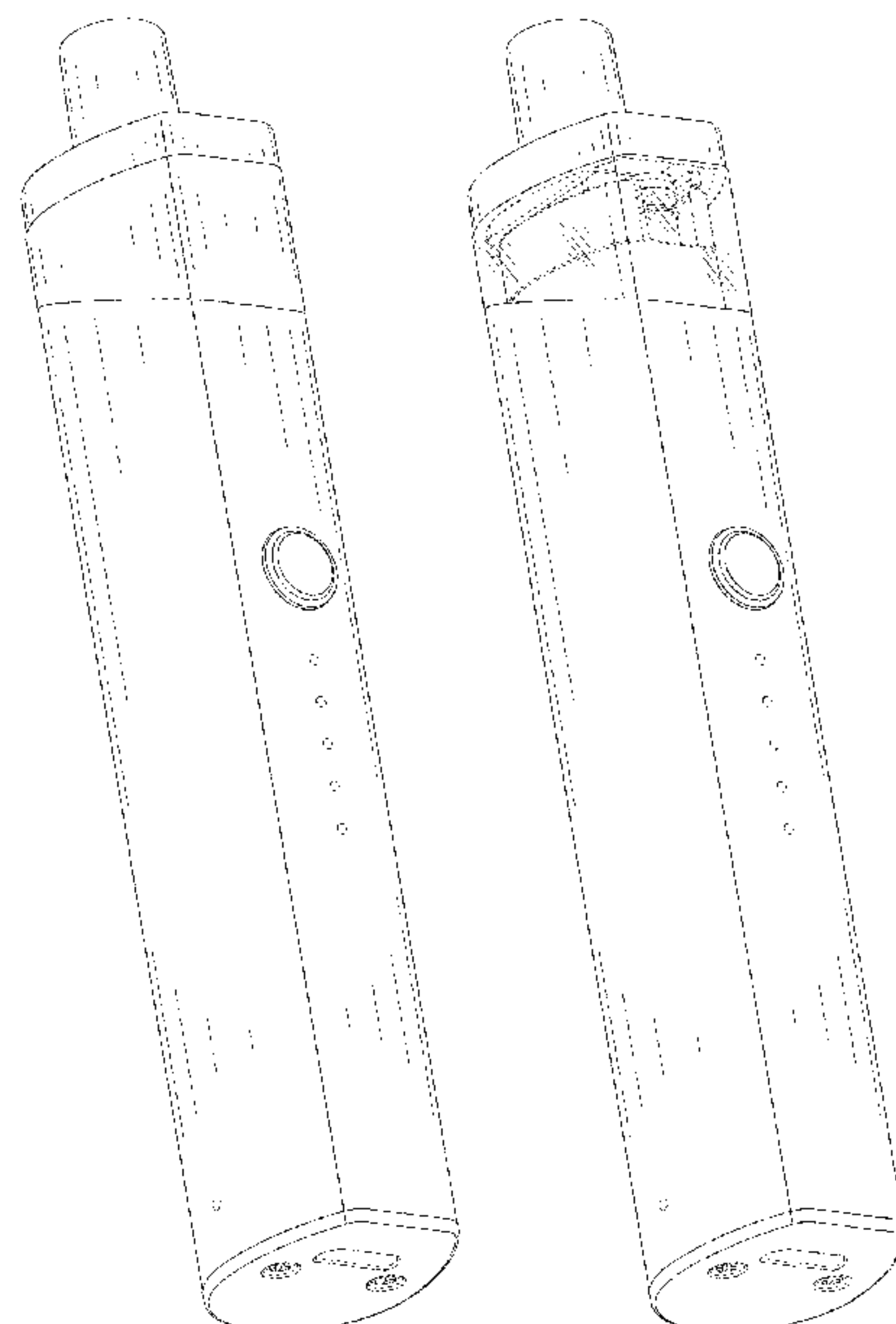
In the drawings, the evenly spaced broken lines depict portions of the atomizing device that form no part of the claimed design.

The long and short lines in the drawings depict the boundary of the claimed invention and forms no part of the claimed design.

The oblique shade lines show transparency.

1 Claim, 16 Drawing Sheets

- (56) **References Cited**
U.S. PATENT DOCUMENTS
- | | | | | |
|--------------|--------|------------|-------|---------|
| D724,264 S * | 3/2015 | Chambers | | D27/101 |
| D730,571 S * | 5/2015 | Chen | | D27/101 |
| D749,261 S * | 2/2016 | Chen | | D27/162 |
| D751,249 S * | 3/2016 | Chen | | D27/101 |
| D779,722 S * | 2/2017 | Volodarsky | | D27/162 |
| D806,942 S * | 1/2018 | Qiu | | D27/101 |



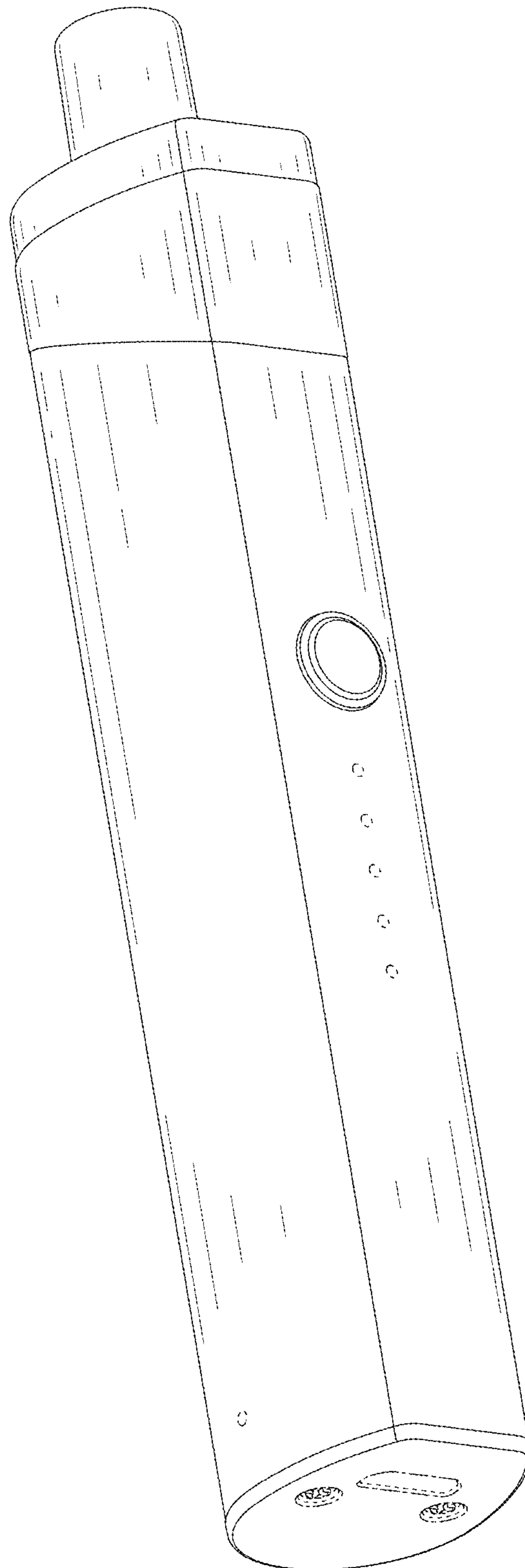


FIG. 1

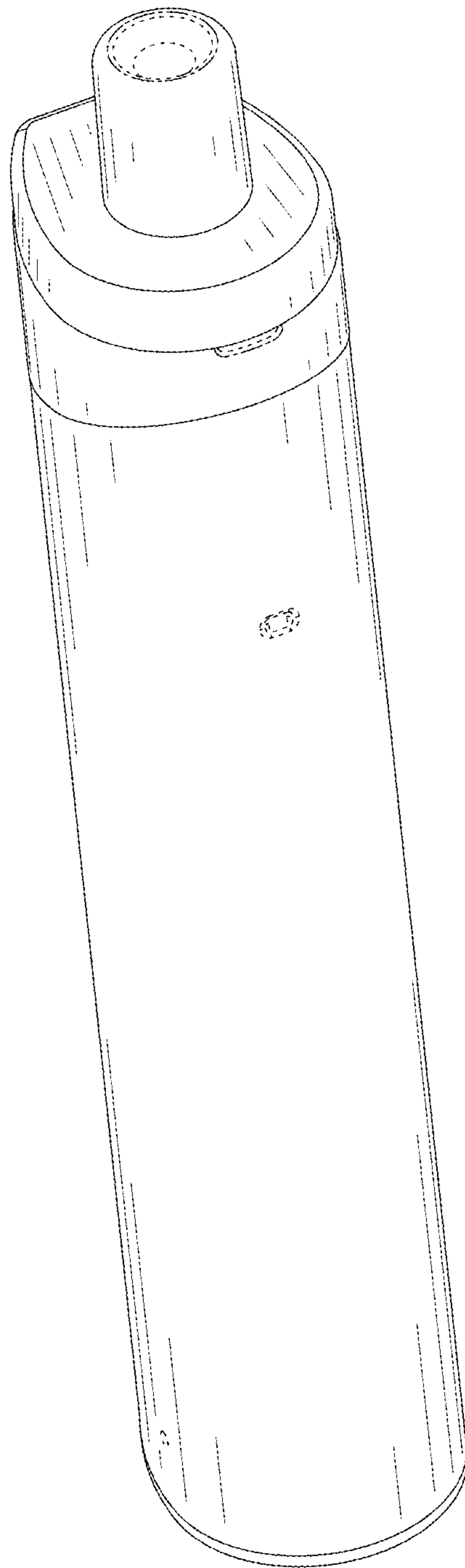


FIG. 2

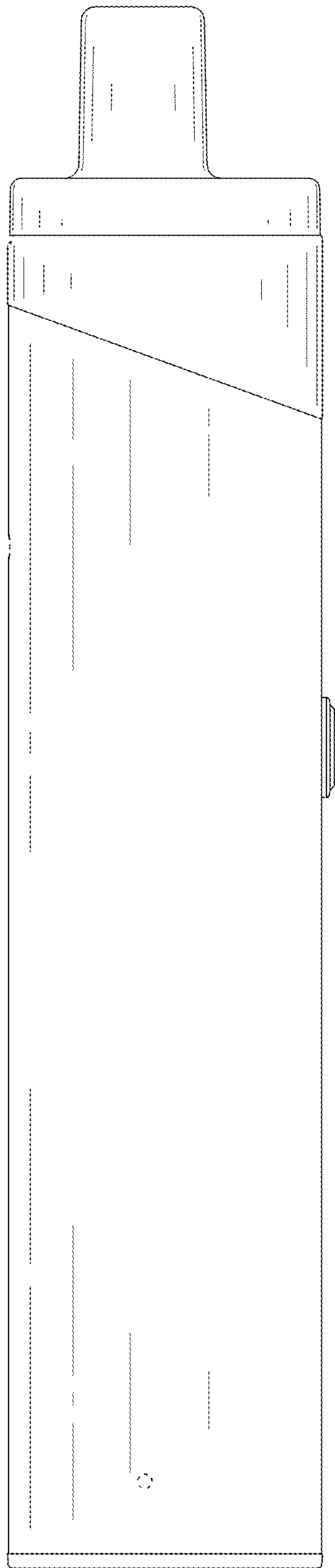


FIG. 3

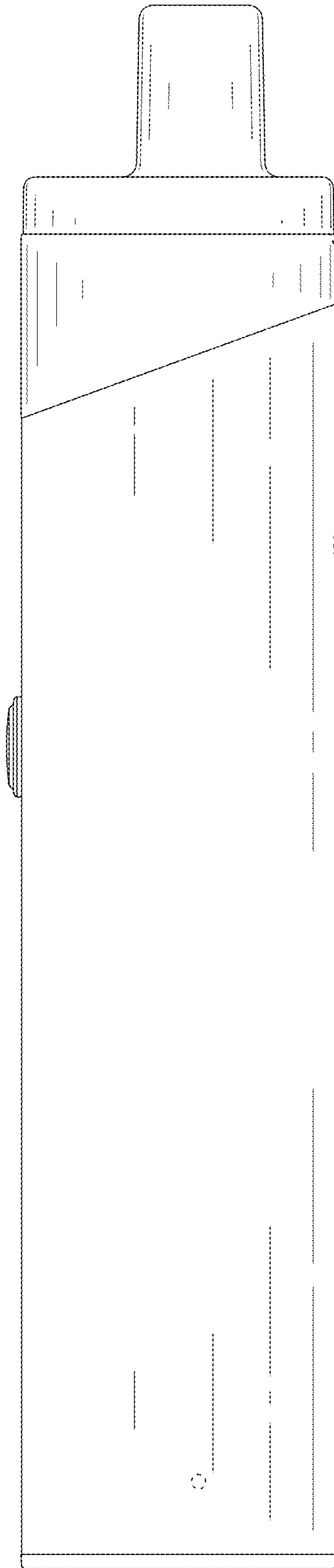


FIG. 4

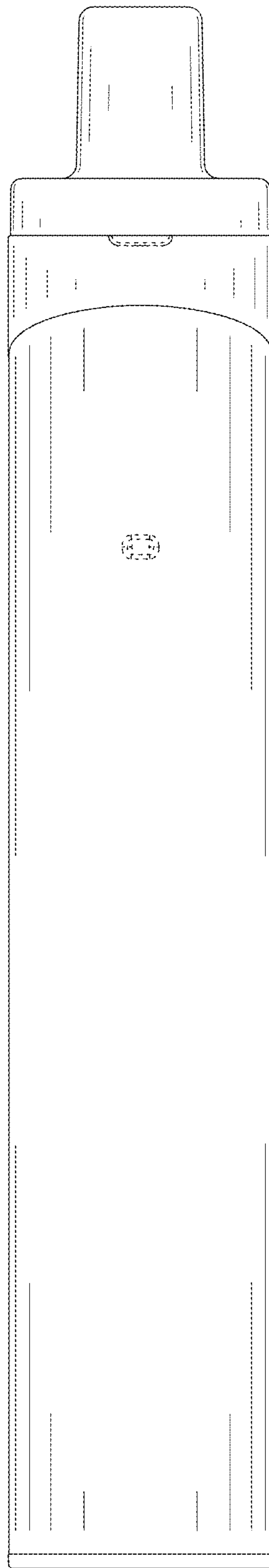


FIG. 5

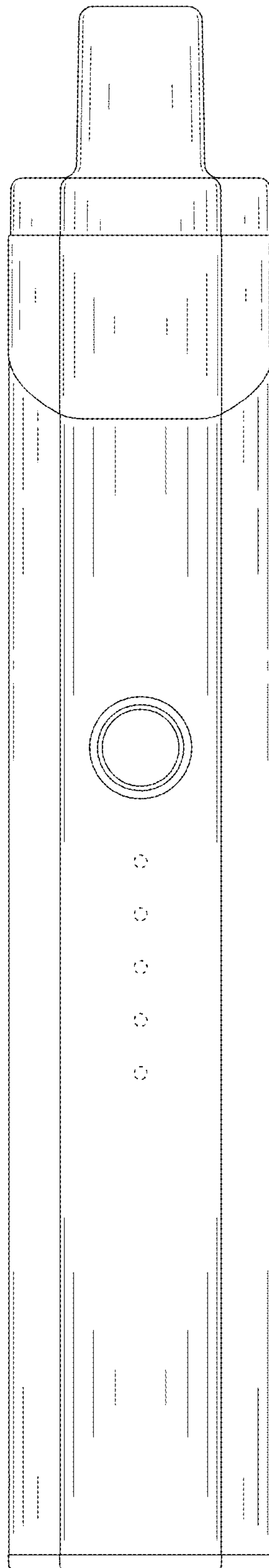


FIG. 6

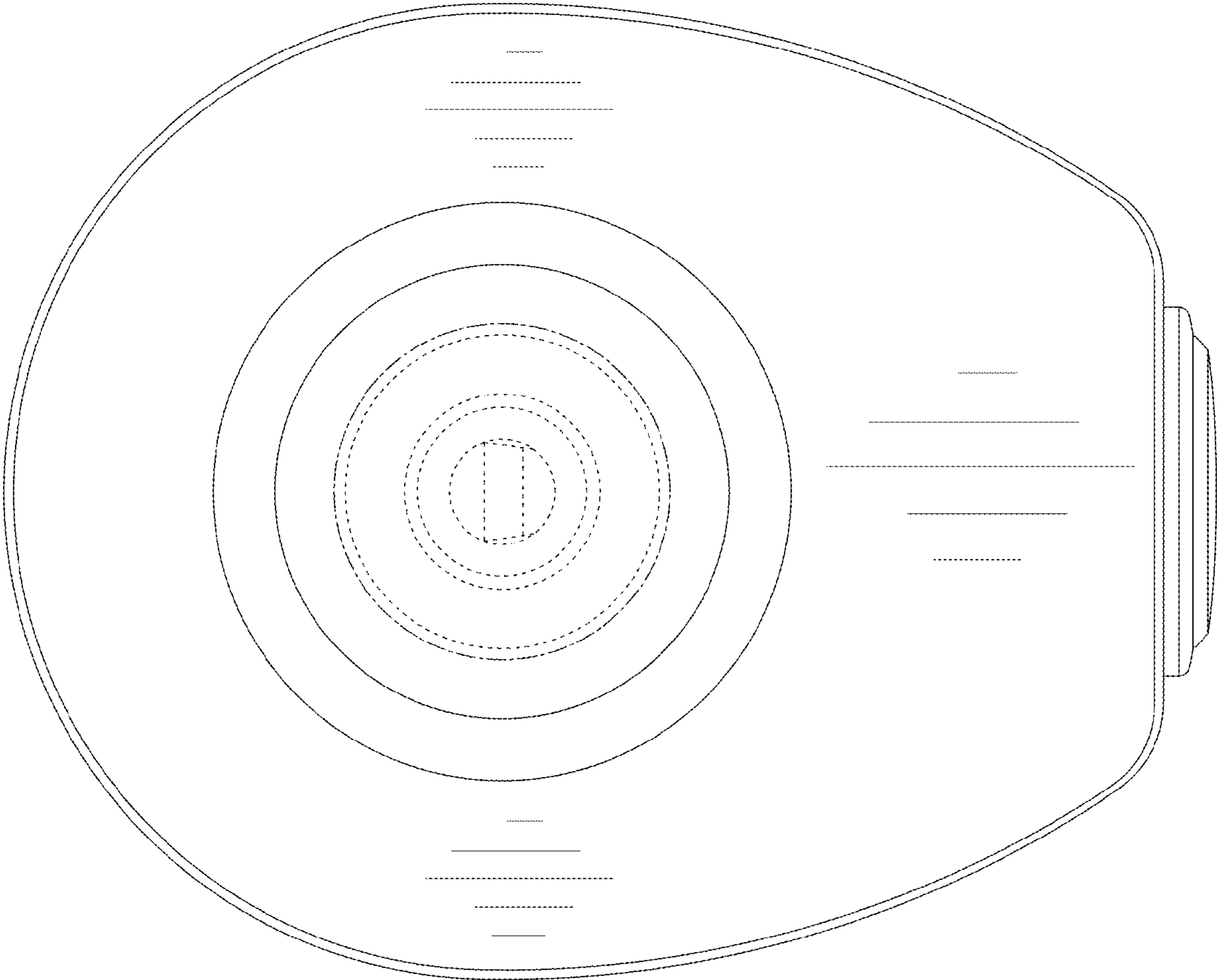


FIG. 7

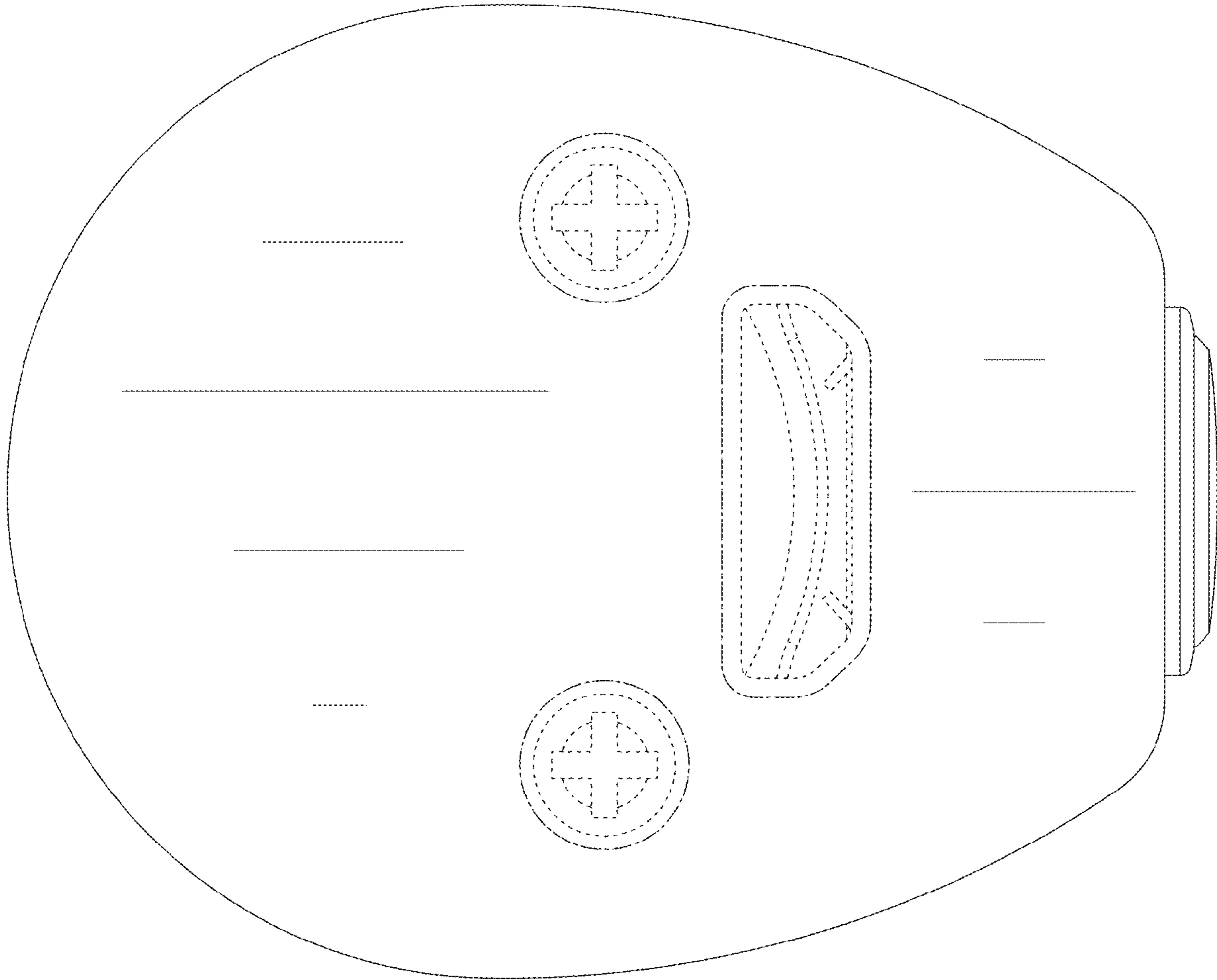


FIG. 8

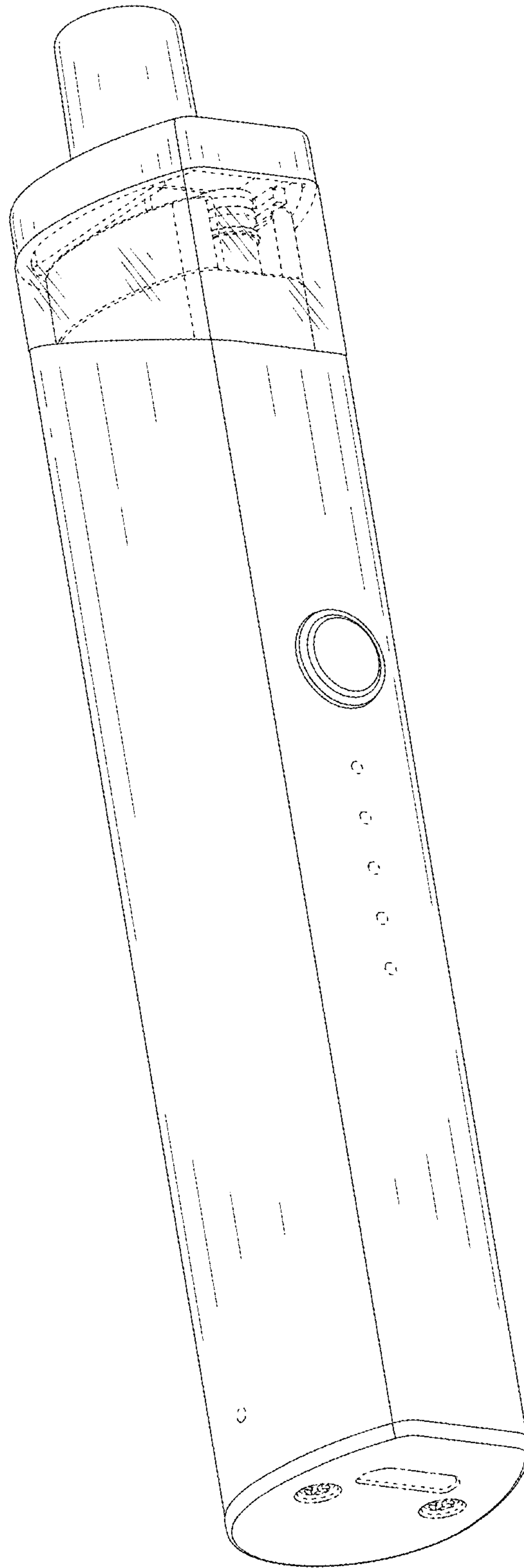


FIG. 9

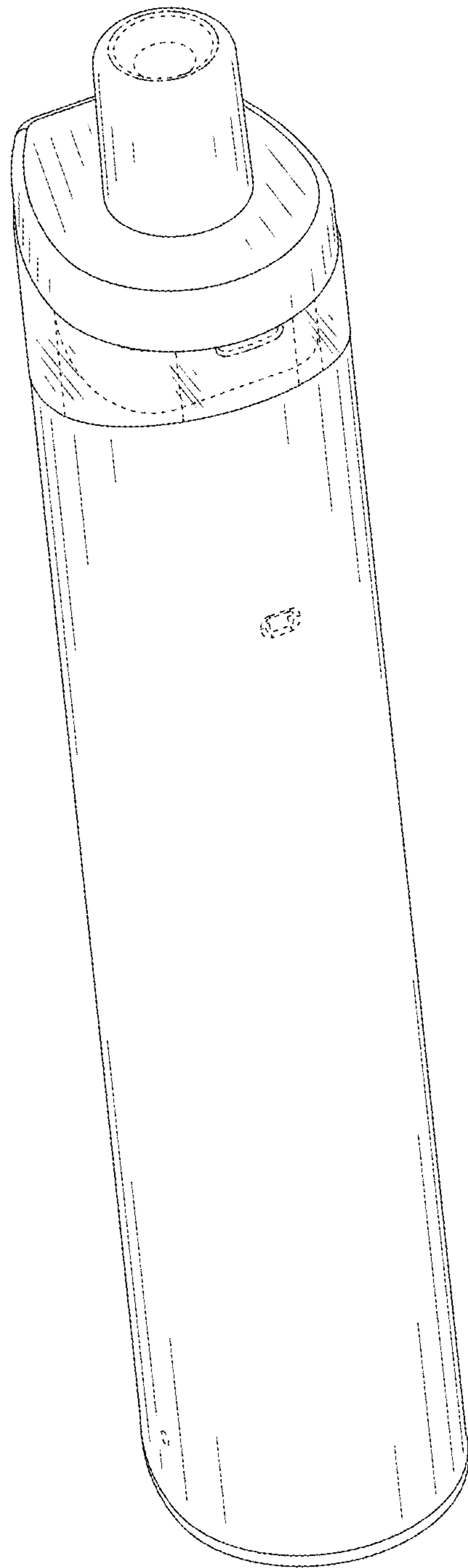


FIG. 10

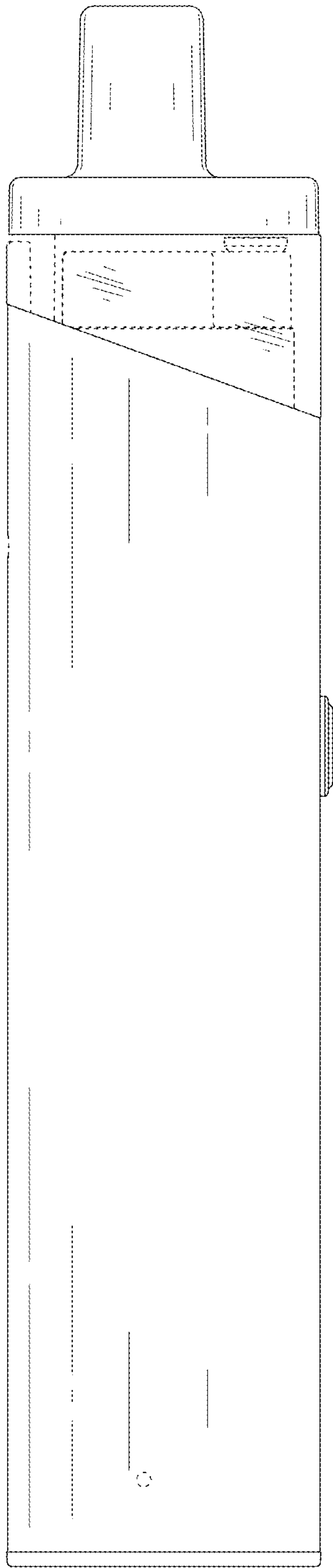


FIG. 11

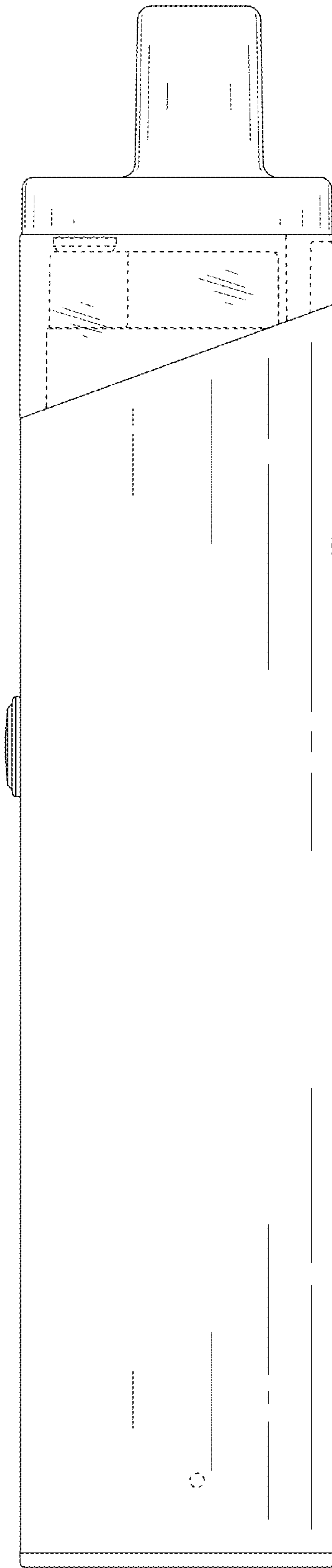


FIG. 12

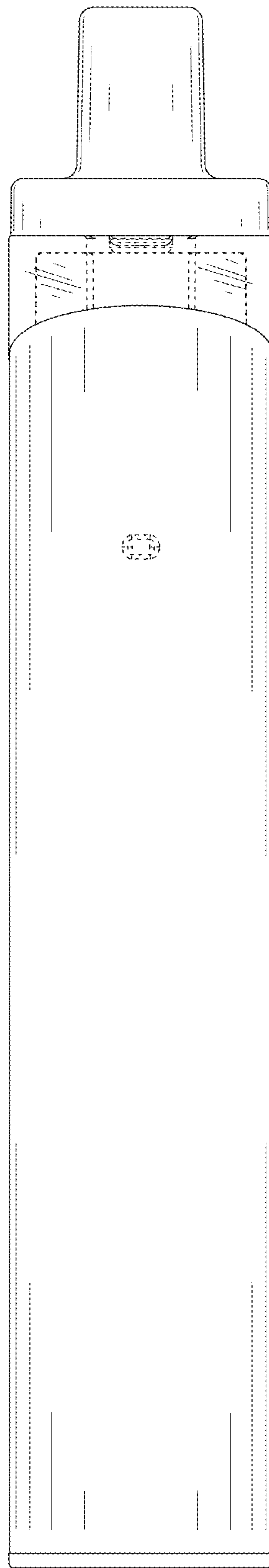


FIG. 13

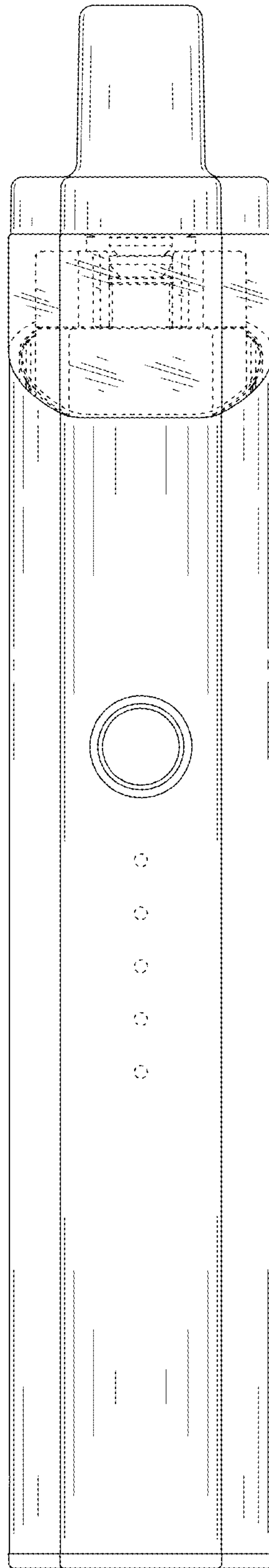


FIG. 14

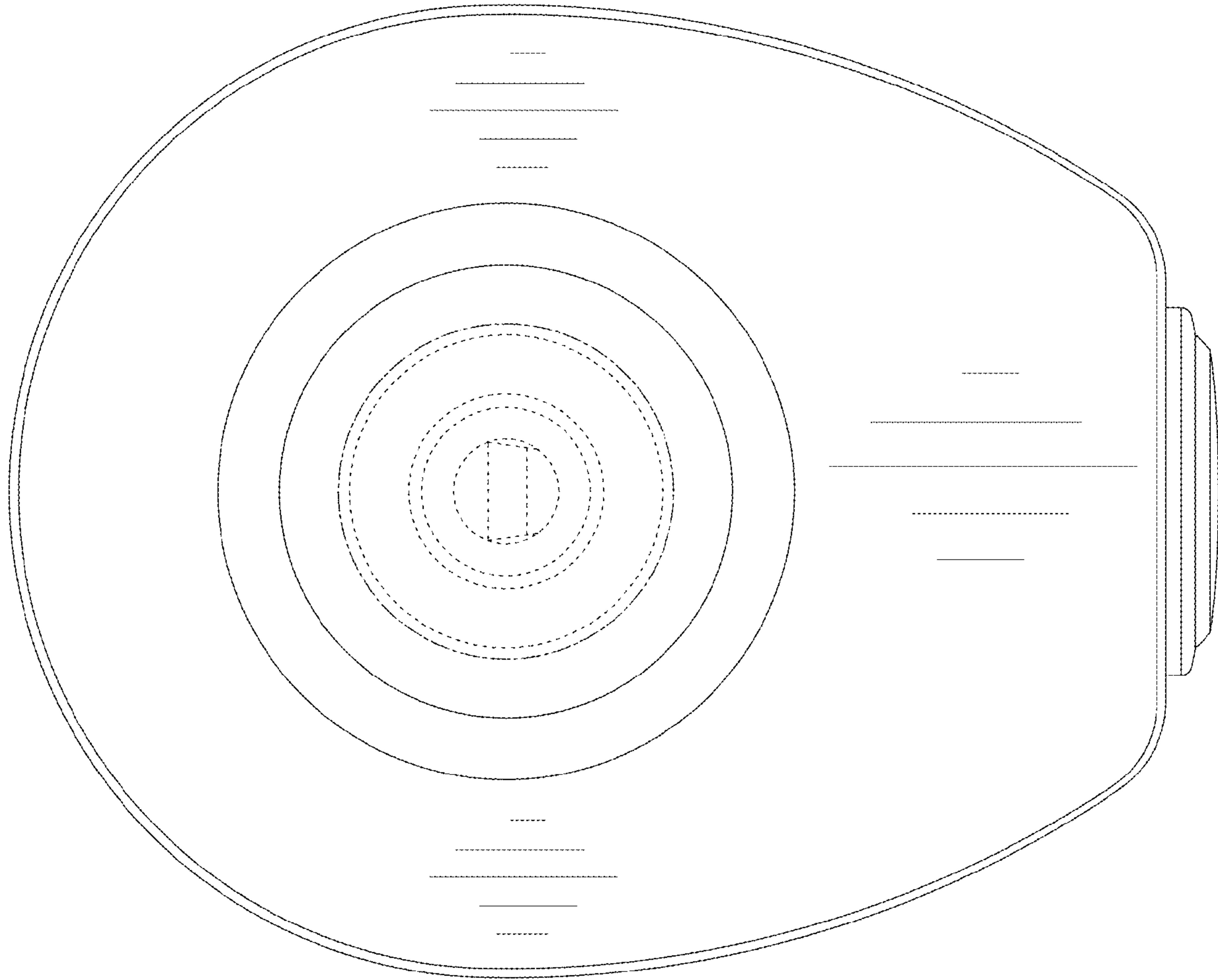


FIG. 15

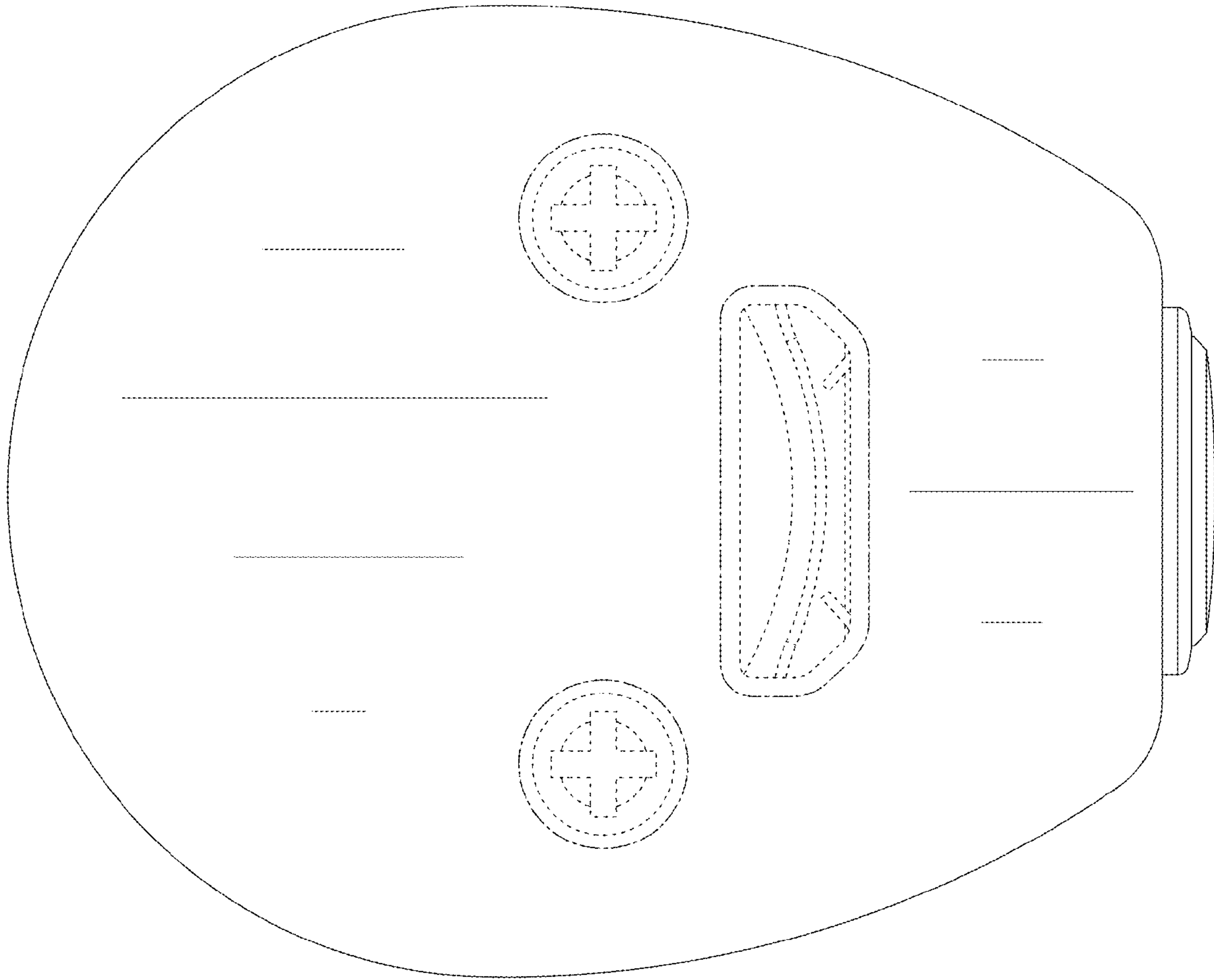


FIG. 16