



US00D943153S

(12) **United States Design Patent** (10) **Patent No.:** **US D943,153 S**
Larsen (45) **Date of Patent:** **** Feb. 8, 2022**

(54) **SMOKING PIPE**

(71) Applicant: **Vespyr Inc.**, Edmonton (CA)

(72) Inventor: **Cory Larsen**, Edmonton (CA)

(73) Assignee: **Vestrata Goods Inc.**, Edmonton (CA)

(**) Term: **15 Years**

(21) Appl. No.: **29/699,367**

(22) Filed: **Jul. 24, 2019**

(30) **Foreign Application Priority Data**

Jan. 24, 2019 (CA) CA 185871

(51) **LOC (13) Cl.** **27-02**

(52) **U.S. Cl.**
USPC **D27/162**

(58) **Field of Classification Search**
USPC D27/162, 100, 101, 163, 165, 167-169,
D27/172, 174-176, 180, 182, 190;
D24/110, 110.5

CPC A24F 47/002; A24F 47/006; A24F 47/008;
A24F 1/00; A24F 1/22; A24F 5/00; A24F
5/10; A24F 9/16; A24F 9/14; A61M
15/00; A61M 15/06

See application file for complete search history.

(56) **References Cited**

U.S. PATENT DOCUMENTS

4,213,469 A 7/1980 Ramsay
4,241,741 A 12/1980 Cabados et al.
5,464,026 A 11/1995 Gardner et al.
6,196,232 B1 3/2001 Chkadua

(Continued)

FOREIGN PATENT DOCUMENTS

CN 106418690 A 2/2017
CN 106998807 A 8/2017

(Continued)

OTHER PUBLICATIONS

Amazon, ResOlution Caps Universal Caps for Cleaning, Storage and Odor Proofing Glass Water Pipes/Rigs, accessed Jan. 29, 2019, 7 pages, URL=https://www.amazon.com/ResOlution-Universal-Cleaning-Storage-Pro.

(Continued)

Primary Examiner — Rebecca Tsehaye

(74) *Attorney, Agent, or Firm* — Robert A. Nissen

(57) **CLAIM**

The ornamental design for a smoking pipe, as shown and described.

DESCRIPTION

FIG. 1 is a rear perspective view of the smoking pipe in accordance with the present design, in an open position; FIG. 2 is a front perspective view of the smoking pipe shown in FIG. 1;

FIG. 3 is a top plan view of the smoking pipe shown in FIG. 1;

FIG. 4 is a bottom plan view of the smoking pipe shown in FIG. 1;

FIG. 5 is a side elevation view of the smoking pipe shown in FIG. 1;

FIG. 6 is a rear end view of the smoking pipe shown in FIG. 1;

FIG. 7 is a rear perspective view of the smoking pipe in accordance with the present design, in a closed position;

FIG. 8 is a front perspective view of the smoking pipe shown in FIG. 7;

FIG. 9 is a top plan view of the smoking pipe shown in FIG. 7;

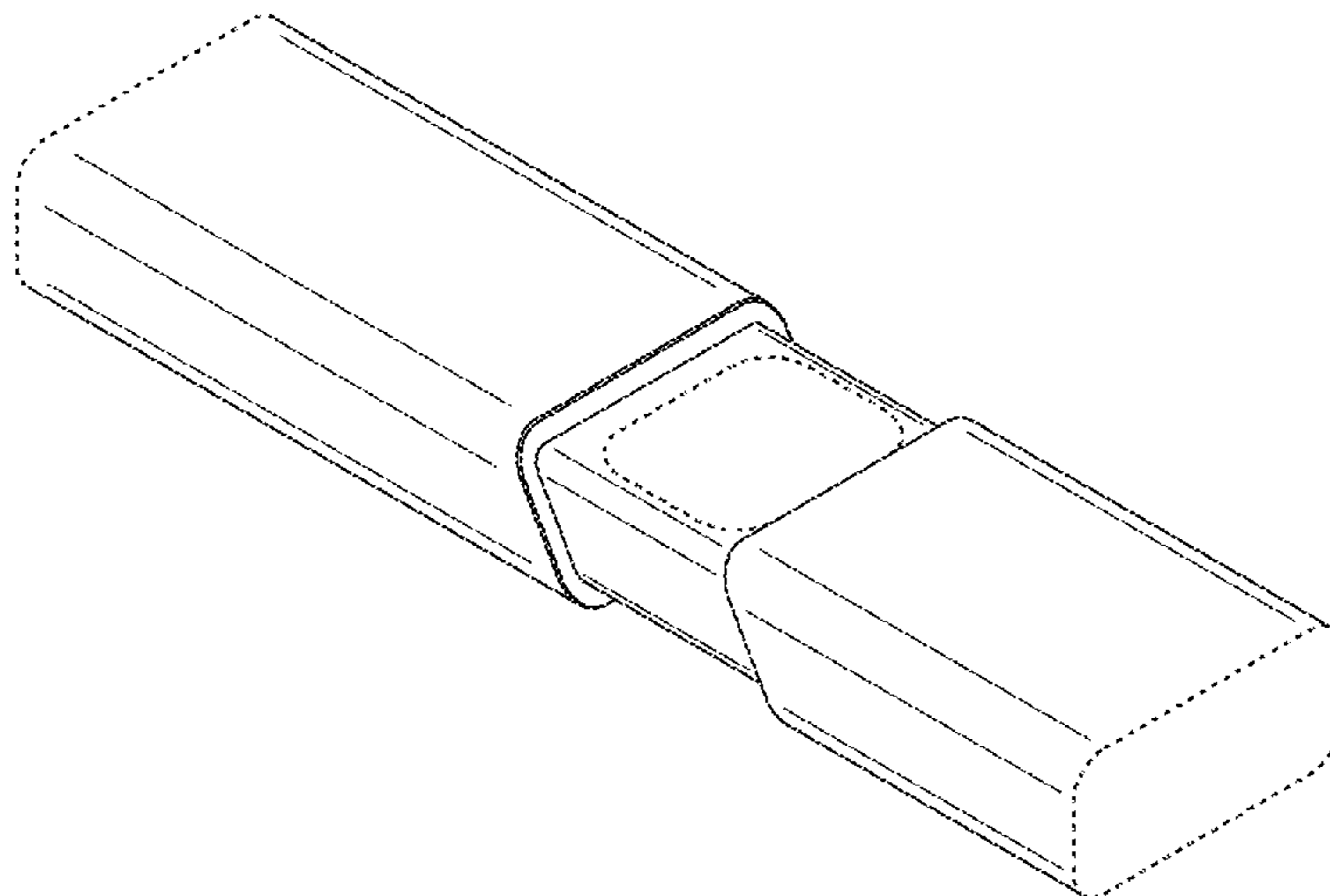
FIG. 10 is a bottom plan view of the smoking pipe shown in FIG. 7;

FIG. 11 is a side elevation view of the smoking pipe shown in FIG. 7; and,

FIG. 12 is a rear end view of the smoking pipe shown in FIG. 7.

The broken lines shown in the drawings depict portions of the smoking pipe that form no part of the claimed design.

1 Claim, 4 Drawing Sheets



(56)

References Cited

U.S. PATENT DOCUMENTS

7,624,734 B2 12/2009 Balch et al.
 7,658,197 B1 2/2010 Villagomez
 8,955,521 B1 2/2015 Hanson
 9,332,787 B2 5/2016 Liu
 D825,102 S * 8/2018 Bowen D27/167
 D827,649 S * 9/2018 Shim D14/435.1
 D842,536 S * 3/2019 Bowen D27/167
 D849,996 S * 5/2019 Duque D27/194
 D858,868 S * 9/2019 Bowen D27/162
 D870,368 S * 12/2019 Leon Duque D27/162
 D870,961 S * 12/2019 Levinson D27/162
 D877,971 S * 3/2020 Bowen D27/101
 D887,632 S * 6/2020 Duque D27/167
 D893,096 S * 8/2020 Leon Duque D27/194
 D894,479 S * 8/2020 Cheung D27/162
 D895,197 S * 9/2020 Cheung D27/101
 2006/0086364 A1 4/2006 Liu
 2010/0126516 A1 5/2010 Yomtov et al.
 2015/0173420 A1 6/2015 Shi
 2016/0324211 A1 11/2016 Yankelevich
 2017/0055571 A1 3/2017 Reyes et al.
 2017/0086507 A1 3/2017 Rado
 2017/0162979 A1 6/2017 Liu
 2017/0333651 A1 11/2017 Qiu
 2018/0077967 A1 3/2018 Hatton et al.
 2018/0116291 A1 5/2018 Monsees et al.

FOREIGN PATENT DOCUMENTS

DE 202011050108 12/2011
 EP 0327655 A1 8/1989
 EP 3167728 A1 5/2017
 GB 24280 A 10/1913
 GB 2538424 11/2016
 GB 2540259 1/2017
 KR 20160026464 A 3/2016
 KR 20160085032 7/2016
 KR 20160002766 8/2016
 KR 20160003338 U 9/2016
 RU 2015105675 A 8/2015

WO 2015069391 5/2015
 WO 2015069914 A1 5/2015
 WO 2016193705 12/2016
 WO 2017079453 A1 5/2017
 WO 2018048813 A1 3/2018

OTHER PUBLICATIONS

Wikipedia, Bong, available as early as Dec. 2010, 4 pages, URL=<https://en.wikipedia.org/wiki/Bong>.
 Genius Pipe, accessed Aug. 3, 2018, 8 pages, URL=<https://geniuspipe.com>.
 DHGate, Online Cheap Metal Magnetic Pipe Magnetic Metal Pipetinsky Mini Type Foldable Metal Magnet Cigarette Tobacco Smoking Pipe, accessed Aug. 3, 2018, 6 pages, URL=<https://www.dhgate.com/product/metal-magnetic-pipe-magnetic-metal-pipetinsky/265792849.html>.
 Wickie Pipes, Steven Mattern: Storage Wood Pipe, accessed Aug. 3, 2018, 4 pages, https://www.wickiepipes.com/products/steven-mattern-storage-pipe?_store=kunstore&nosto=productpage-nosto-1.
 Etsy, Snap Pipe Long Leaf Pine, accessed Aug. 3, 2018, 4 pages, https://www.etsy.com/ca/listing/57154023/snap-pipe-long-leaf-pine?show_sold_out_detail=1.
 Moksha Bong, 6 Inch Metal Pocket Bong White Color—Stealth Pipe, available as early as Mar. 2019, 7 pages, https://www.mokshabongs.com/?route=product%2Fsearch&filter_name=metal%20Bong.
 Dutch Headshop, Budbomb, available as early as Mar. 2019, 4 pages, <https://www.dutch-headshop.eu/budbomb>.
 shopclues.com, RawBong Test Tube Design Portable Pocket Bong Online, available as early as Mar. 2019, 3 pages.
 Smoke Cartel, How Does a Bong Work? A Guide to the Water Pipe, available as early as Mar. 2019, 10 pages.
 Zativo, Metal Bong Travel Size, available as early as Mar. 2019, 2 pages.
 Amazon, Metier Metal Pocket Bong (3 cm x3 cm x15 cm, Golden), available as early as Mar. 2019, 8 pages.
 Grow High, Pocket Collapsible Bong, available as early as Mar. 2019, 2 pages.

* cited by examiner

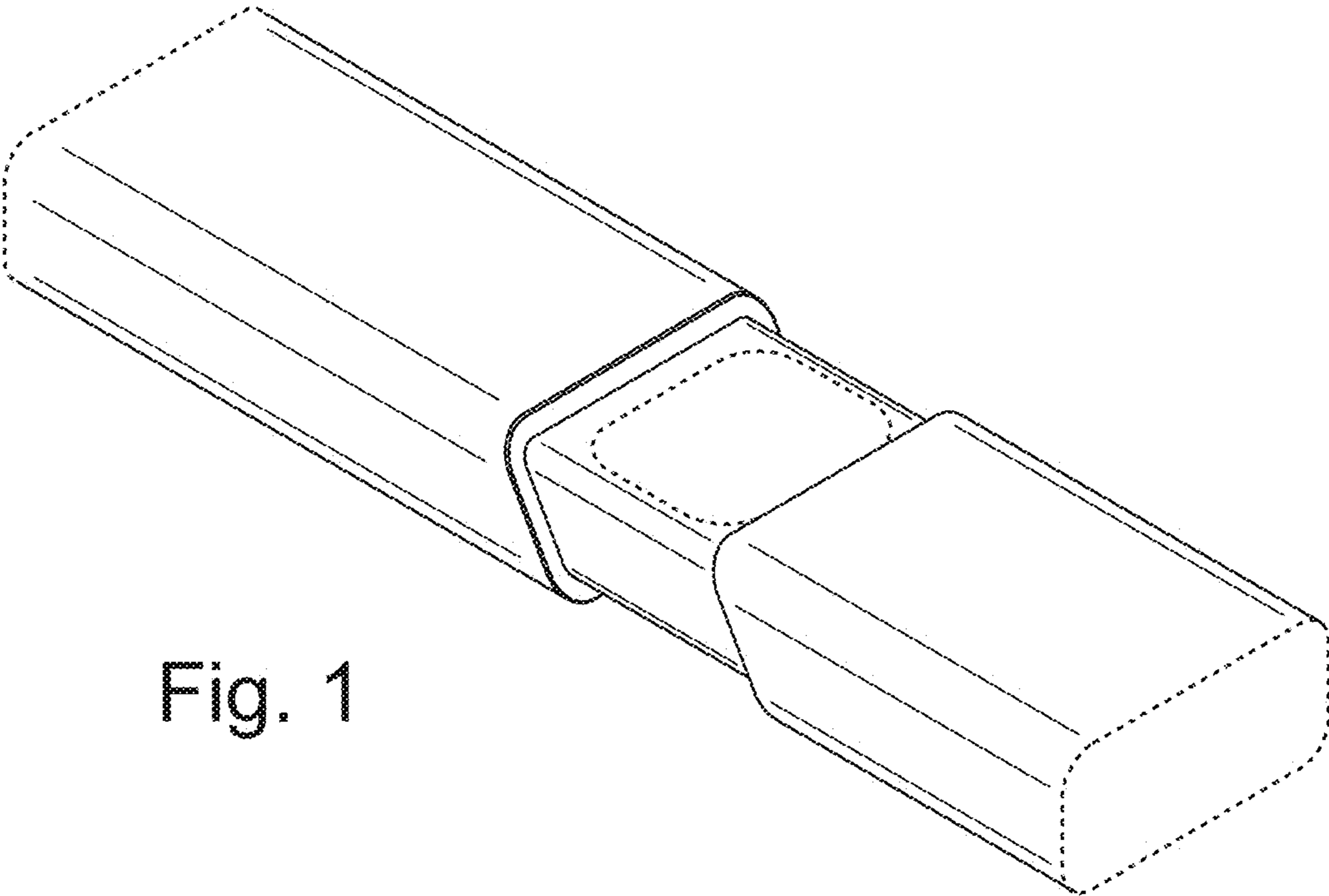


Fig. 1

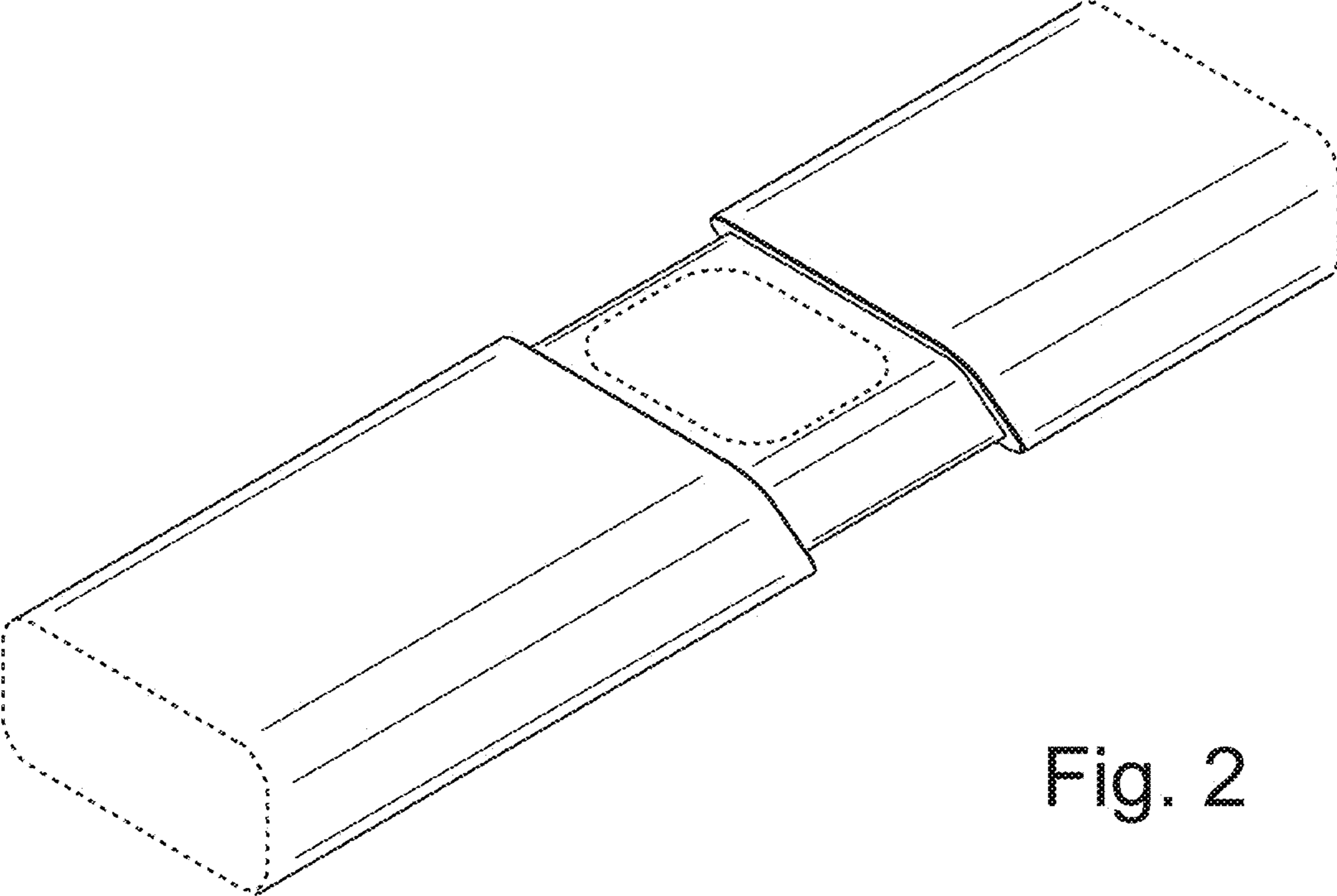


Fig. 2

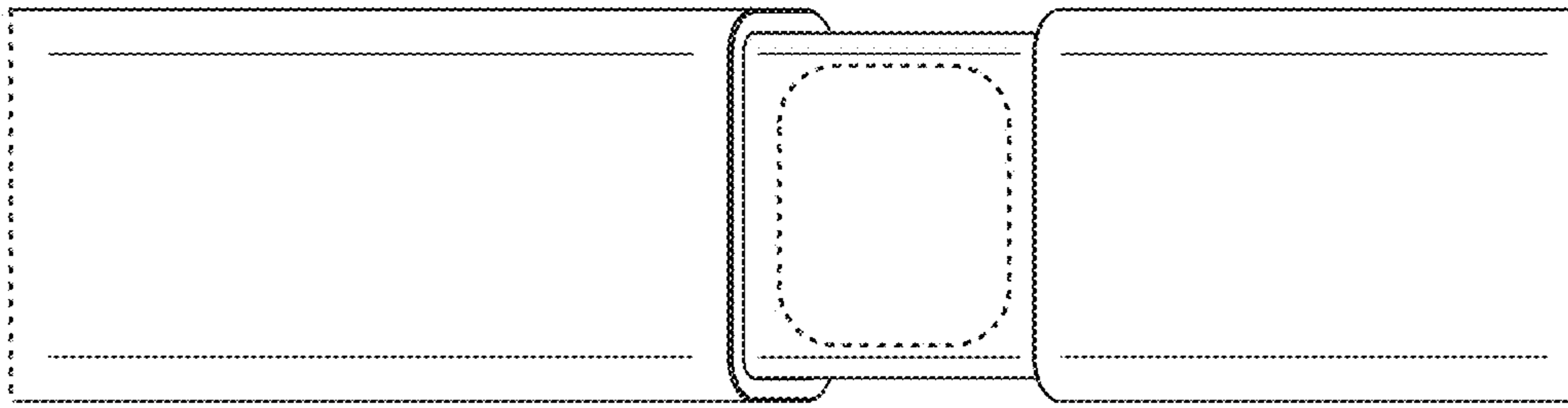


Fig. 3

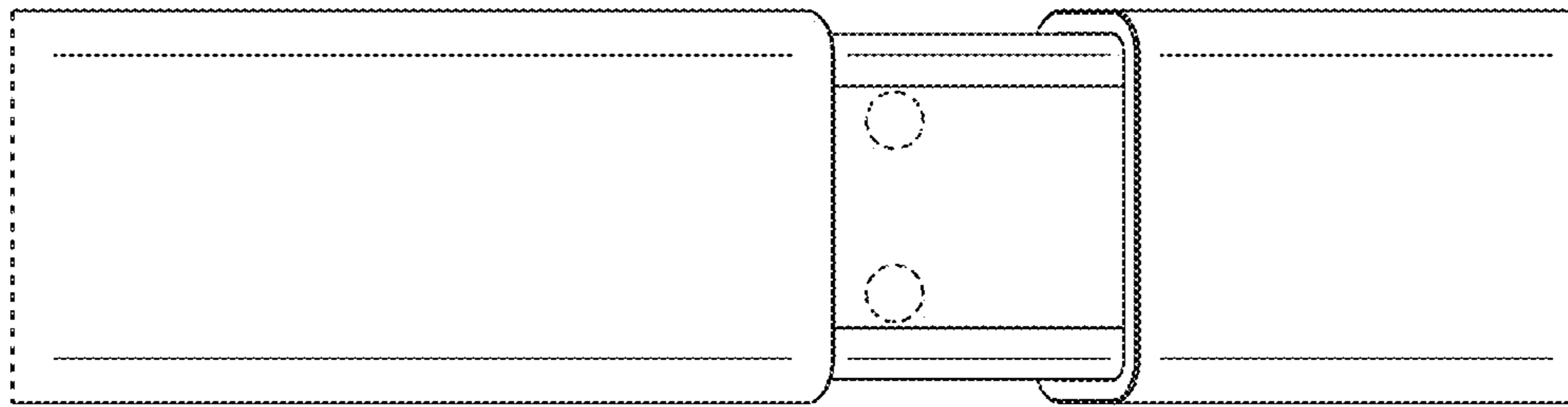


Fig. 4

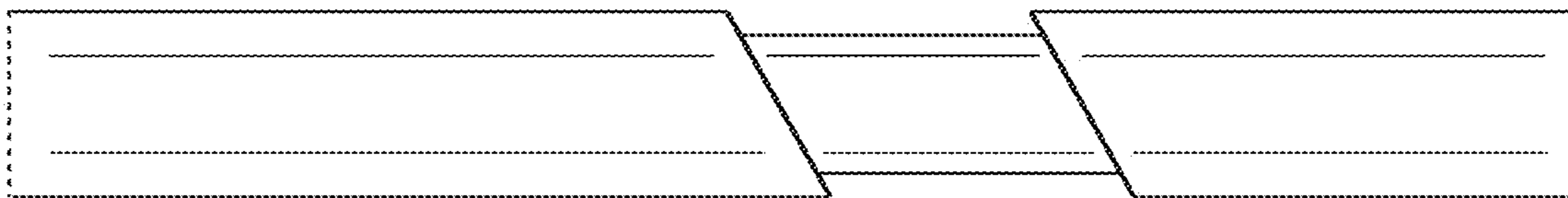


Fig. 5



Fig. 6

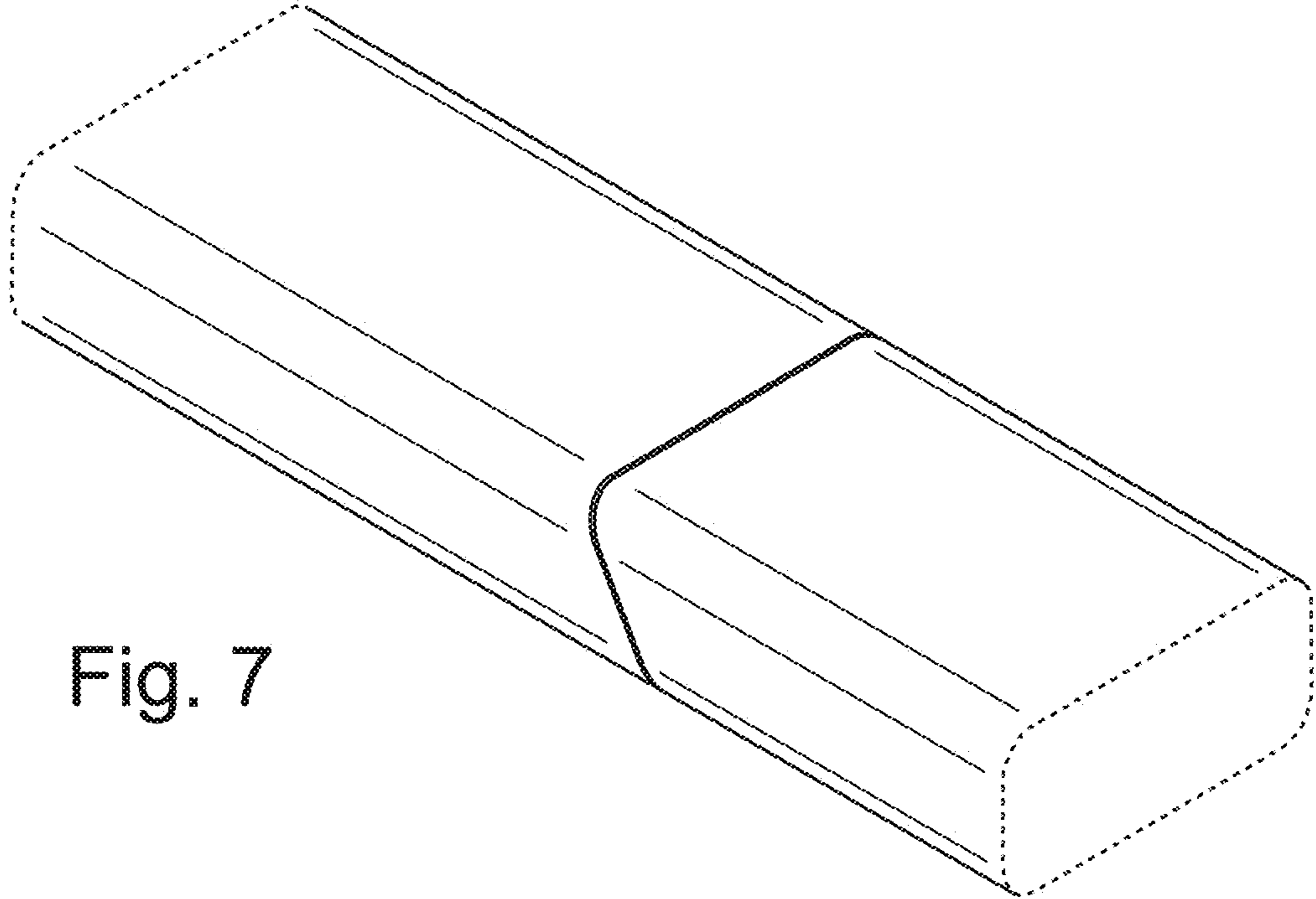


Fig. 7

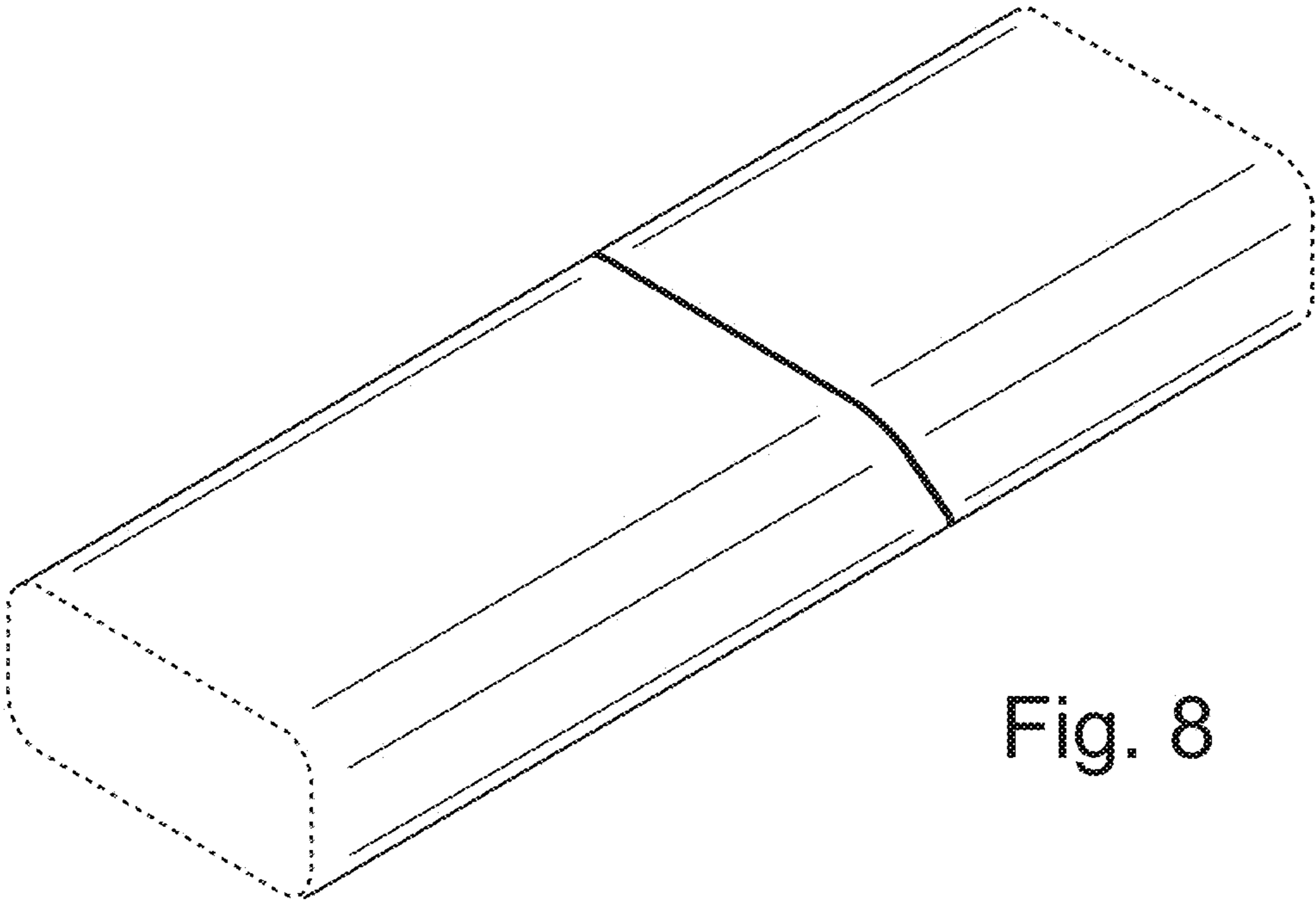


Fig. 8

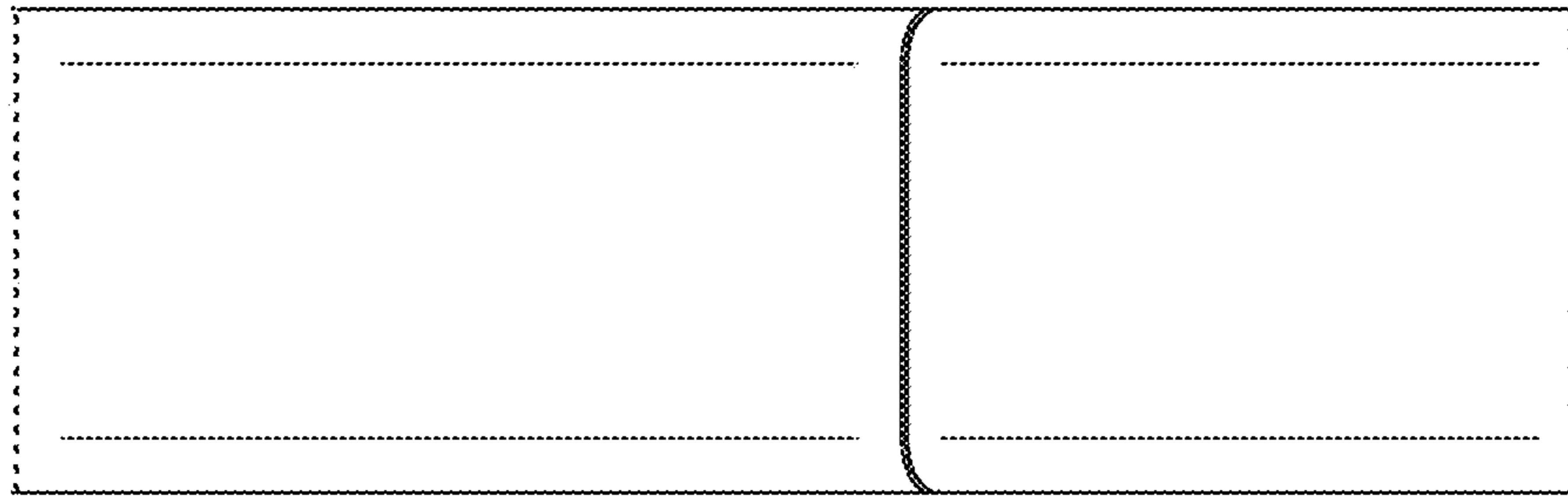


Fig. 9

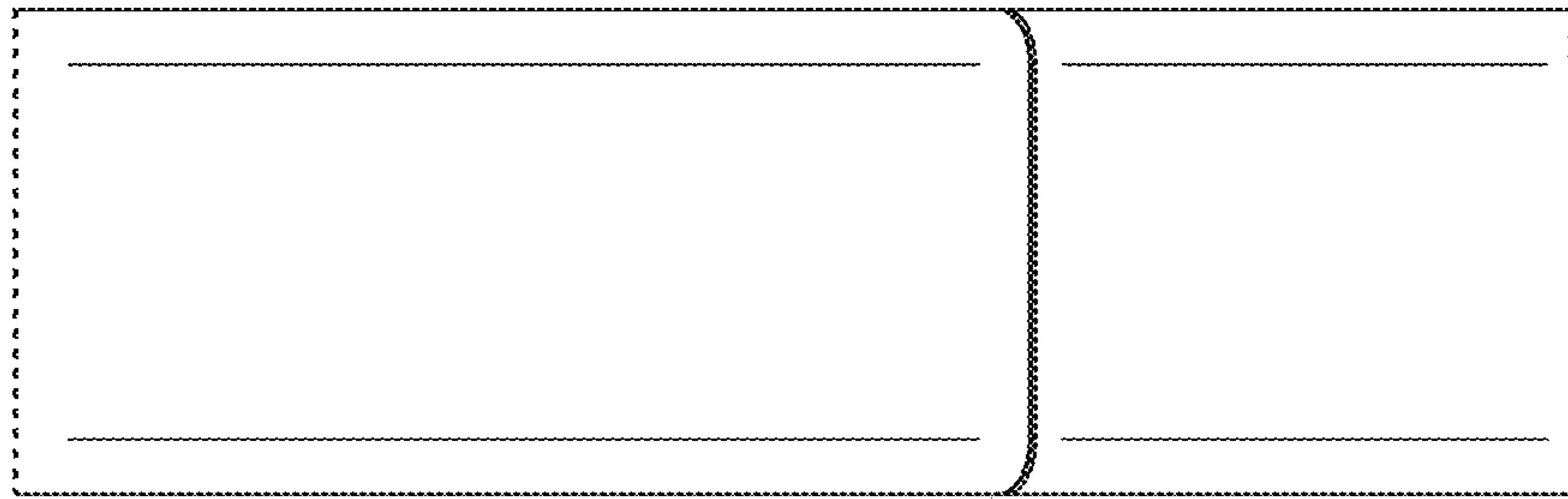


Fig. 10

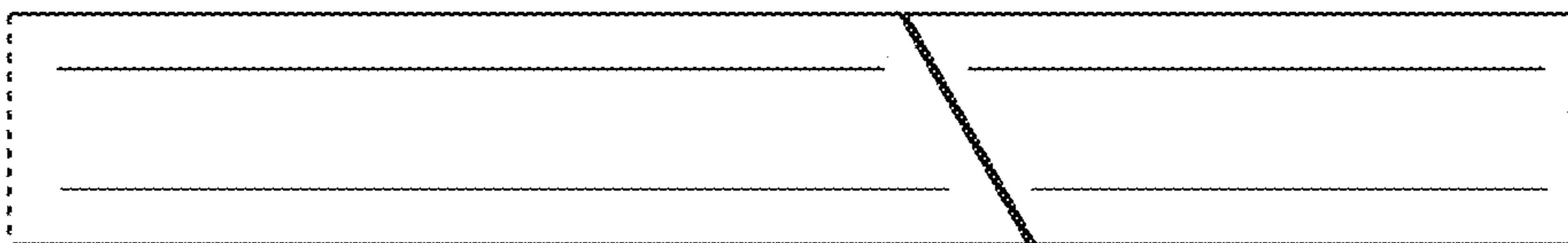


Fig. 11

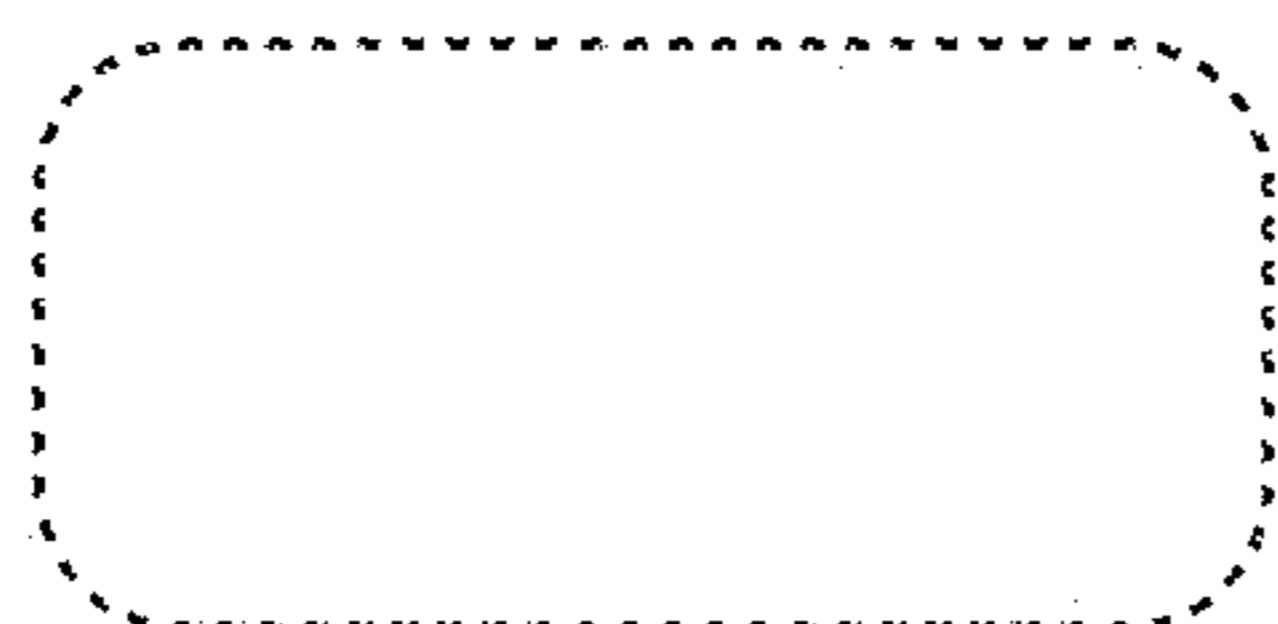


Fig. 12