



US00D943152S

(12) **United States Design Patent**
Habicht et al.

(10) **Patent No.:** **US D943,152 S**
(45) **Date of Patent:** **** Feb. 8, 2022**

- (54) **VAPORIZER**
- (71) Applicant: **SV3, LLC**, Phoenix, AZ (US)
- (72) Inventors: **Geoff Habicht**, Phoenix, AZ (US);
Amir Hakak, Phoenix, AZ (US)
- (73) Assignee: **SV3, LLC**, Phoenix, AZ (US)
- (**) Term: **15 Years**
- (21) Appl. No.: **29/695,355**
- (22) Filed: **Jun. 18, 2019**
- (51) **LOC (13) Cl.** **27-02**
- (52) **U.S. Cl.**
USPC **D27/162**
- (58) **Field of Classification Search**
USPC D27/162, 100, 101, 163–165, 172, 174,
D27/183, 185–194; D24/110, 110.5
CPC A24F 47/002; A24F 47/006; A24F 47/008;
A61M 15/00; A61M 15/06
See application file for complete search history.

D834,746 S	*	11/2018	Liu	D27/162
D845,229 S	*	4/2019	Chen	D13/103
D860,517 S	*	9/2019	Qiu	D27/101
D861,594 S	*	10/2019	Lai	D13/103
D863,673 S	*	10/2019	Lai	D27/162
D870,034 S	*	12/2019	Lai	D13/103
D872,011 S	*	1/2020	Rao	D13/107
D881,459 S	*	4/2020	Ouyang	D27/162
D901,072 S	*	11/2020	Goradesky	A24F 13/12 D27/189
D902,475 S	*	11/2020	Liu	D27/162

* cited by examiner

Primary Examiner — Marissa J Cash
Assistant Examiner — Rebecca Tsehaye

(74) *Attorney, Agent, or Firm* — Snell & Wilmer L.L.P.

(57) **CLAIM**

The ornamental design for the vaporizer, as shown and described.

DESCRIPTION

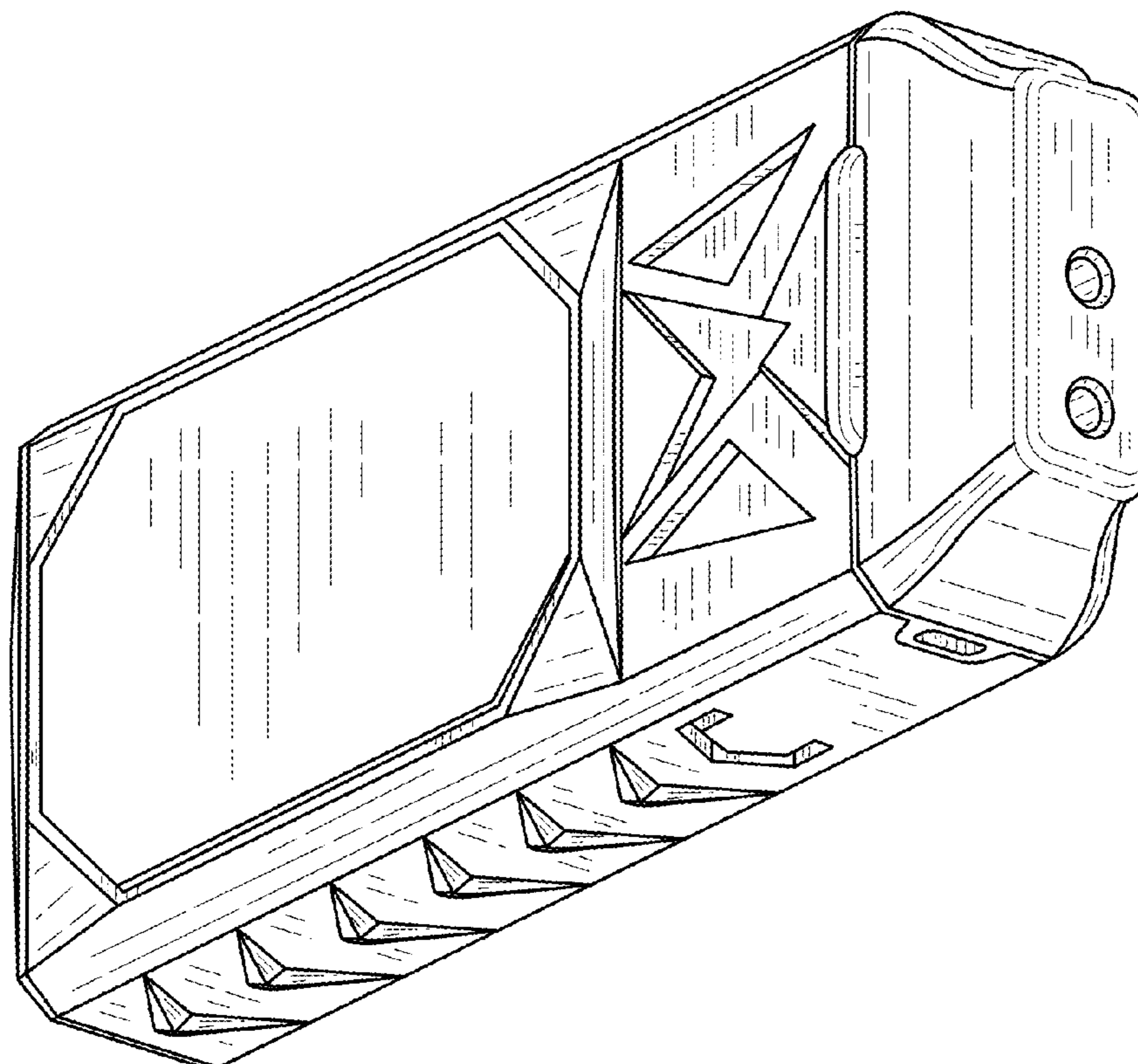
FIG. 1 is a front plan view of a vaporizer showing my new design;
FIG. 2 is a back plan view of the vaporizer of FIG. 1;
FIG. 3 is a side plan view of the vaporizer of FIG. 1;
FIG. 4 is a side plan view of the vaporizer of FIG. 1;
FIG. 5 is a top plan view of the vaporizer of FIG. 1;
FIG. 6 is a bottom plan view of the vaporizer of FIG. 1; and,
FIG. 7 is a perspective view of the vaporizer of FIG. 1.
The broken lines in the drawings depict portions of the vaporizer that form no part of the claimed design.

1 Claim, 7 Drawing Sheets

(56) **References Cited**

U.S. PATENT DOCUMENTS

D742,310 S	*	11/2015	Yen	D13/108
D748,325 S	*	1/2016	Leidel	D27/163
D770,678 S	*	11/2016	Shin	D27/163
D772,477 S	*	11/2016	Shin	D27/163
D808,073 S	*	1/2018	Leidel	D27/162
D828,953 S	*	9/2018	Chen	D27/167



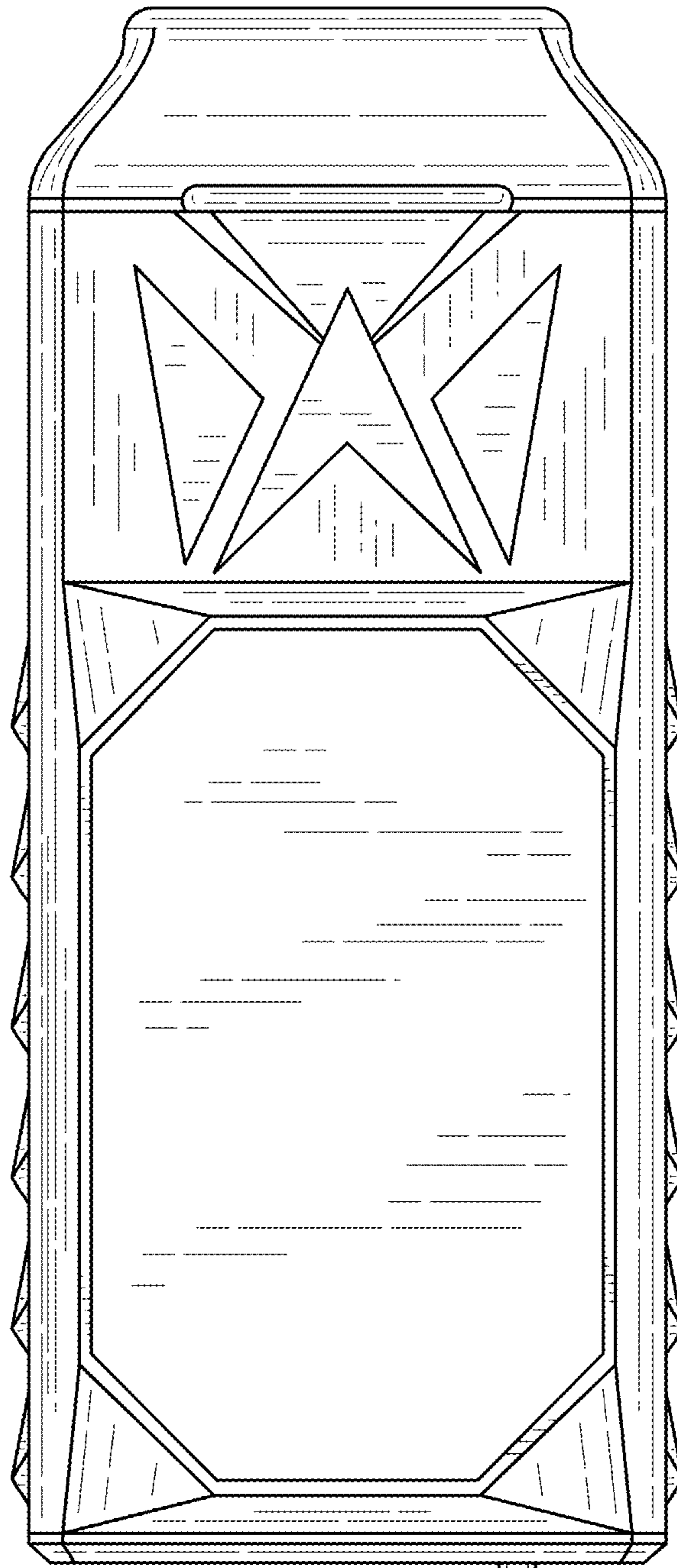


FIG.1

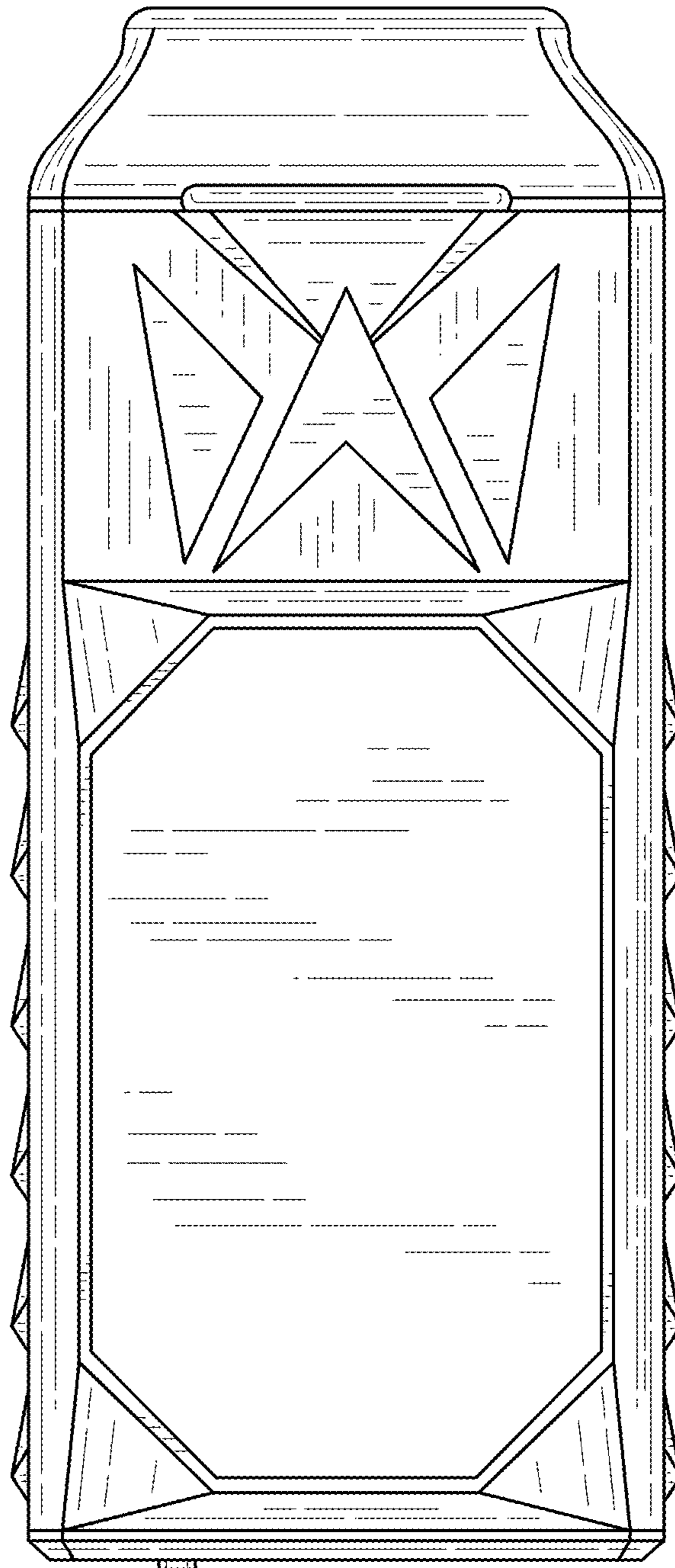


FIG.2

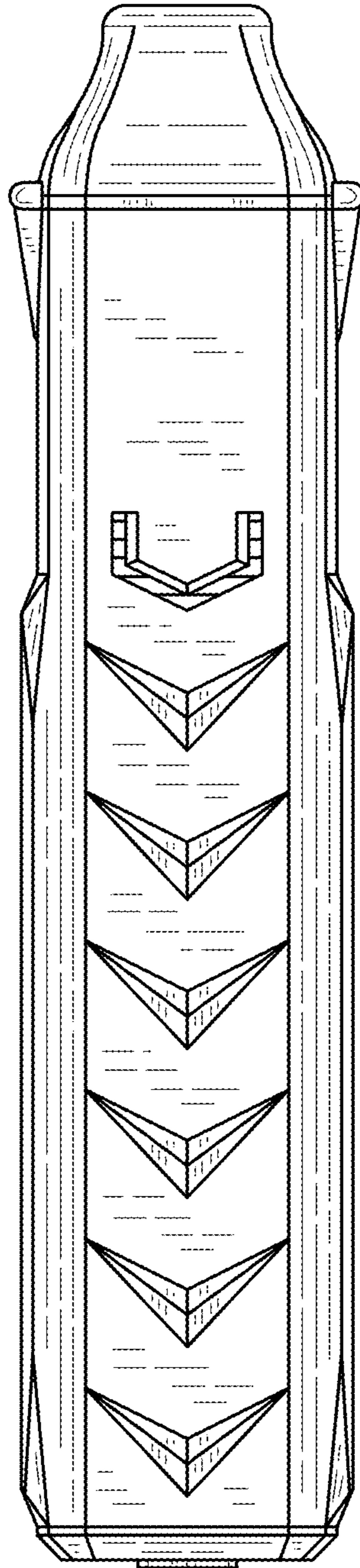


FIG.3

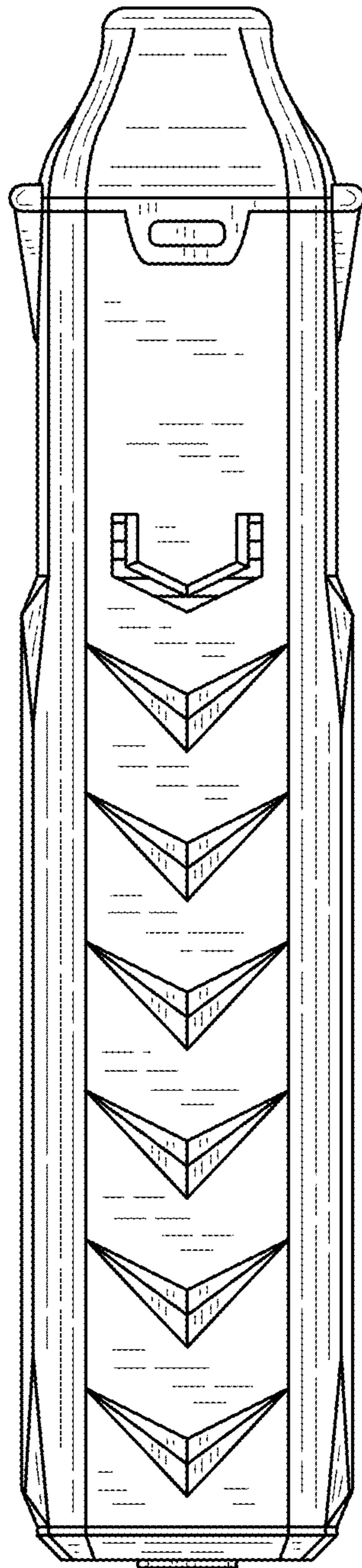


FIG. 4

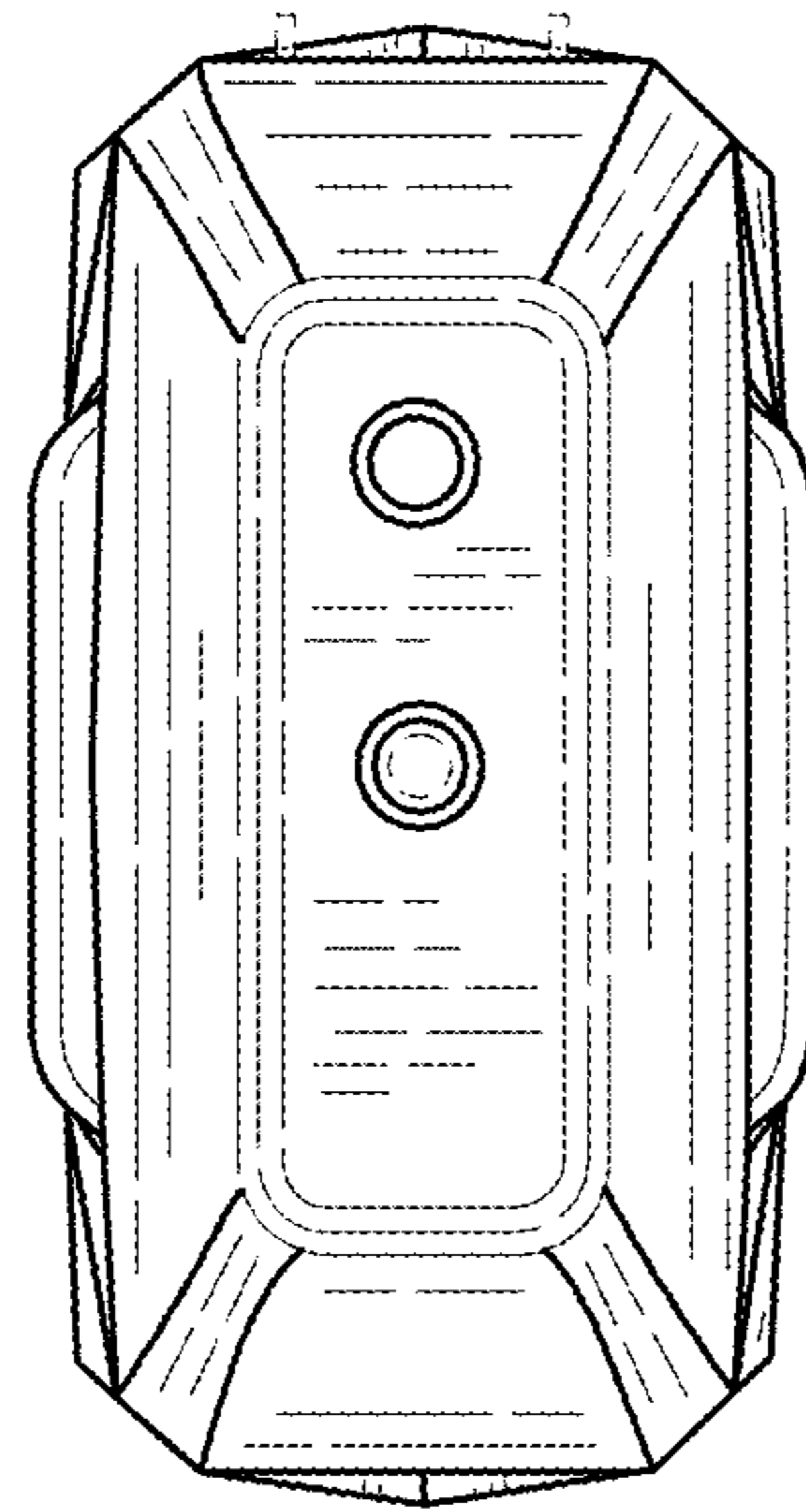


FIG.5

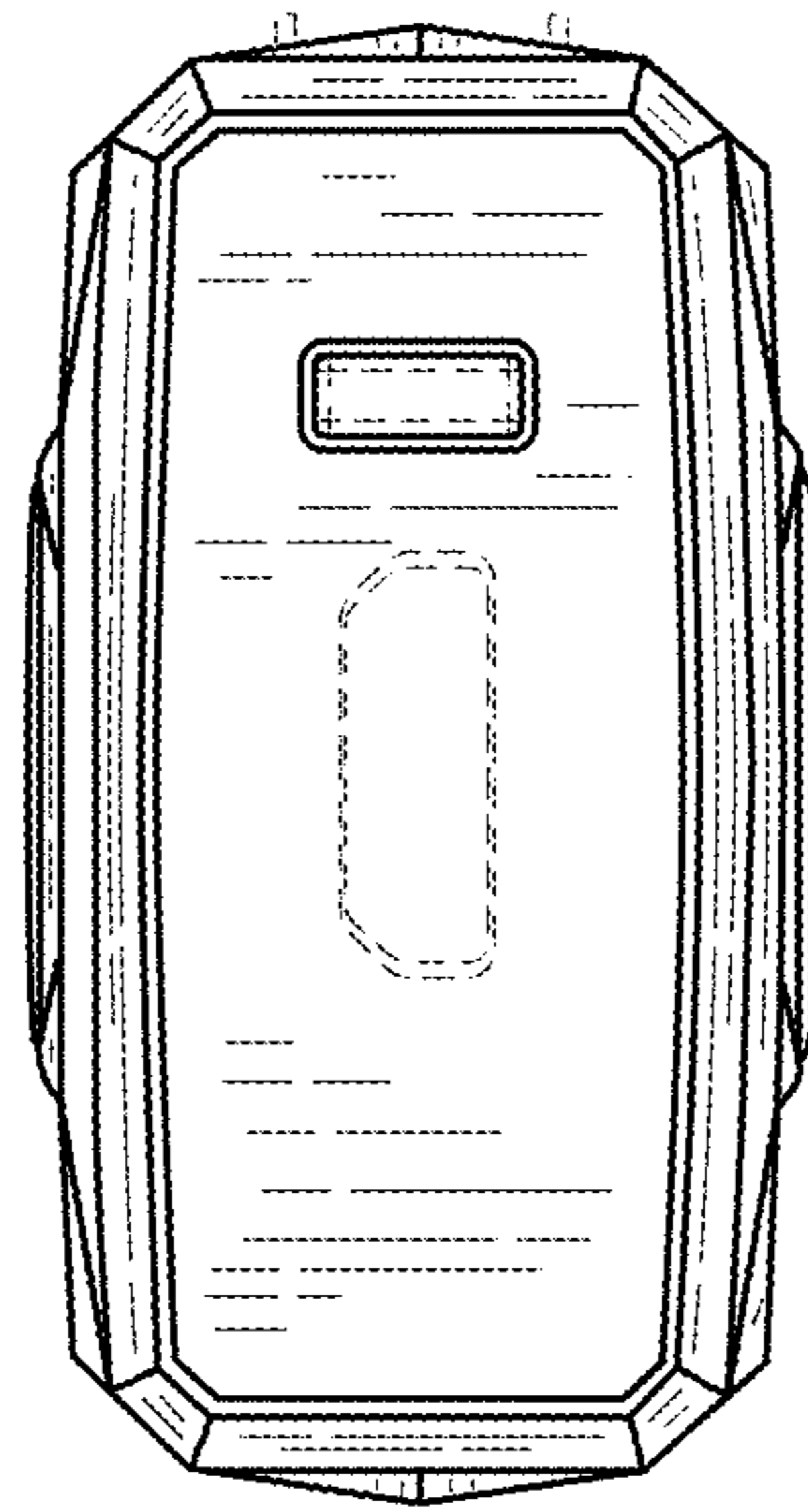


FIG.6

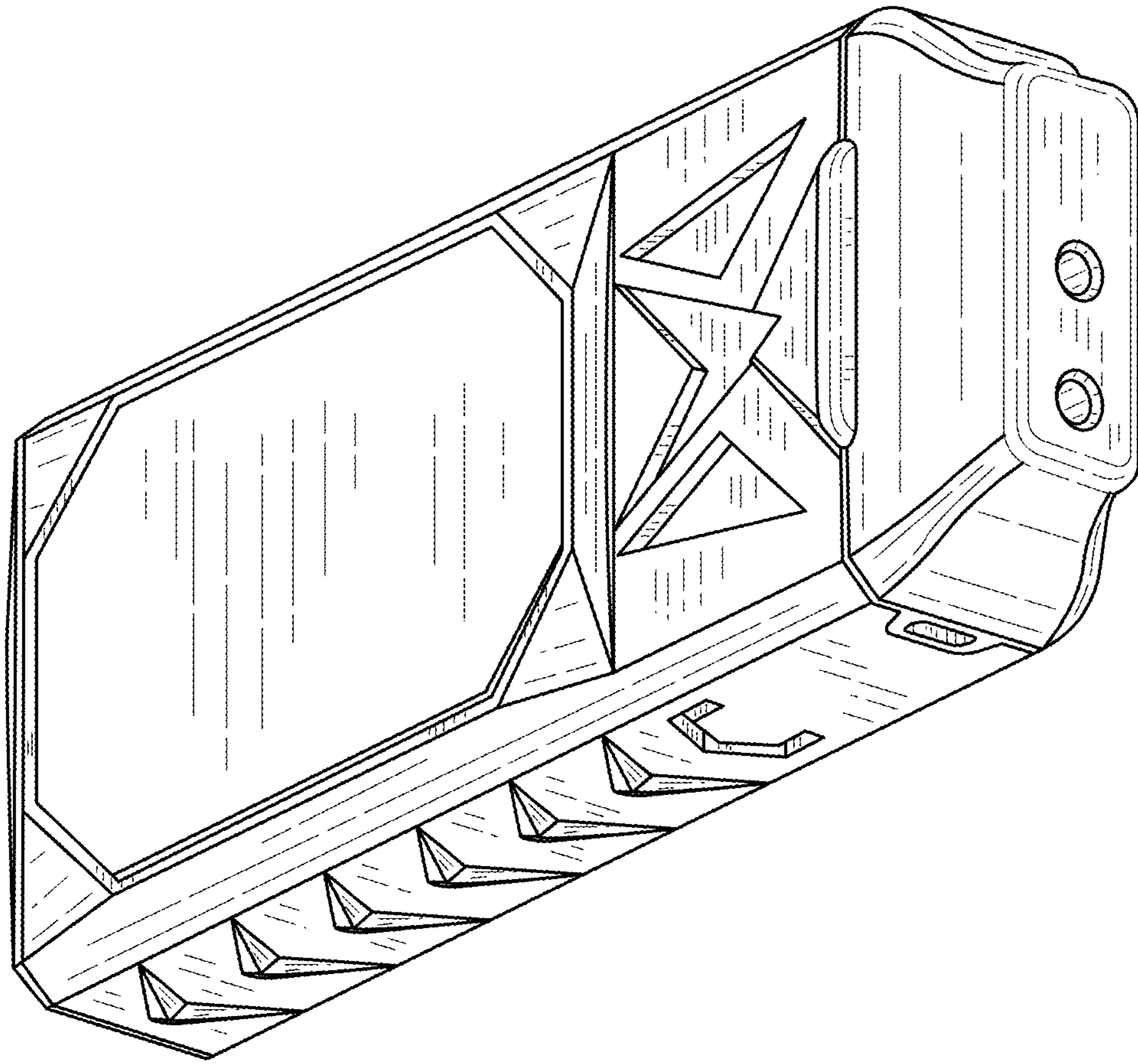


FIG.7