



US00D943145S

(12) **United States Design Patent** (10) **Patent No.:** **US D943,145 S**
Naddour (45) **Date of Patent:** **** Feb. 8, 2022**

(54) **HOOKAH STEM ASSEMBLY**
(71) Applicant: **John Naddour**, Tustin, CA (US)
(72) Inventor: **John Naddour**, Tustin, CA (US)
(**) Term: **15 Years**
(21) Appl. No.: **29/682,159**
(22) Filed: **Mar. 1, 2019**
(51) **LOC (13) Cl.** **27-02**
(52) **U.S. Cl.**
USPC **D27/162**
(58) **Field of Classification Search**
USPC D27/162, 164, 165, 166, 167, 169, 194;
D23/360-363; 131/225, 227, 330, 173,
131/191, 192, 200, 329
CPC A24F 1/30; A24F 1/02; A24F 1/00; A24F
47/008; A24F 47/002; A61M 11/00
See application file for complete search history.

(56) **References Cited**
U.S. PATENT DOCUMENTS
D547,489 S * 7/2007 Kassir D27/162
D547,902 S * 7/2007 Kassir D27/162
D554,797 S * 11/2007 Kassir D27/162
D561,388 S * 2/2008 Kassir D27/162
D584,853 S * 1/2009 Kassir D27/162
7,690,076 B2 * 4/2010 Tannous A24F 1/30
15/319
D754,392 S * 4/2016 Helou D27/162
D754,914 S * 4/2016 Helou D27/162
(Continued)

OTHER PUBLICATIONS
Hookah Stem Assembly by Shika Genie (Feb. 3, 2019) <https://www.oxidehookah.com/products/shika-genie>.
(Continued)

Primary Examiner — Rebecca Tsehaye

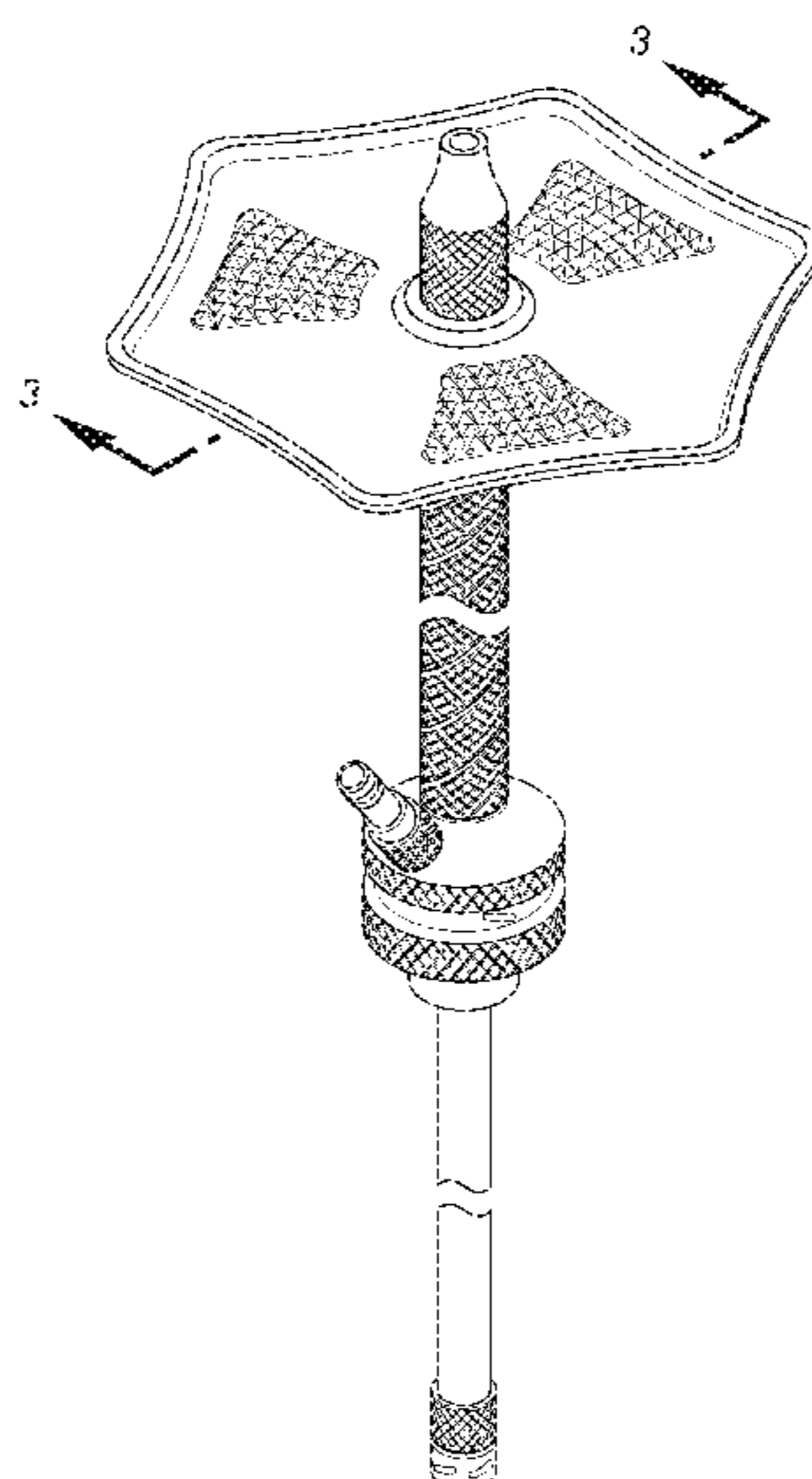
(74) *Attorney, Agent, or Firm* — Rutan & Tucker, LLP;
Hani Z. Sayed

(57) **CLAIM**
The ornamental design for an hookah stem assembly, as shown and described.

DESCRIPTION
FIG. 1—is a top view of the hookah assembly showing my new design;
FIG. 2—is an exploded view;
FIG. 3—is a cross-sectional elevation view thereof taken from cut lines 3-3 of FIG. 1;
FIG. 4—Bottom, back side elevation view of the hookah hose set with component shown removed from the assembly for clarity of disclosure;
FIG. 5—Rear side elevation view removed from the assembly for clarity of disclosure;
FIG. 6—Top plan view removed from the assembly for clarity of disclosure;
FIG. 7—Rear plan view removed from the assembly for clarity of disclosure;
FIG. 8—Top, right side view removed from the assembly for clarity of disclosure;
FIG. 9—Top, left side view removed from the assembly for clarity of disclosure;
FIG. 10—Bottom, left side view removed from the assembly for clarity of disclosure; and,
FIG. 11—Front plan view removed from the assembly for clarity of disclosure.

The broken lines consisting of evenly spaced dash lines in the drawing depict portions of the hookah stem assembly that form no part of the claimed design. The broken lines consisting of short and long dash lines encircling the enlarged detail views are for annotative purposes that form no part of the claimed design.
The hookah stem assembly is shown with a symbolic break in its length. The appearance of any portion of the article between the break lines forms no part of the claimed design.

1 Claim, 5 Drawing Sheets



(56)

References Cited

U.S. PATENT DOCUMENTS

D754,915 S *	4/2016	Helou	D27/162
D755,439 S *	5/2016	Helou	D27/162
D757,355 S *	5/2016	al Arja	D27/162
D757,997 S *	5/2016	Elhalwani	D27/162
D757,998 S *	5/2016	Elhalwani	D27/162
D757,999 S *	5/2016	Elhalwani	D27/162
D758,000 S *	5/2016	Elhalwani	D27/162
D758,001 S *	5/2016	Elhalwani	D27/162
D758,002 S *	5/2016	Elhalwani	D27/162
D773,113 S *	11/2016	Elhalwani	D27/162
D844,231 S *	3/2019	Klimczyk	D27/162
D899,675 S *	10/2020	Masri	D27/162

OTHER PUBLICATIONS

Hookah Stem Assembly by Oxidehookah (Apr. 18, 2020) <https://www.oxidehookah.com/blogs/oxideblog/6-important-hookah-parts-you-need-to-know>.*

* cited by examiner

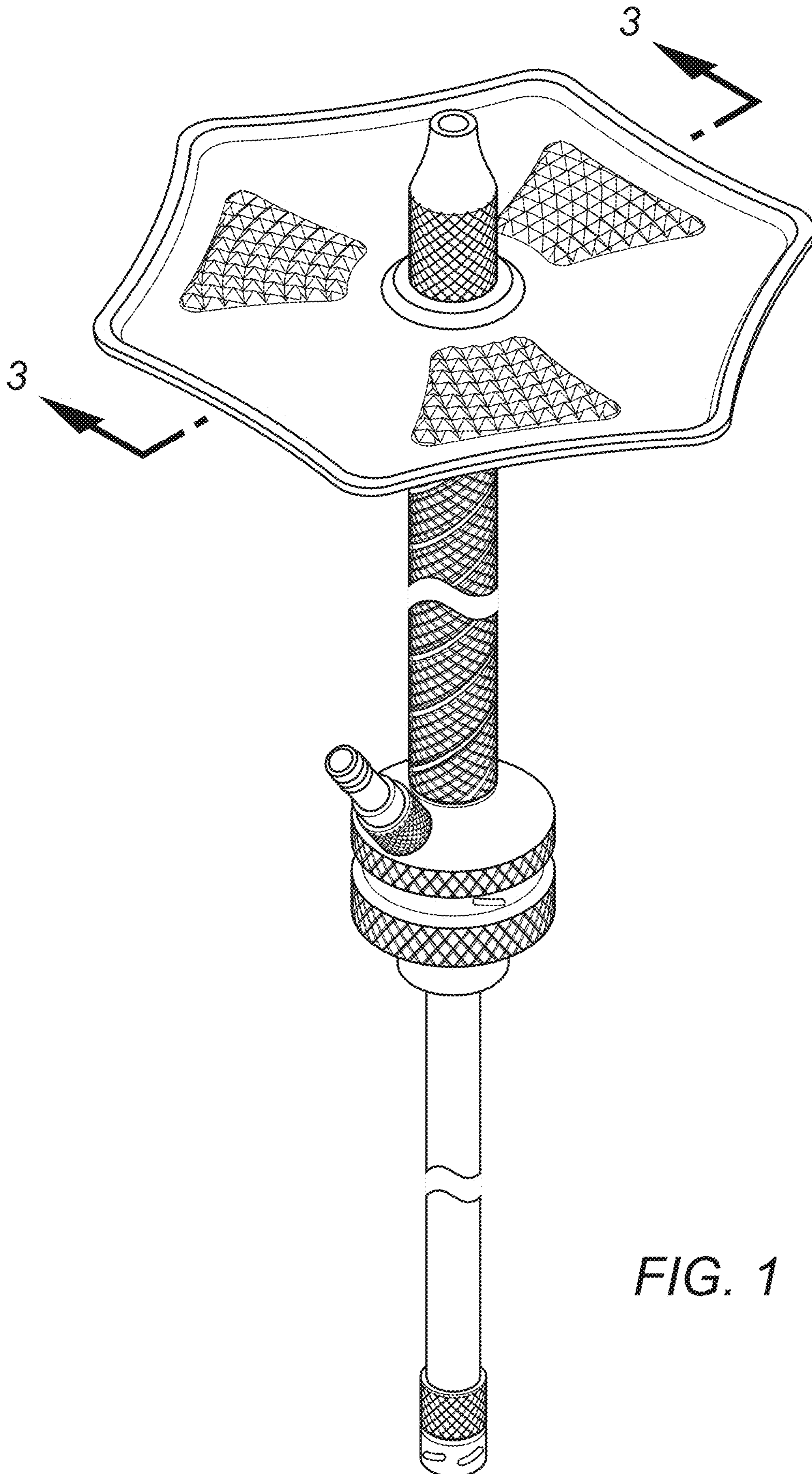
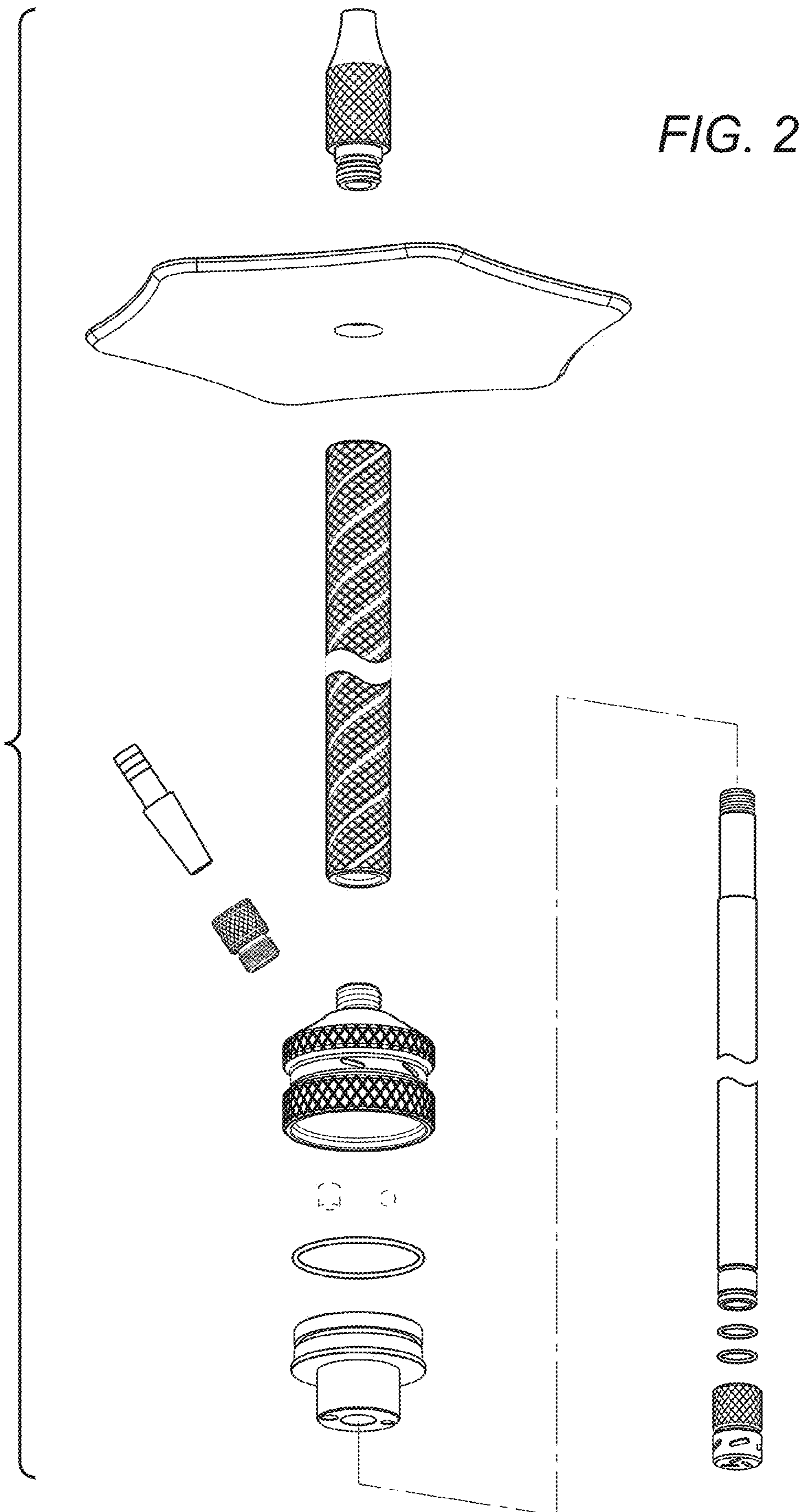


FIG. 1



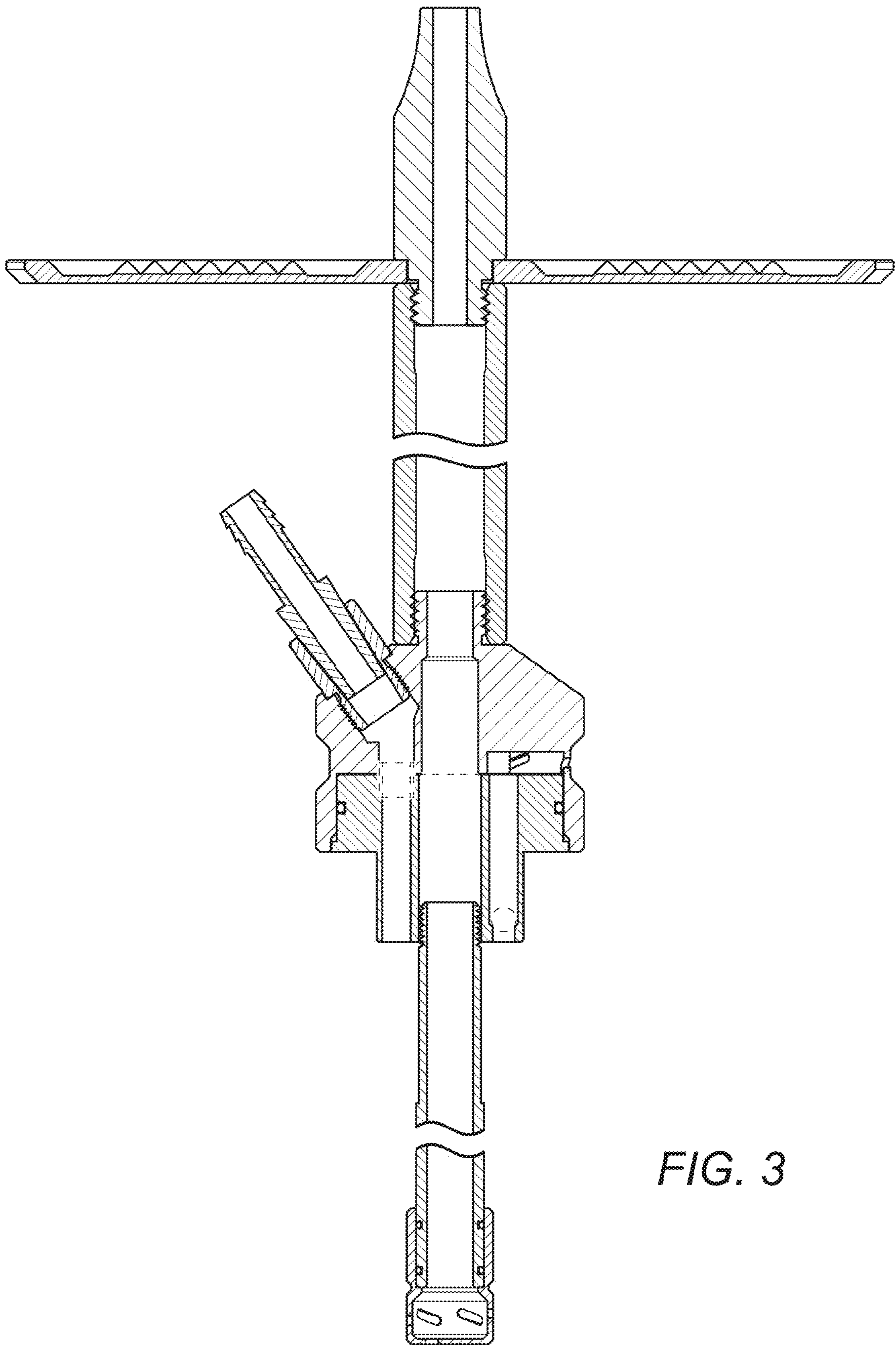


FIG. 3

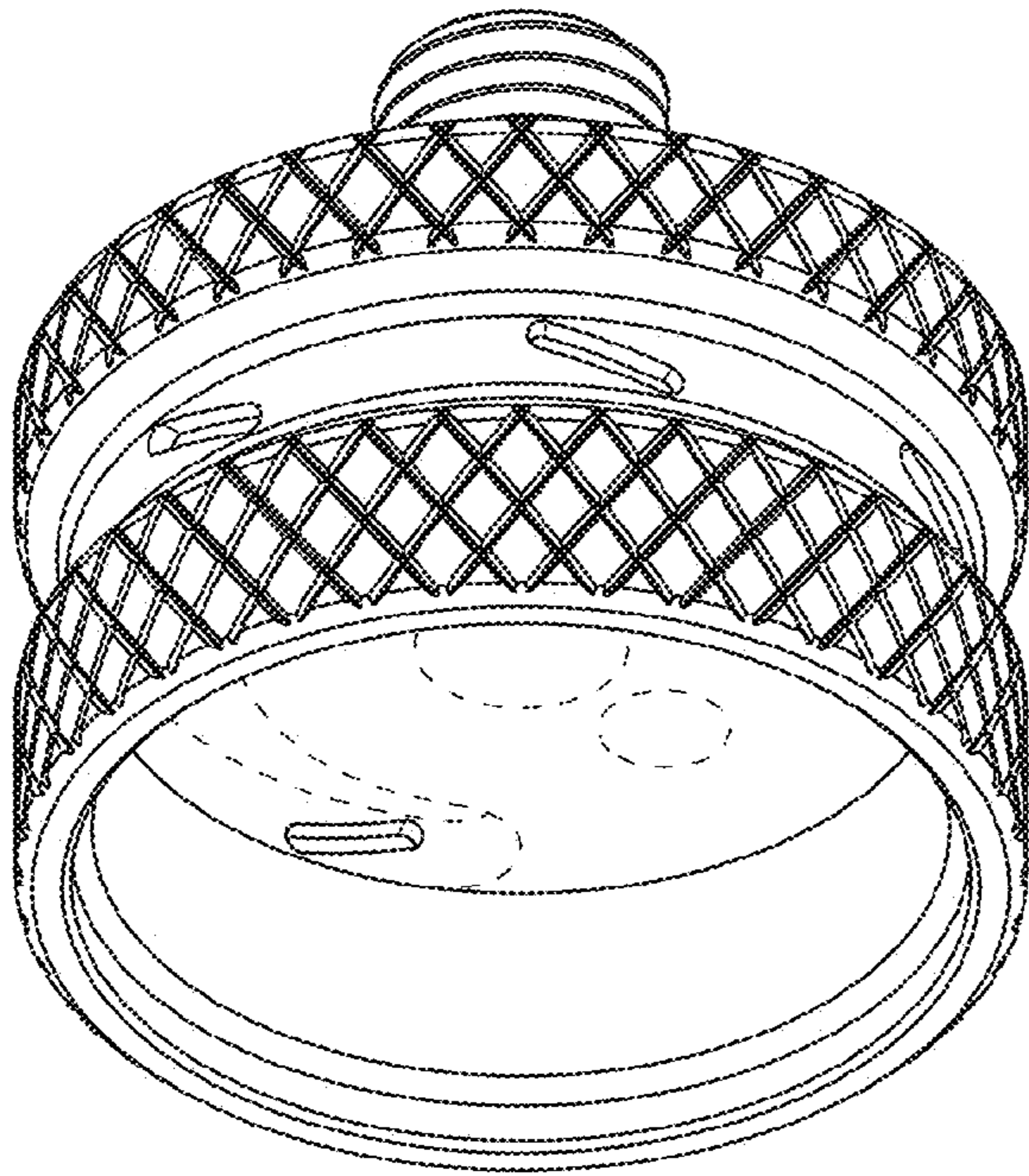


FIG. 4

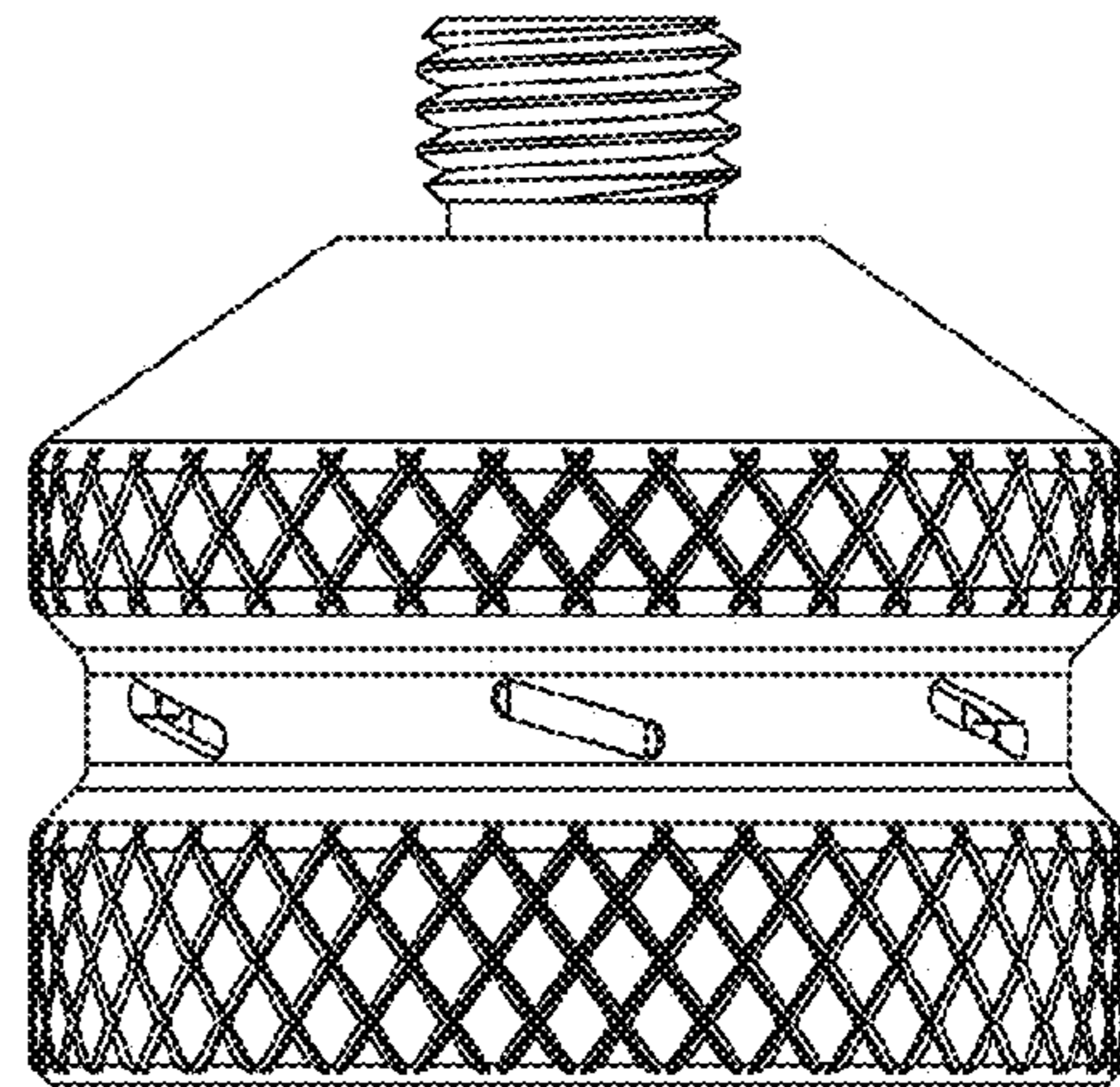


FIG. 5

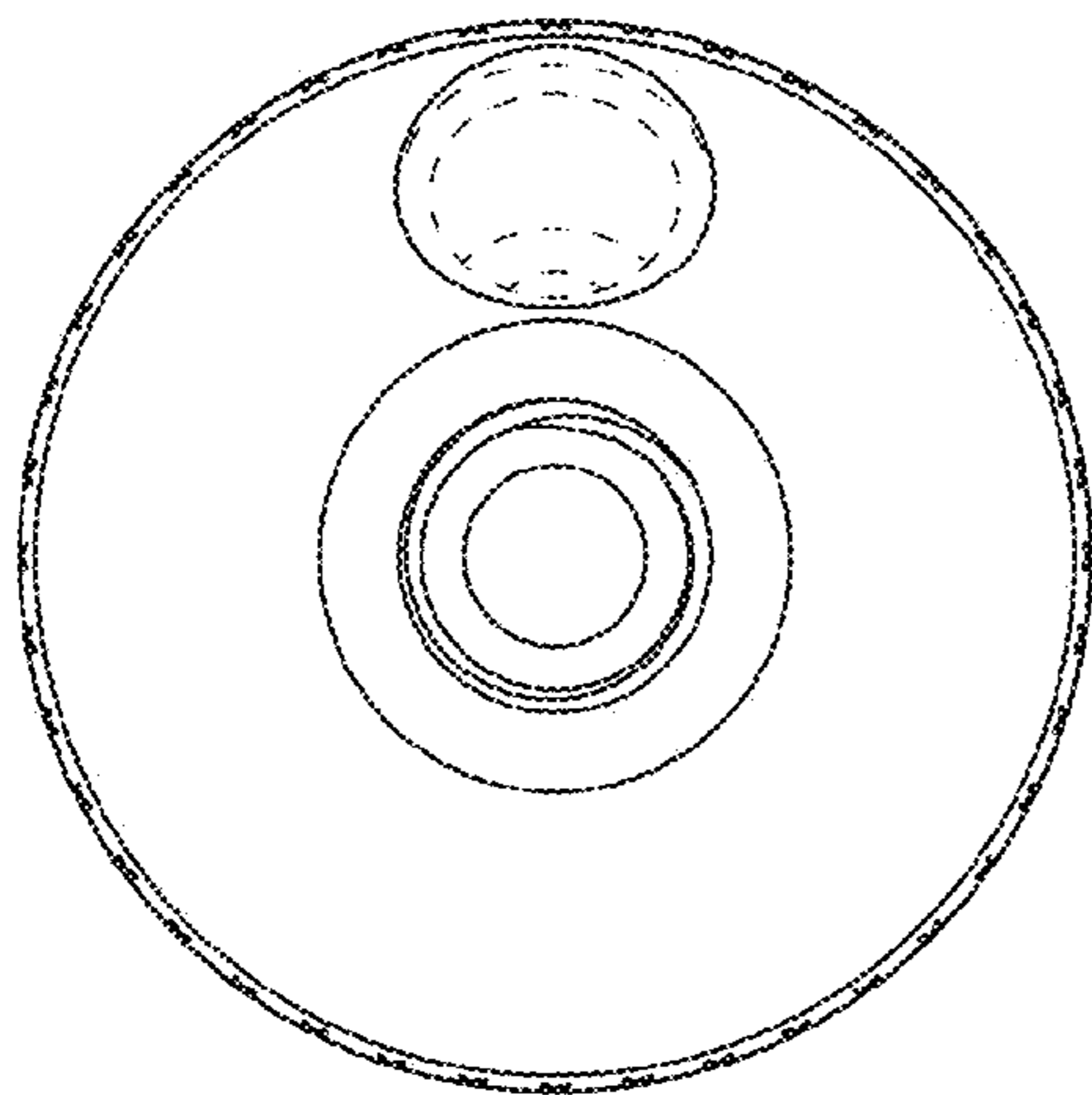


FIG. 6

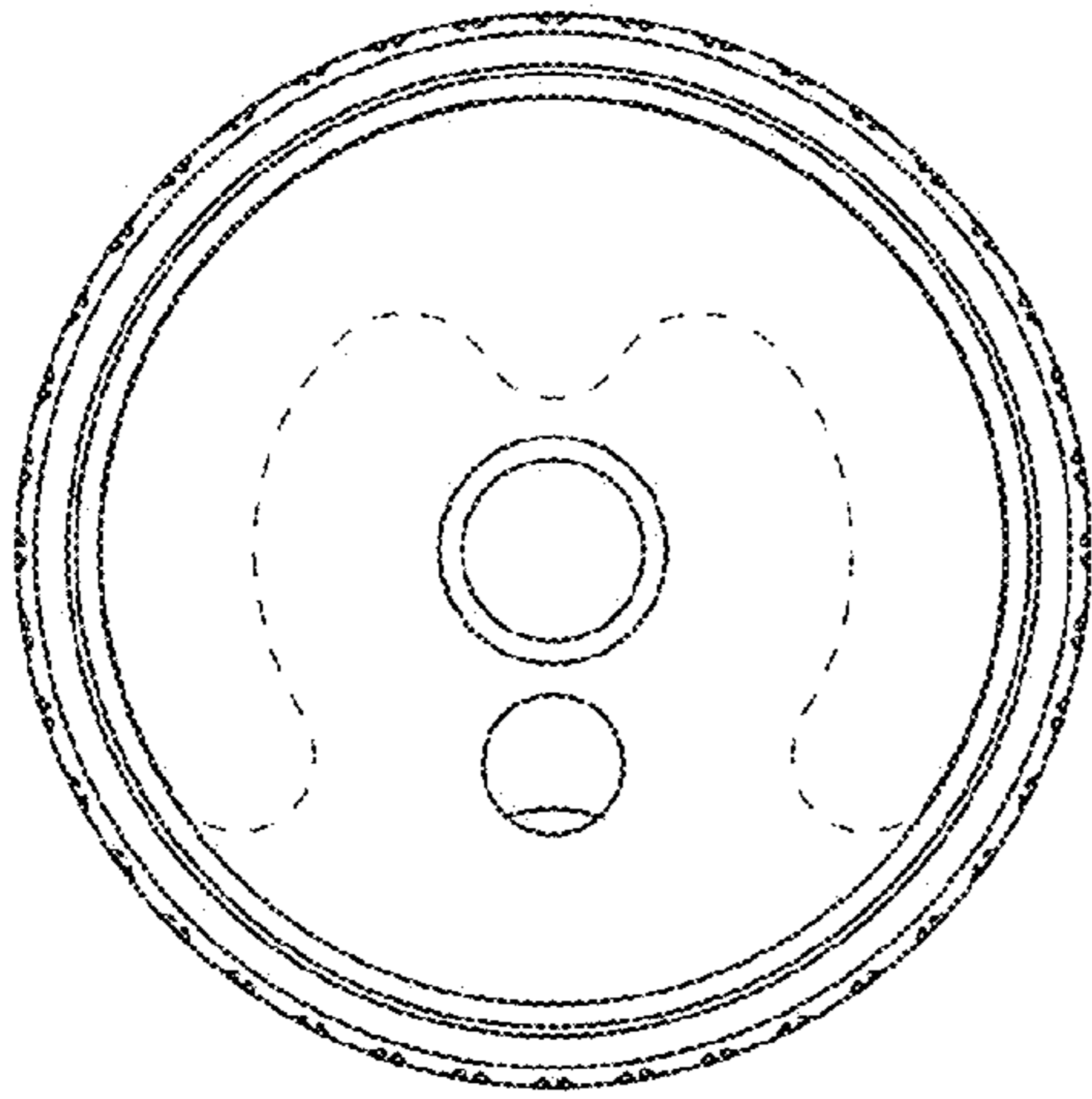


FIG. 7

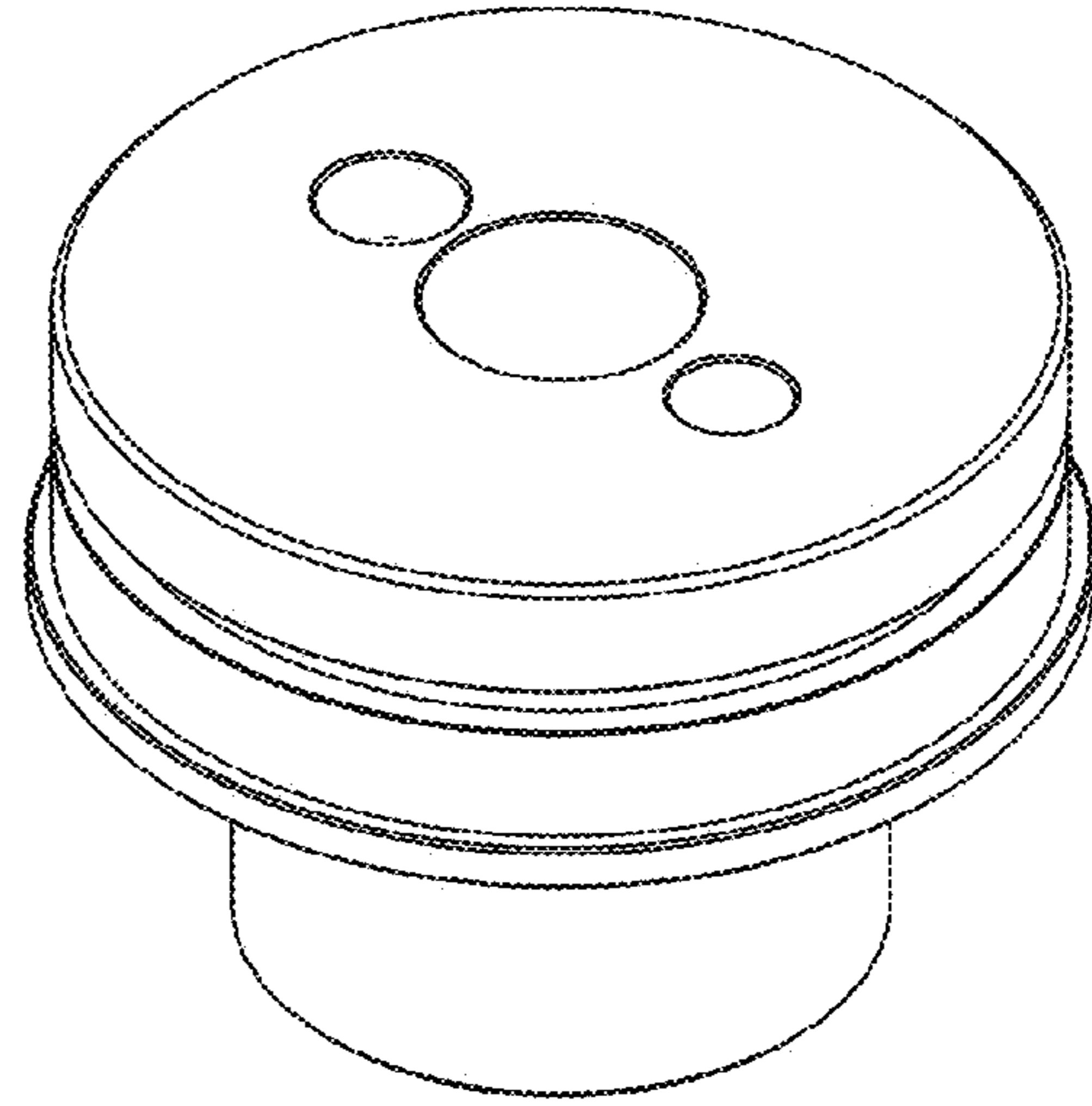


FIG. 8

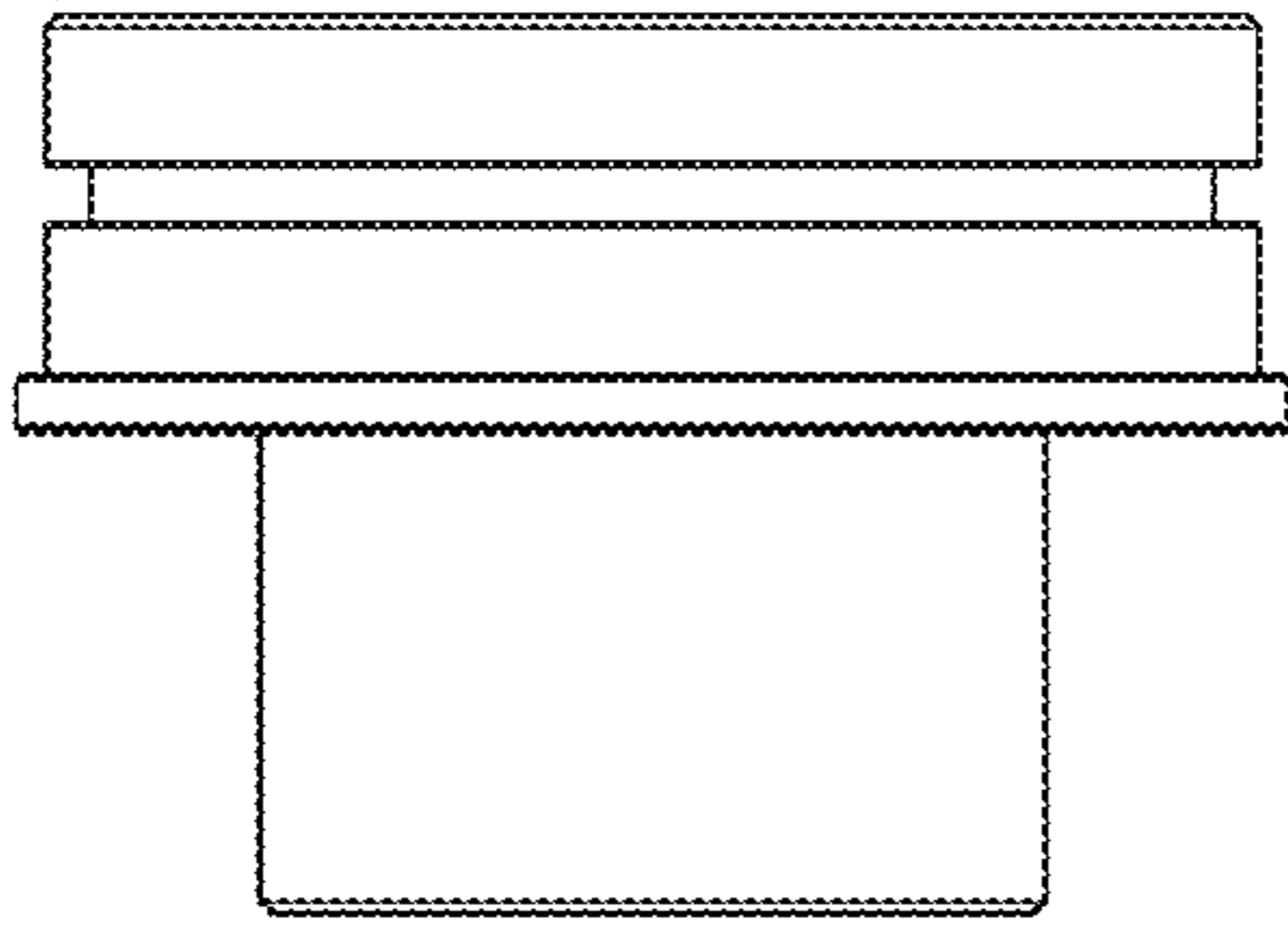


FIG. 9

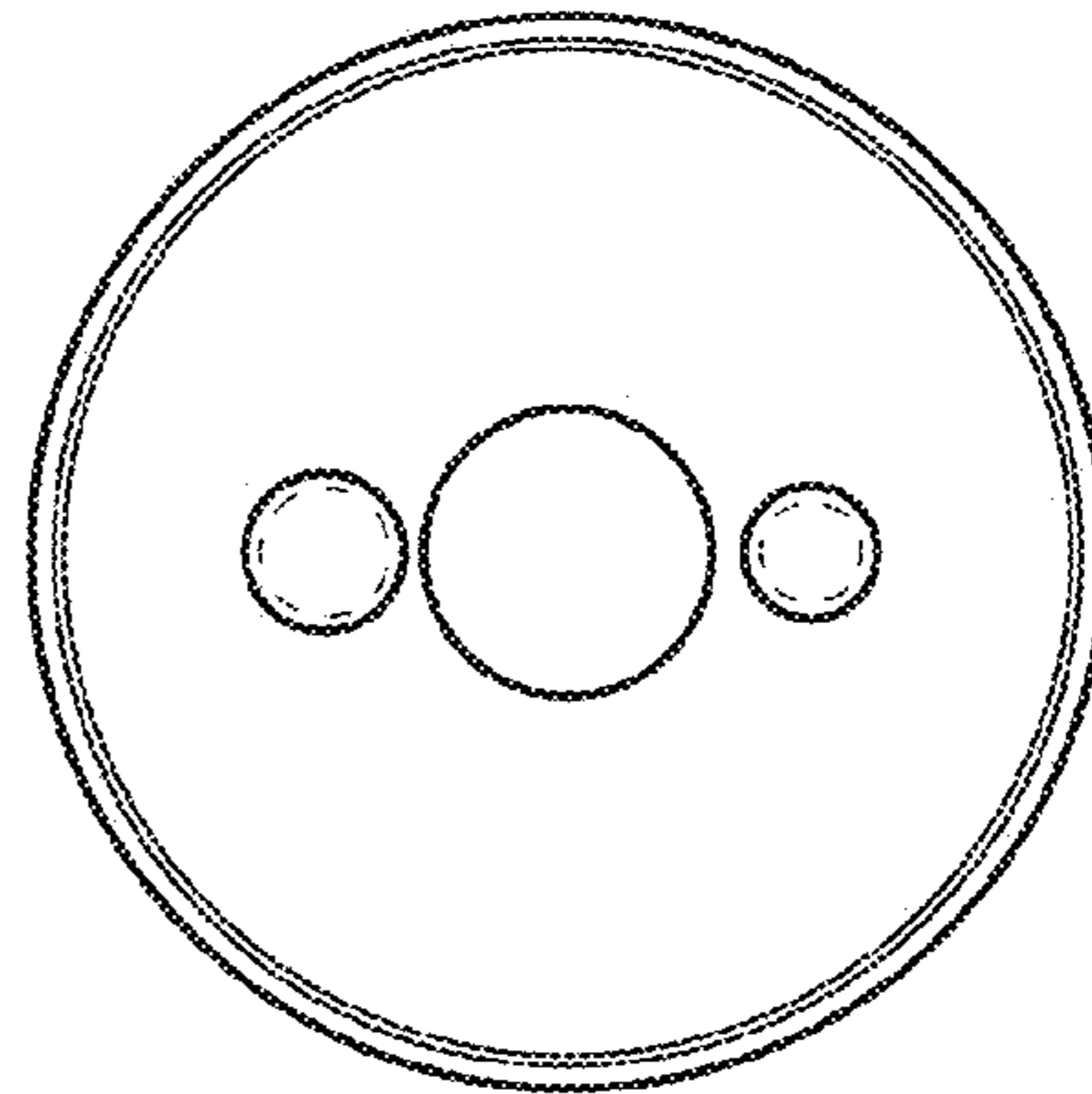


FIG. 10

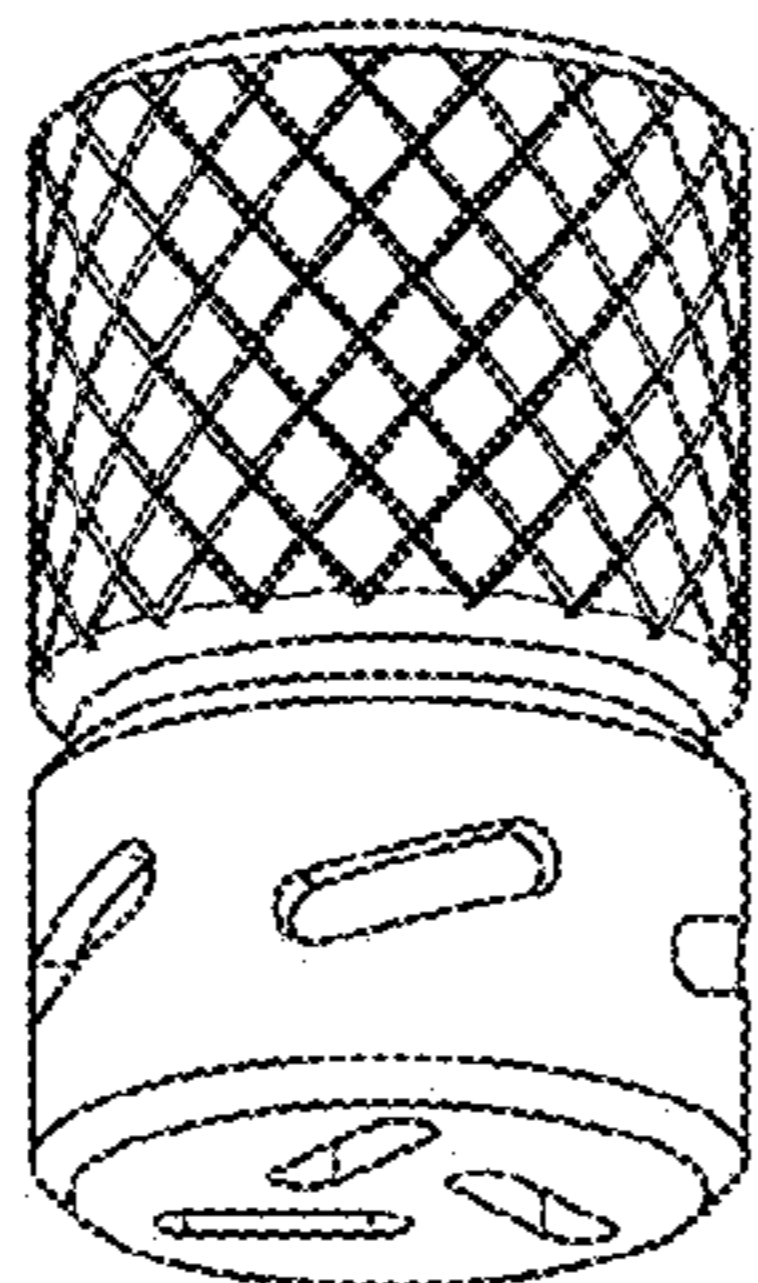


FIG. 11