



US00D943144S

(12) **United States Design Patent**
Eweidah

(10) **Patent No.:** **US D943,144 S**

(45) **Date of Patent:** **** Feb. 8, 2022**

- (54) **VAPING DEVICE**
- (71) Applicant: **AISLEYMORE CORPORATION**
N.V., Willemstad (CW)
- (72) Inventor: **Fadi Eweidah**, Richmond Hill (CA)
- (**) Term: **15 Years**
- (21) Appl. No.: **29/679,957**
- (22) Filed: **Feb. 12, 2019**
- (51) **LOC (13) Cl.** **27-02**
- (52) **U.S. Cl.**
USPC **D27/162**
- (58) **Field of Classification Search**
USPC D27/162, 100, 101, 163–165, 172,
D27/174–176, 183, 185–194; D24/110,
D24/110.5; D23/366
CPC A24F 47/002; A24F 47/006; A24F 47/008;
A61M 15/00; A61M 15/06
See application file for complete search history.

D639,922 S *	6/2011	Howlett	D23/366
D642,255 S *	7/2011	Mazzeo	D23/366
D649,237 S *	11/2011	Bilko	D23/366
8,051,999 B2	11/2011	Carmody et al.	
D716,929 S *	11/2014	Gobber	A61L 9/12 D23/366
D752,807 S *	3/2016	Young	D27/163
D779,072 S *	2/2017	Pratt, Jr.	D24/167
D799,691 S *	10/2017	Pratt, Jr.	D24/110
D804,015 S *	11/2017	Lamba	D24/110
D850,710 S *	6/2019	Wu	D27/101
D863,675 S *	10/2019	Huang	D27/163
D868,366 S *	11/2019	Hawes	D27/162
2011/0271958 A1*	11/2011	Sawant	A61M 15/0075 128/203.21
2019/0166910 A1*	6/2019	Eweidah	A24F 47/008

(56) **References Cited**

U.S. PATENT DOCUMENTS

1,160,982 A	11/1915	Hammer	
1,351,496 A	8/1920	Spooner	
3,101,856 A	8/1963	Whiteman, Jr.	
3,140,799 A	7/1964	Mehr	
3,151,599 A	10/1964	Livingston	
3,260,423 A	7/1966	Fillmore et al.	
3,656,646 A	4/1972	Taylor	
3,757,979 A	9/1973	Beghahn	
3,944,114 A	3/1976	Coppens	
4,117,949 A	10/1978	Dwinell	
4,128,184 A	12/1978	Northup	
4,156,489 A	5/1979	Kong	
4,383,619 A	5/1983	Mumford et al.	
4,789,057 A	12/1988	Fisher	
7,111,746 B2	9/2006	Miceli et al.	
D565,715 S *	4/2008	Wu	D23/366

OTHER PUBLICATIONS

Inhaler by: Asthma inhaler isolated on white 14962991 found on line Aug. 28, 2020 <https://depositphotos.com/14962991/stock-photo-asthma-inhaler-isolated-on-white.html>.*

* cited by examiner

Primary Examiner — Rebecca Tsehaye

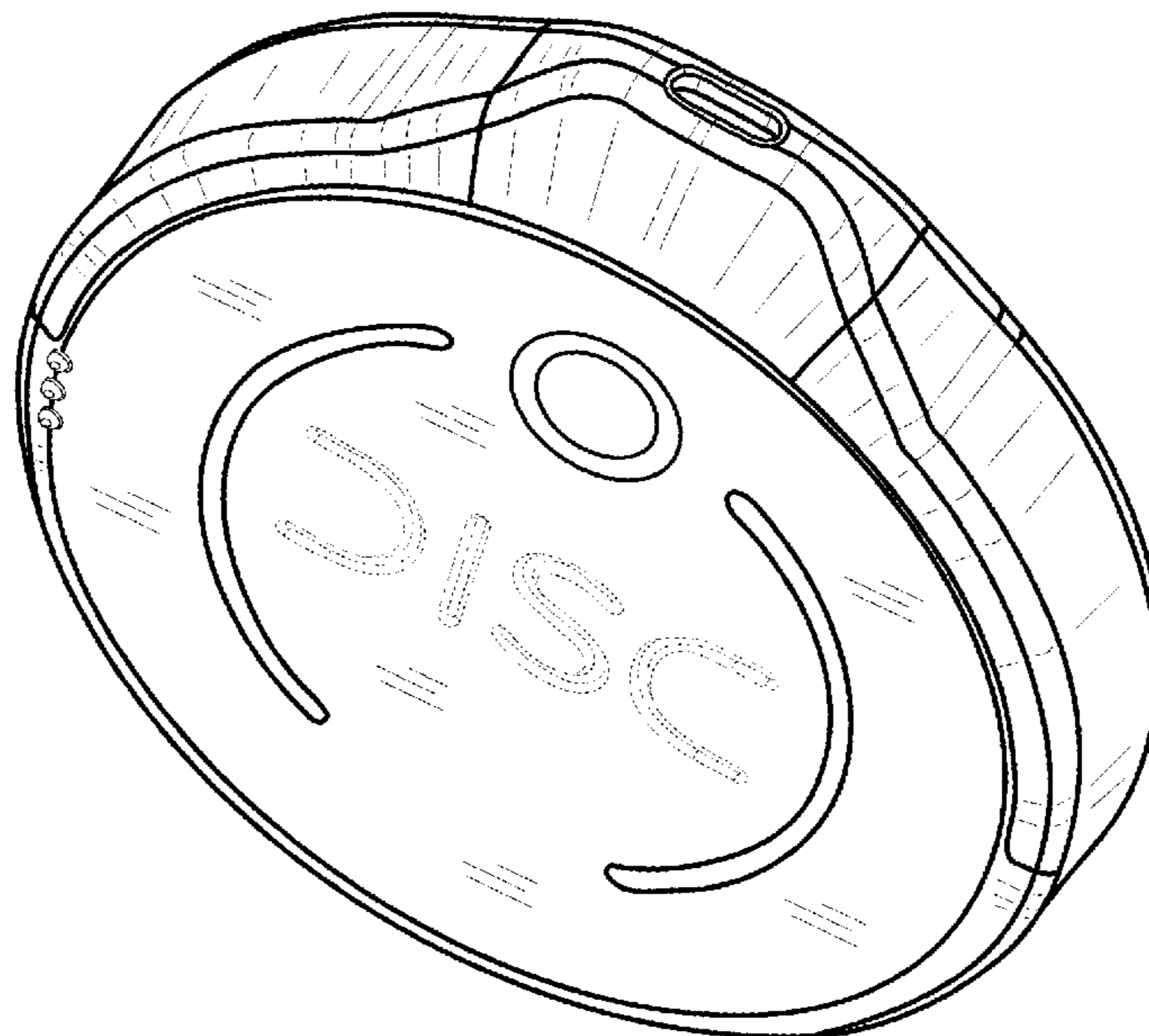
(57) **CLAIM**

The ornamental design for a vaping device, as shown.

DESCRIPTION

FIG. 1 is an isometric elevational view of a vaping device; FIG. 2 is a top elevational view thereof; FIG. 3 is a bottom elevational view thereof; FIG. 4 is a rear elevational view thereof; FIG. 5 is a front elevational view thereof; FIG. 6 is a left side elevational view thereof; FIG. 7 is a right side elevational view thereof; and, FIG. 8 is an isometric elevational view thereof, with the lid open.

1 Claim, 8 Drawing Sheets



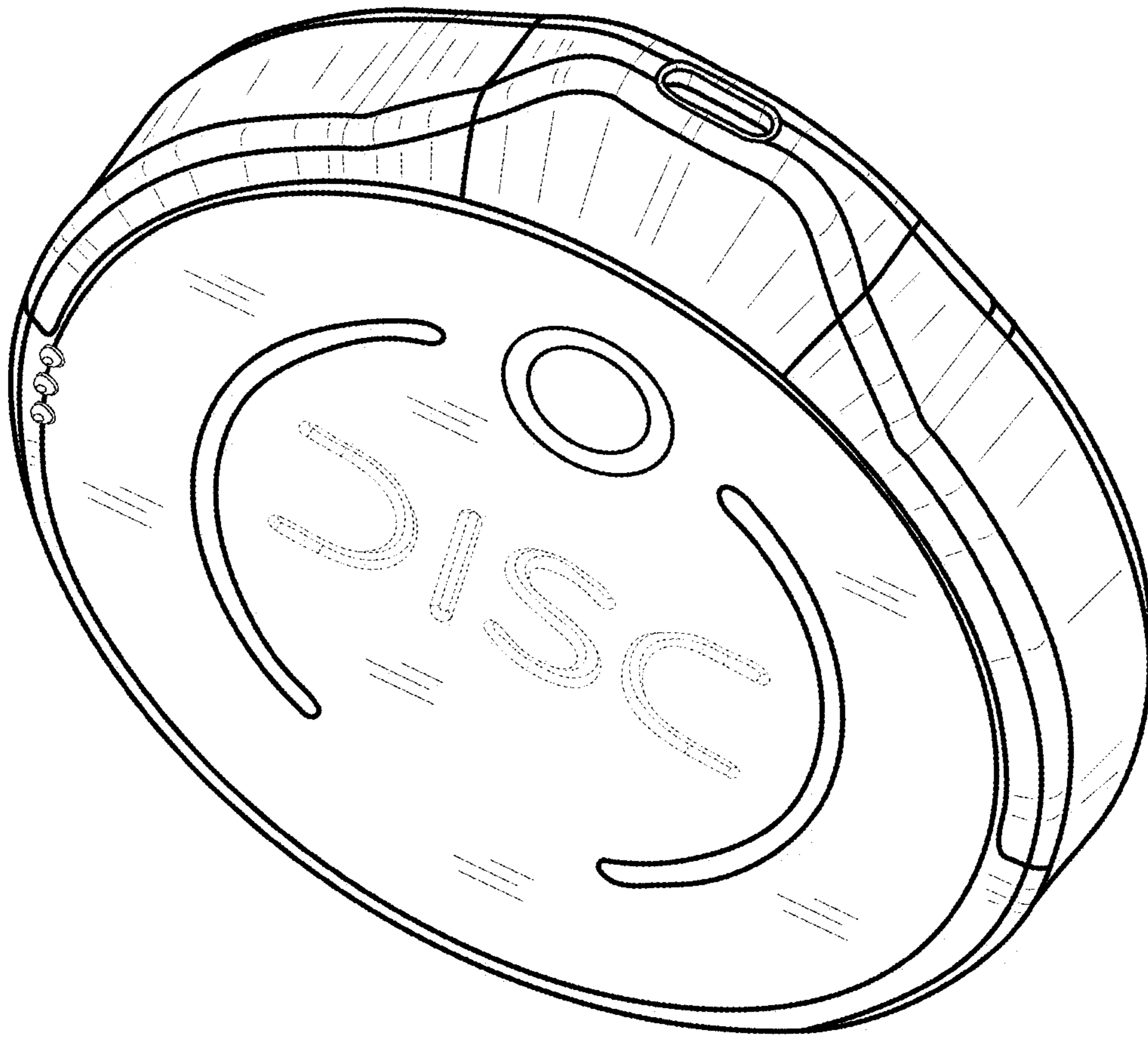


Fig. 1

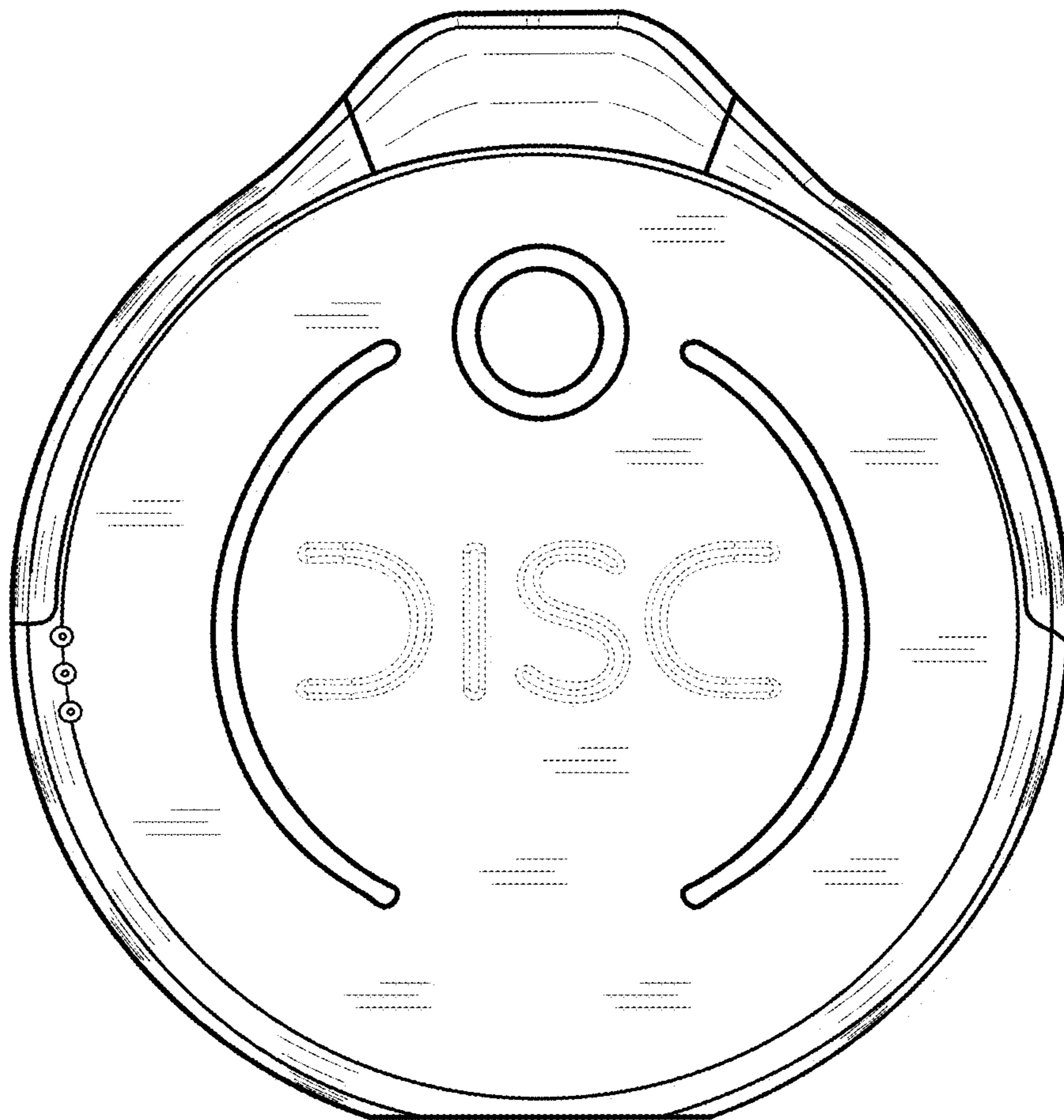


Fig. 2

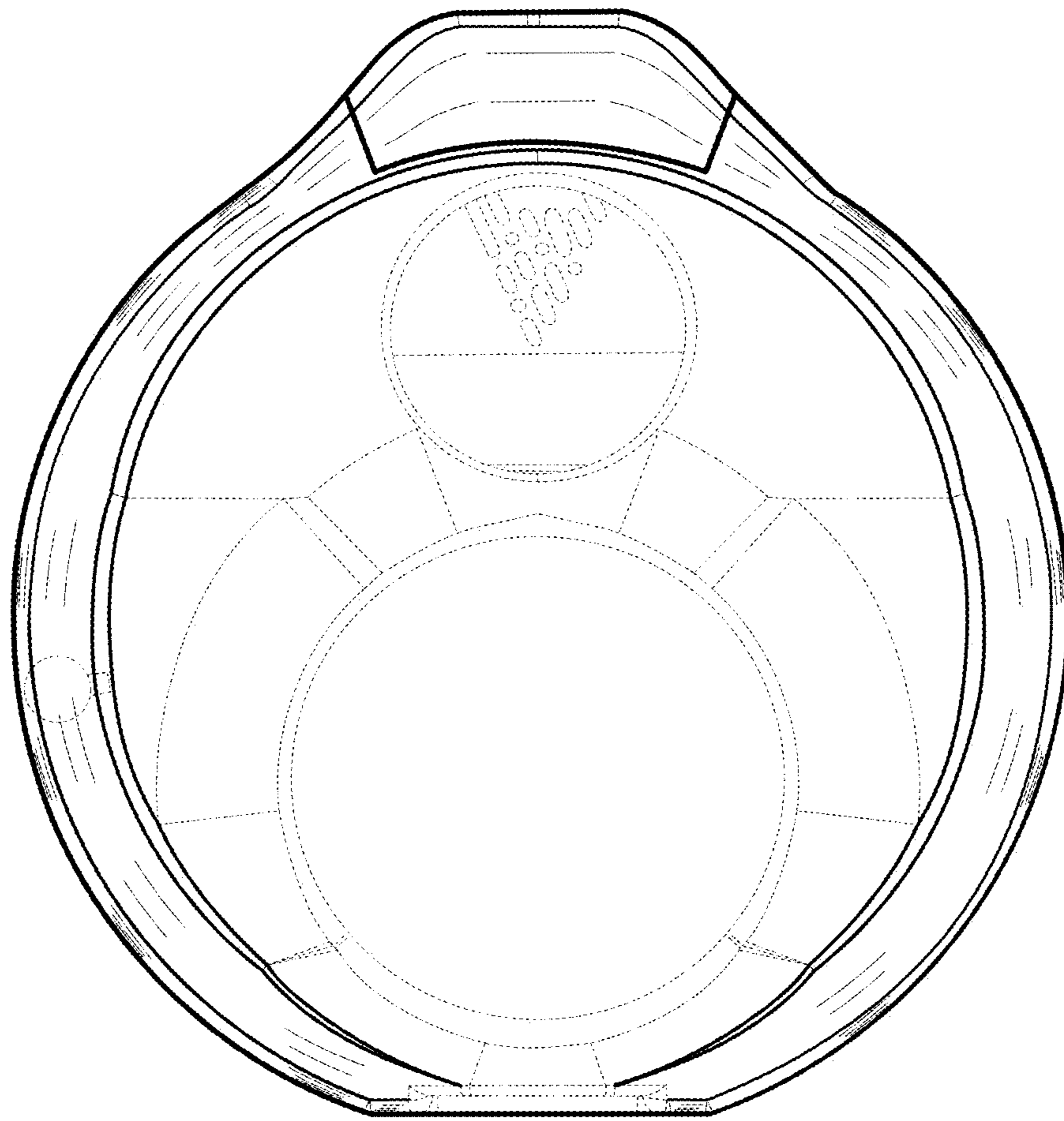


Fig. 3

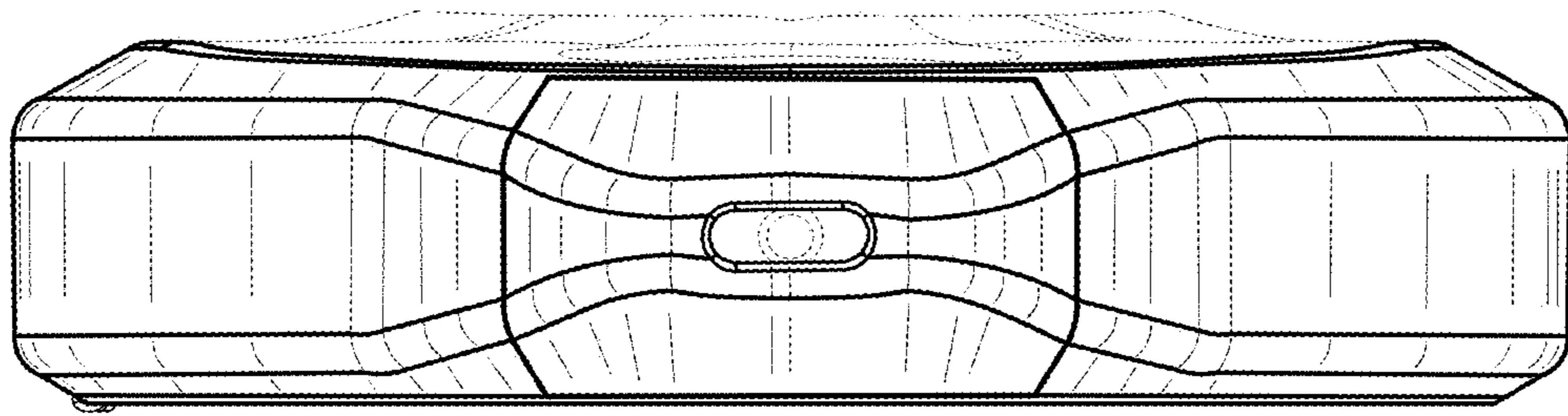


Fig. 4

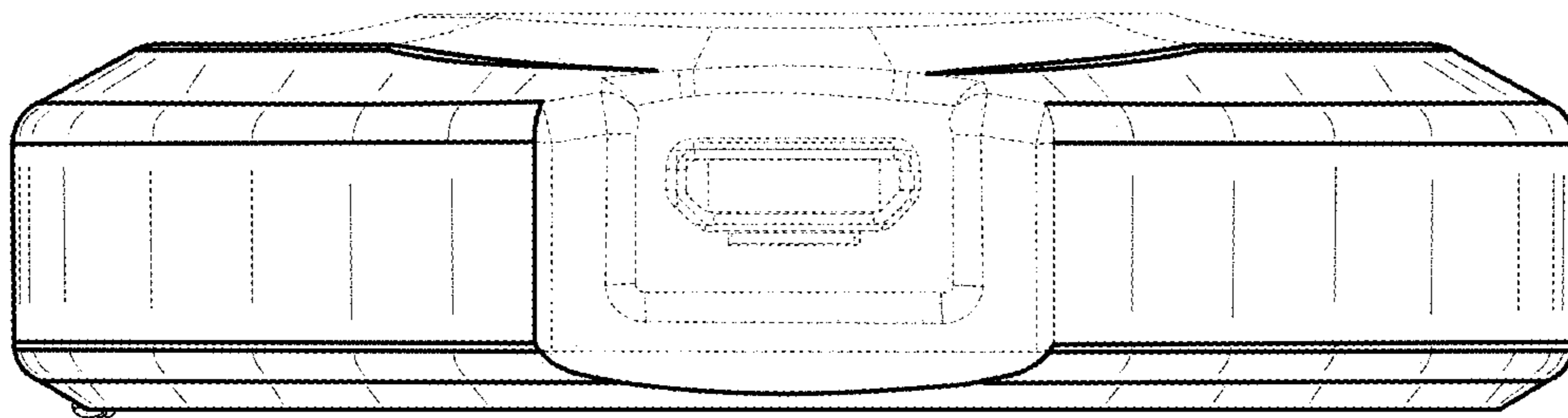


Fig. 5

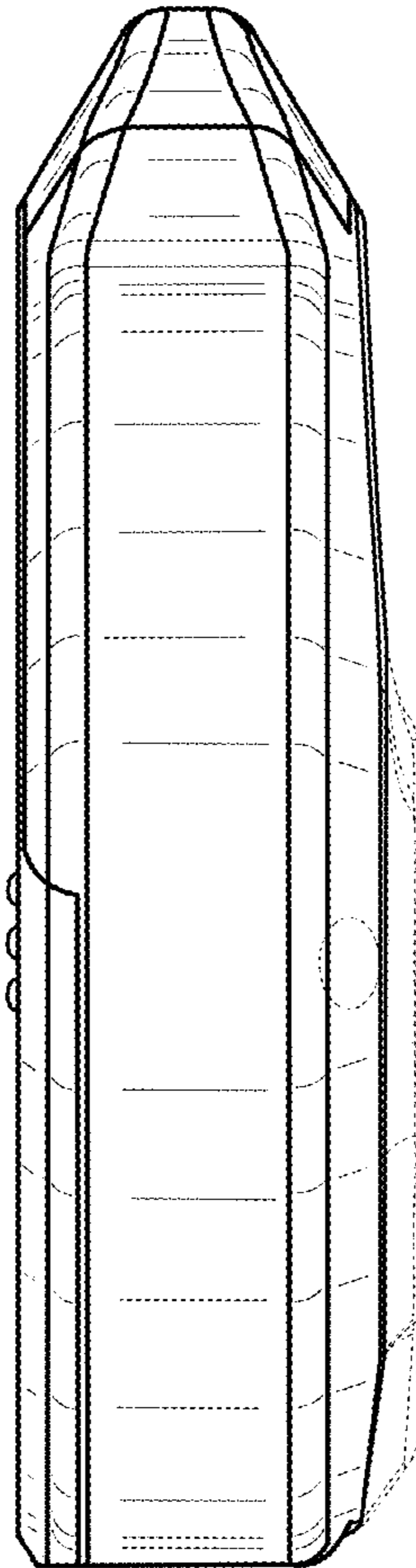


Fig. 6

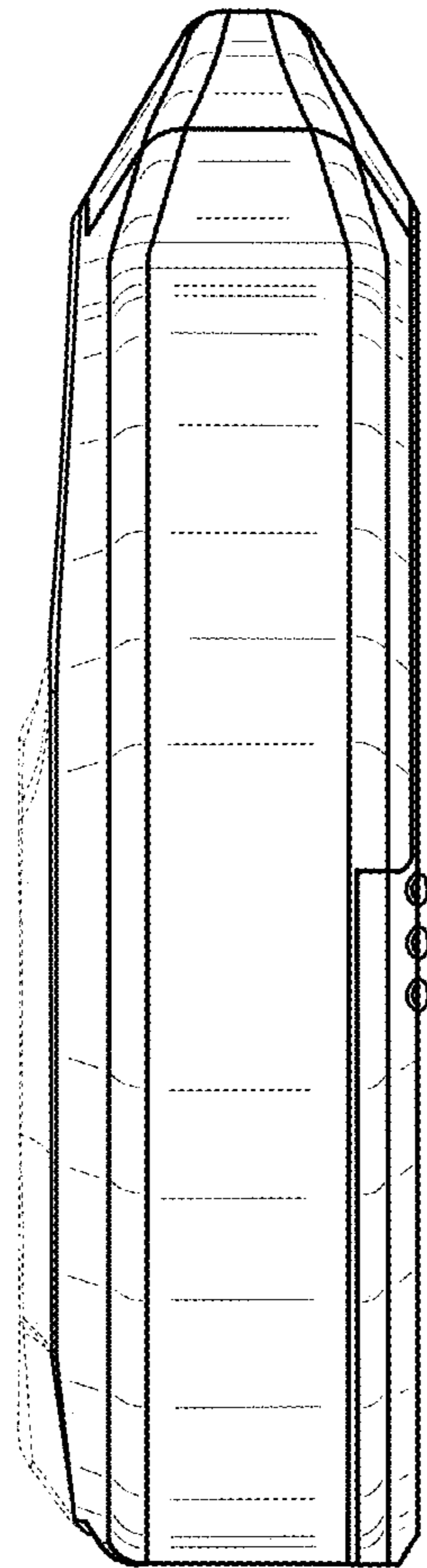


Fig. 7

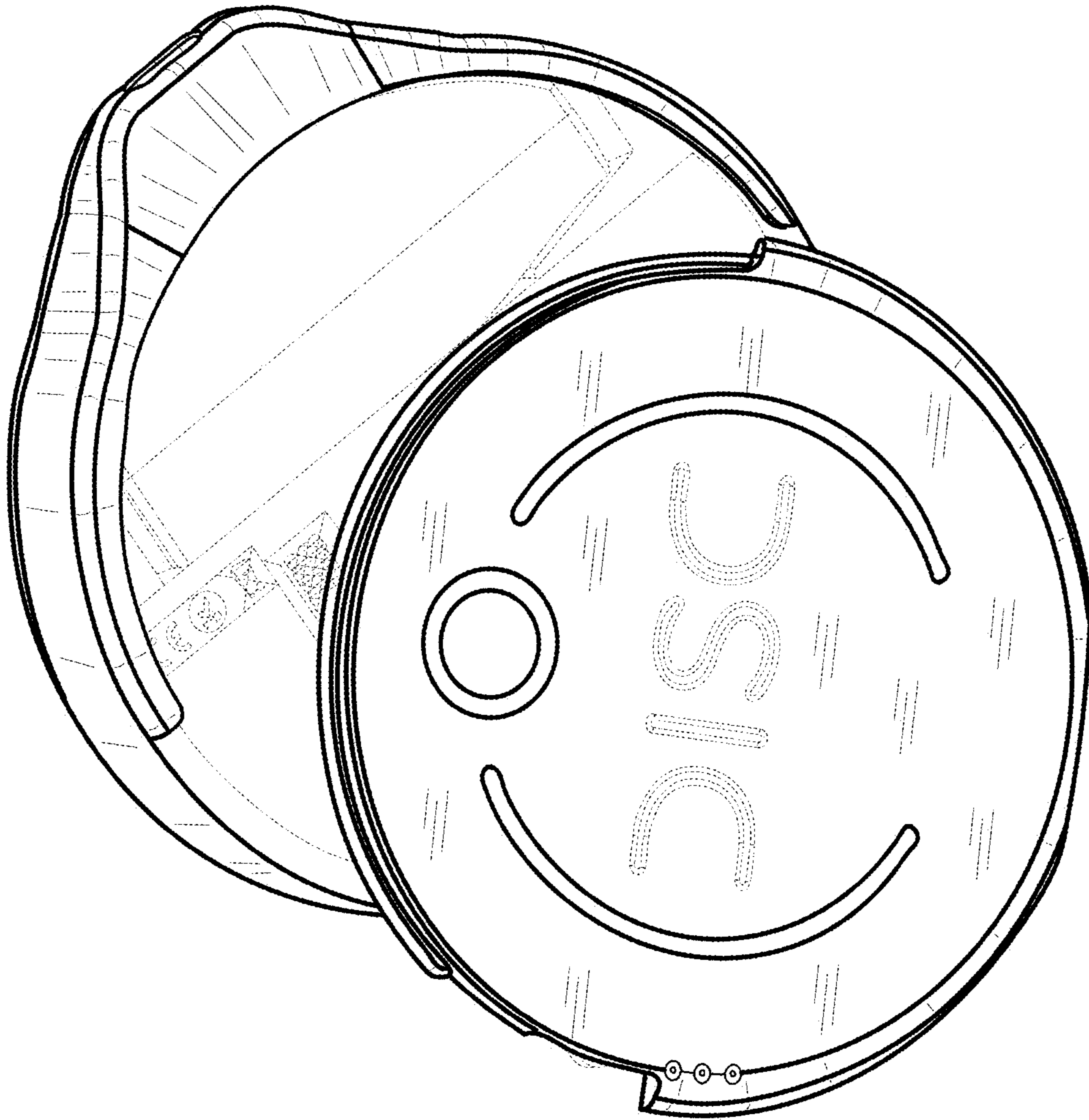


Fig. 8