



US00D943142S

(12) **United States Design Patent** (10) **Patent No.:** **US D943,142 S**
Pan (45) **Date of Patent:** **** Feb. 8, 2022**

(54) **LIGHTER**
(71) Applicant: **L.A. Lighter, Inc.**, City of Industry, CA (US)
(72) Inventor: **Phillip Pan**, City of Industry, CA (US)
(**) Term: **15 Years**

D872,356 S * 1/2020 Pan D27/159
D875,300 S * 2/2020 Chen D27/159
D884,264 S * 5/2020 Pan D27/159
D912,886 S * 3/2021 Pan D27/139
2010/0261129 A1* 10/2010 Lin F23D 14/38
431/344
2019/0093889 A1* 3/2019 Ho F23D 14/38
2019/0093890 A1* 3/2019 Shen F23D 14/38

(21) Appl. No.: **29/706,461**
(22) Filed: **Sep. 20, 2019**
(51) **LOC (13) Cl.** **27-05**
(52) **U.S. Cl.**
USPC **D27/159; D27/139**
(58) **Field of Classification Search**
USPC D27/139, 141, 142, 148, 159, 153, 158,
D27/161; D23/211.1; D7/416; D9/446,
D9/454, 435, 439
CPC F23Q 2/00; F23Q 2/02; F23Q 2/16; F23Q
2/161; F23Q 2/162; F23Q 2/164; F23Q
2/167; F23Q 7/00; F23Q 7/14; F23Q
7/16; F23Q 7/24; F23Q 7/10
See application file for complete search history.

(56) **References Cited**
U.S. PATENT DOCUMENTS
D465,978 S * 11/2002 Miyanaga D8/30
D477,747 S * 7/2003 Hsu D7/416
D587,975 S * 3/2009 Aronson, II D15/144
D667,993 S * 9/2012 Lin D27/139
D820,331 S * 6/2018 Walters D15/144
D844,405 S * 4/2019 Shen D8/29.1
D862,792 S * 10/2019 Chen D27/159
D867,655 S * 11/2019 Chen D27/157
D869,749 S * 12/2019 Pan D27/159

OTHER PUBLICATIONS

Touuch Lighter By: Eagle found on Amazon Jul. 29, 2021 https://www.amazon.com/Eagle-Degree-Lighter-Windproof-Refillable/dp/B087ZSYX7K/ref= Aug. 24, 2020.*

* cited by examiner

Primary Examiner — Rebecca Tsehaye
(74) *Attorney, Agent, or Firm* — Tommy S F Wang;
Wang IP Law Group, P.C.

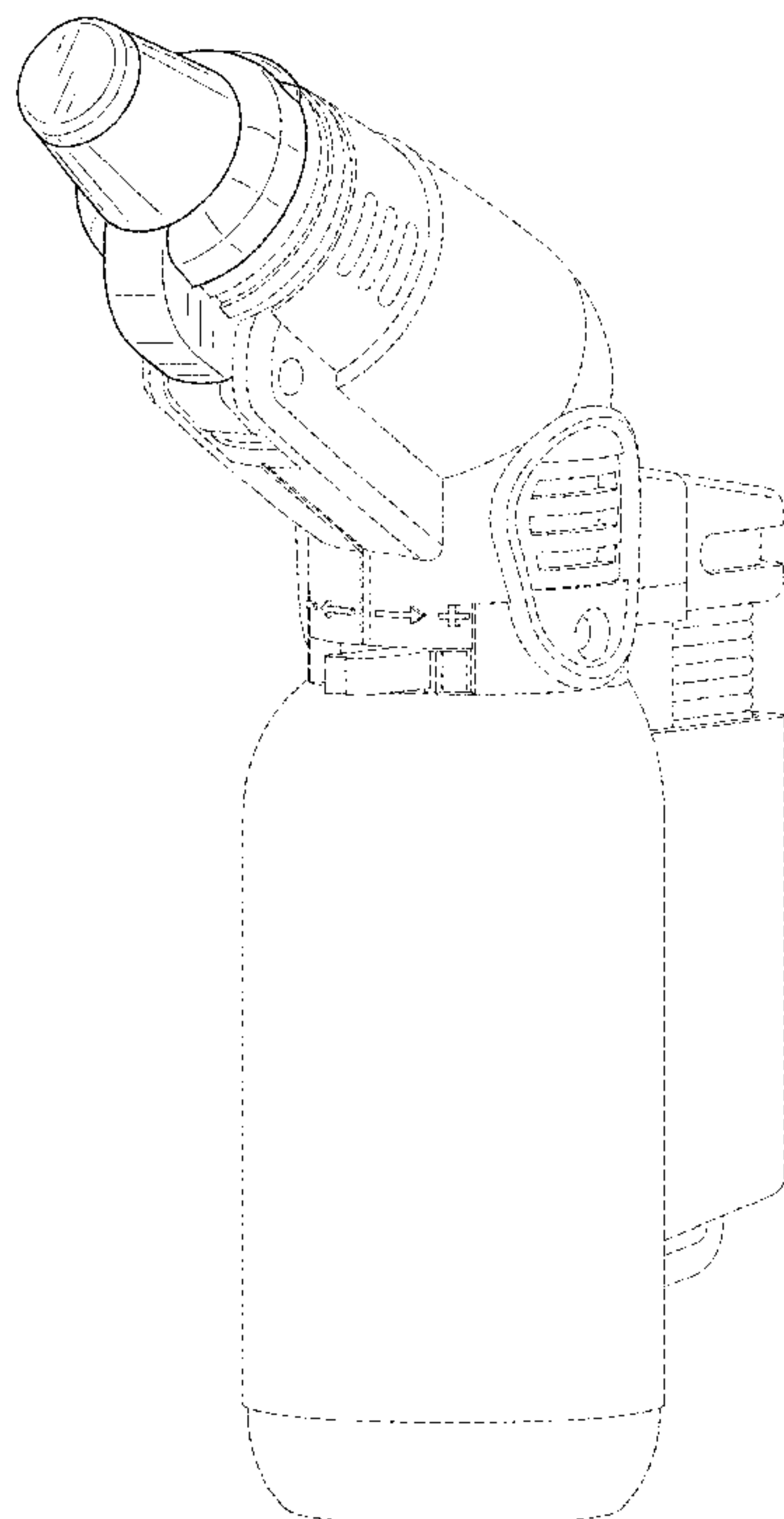
(57) **CLAIM**

The ornamental design for a lighter, as shown and described.

DESCRIPTION

FIG. 1 is a perspective view of a lighter showing my new design;
FIG. 2 is a front view thereof;
FIG. 3 is a rear view thereof;
FIG. 4 is a left side view thereof;
FIG. 5 is a right side view thereof;
FIG. 6 is a top view thereof; and,
FIG. 7 is a bottom view thereof.
The broken line portions of the lighter in FIGS. 1-7 represent unclaimed portions of the claimed design and form no part thereof.

1 Claim, 6 Drawing Sheets



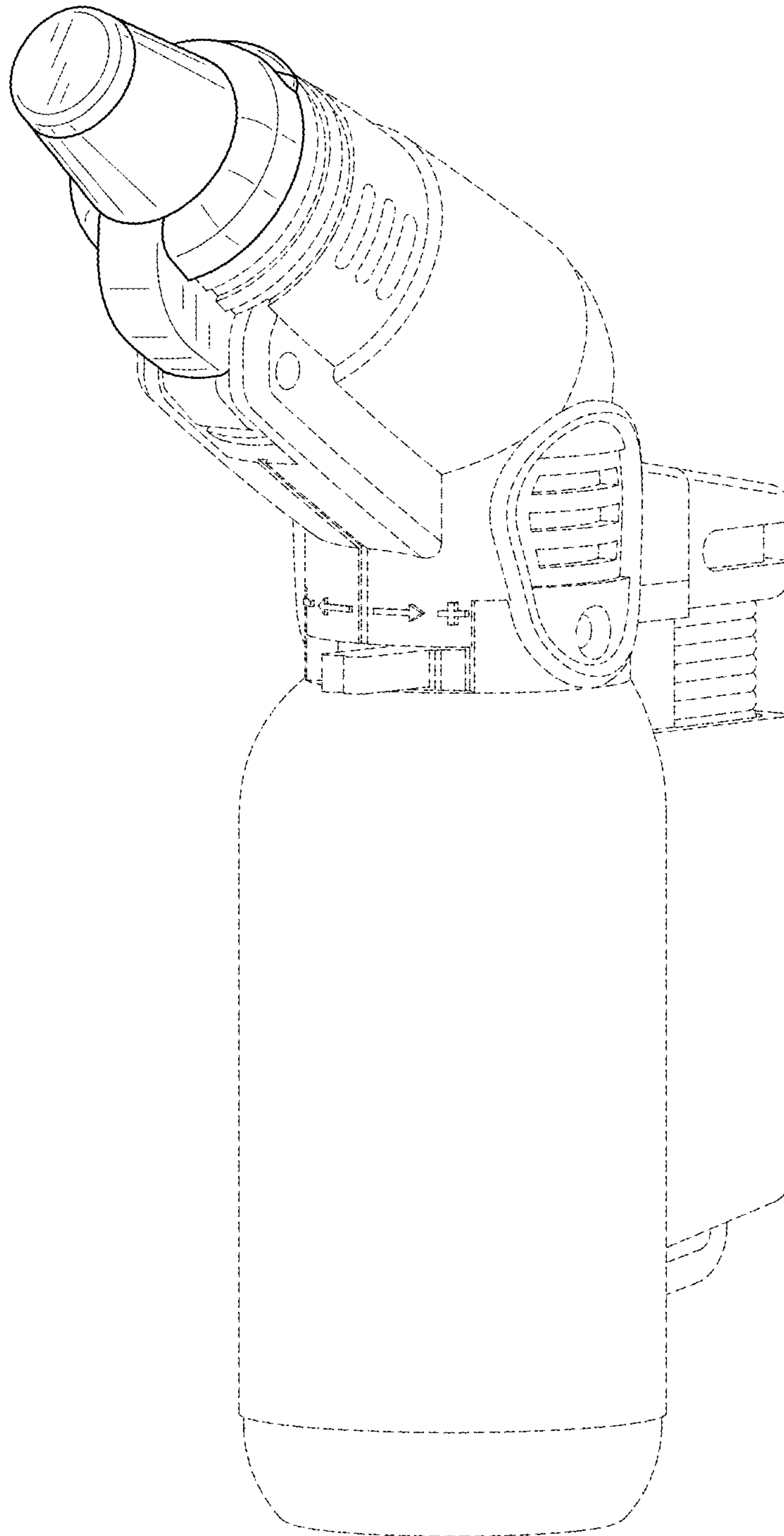


FIG. 1

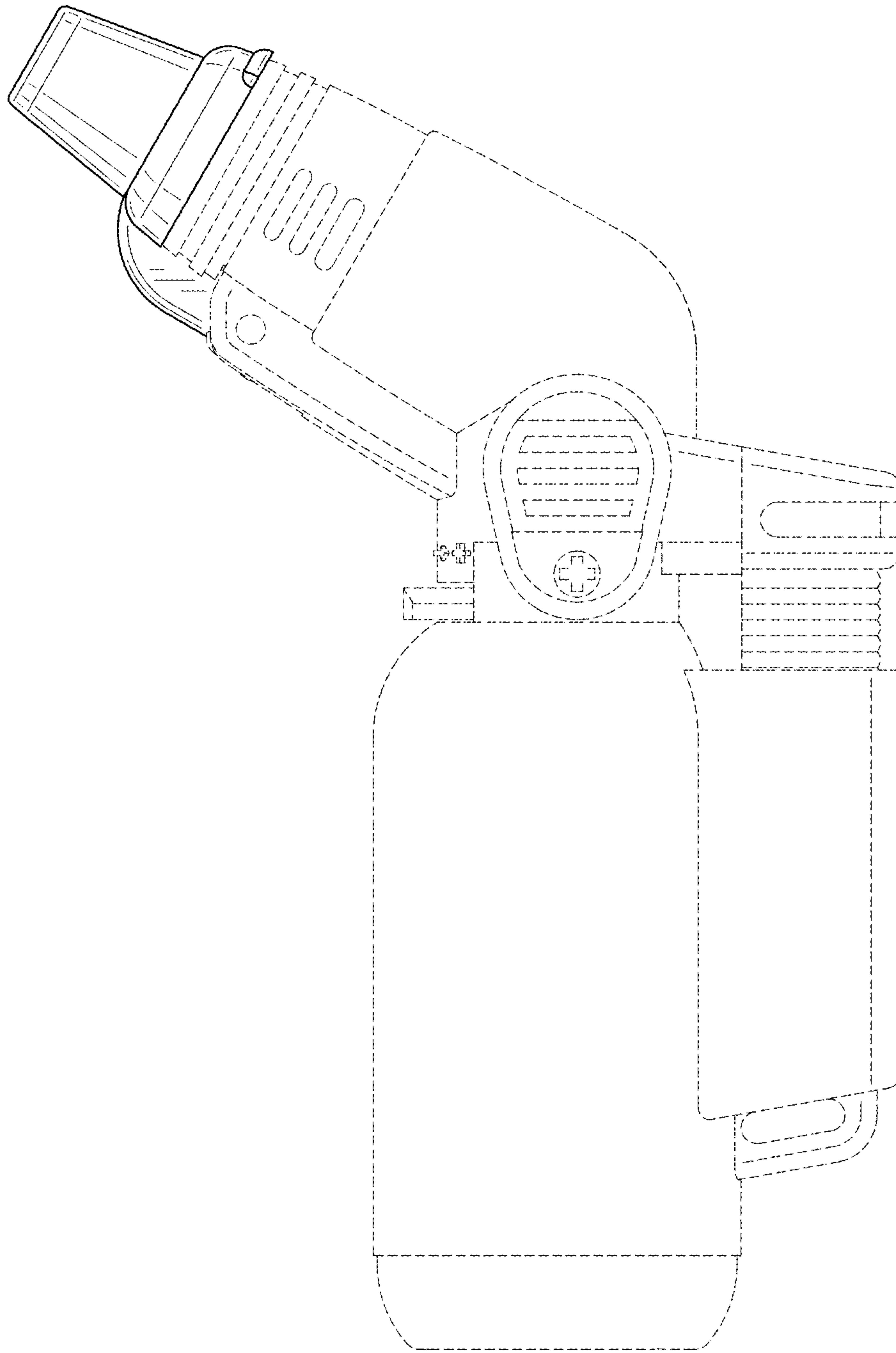


FIG. 2

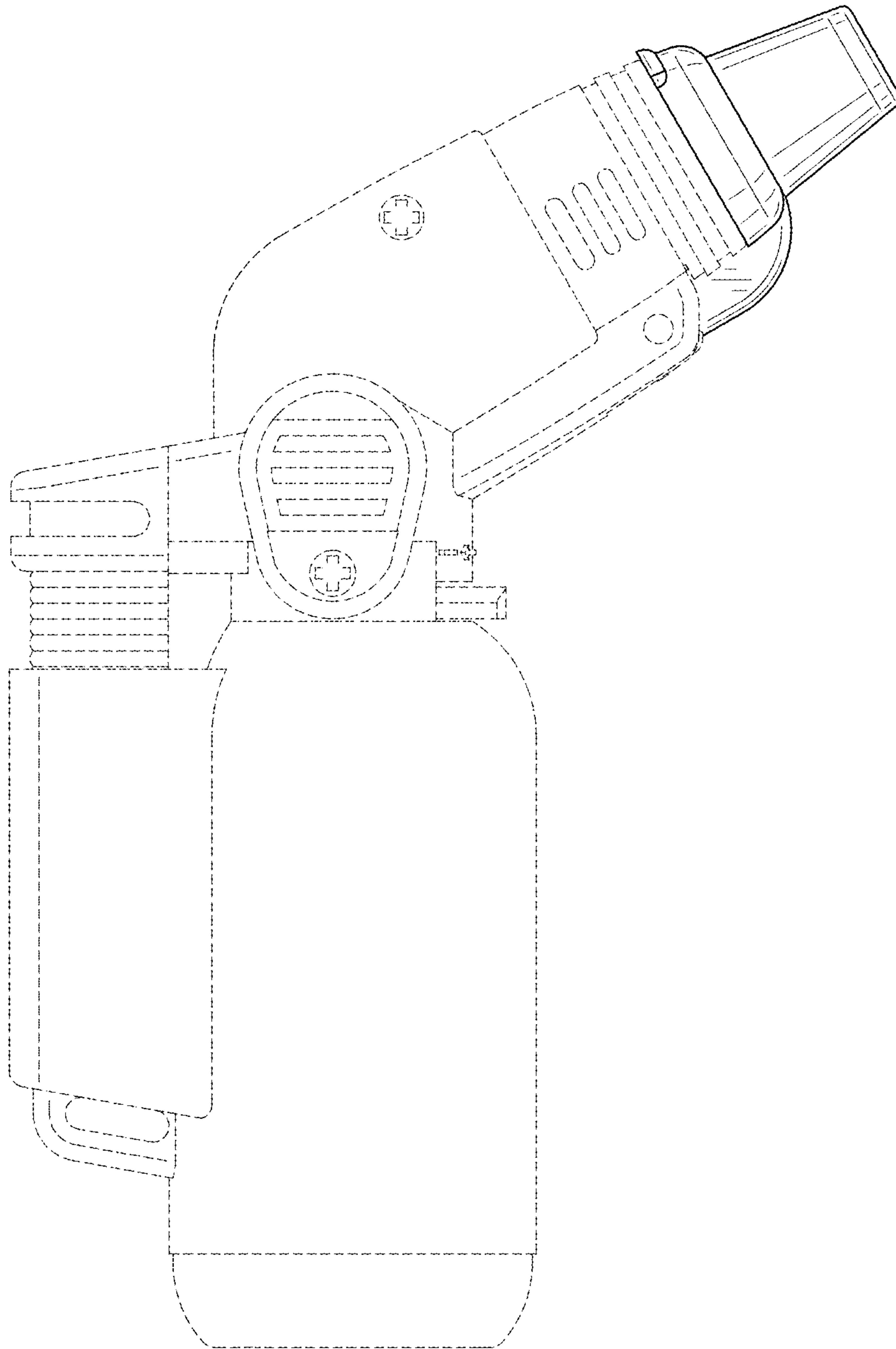


FIG. 3

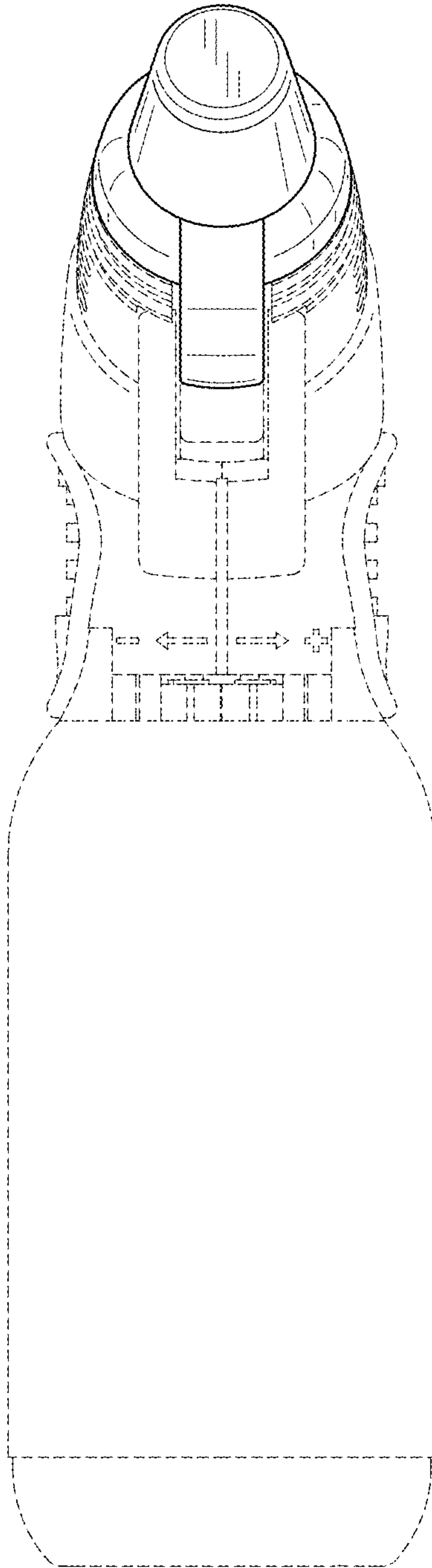


FIG. 4

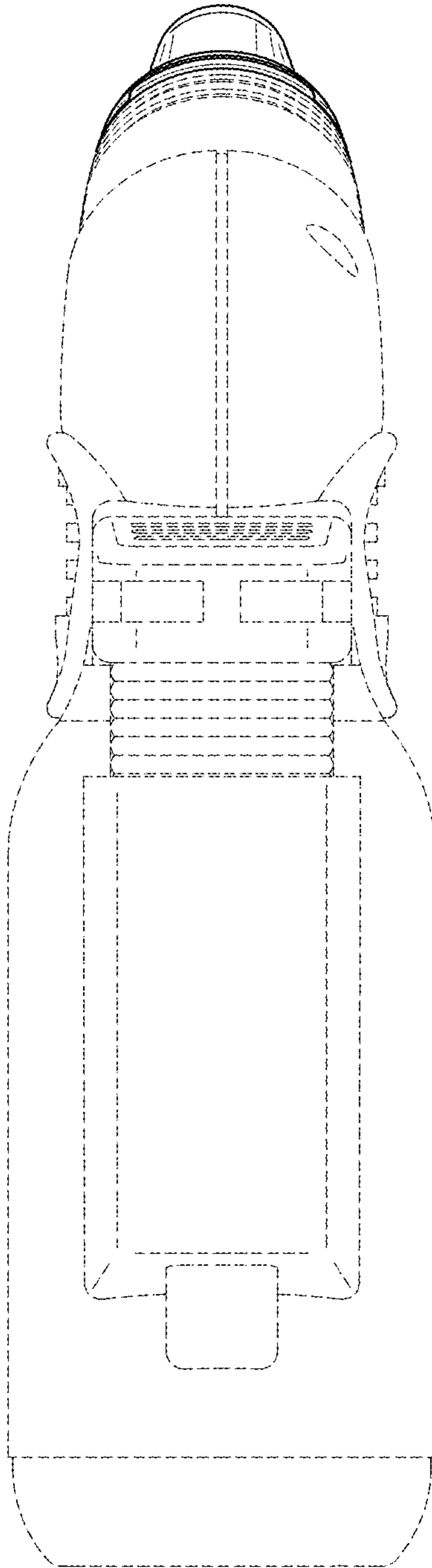


FIG. 5

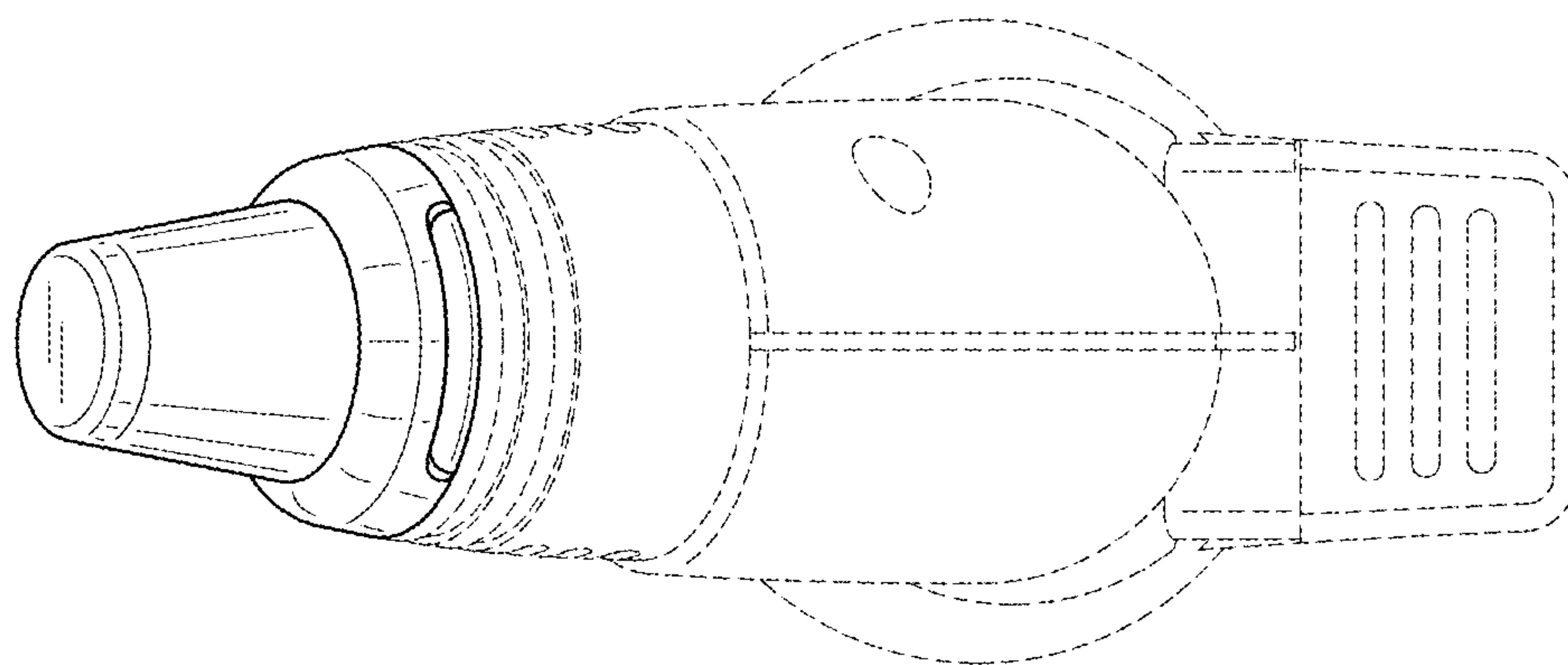


FIG. 6

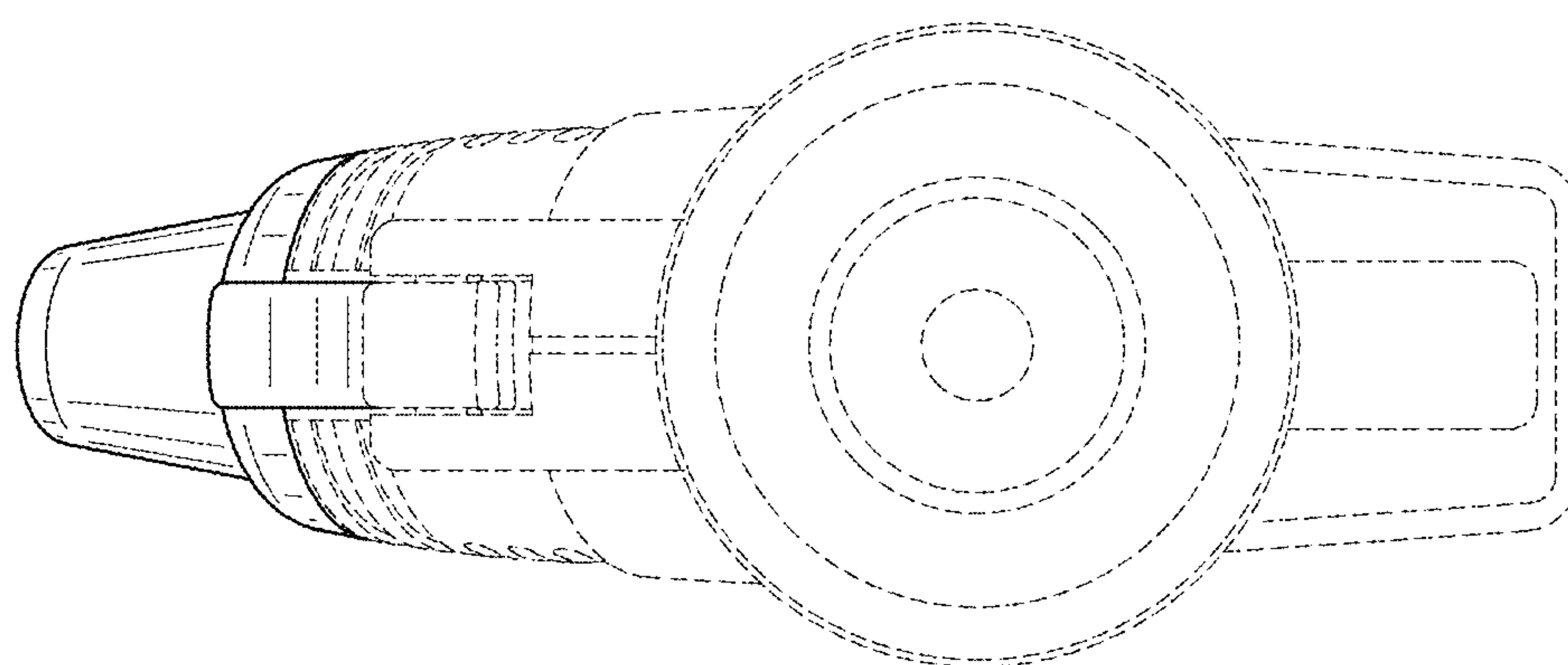


FIG. 7