



US00D943141S

(12) **United States Design Patent**
Yang

(10) **Patent No.:** **US D943,141 S**
(45) **Date of Patent:** **** Feb. 8, 2022**

(54) **LIGHTER**

(71) Applicant: **Hua Yang**, Wenzhou (CN)

(72) Inventor: **Hua Yang**, Wenzhou (CN)

(**) Term: **15 Years**

(21) Appl. No.: **29/712,570**

(22) Filed: **Nov. 8, 2019**

(51) **LOC (13) Cl.** **27-05**

(52) **U.S. Cl.**
USPC **D27/141**

(58) **Field of Classification Search**
USPC D27/141, 139, 142, 148, 153, 154, 157,
D27/158, 159, 161; D7/416
CPC F23Q 2/00; F23Q 2/02; F23Q 2/16; F23Q
2/161; F23Q 2/162; F23Q 2/164; F23Q
2/167; F23Q 7/00; F23Q 7/14; F23Q
7/16; F23Q 7/24; F23Q 7/10
See application file for complete search history.

(56) **References Cited**

U.S. PATENT DOCUMENTS

D330,441 S	*	10/1992	Cury	D27/154
D413,180 S	*	8/1999	Maruyama	D27/141
D571,503 S	*	6/2008	Lin	D27/157
D581,589 S	*	11/2008	Ochiai	D27/154
D759,299 S	*	6/2016	Almsberger	D27/154
D760,428 S	*	6/2016	Rahbar	D27/141
D770,677 S	*	11/2016	Van Keppel	D27/141
D785,861 S	*	5/2017	Stoll	D27/152
D822,897 S	*	7/2018	Almsberger	D27/141
D844,891 S	*	4/2019	Stoll	D27/153
D884,263 S	*	5/2020	Chen	D27/154
D910,902 S	*	2/2021	Bellvehi	D27/141

(Continued)

OTHER PUBLICATIONS

Car Auto Cigarette Lighter by AliExpress found on line Feb. 27,
2021 <https://www.aliexpress.com/i/33041081533.html> Jan. 18, 2021.*

Primary Examiner — Rebecca Tsehaye

(74) *Attorney, Agent, or Firm* — Christensen, Fonder,
Dardi & Herbert PLLC

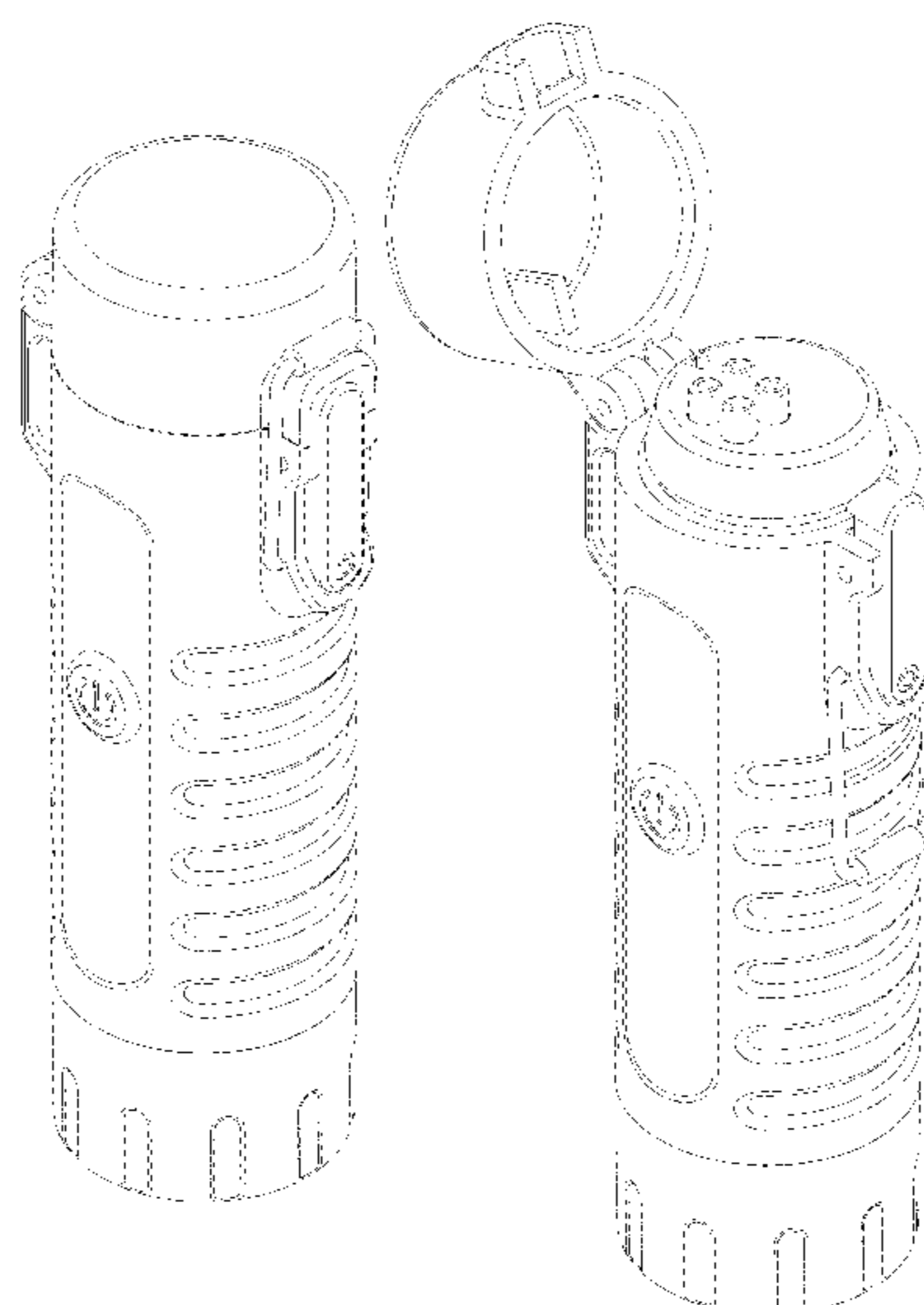
(57) **CLAIM**

I claim the ornamental design for a lighter, as shown and described.

DESCRIPTION

FIG. 1 is a front view of the lighter, in a closed position;
 FIG. 2 is a rear view of the lighter of FIG. 1 in a closed position;
 FIG. 3 is a left-side view of the lighter of FIG. 1 in a closed position;
 FIG. 4 is a right-side view of the lighter of FIG. 1 in a closed position;
 FIG. 5 is a top view of the lighter of FIG. 1 in a closed position;
 FIG. 6 is a bottom view of the lighter of FIG. 1 in a closed position;
 FIG. 7 is a front-perspective view of the lighter of FIG. 1 in a closed position;
 FIG. 8 is a front view of the lighter of FIG. 1, in an open position;
 FIG. 9 is a rear view of the lighter of FIG. 1, in an open position;
 FIG. 10 is a left-side view of the lighter of FIG. 1, in an open position;
 FIG. 11 is a right-side view of the lighter of FIG. 1, in an open position;
 FIG. 12 is a top view of the lighter of FIG. 1, in an open position;
 FIG. 13 is a bottom view of the lighter of FIG. 1, in an open position; and,
 FIG. 14 is a front-perspective view of the lighter of FIG. 1, in an open position.
 The broken lines in the drawings depict portions of the lighter that form no part of the claimed design.

1 Claim, 14 Drawing Sheets



(56)

References Cited

U.S. PATENT DOCUMENTS

2004/0115579 A1* 6/2004 Lin F23Q 2/164
431/153
2018/0003383 A1* 1/2018 Stonis F23Q 2/287

* cited by examiner

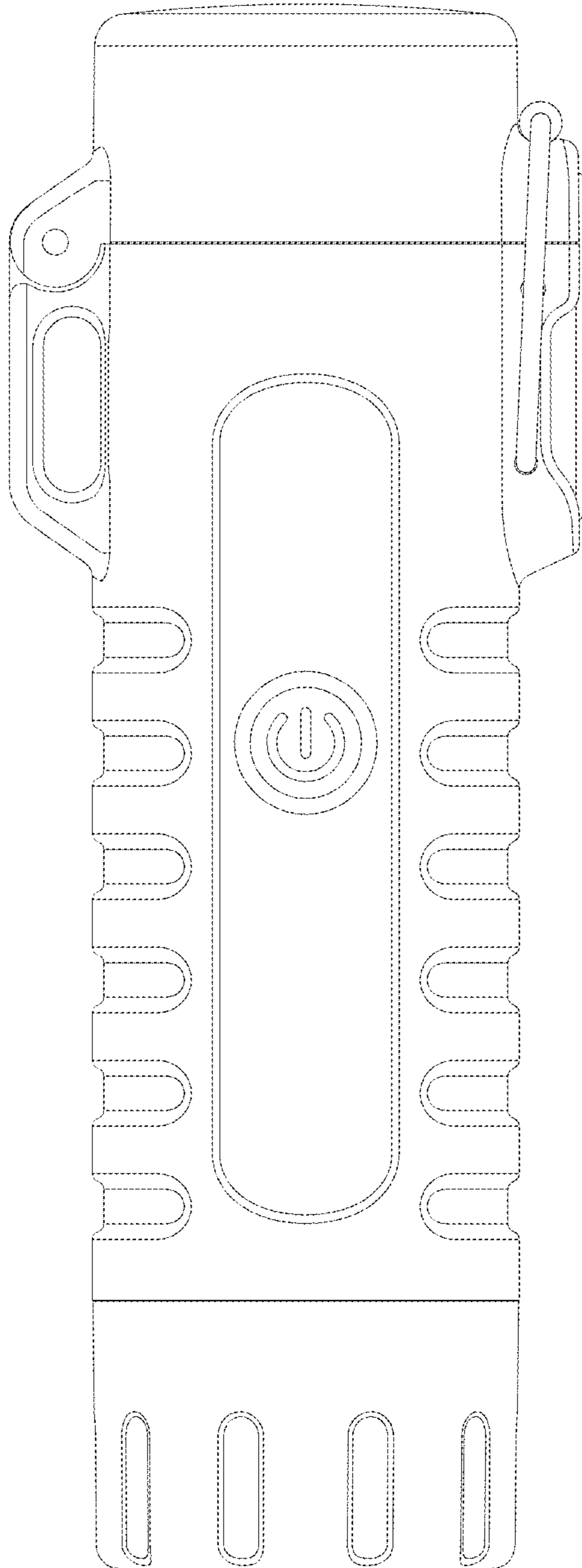


FIG. 1

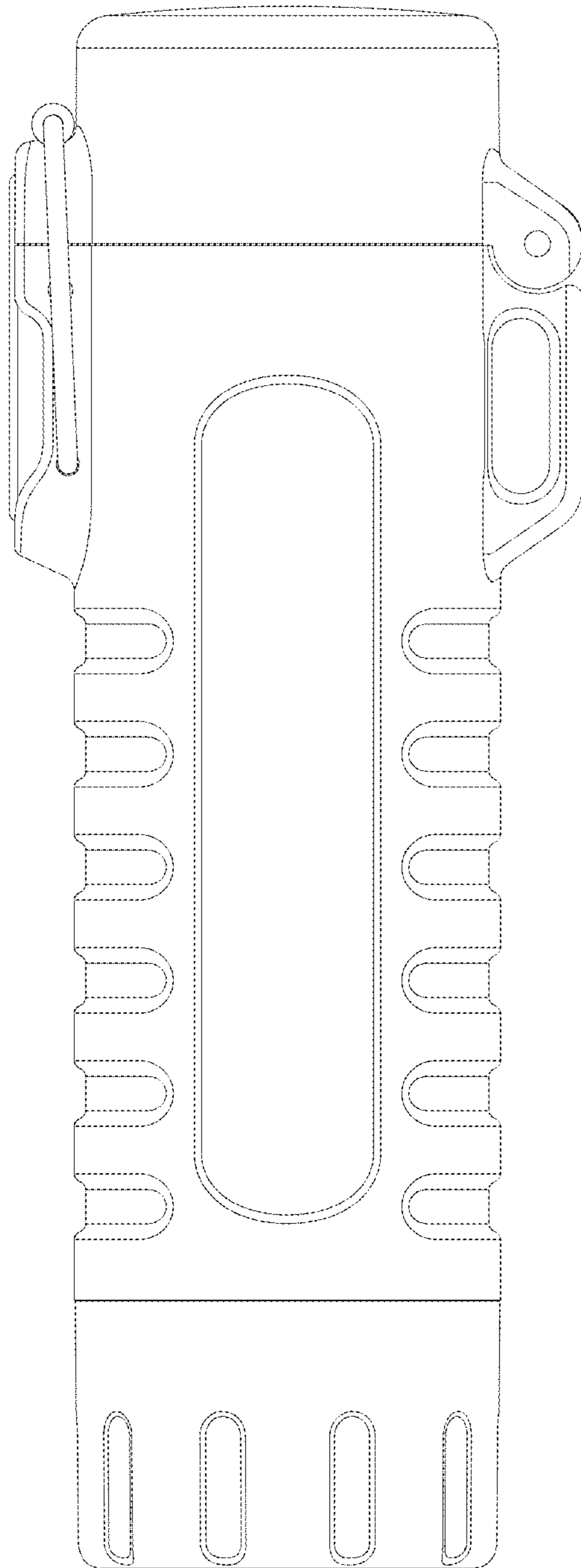


FIG. 2

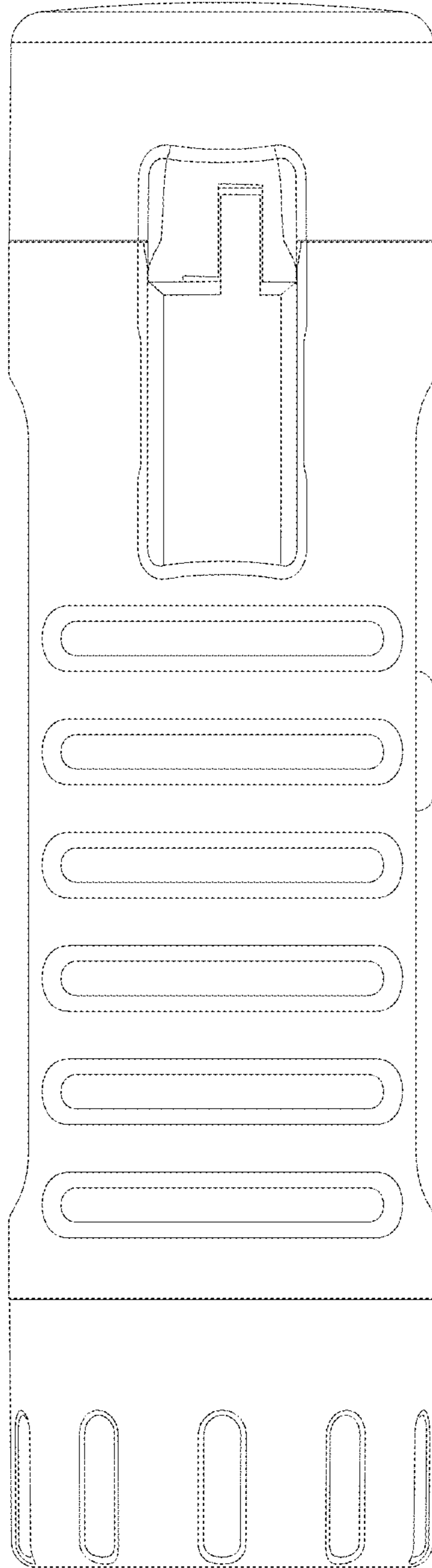


FIG. 3

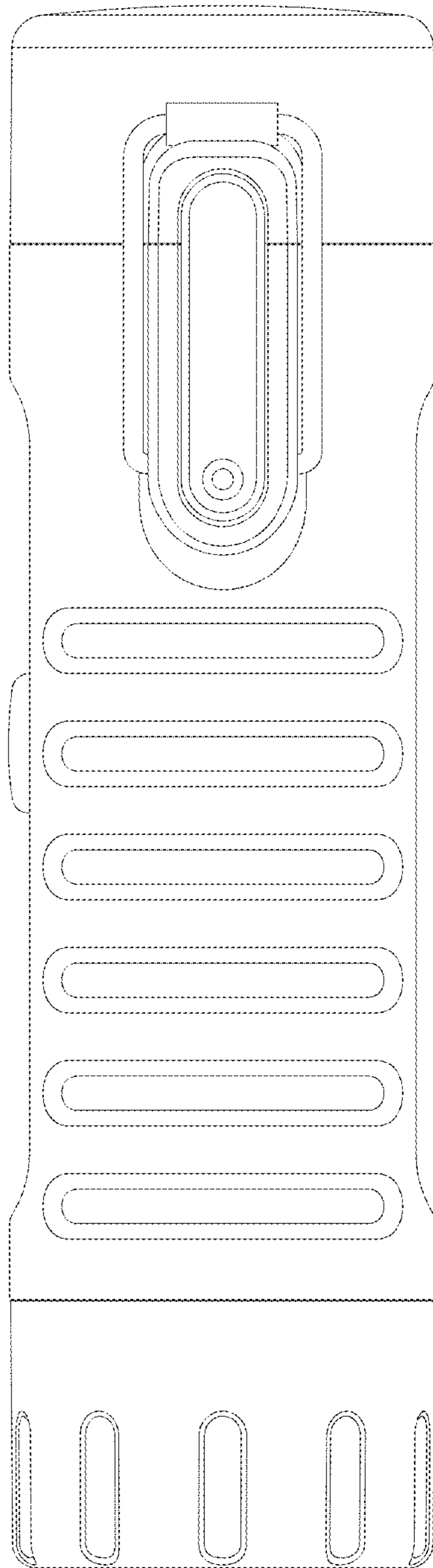


FIG. 4

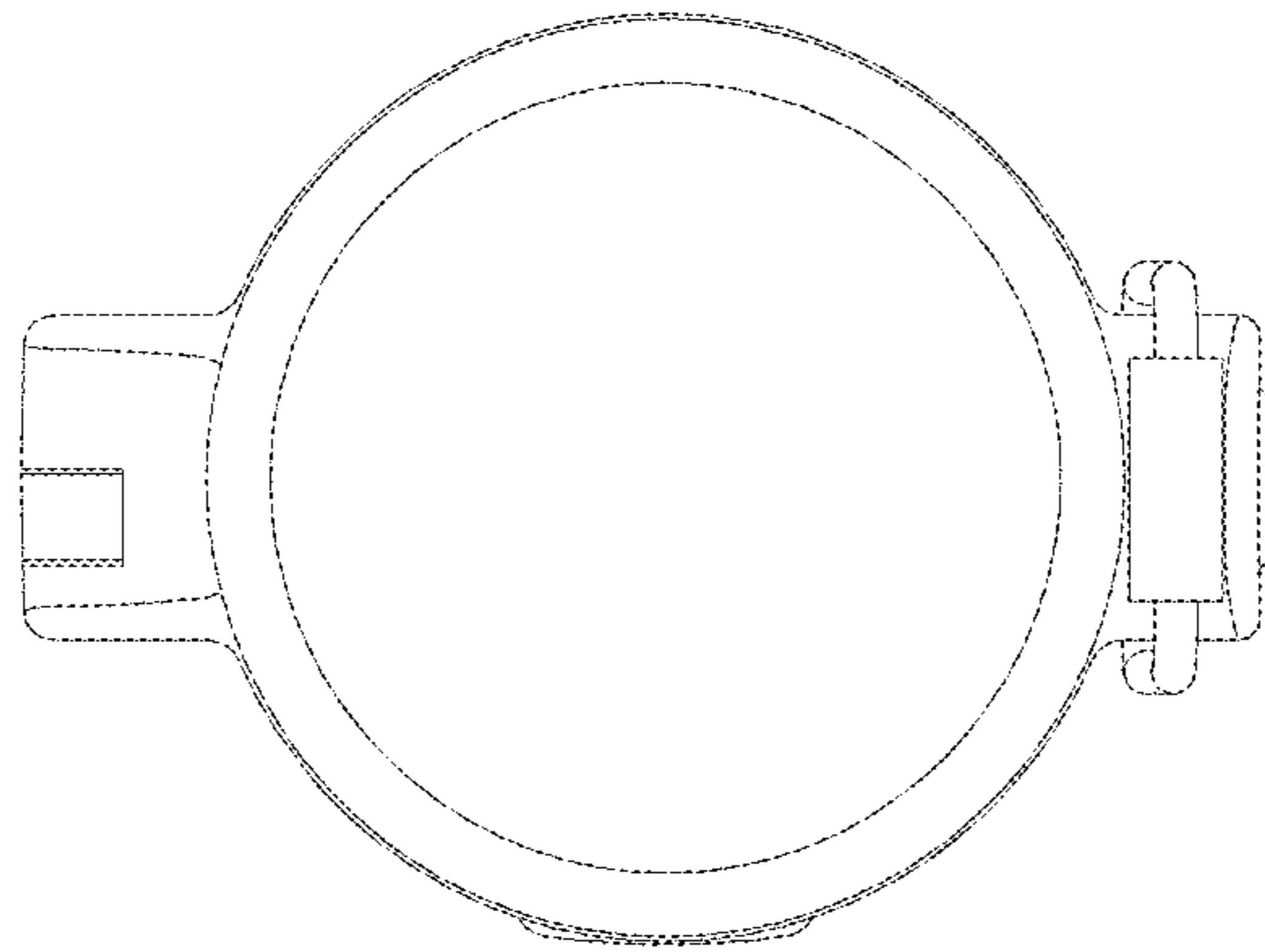


FIG. 5

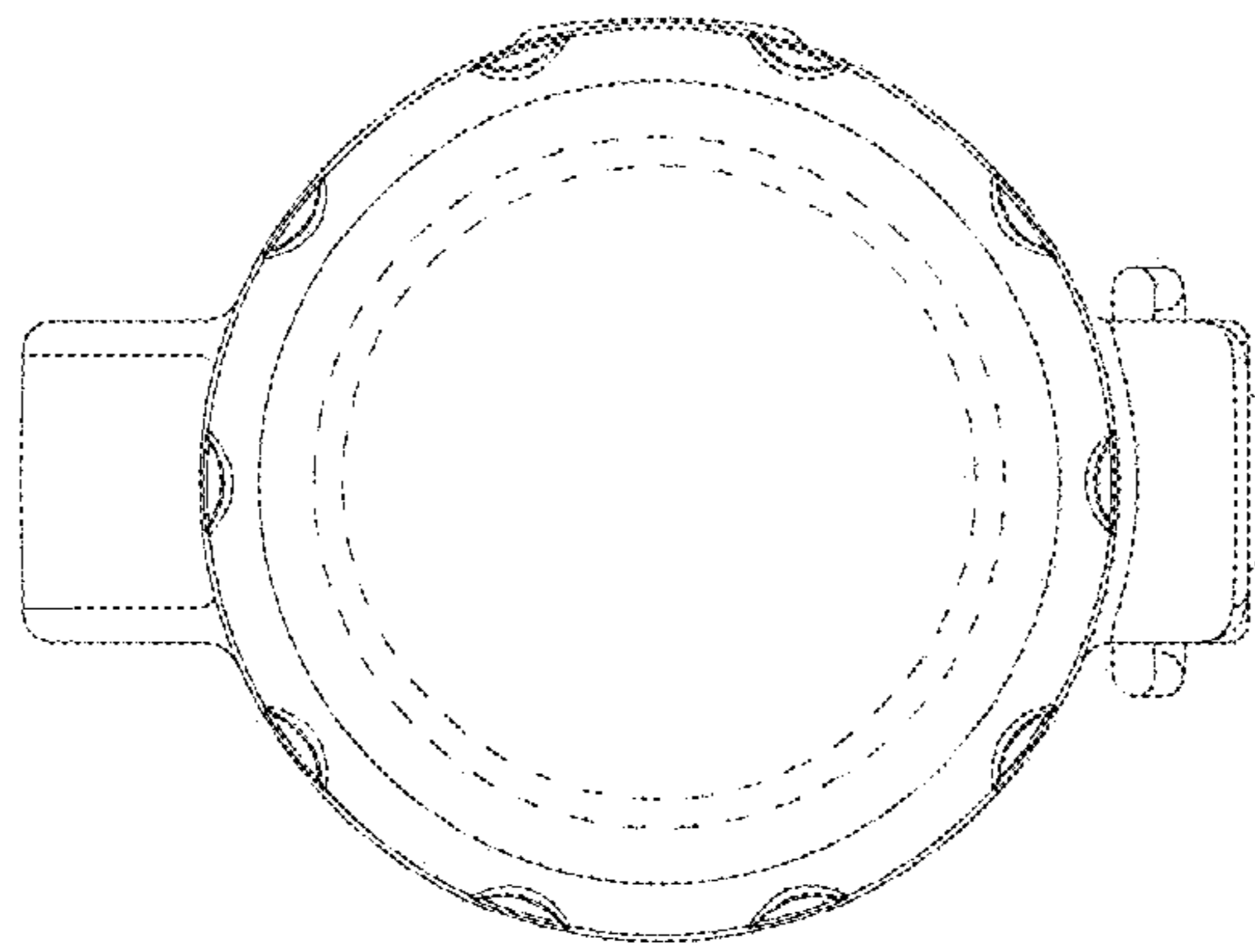


FIG. 6

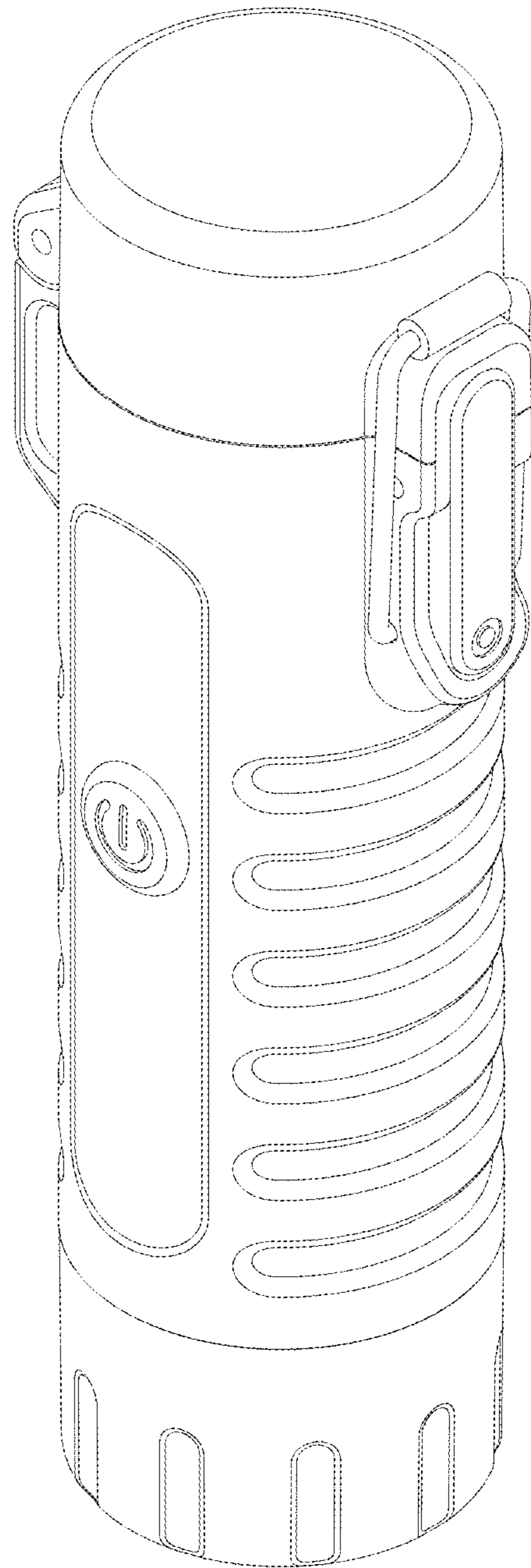


FIG. 7

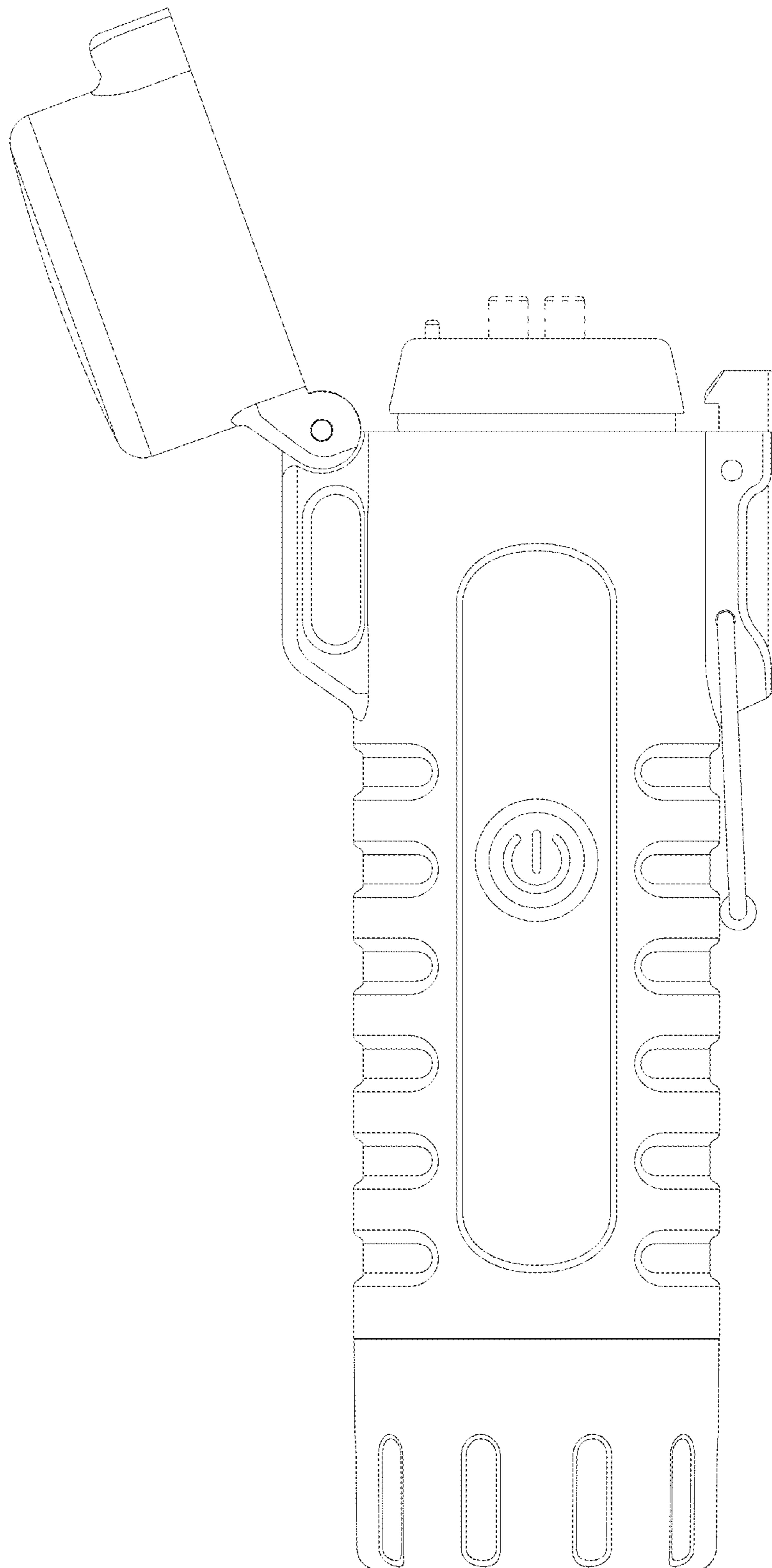


FIG. 8

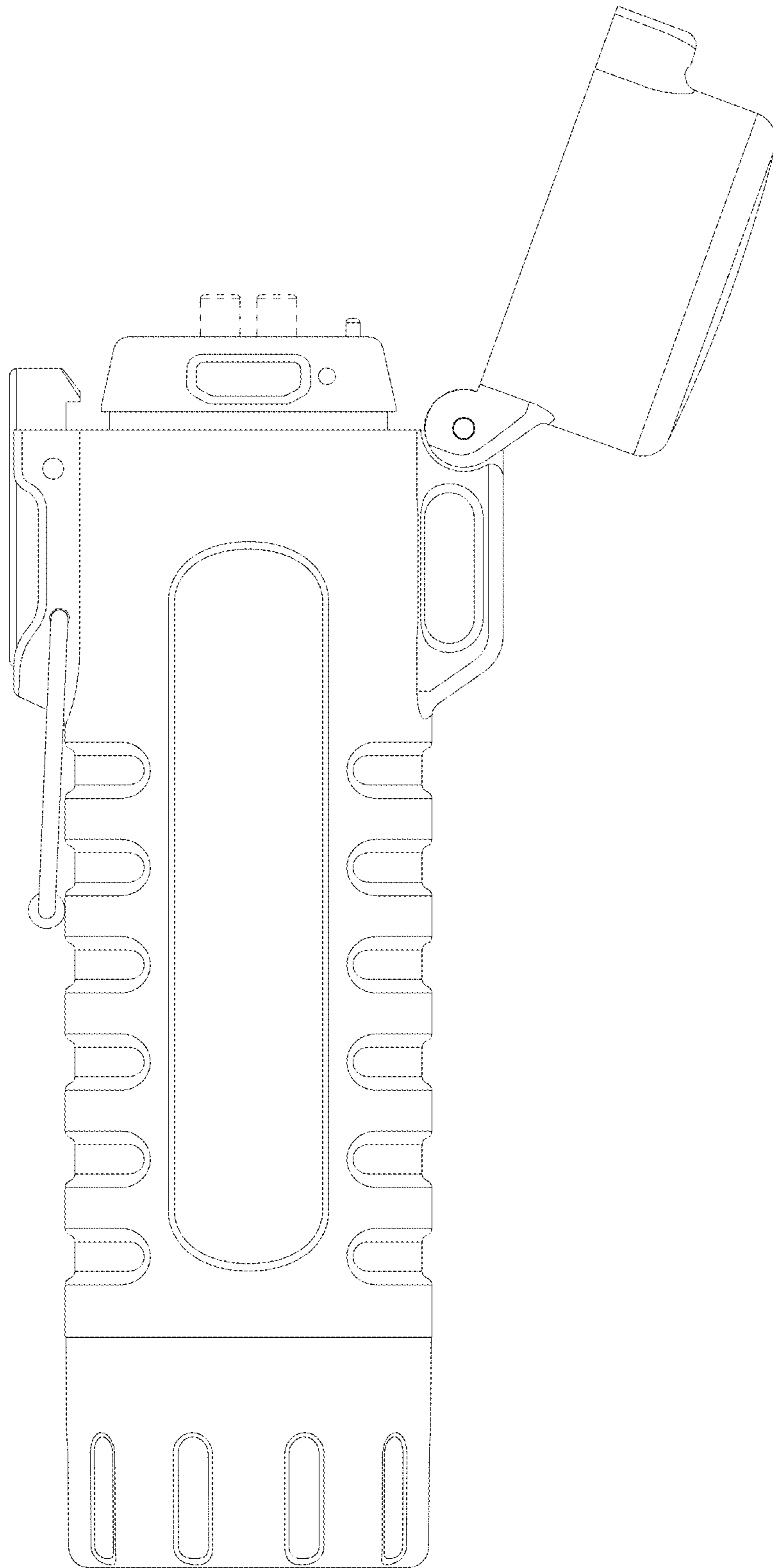


FIG. 9

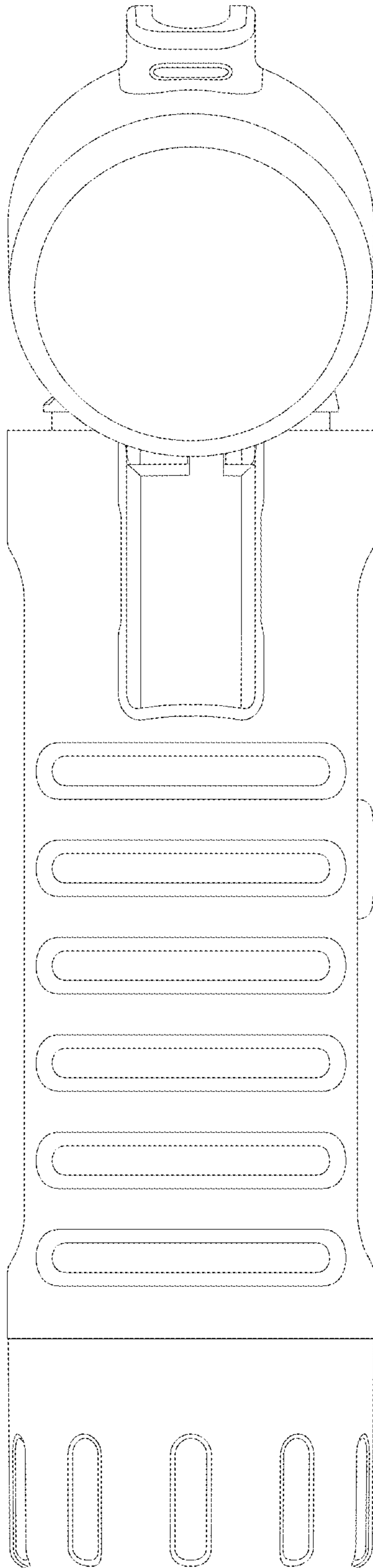


FIG. 10

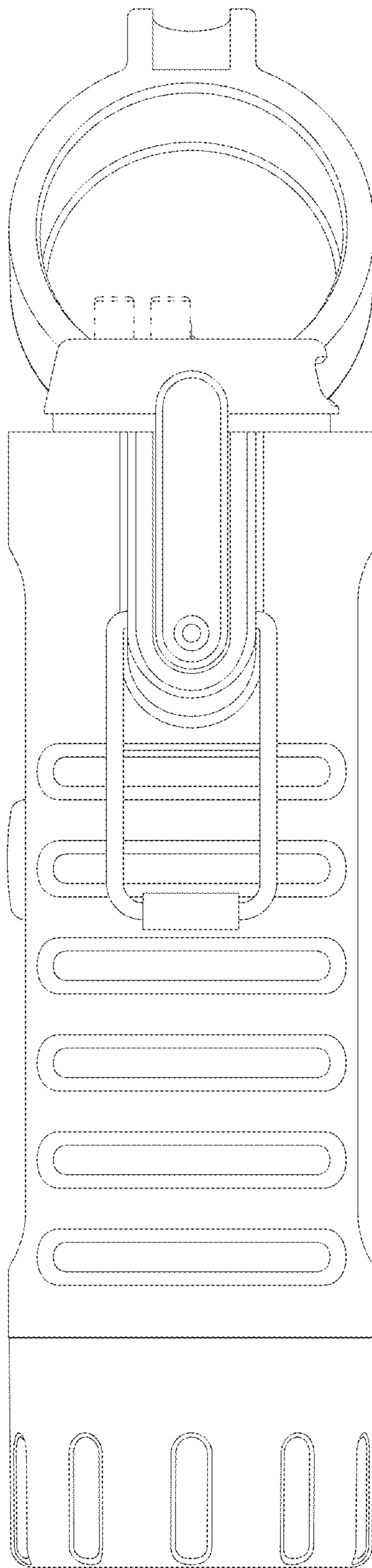


FIG. 11

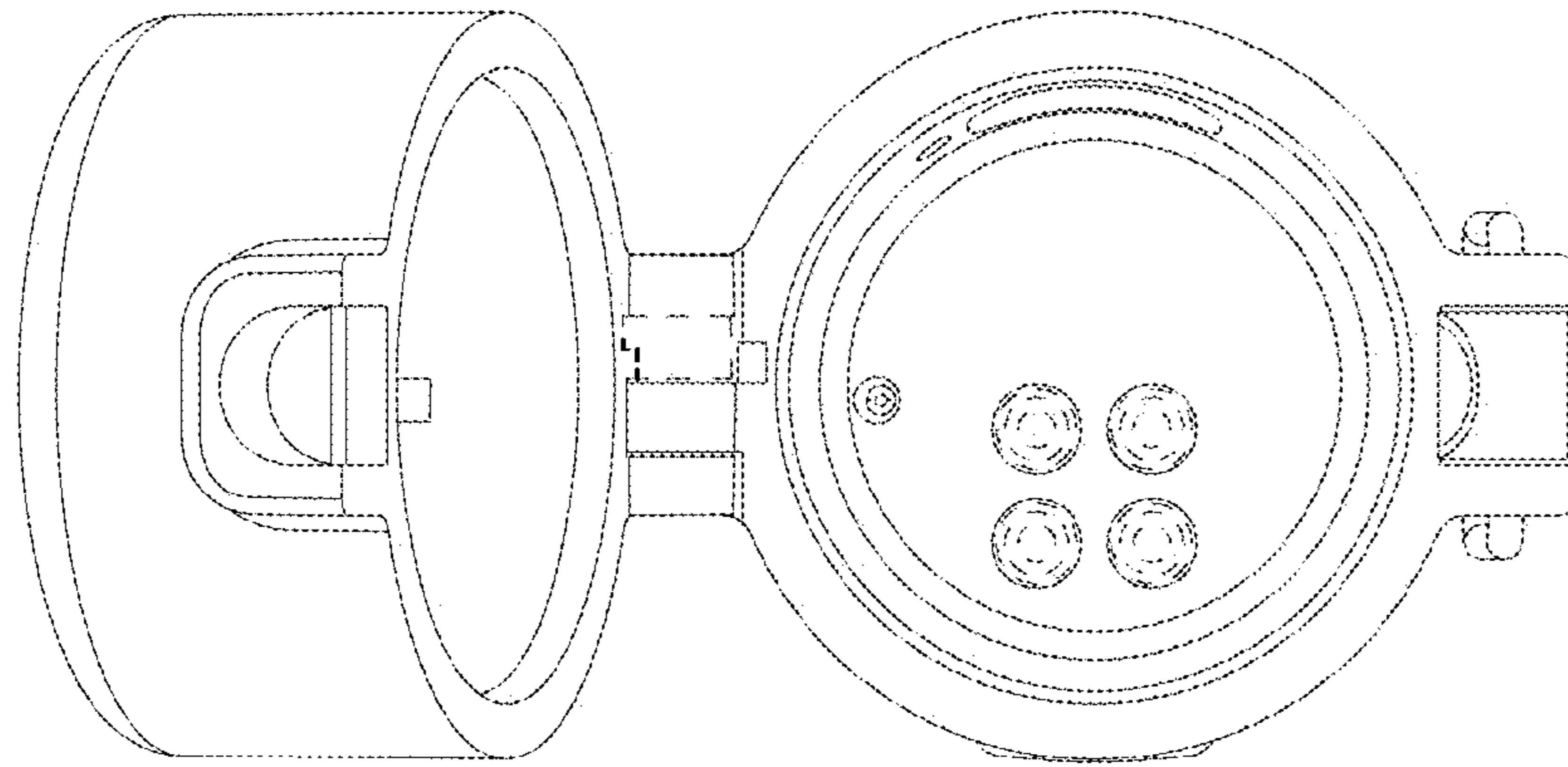


FIG. 12

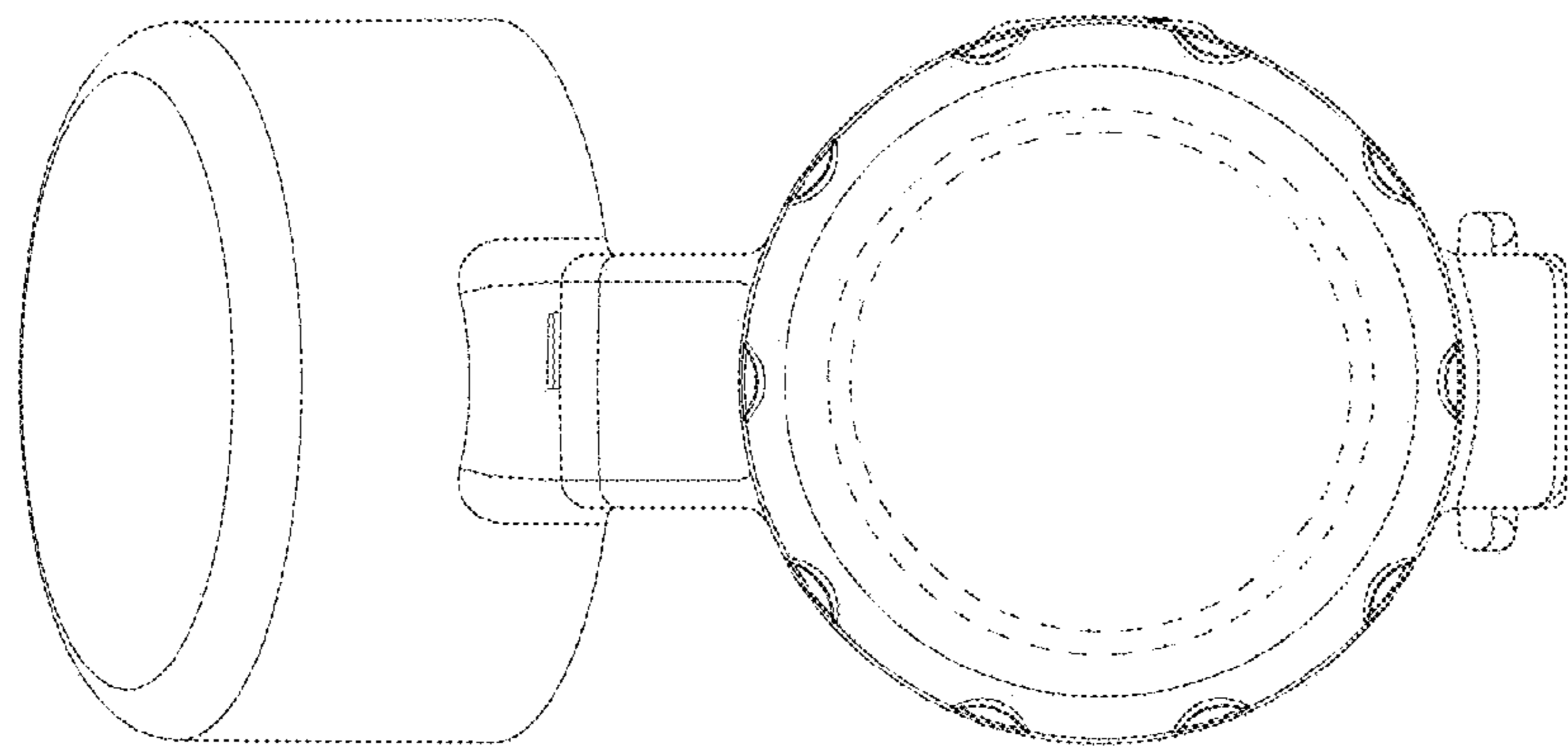


FIG. 13

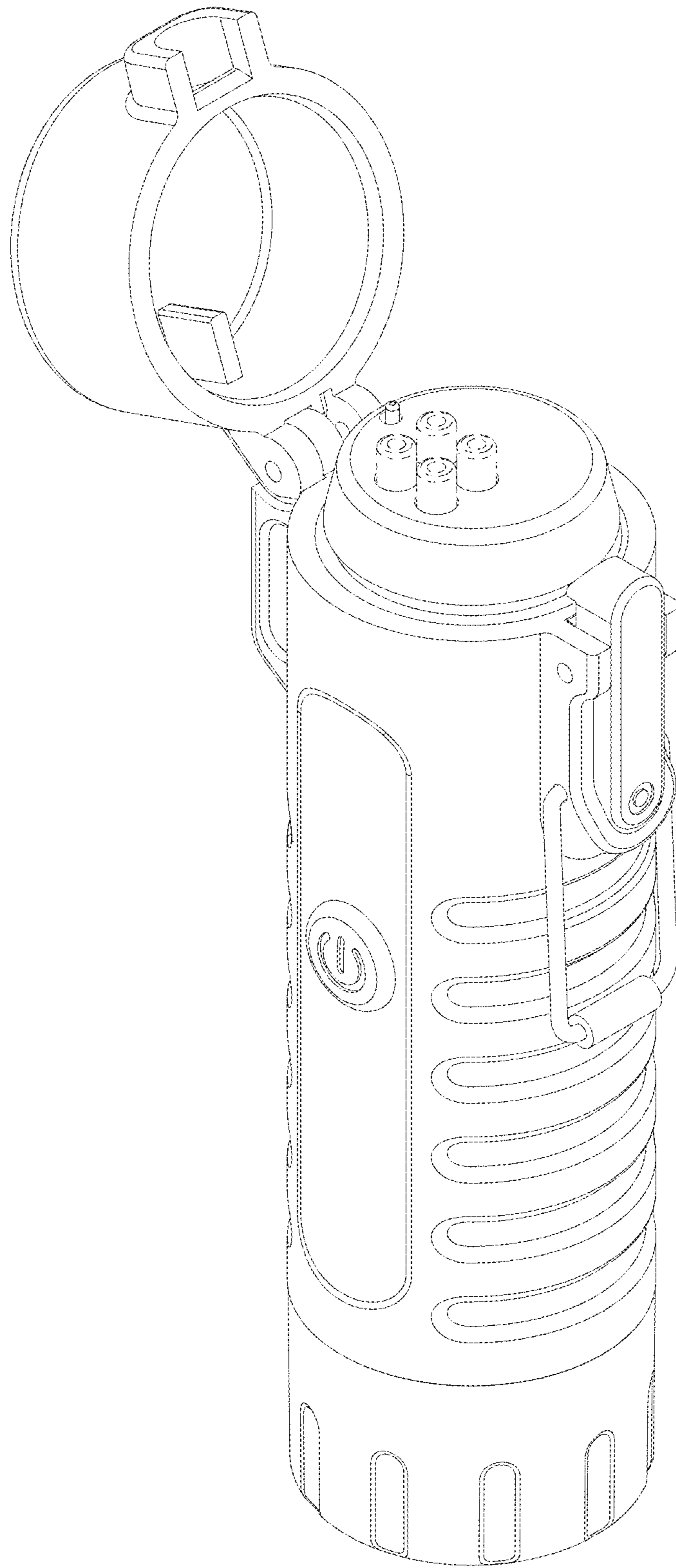


FIG. 14