



US00D943140S

(12) **United States Design Patent** (10) **Patent No.:** **US D943,140 S**
Rotenberg et al. (45) **Date of Patent:** **** Feb. 8, 2022**

(54) **ORB LIGHT FIXTURE**
(71) Applicant: **HORIZON GLOBAL AMERICAS INC.**, Plymouth, MI (US)
(72) Inventors: **Gregory Y. Rotenberg**, Highland Heights, OH (US); **Theodore Joseph Siegel**, Mayfield Heights, OH (US); **Eric Michael Yukich**, Stow, OH (US)

D617,485 S 6/2010 Hamilton
D622,443 S * 8/2010 Huang D26/142
D628,739 S * 12/2010 Lu D26/113
D632,839 S * 2/2011 Kim D26/138
D641,517 S * 7/2011 Sprengers D26/89
D664,708 S 7/2012 Toft
D702,279 S 4/2014 Zhan
D710,049 S 7/2014 Haws

(Continued)

(73) Assignee: **HORIZON GLOBAL AMERICAS INC.**, Plymouth, MI (US)
(**) Term: **15 Years**

FOREIGN PATENT DOCUMENTS

WO WO 2005/074360 8/2005
WO WO 2015154143 10/2015

(21) Appl. No.: **29/656,434**
(22) Filed: **Jul. 12, 2018**

OTHER PUBLICATIONS

International Searching Authority European Patent Office, International Search Report and Written Opinion for PCT/U52017/038995 dated Sep. 4, 2017.

Related U.S. Application Data

(62) Division of application No. 29/583,220, filed on Nov. 3, 2016, now Pat. No. Des. 825,833.

Primary Examiner — Natasha Vujcic

(74) *Attorney, Agent, or Firm* — McDonald Hopkins LLC

(51) **LOC (13) Cl.** **26-05**
(52) **U.S. Cl.**
USPC **D26/142**

(57) **CLAIM**

The ornamental design for an orb light fixture, as shown and described.

(58) **Field of Classification Search**
USPC D26/76, 78, 79, 80, 81, 82, 83, 85, 86, D26/88, 90, 113, 118, 119, 120, 121, 122, D26/138, 139, 140, 141, 142, 152
CPC F21S 2/00; F21S 4/00; F21S 4/003; F21S 4/005; F21S 4/006; F21S 4/007; F21S 4/008; F21S 6/00; F21S 8/00; F21S 8/024; F21S 8/026; F21S 8/031; F21S 8/033; F21S 8/035-037; F21S 8/04; F21S 8/043; F21S 8/063
See application file for complete search history.

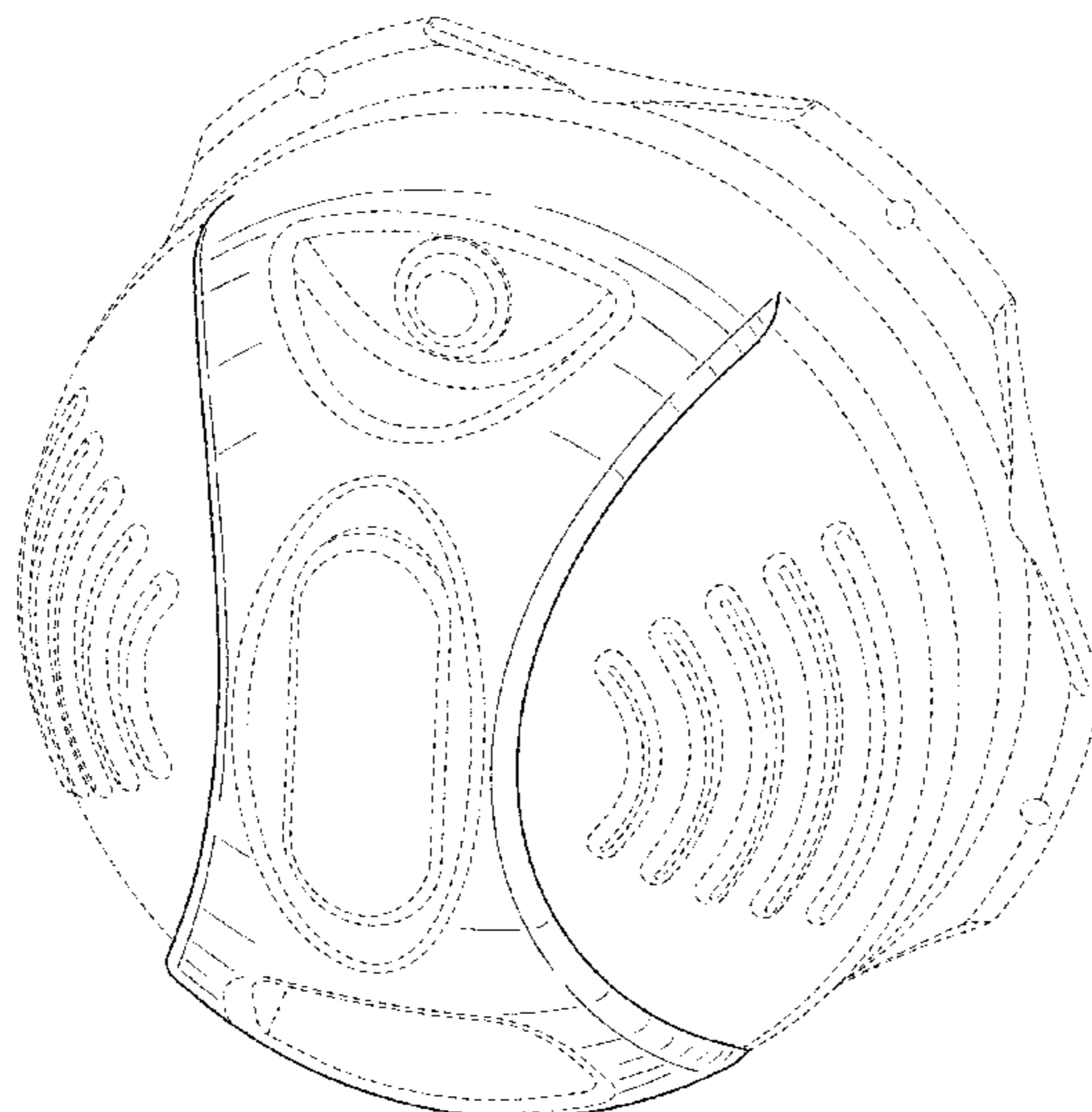
DESCRIPTION

FIG. 1 is a perspective view of an orb light fixture showing our new design;
FIG. 2 is a top view thereof;
FIG. 3 is a bottom view thereof;
FIG. 4 is a first side view thereof;
FIG. 5 is a second side view thereof;
FIG. 6 is a front view thereof;
FIG. 7 is a back view thereof;
FIG. 8 is a bottom perspective view thereof; and,
FIG. 9 is a perspective view thereof.
The broken lines in the figures are included for the purpose of illustrating portions of an orb light fixture and form no part of the claimed design.

(56) **References Cited**
U.S. PATENT DOCUMENTS

D32,793 S 6/1900 Fauber
D536,473 S * 2/2007 Tan D26/93

1 Claim, 7 Drawing Sheets



(56)

References Cited

U.S. PATENT DOCUMENTS

D710,050	S	7/2014	Haws	
D710,051	S	7/2014	Haws	
D741,539	S	10/2015	Gettings	
D745,210	S *	12/2015	Serwacki	D26/138
D757,991	S *	5/2016	Intelisano	D26/118
D758,561	S	6/2016	Dolan	
D770,673	S *	11/2016	Hasan	D26/138
D773,717	S	12/2016	Amato	
D796,733	S *	9/2017	LaDuca	D26/138
D800,944	S	10/2017	Sonneman	
D830,612	S *	10/2018	Boissevain	D26/89
D836,811	S *	12/2018	Shundong	D26/67
D837,443	S *	1/2019	Slaatto	D26/118
D879,341	S *	3/2020	Kassin	D26/37
D884,262	S *	5/2020	Rotenberg	D26/142
D890,411	S *	7/2020	Bai	D26/138
D891,675	S *	7/2020	Liu	D26/85
D893,785	S *	8/2020	Wu	D26/51
D907,284	S *	1/2021	Danesh	F21S 8/02 D26/138
D915,655	S *	4/2021	Liu	D26/74
2005/0265035	A1	12/2005	Brass	
2007/0236931	A1	10/2007	Chien	
2015/0146416	A1	5/2015	Watson	

* cited by examiner

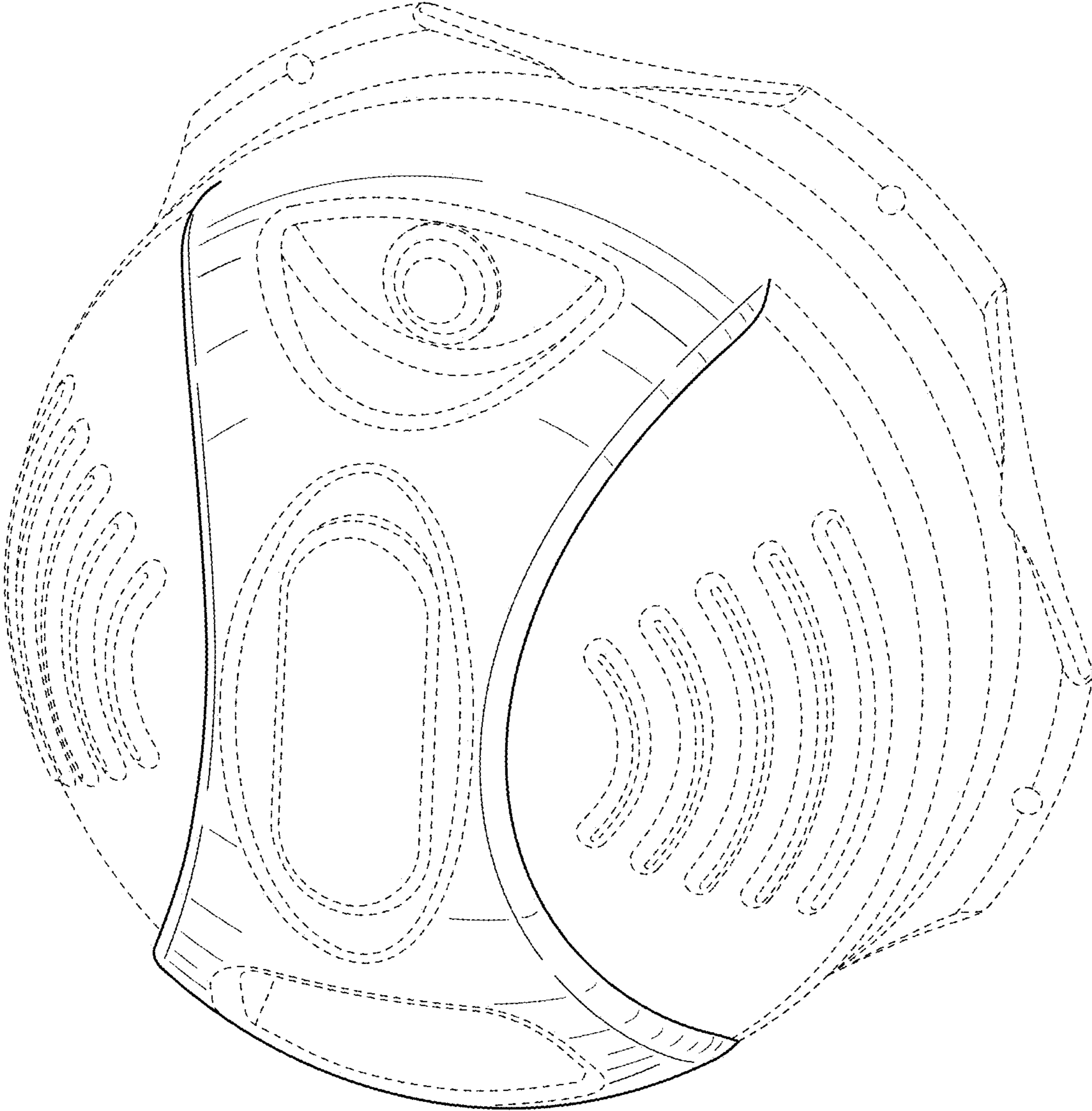


FIG. 1

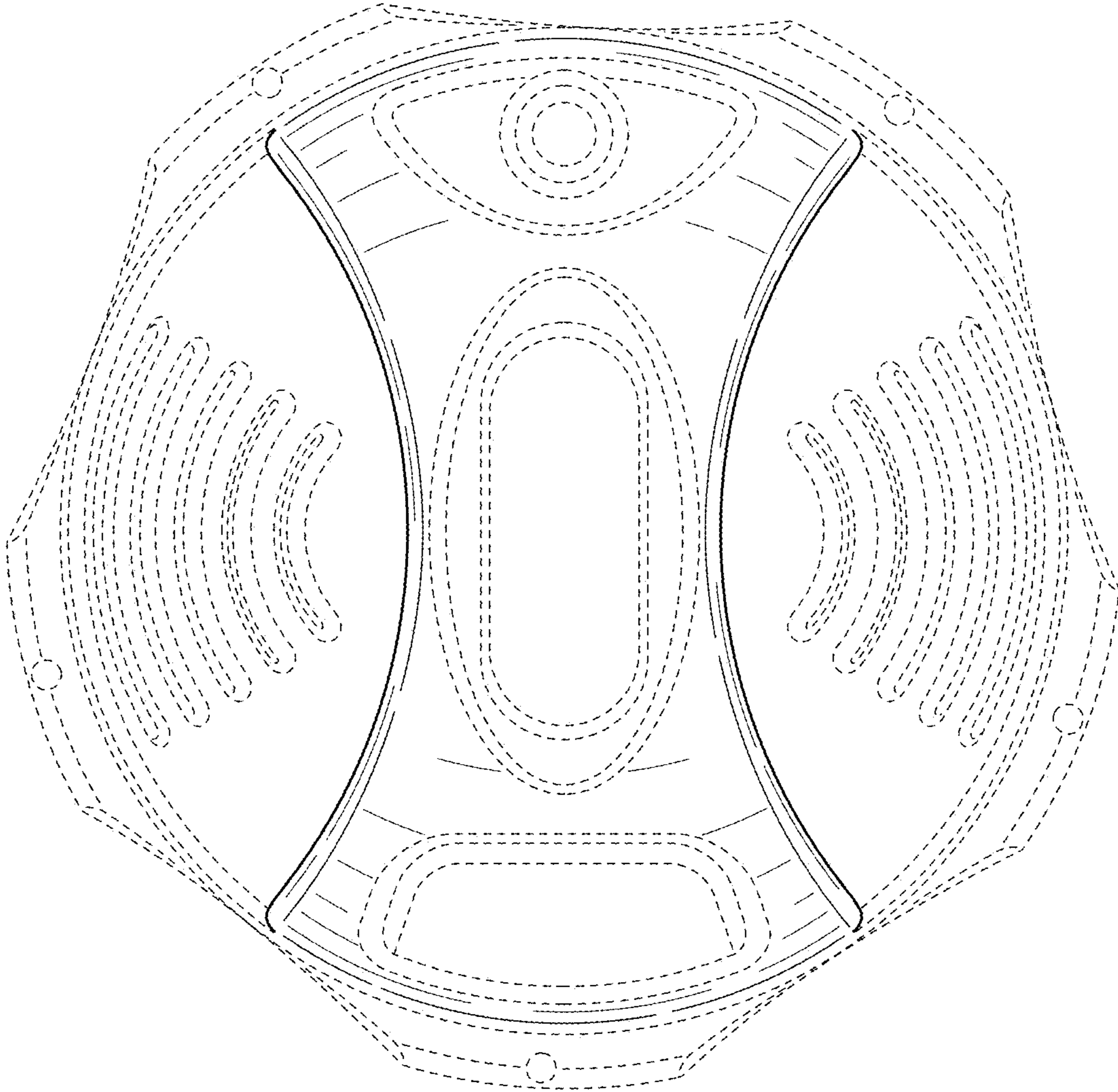


FIG. 2

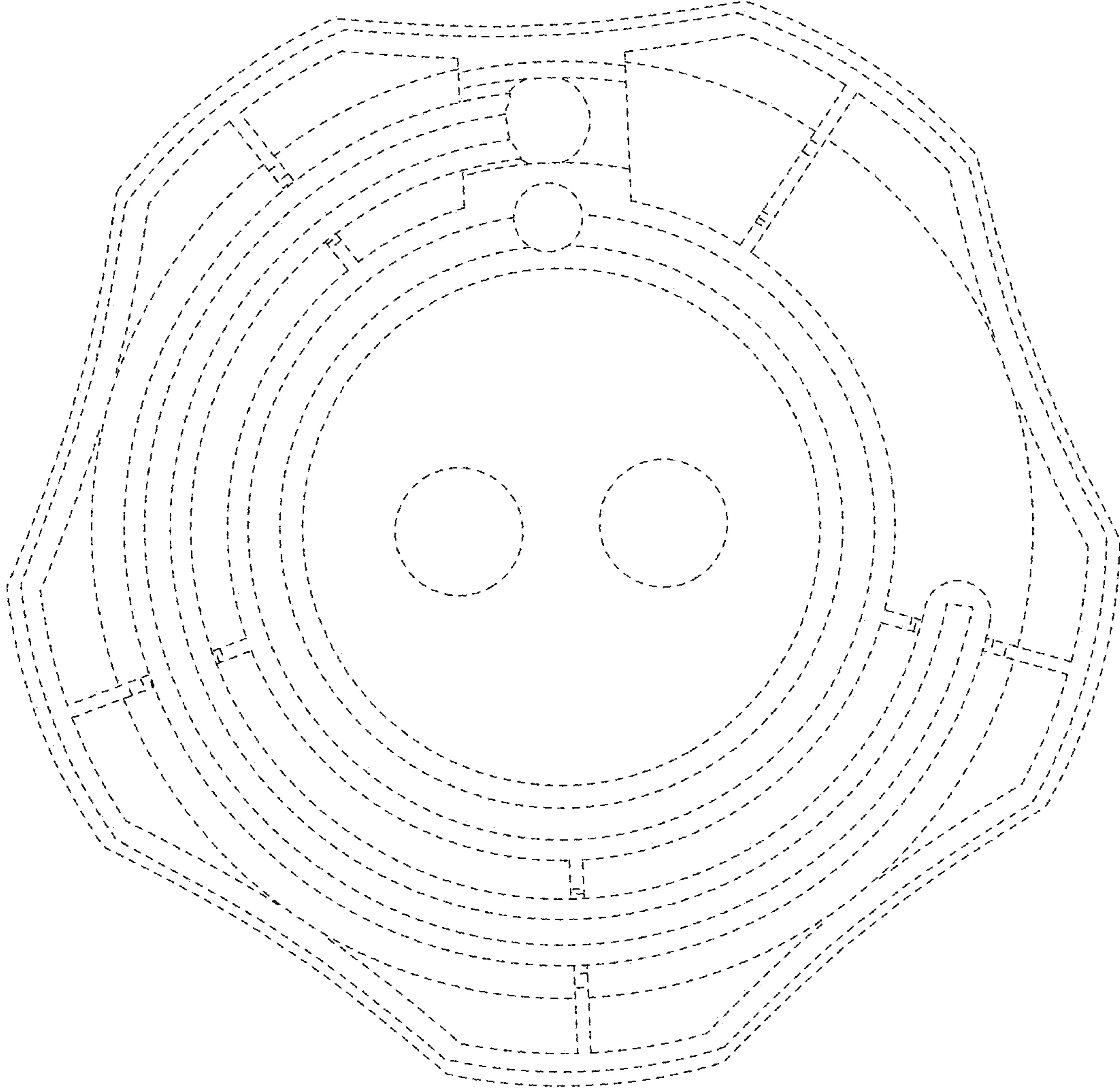


FIG. 3

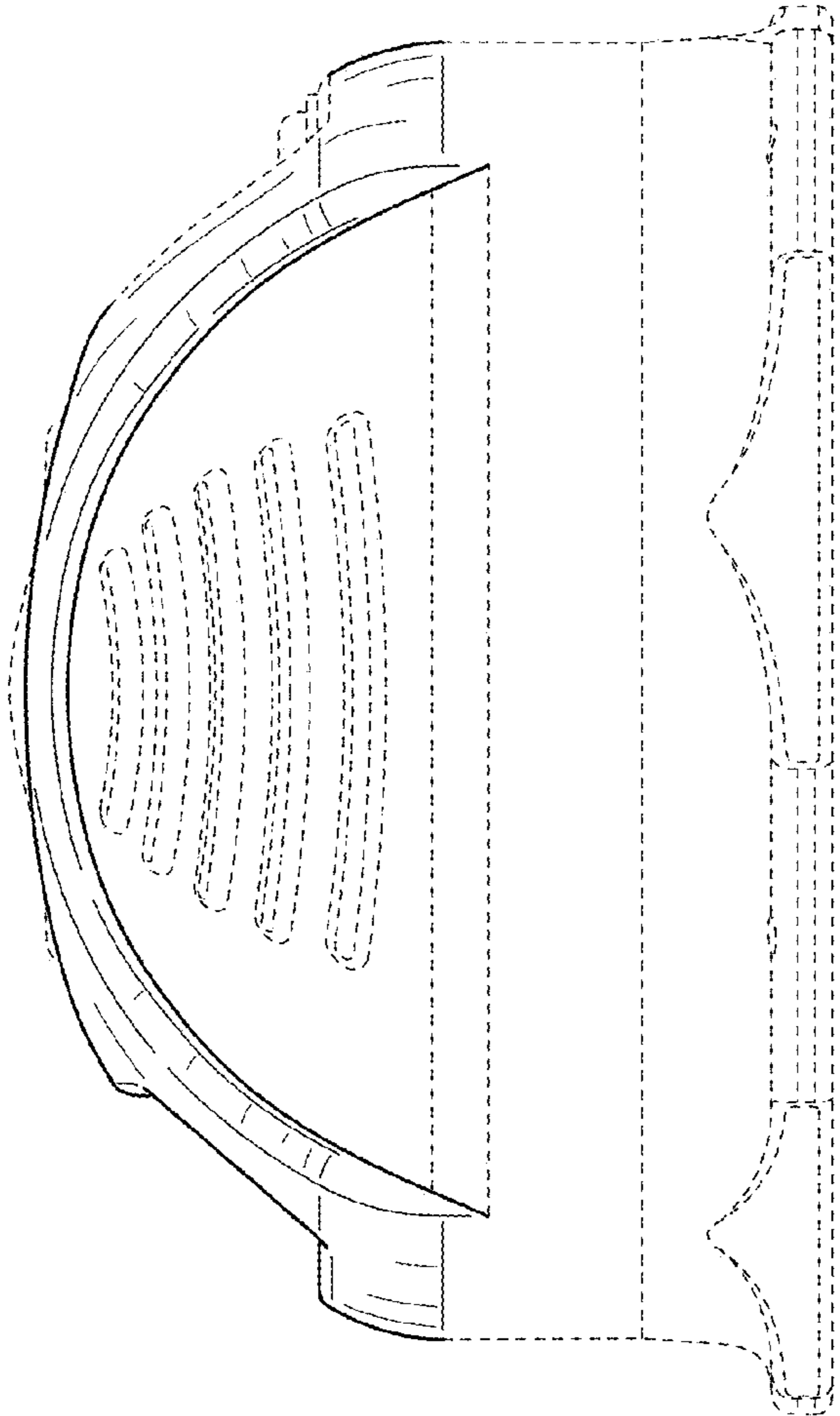


FIG. 4

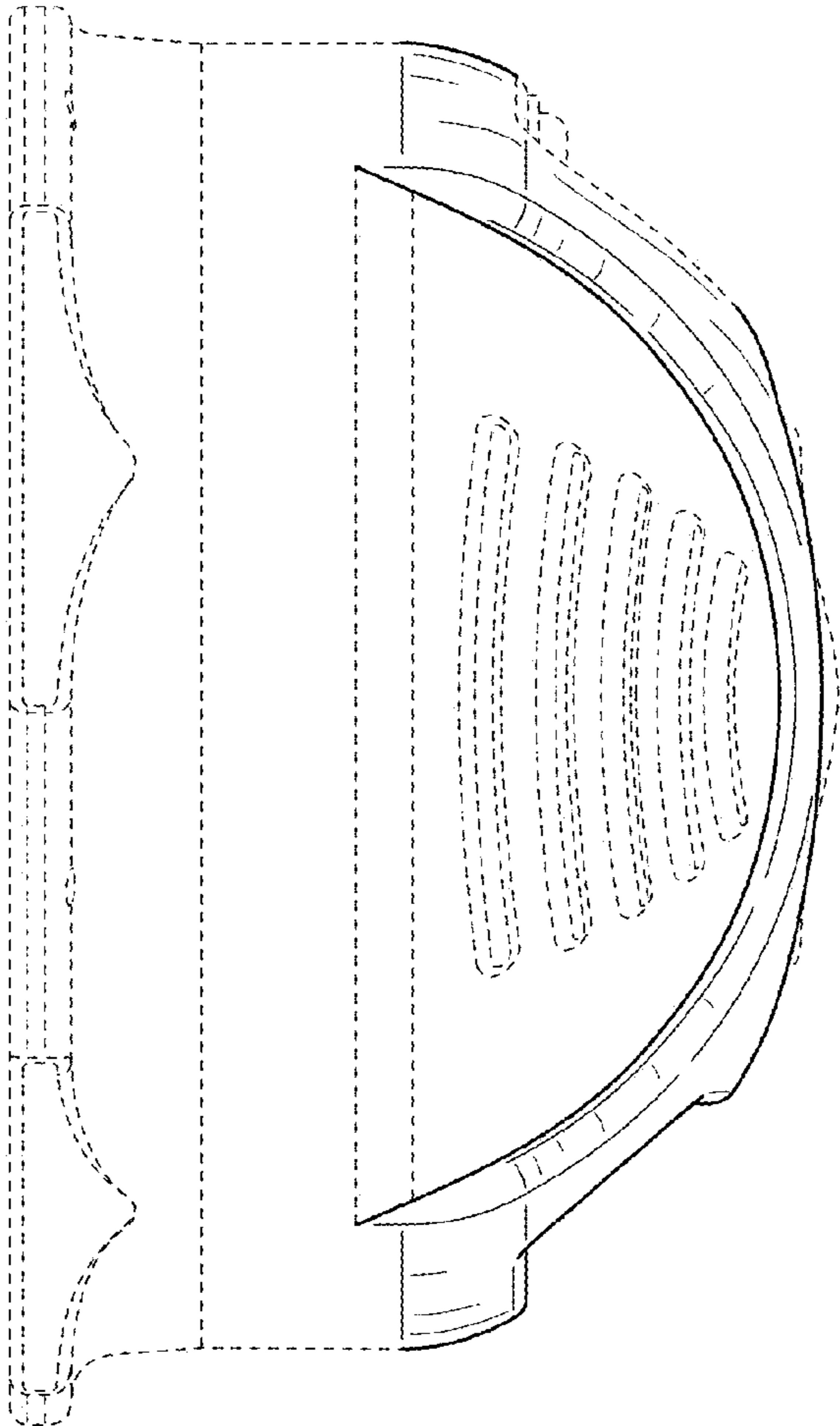


FIG. 5

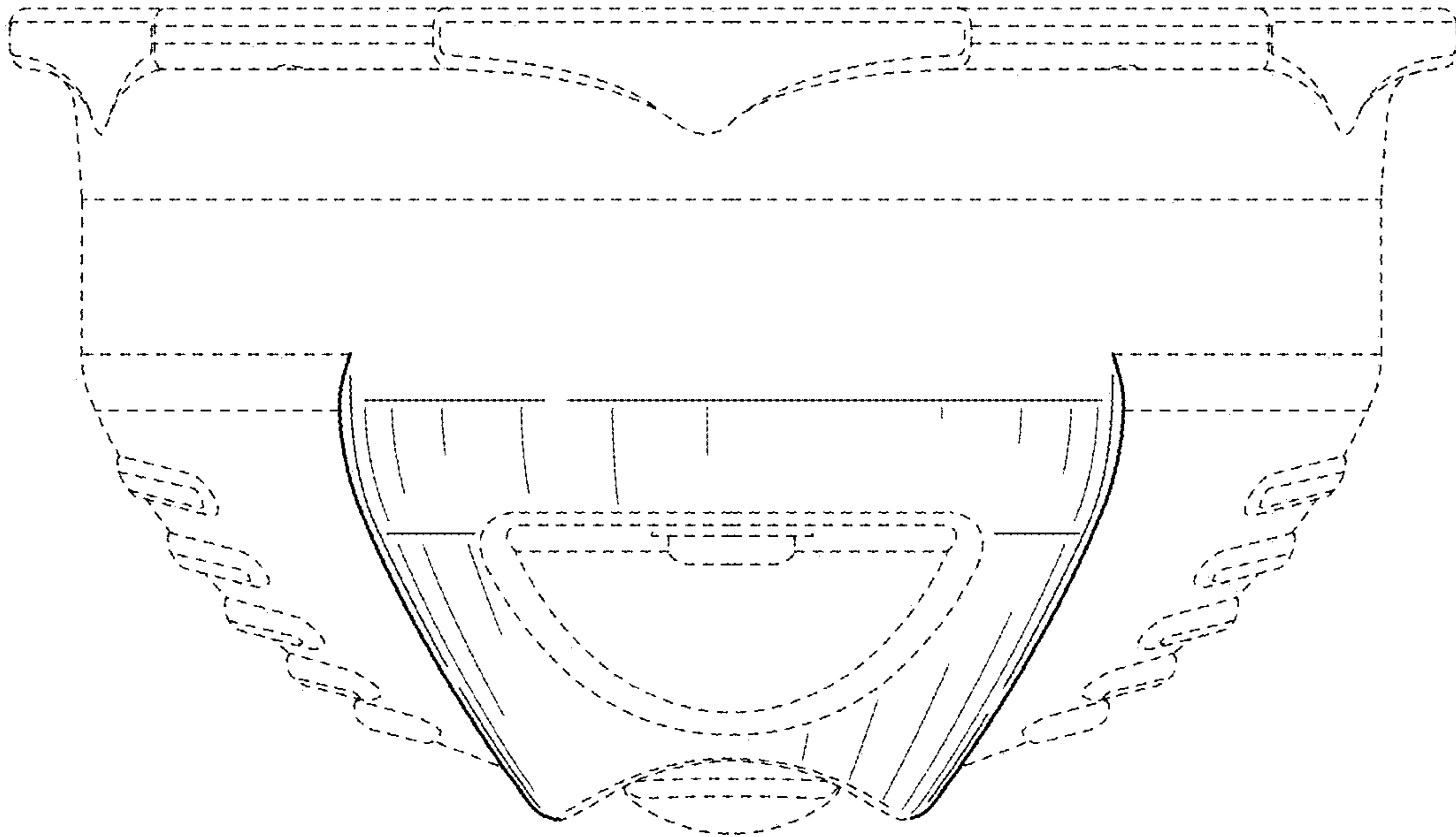


FIG. 6

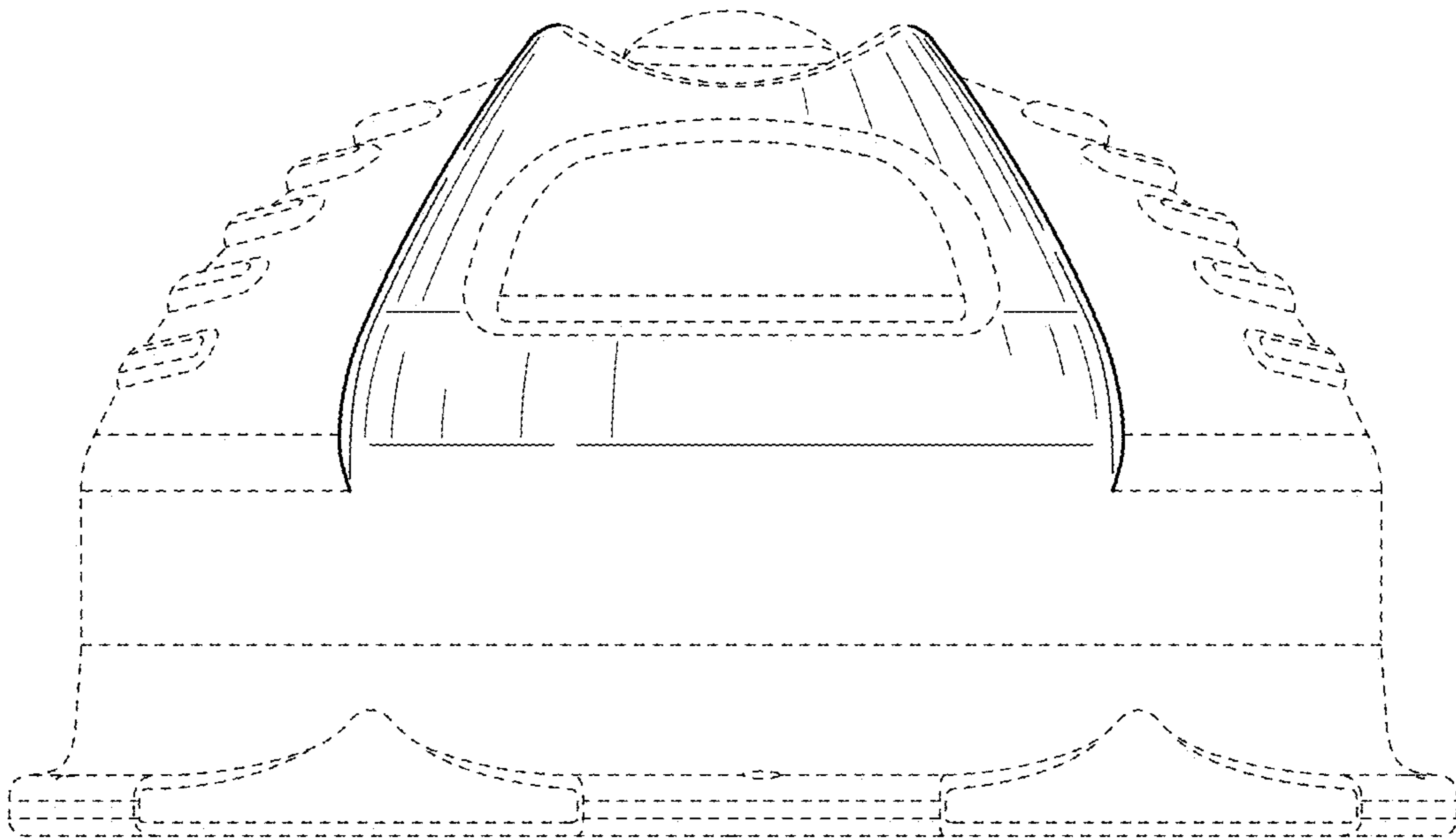


FIG. 7

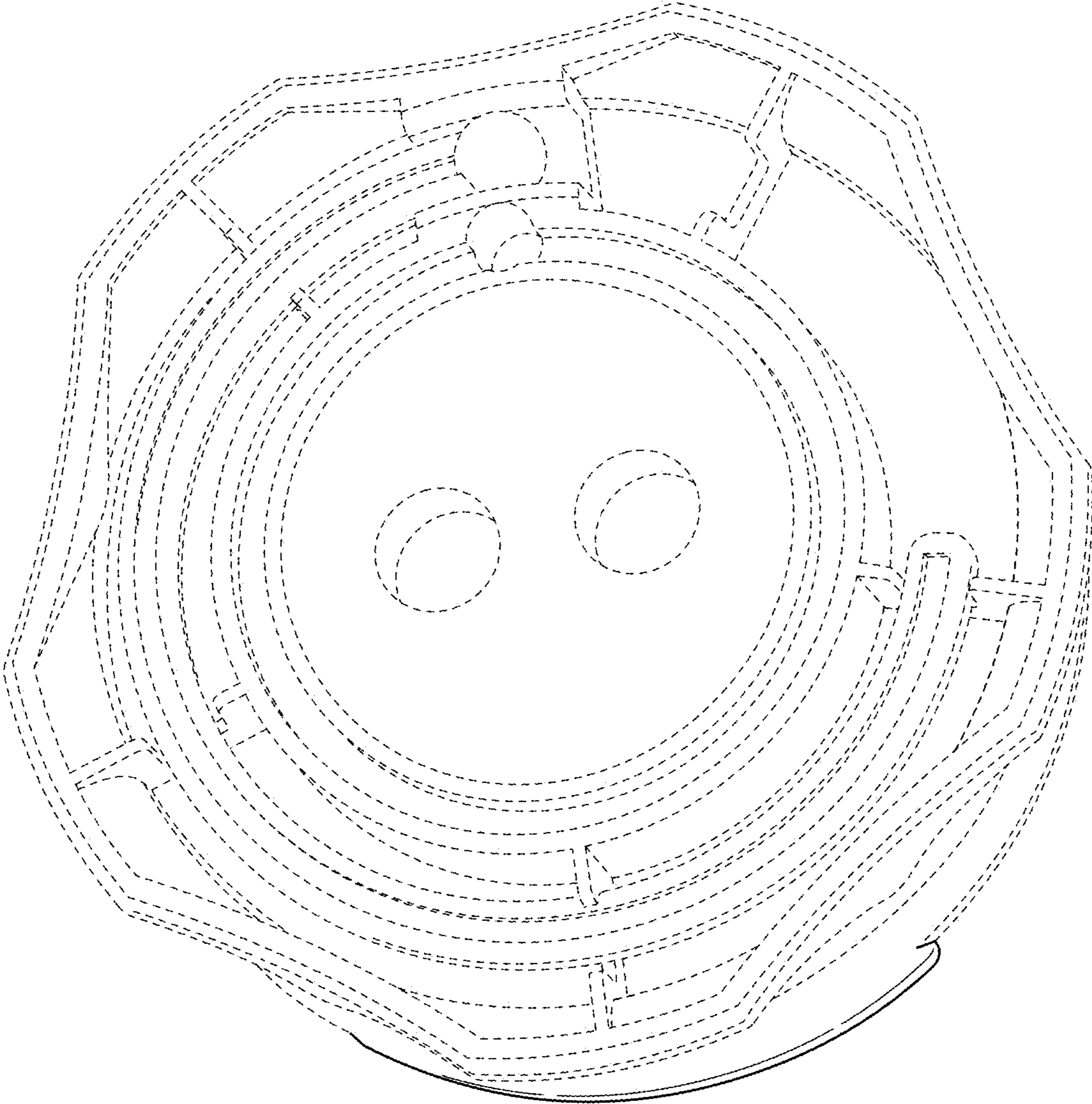


FIG. 8

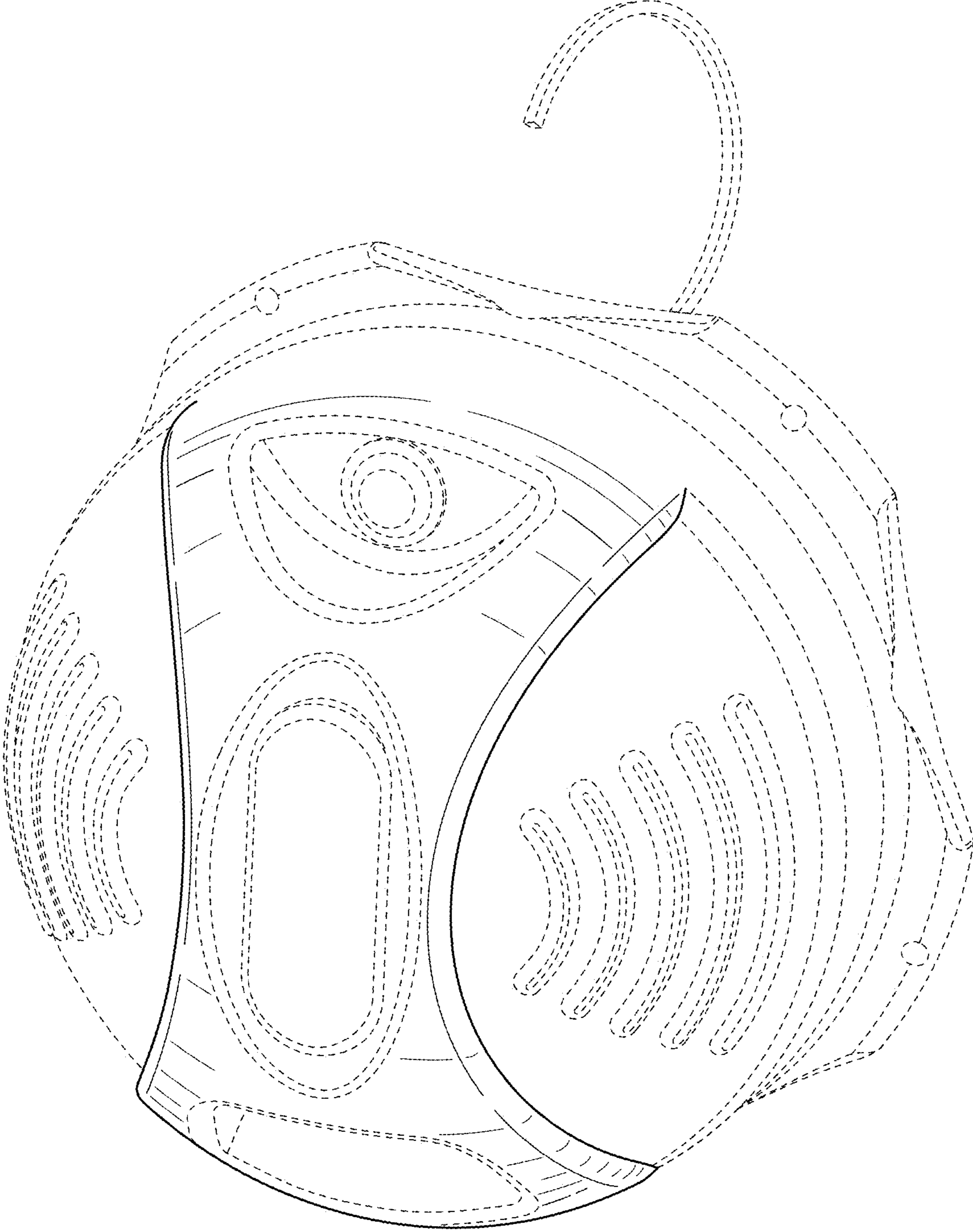


FIG. 9