

US00D943139S

(12) **United States Design Patent** (10) **Patent No.:** **US D943,139 S**  
**Roberson** (45) **Date of Patent:** **\*\* Feb. 8, 2022**

(54) **SIDE FLASHLIGHT MOUNT**  
(71) Applicant: **Arisaka LLC**, Apex, NC (US)  
(72) Inventor: **William Roberson**, Apex, NC (US)  
(73) Assignee: **ARISAKA LLC**, Apex, NC (US)  
(\*\*) Term: **15 Years**  
(21) Appl. No.: **29/722,247**  
(22) Filed: **Jan. 28, 2020**  
(51) **LOC (13) Cl.** ..... **26-05**  
(52) **U.S. Cl.**  
USPC ..... **D26/138**  
(58) **Field of Classification Search**  
USPC ..... D26/24, 26, 28, 37-52, 56, 60-64,  
D26/66-68, 72, 113, 118-119, 138,  
D26/140-142; D22/108, 104, 107, 100,  
D22/101  
See application file for complete search history.

(56) **References Cited**

**U.S. PATENT DOCUMENTS**

D659,220	S	*	5/2012	Foltz	.....	D22/108
D697,666	S	*	1/2014	Grote, Jr.	.....	D26/142
9,039,228	B1	*	5/2015	McCorkle	.....	F21V 21/0885 362/191
D766,495	S	*	9/2016	Eitan	.....	D26/113
D804,285	S	*	12/2017	Rock	.....	D8/349
D804,286	S	*	12/2017	Rock	.....	D8/349
D806,199	S	*	12/2017	Roberson	.....	D22/108
D901,754	S	*	11/2020	Roys	.....	D26/138
D903,188	S	*	11/2020	Kruger	.....	D26/138
D908,275	S	*	1/2021	Galli	.....	D26/138
D924,468	S	*	7/2021	Huang	.....	D26/138
2005/0254238	A1	*	11/2005	Parker	.....	F21V 21/0885 362/191

2010/0157581	A1	*	6/2010	Galli	.....	F21L 4/027 362/158
2016/0320160	A1	*	11/2016	Zimmer	.....	F41G 1/02
2021/0055078	A1	*	2/2021	Roberson	.....	F41G 11/003

**OTHER PUBLICATIONS**

Arisaka Defense Side Scout Mount Picatinny SSM-P Black. By Arisaka. Dated Feb. 2, 2019. Found online [Jun. 21, 2021]. <https://www.amazon.com/Arisaka-Defense-Scout-Mount-Picatinny/dp/B07NYVK6J8> (Year: 2019).\*

\* cited by examiner

*Primary Examiner* — Marissa J Cash

*Assistant Examiner* — William B Melliar

(74) *Attorney, Agent, or Firm* — Asgaard Patent Services, LLC; F. Wayne Thompson, Jr.

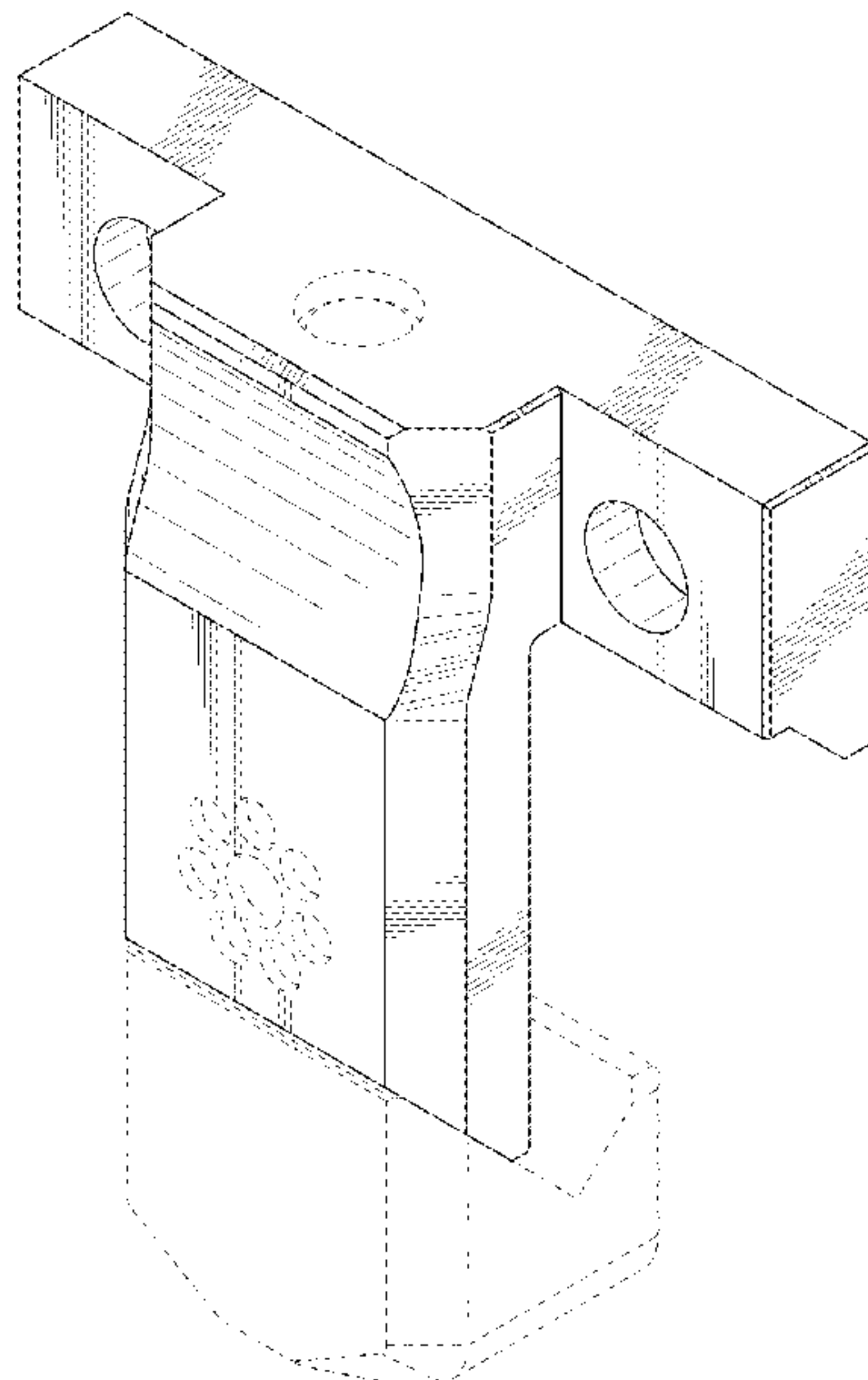
(57) **CLAIM**

The ornamental design for a side flashlight mount, as shown and described.

**DESCRIPTION**

FIG. 1 is a top isometric view of a side flashlight mount; FIG. 2 is a bottom isometric view of the side flashlight mount shown in FIG. 1; FIG. 3 is a front view of the side flashlight mount shown in FIG. 1; FIG. 4 is a right side view of the side flashlight mount shown in FIG. 1; FIG. 5 is a rear view of the side flashlight mount shown in FIG. 1; FIG. 6 is a left side view of the side flashlight mount shown in FIG. 1; FIG. 7 is a top view of the side flashlight mount shown in FIG. 1; and, FIG. 8 is a bottom view of the side flashlight mount shown in FIG. 1. The broken lines represent portions of the side flashlight mount that form no part of the claimed design.

**1 Claim, 6 Drawing Sheets**



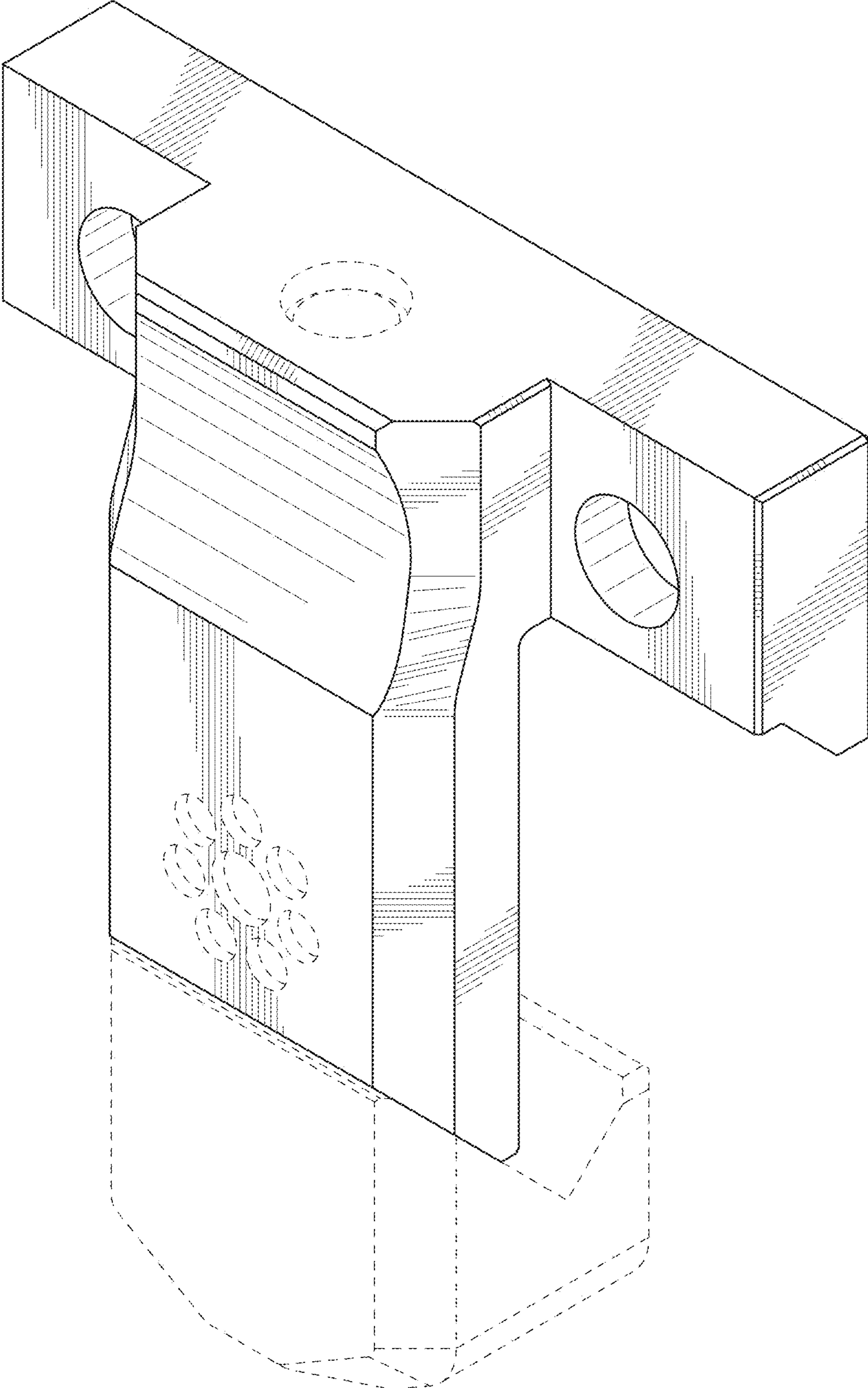


FIG. 1

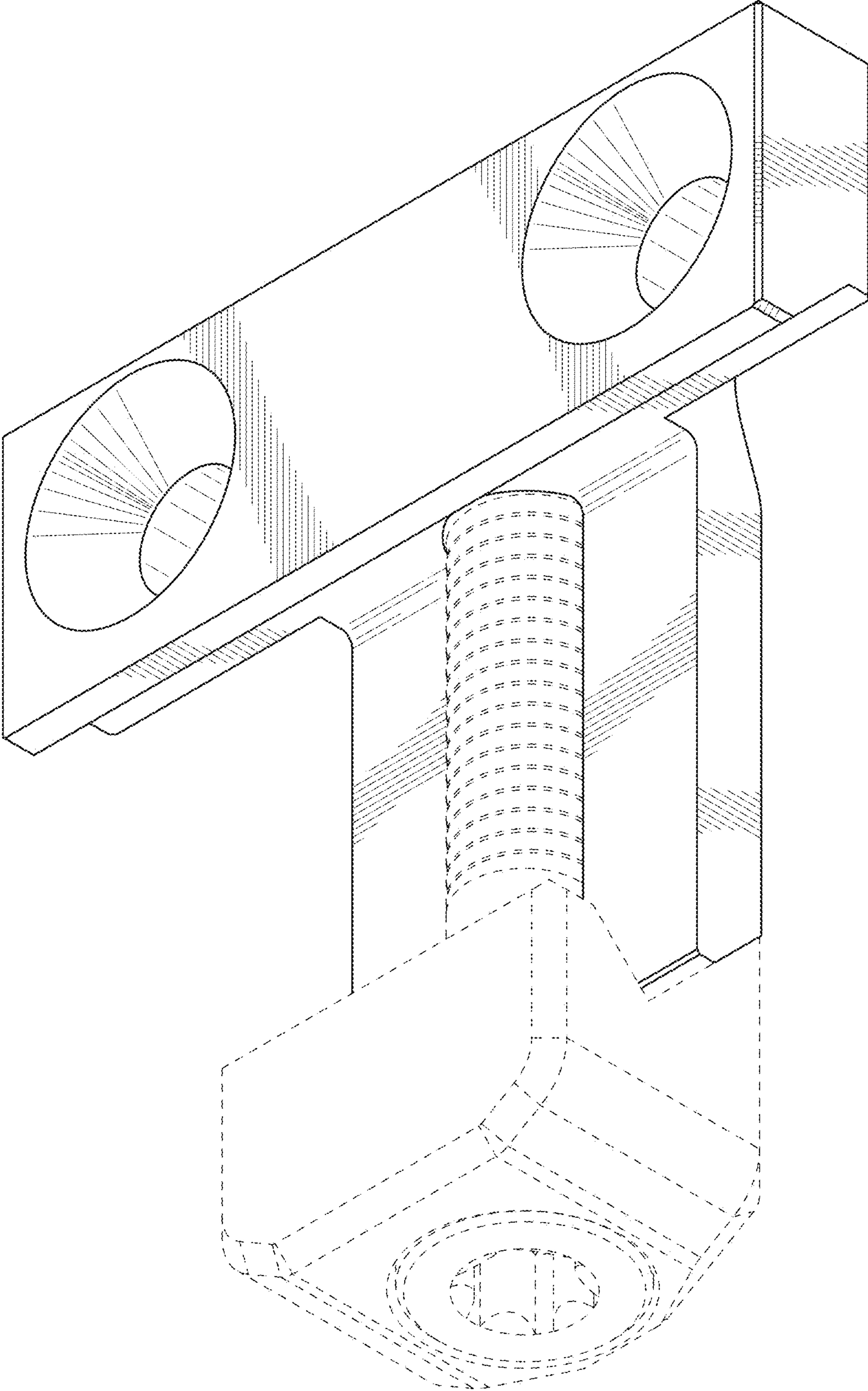


FIG. 2



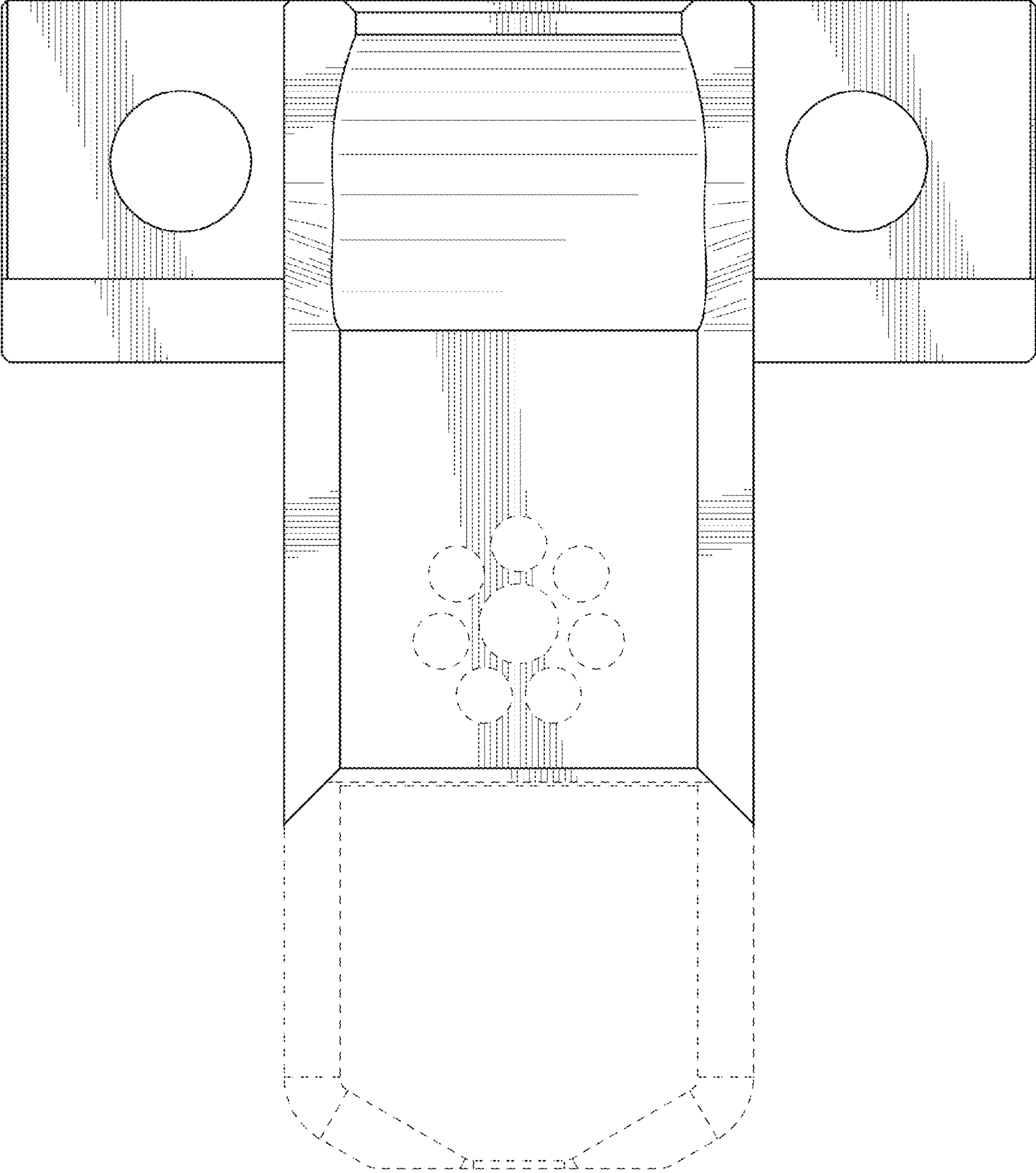


FIG. 3

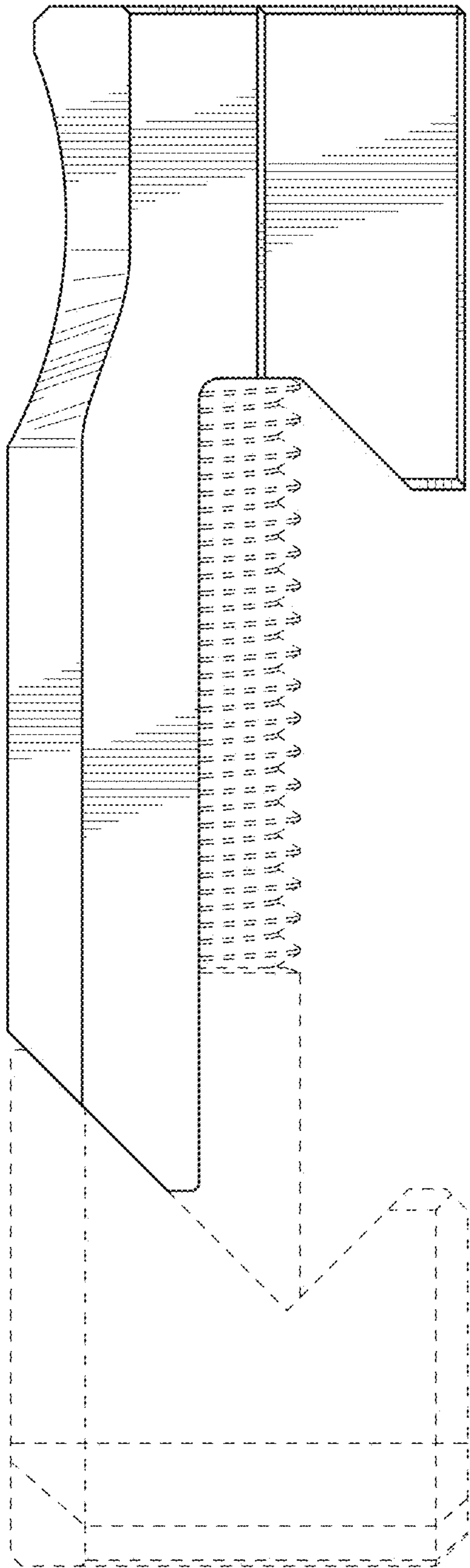


FIG. 4

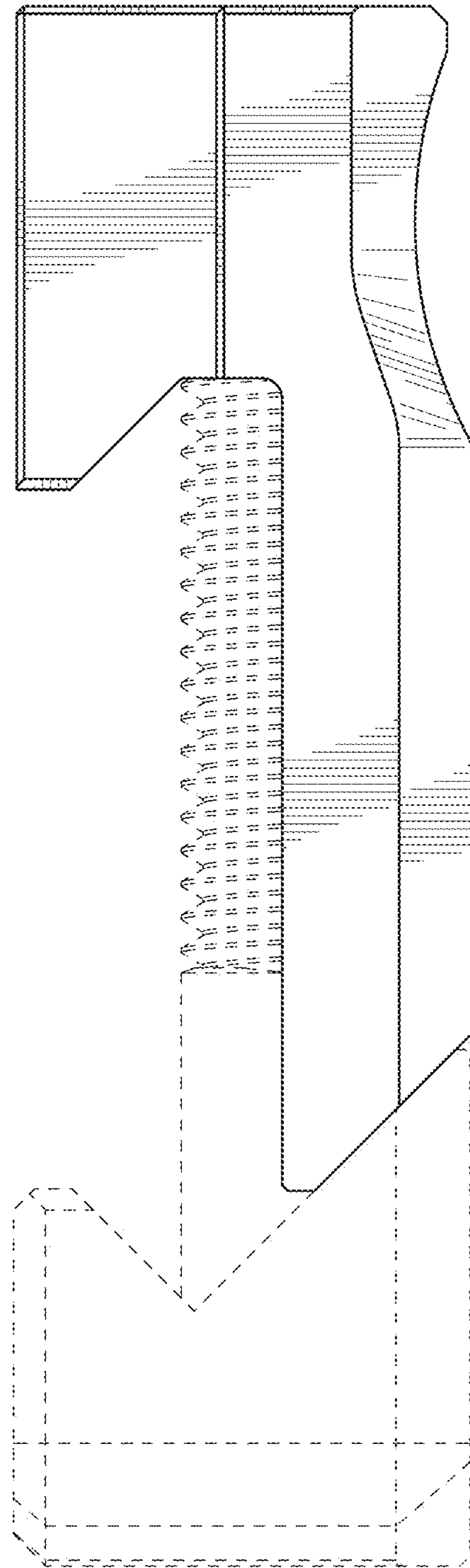


FIG. 6

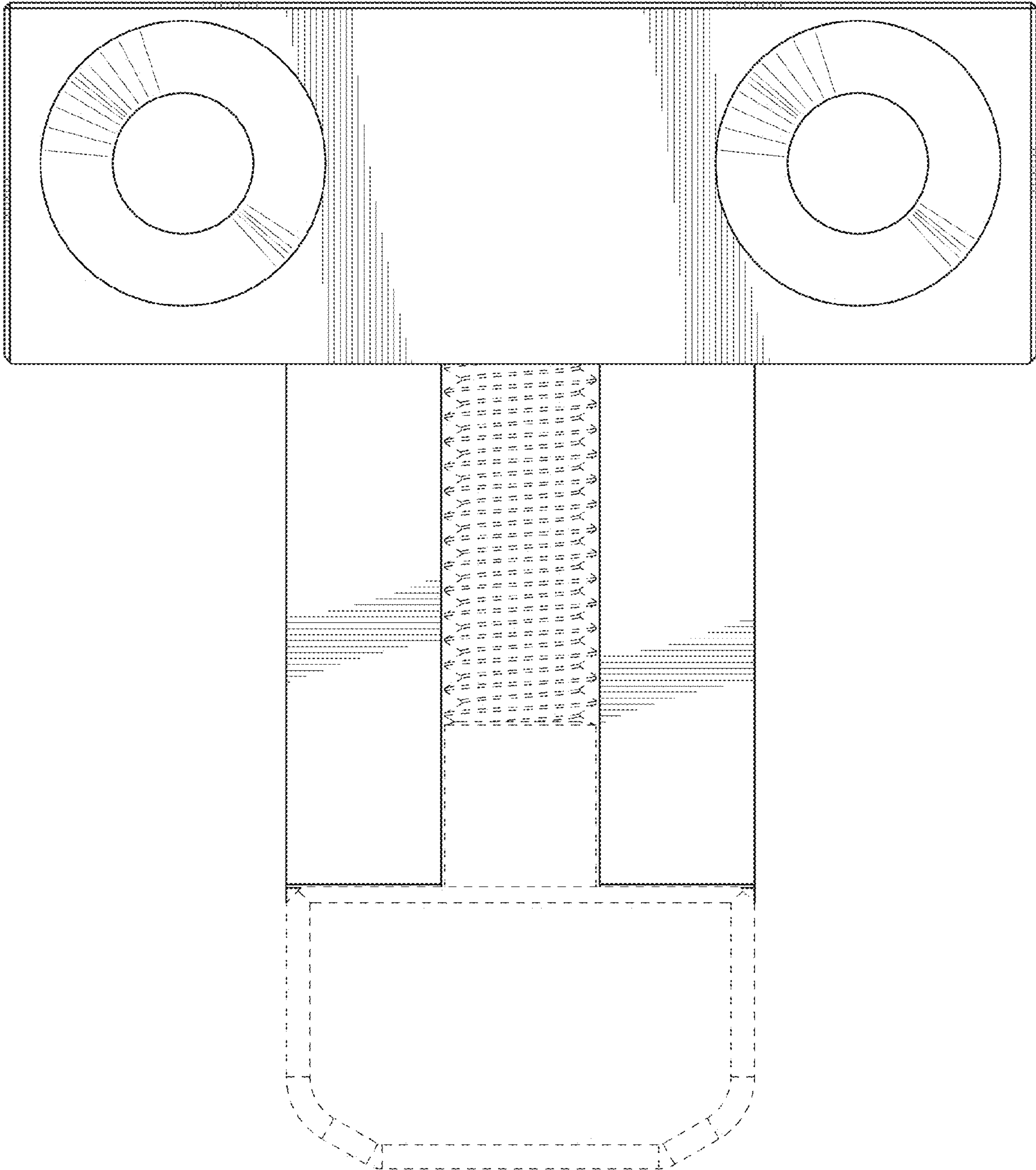


FIG. 5

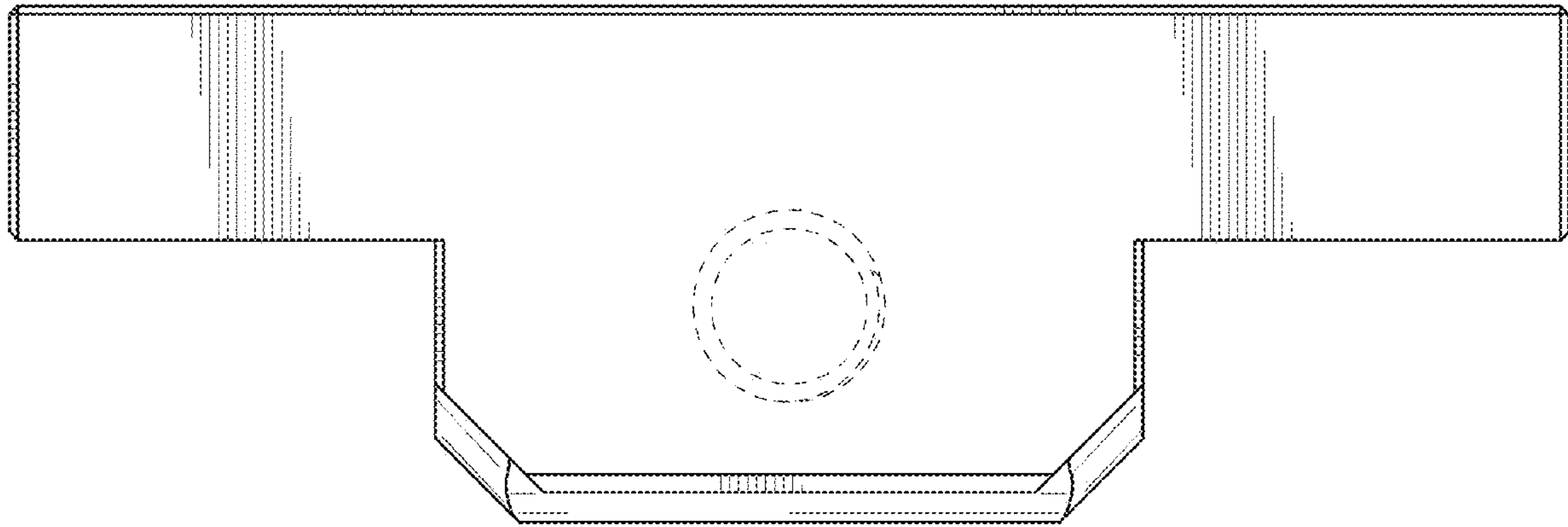


FIG. 7

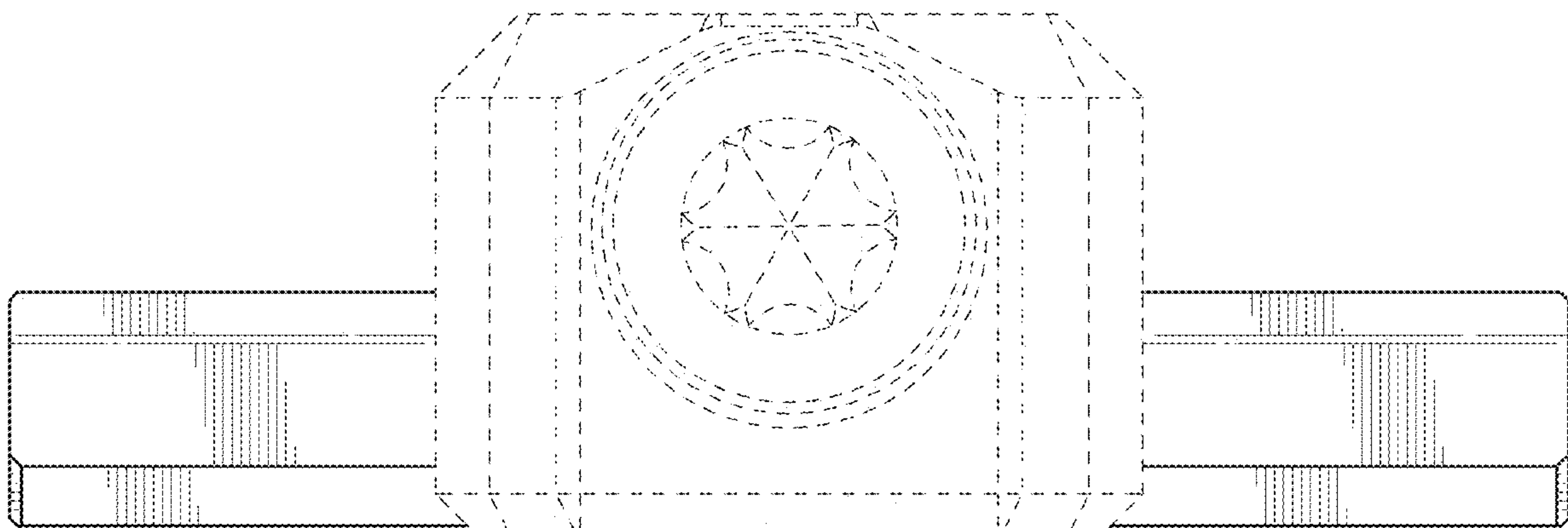


FIG. 8