



US00D943138S

(12) **United States Design Patent** (10) **Patent No.:** **US D943,138 S**  
**Wang** (45) **Date of Patent:** **\*\* Feb. 8, 2022**

(54) **FLOOR LAMP**

FOREIGN PATENT DOCUMENTS

(71) Applicant: **Siyun Wang**, Shenzhen (CN)

CN 201830603074.3 \* 3/2019 ..... 26/5

(72) Inventor: **Siyun Wang**, Shenzhen (CN)

OTHER PUBLICATIONS

(\*\*) Term: **15 Years**

Amazon, "Floor Lamp, Nekteck", first available Nov. 26, 2019. (https://www.amazon.com/Nekteck-Lighting-Torchiere-Bedrooms-Standing/dp/B07TM4Z499/) (Year: 2019).\*  
Amazon, "Outon Floor Lamp", first available May 9, 2020. (https://www.amazon.com/dp/B088CVLKT2/) (Year: 2020).\*  
Amazon, "OHLUX Smart Floor Lamp", first available Jun. 2, 2020. (https://www.amazon.com/dp/B089K3MWNX/) (Year: 2020).\*  
Amazon, "Floor Lamp, Arzerlize", first available Mar. 11, 2021. (https://www.amazon.com/dp/B08YMR4LTJ/) (Year: 2021).\*

(21) Appl. No.: **29/775,103**

(22) Filed: **Mar. 22, 2021**

(51) **LOC (13) Cl.** ..... **26-05**

(52) **U.S. Cl.**  
USPC ..... **D26/106**

(58) **Field of Classification Search**  
USPC ... D26/1, 24, 37, 46, 48, 50, 61, 62, 63, 64, D26/93, 102, 106  
CPC ..... F21S 6/00; F21S 8/03; F21S 8/032; F21S 6/005  
See application file for complete search history.

\* cited by examiner

*Primary Examiner* — Lauren D McVey  
*Assistant Examiner* — Justin A Johnson

(57) **CLAIM**

The ornamental design for a floor lamp, as shown and described.

(56) **References Cited**

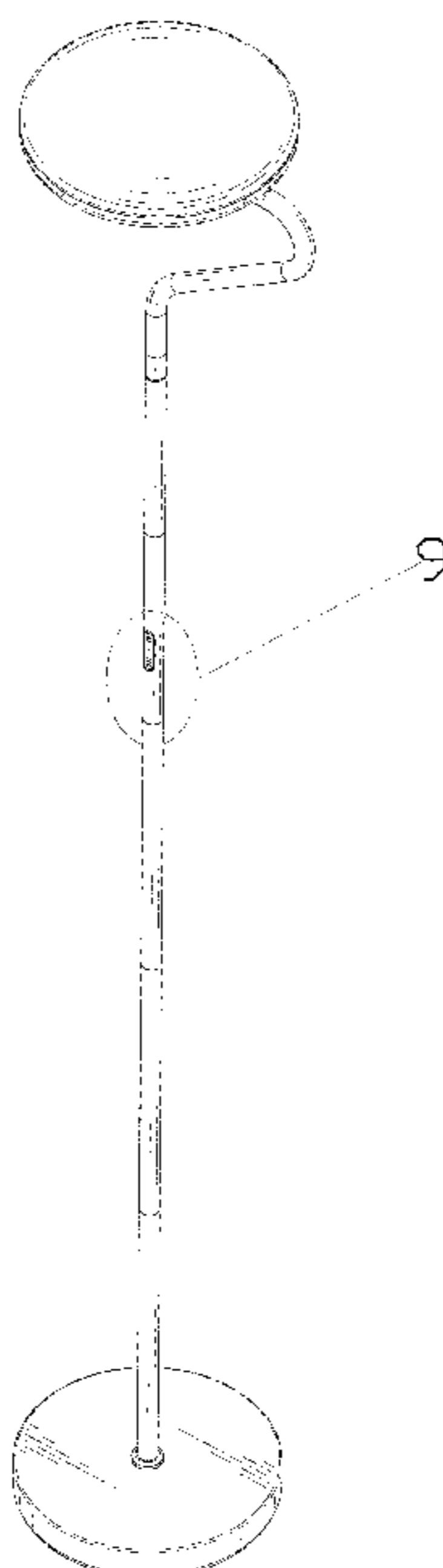
**DESCRIPTION**

U.S. PATENT DOCUMENTS

D309,797 S *	8/1990	Gismondi	.....	D26/107
D373,006 S *	8/1996	Chelsea	.....	D26/110
D377,542 S *	1/1997	Huang	.....	D26/102
D389,599 S *	1/1998	Swanson	.....	D26/110
D399,589 S *	10/1998	Huang	.....	D26/102
D405,904 S *	2/1999	Huang	.....	D26/65
D500,880 S *	1/2005	Swanson	.....	D26/102
D595,441 S *	6/2009	Swanson	.....	D26/61
D628,338 S *	11/2010	Sabernig	.....	D26/93
D757,987 S *	5/2016	Lee	.....	D26/102
D800,953 S	10/2017	Zandee	.....	
D872,347 S *	1/2020	Probyn	.....	D26/106
D875,995 S	2/2020	Wang	.....	
D876,707 S *	2/2020	Tang	.....	D26/110
D876,708 S *	2/2020	Tang	.....	D26/110

FIG. 1 is a perspective view of a floor lamp showing my new design;  
FIG. 2 is another perspective view thereof;  
FIG. 3 is a front elevational view thereof;  
FIG. 4 is a rear elevational view thereof;  
FIG. 5 is a left side elevational view thereof;  
FIG. 6 is a right side elevational view thereof;  
FIG. 7 is a top plan view thereof;  
FIG. 8 is a bottom plan view thereof; and,  
FIG. 9 is an enlarged view of portion 9 shown in FIG. 1.  
The broken lines in the drawings depict portions of the floor lamp that form no part of the claimed design.

**1 Claim, 9 Drawing Sheets**



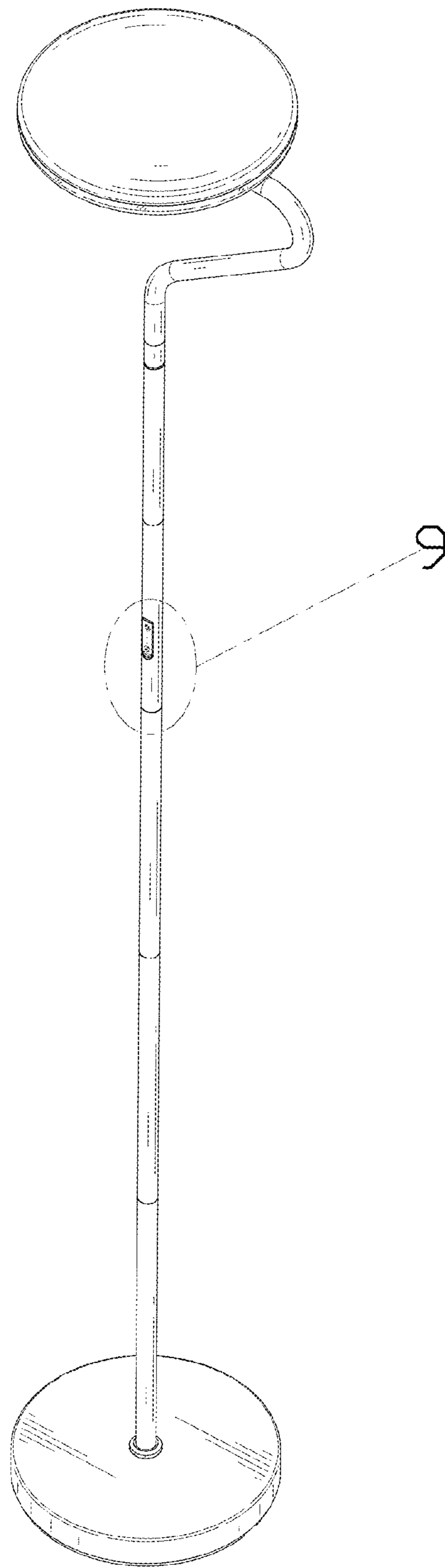


FIG. 1

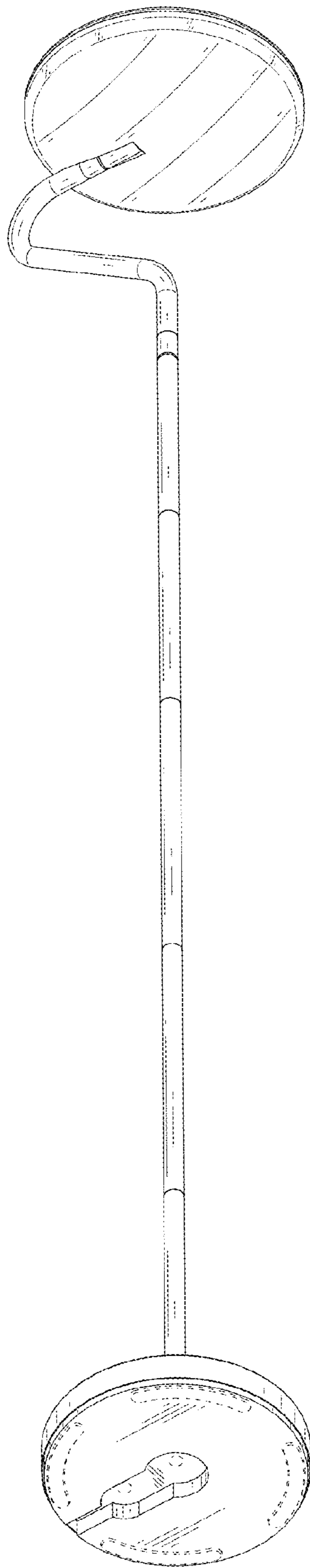


FIG. 2

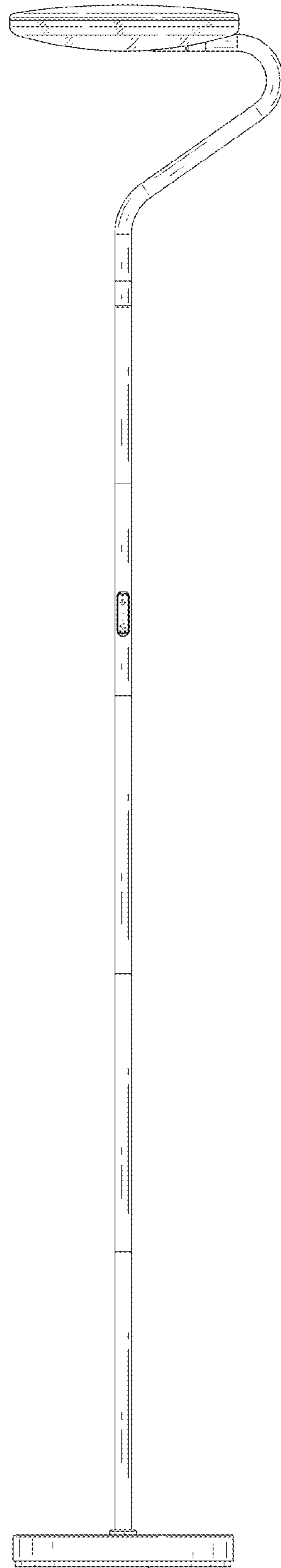


FIG. 3

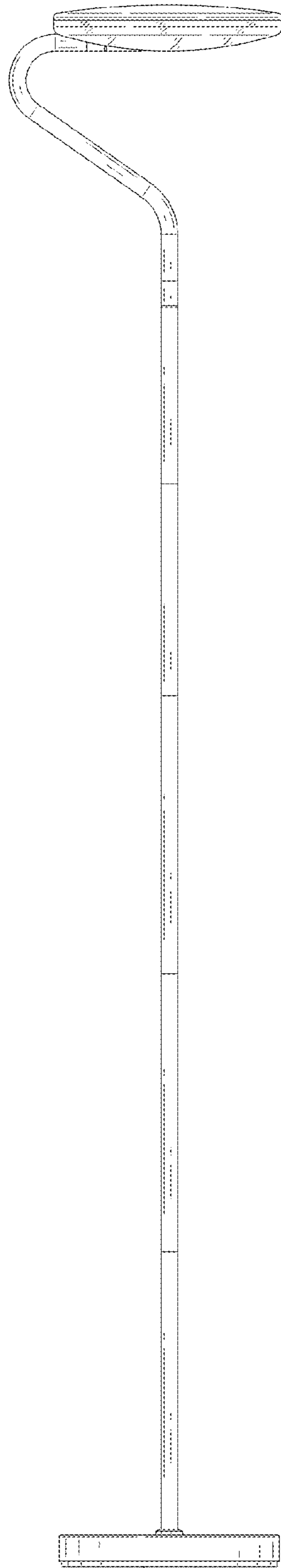


FIG. 4

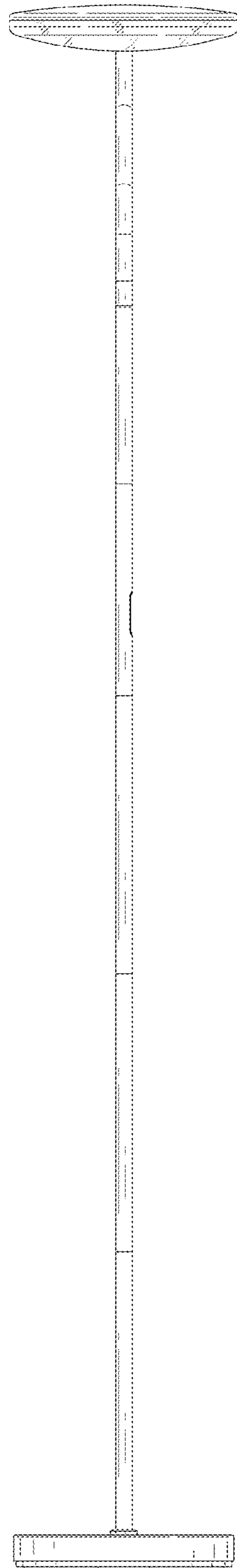


FIG. 5

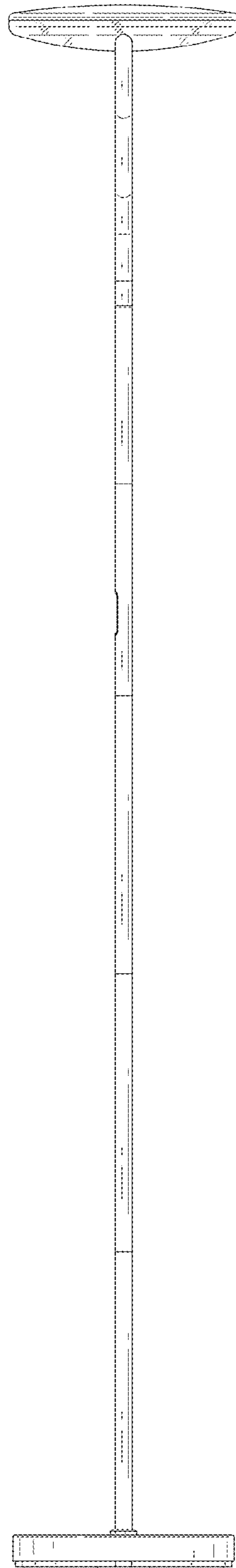


FIG. 6

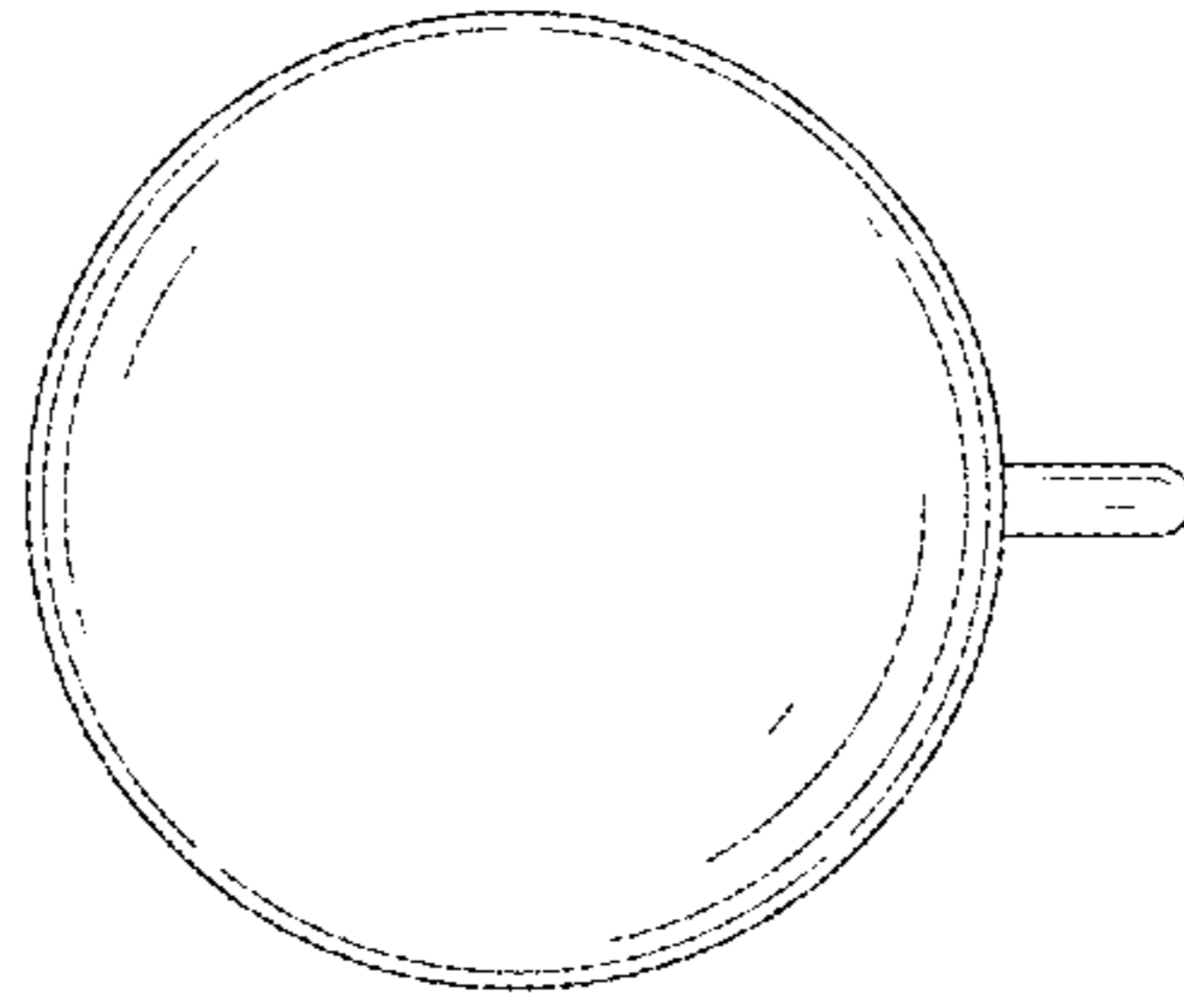


FIG. 7



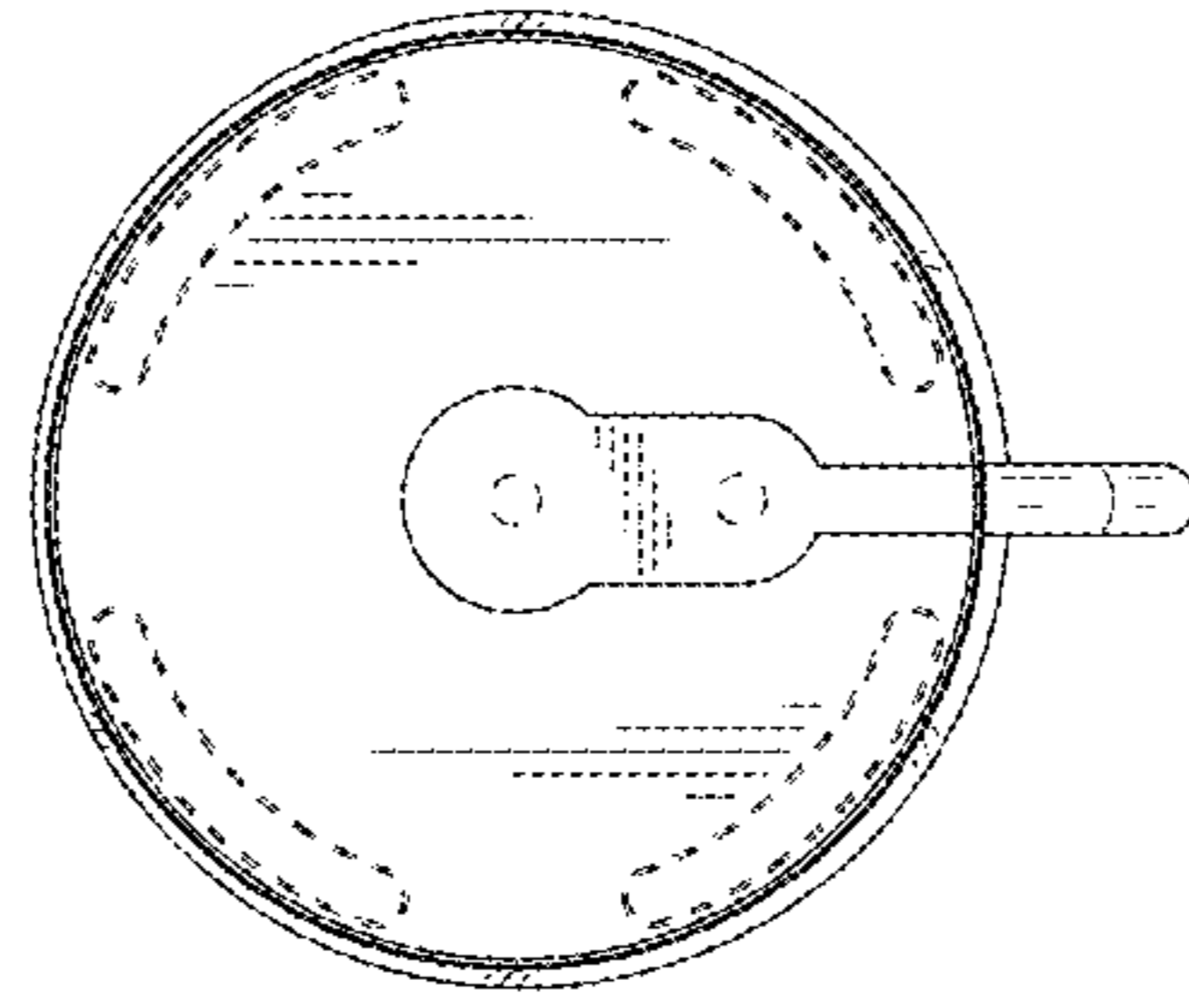


FIG. 8

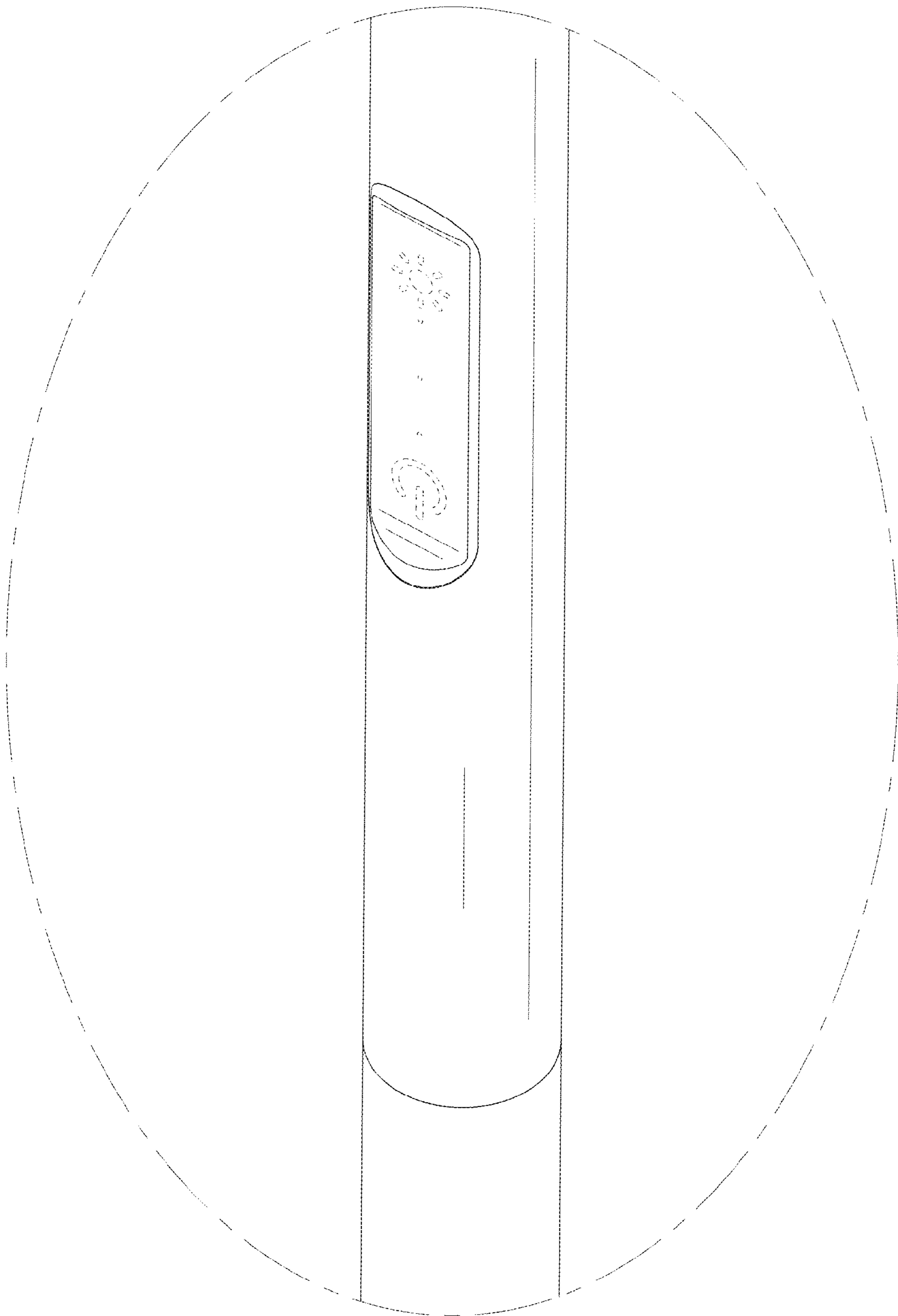


FIG. 9