



US00D943136S

(12) **United States Design Patent**
Wu

(10) **Patent No.:** **US D943,136 S**

(45) **Date of Patent:** **** Feb. 8, 2022**

(54) **SOLAR SENSOR LIGHT**

D864,460 S * 10/2019 Hu D26/85
D879,352 S * 3/2020 Liu D26/85
D882,855 S * 4/2020 Liu D26/85

(71) Applicant: **Xiaoling Wu**, Zhejiang (CN)

(72) Inventor: **Xiaoling Wu**, Zhejiang (CN)

(73) Assignee: **Xiaoling Wu**

(**) Term: **15 Years**

(21) Appl. No.: **29/680,550**

(22) Filed: **Feb. 18, 2019**

(51) **LOC (13) Cl.** **26-05**

(52) **U.S. Cl.**
USPC **D26/85**

(58) **Field of Classification Search**
USPC D10/106.6, 106.8; D26/51, 60, 72, 78,
D26/80, 81, 82, 85, 86, 88
CPC F21S 8/03; F21S 8/003; F21S 8/036; F21S
8/037; F21S 9/022; F21S 9/024; F21S
9/03; F21S 9/037; F21S 13/02; F21S
13/10; F21S 13/14; F21W 2131/107;
G08B 13/193

See application file for complete search history.

(56) **References Cited**

U.S. PATENT DOCUMENTS

D816,259 S * 4/2018 Liu D26/85
D836,816 S * 12/2018 Liu D26/85
D841,218 S * 2/2019 Liu D26/85
D841,864 S * 2/2019 Liu D26/85
D842,527 S * 3/2019 Liu D26/85
D848,049 S * 5/2019 Hu D26/85
D848,658 S * 5/2019 Tan D26/85
D861,224 S * 9/2019 Hu D26/85

OTHER PUBLICATIONS

Solar Lights Outdoor 62 LED (available online) Retrieved from the internet Apr. 30, 2020 from URL: https://www.gearbest.com/solar-wall-lights/pp_009974976658.html?wid=1433363 1.*

Solar Motion Sensor Light (available online Apr. 13, 2018) Retrieved from the internet May 4, 2020 from URL: <https://www.amazon.com/Motion-Sensor-Outdoor-Upgrade-Waterproof/dp/B07QNQ5TXZ>.*

* cited by examiner

Primary Examiner — Kevin K Rudzinski

Assistant Examiner — Richard Kearney

(74) *Attorney, Agent, or Firm* — Millen, White, Zelano & Branigan, P.C.; William F. Nixon

(57) **CLAIM**

The ornamental design for a solar sensor light, as shown and described.

DESCRIPTION

FIG. 1 is a front elevational view of a solar sensor light showing my new design;

FIG. 2 is a rear elevational view thereof;

FIG. 3 is a left side elevational view thereof;

FIG. 4 is a right side elevational view thereof;

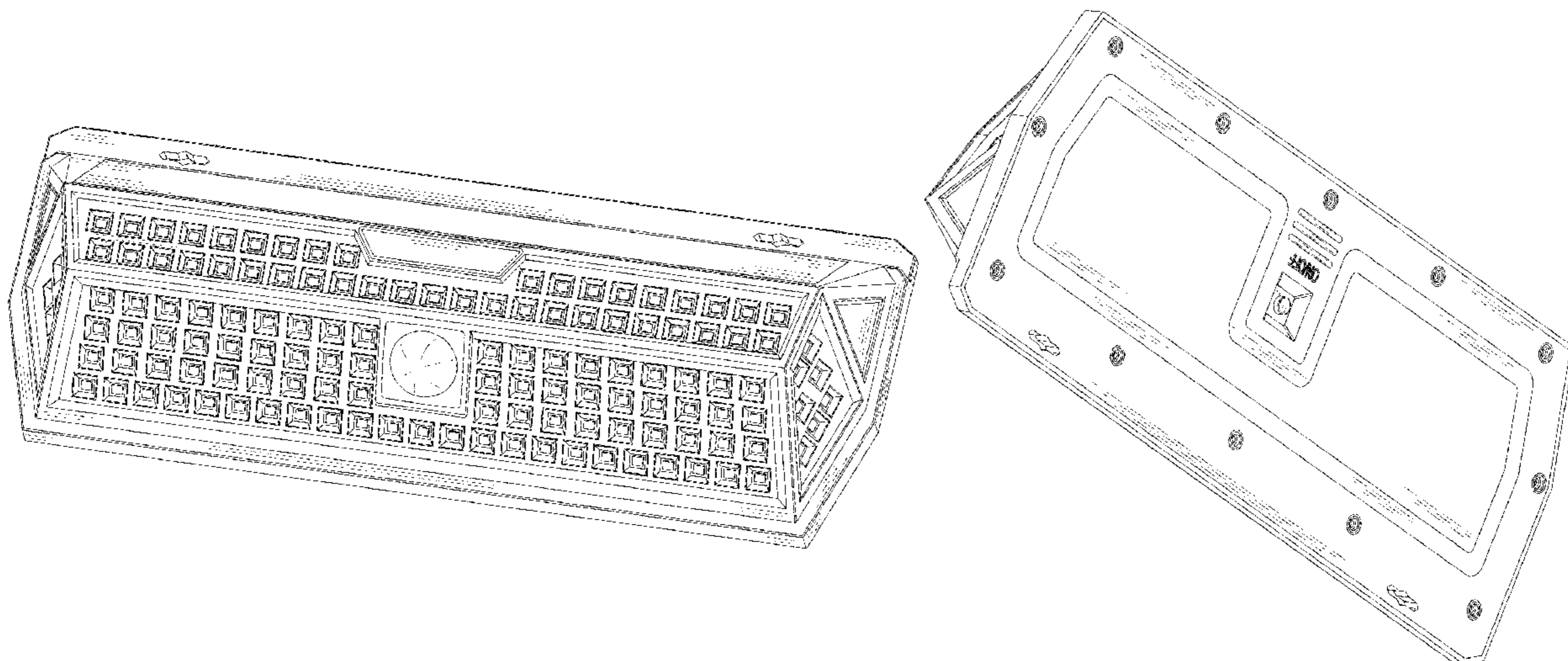
FIG. 5 is a top plan view thereof;

FIG. 6 is a bottom plan view thereof;

FIG. 7 is a front perspective view thereof; and,

FIG. 8 is a rear perspective view thereof.

1 Claim, 8 Drawing Sheets



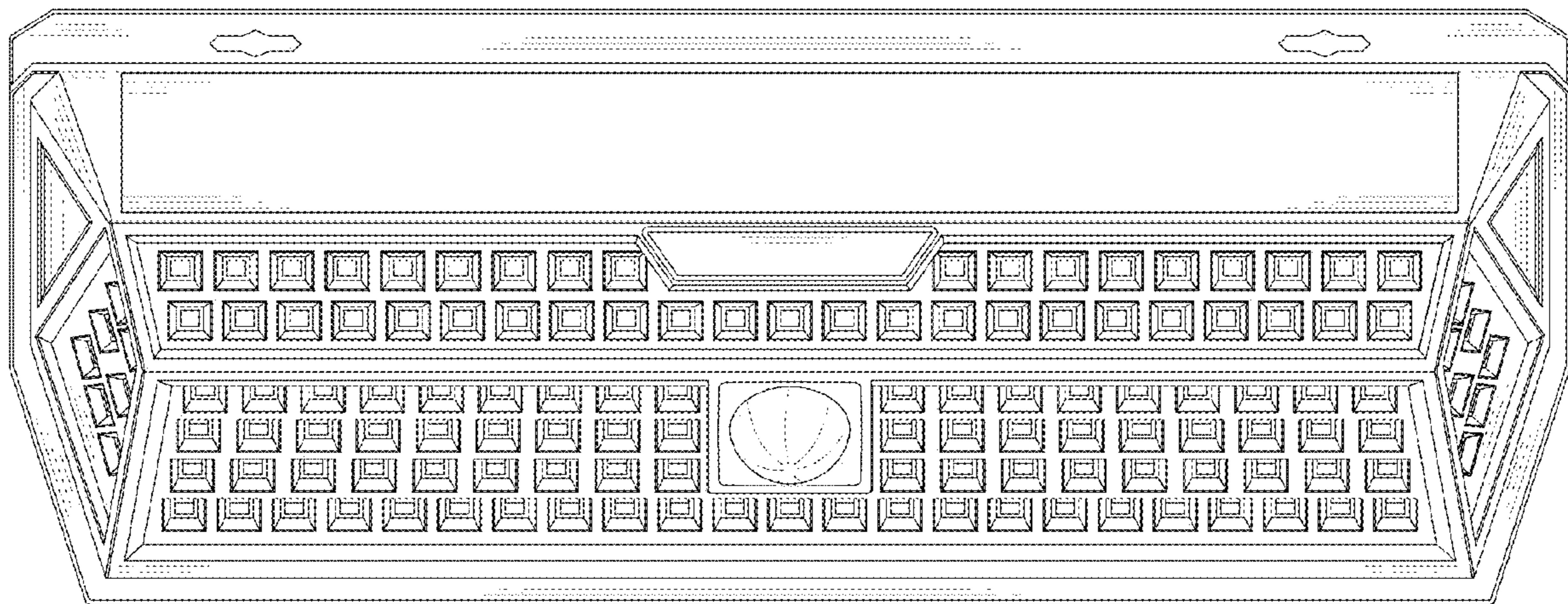


FIG. 1

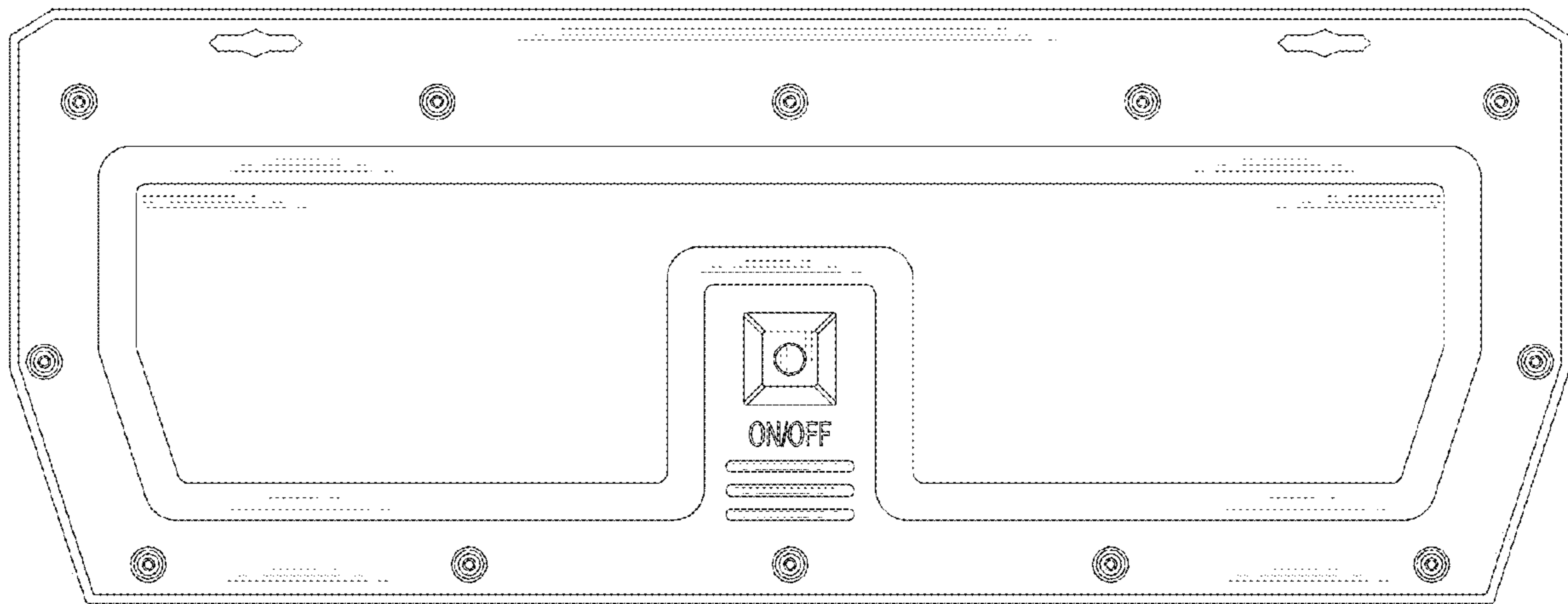


FIG. 2

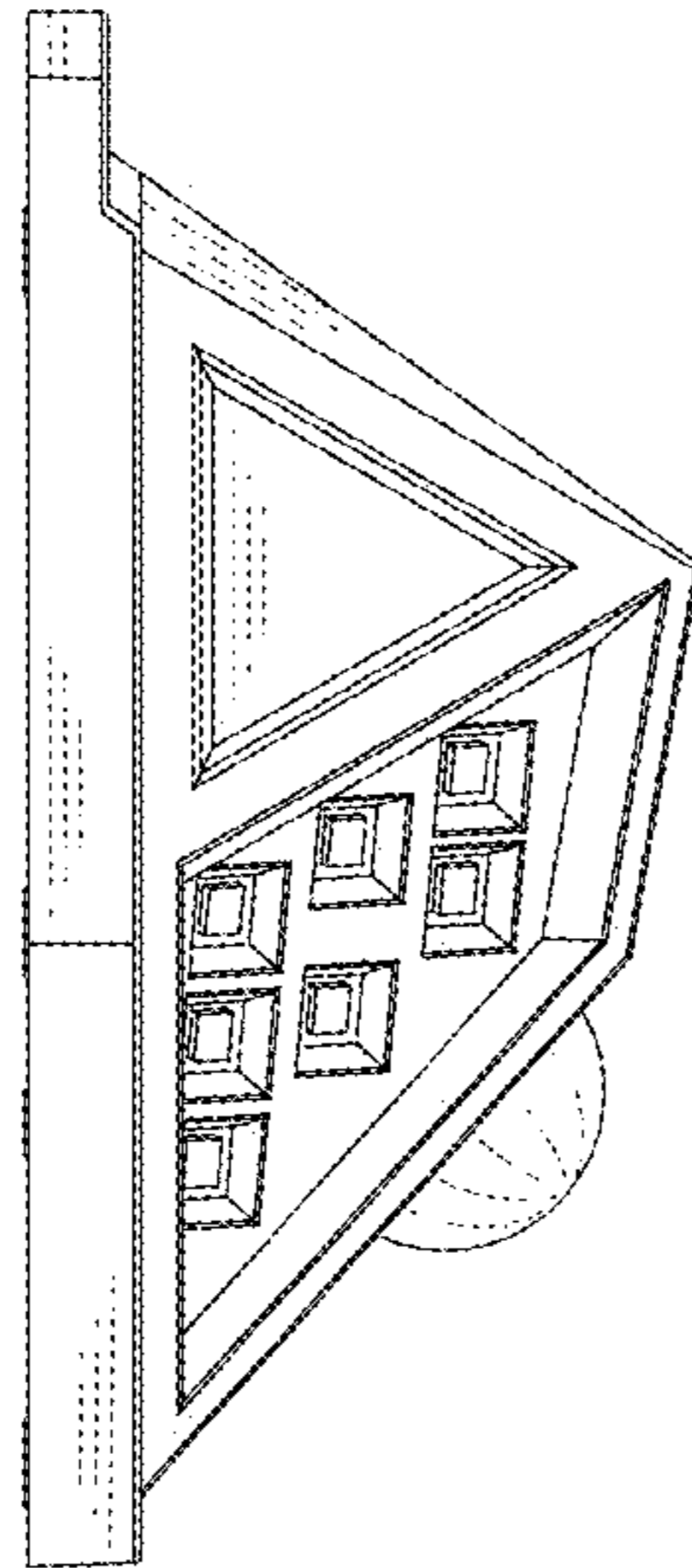


FIG. 3

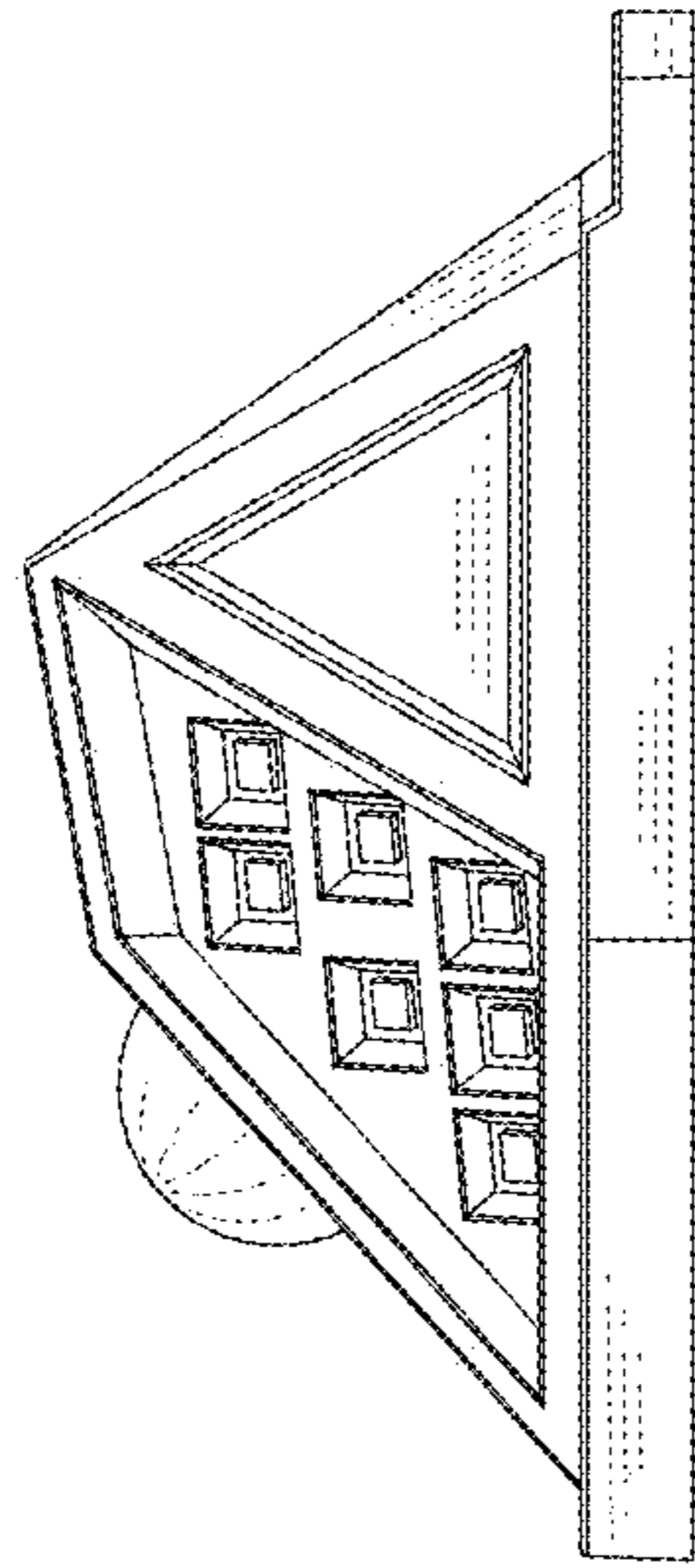


FIG. 4

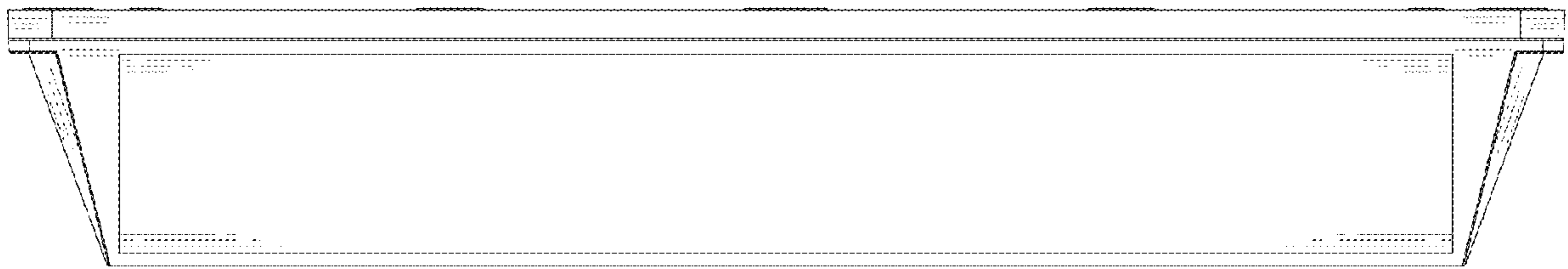


FIG. 5

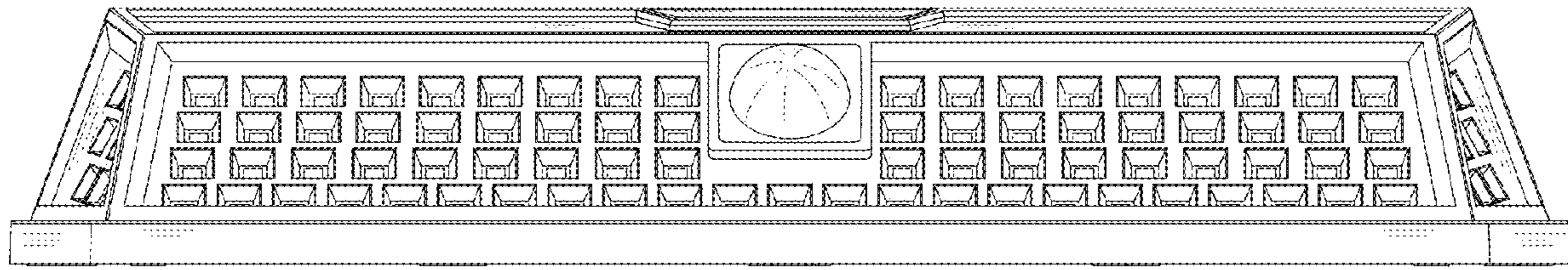


FIG. 6

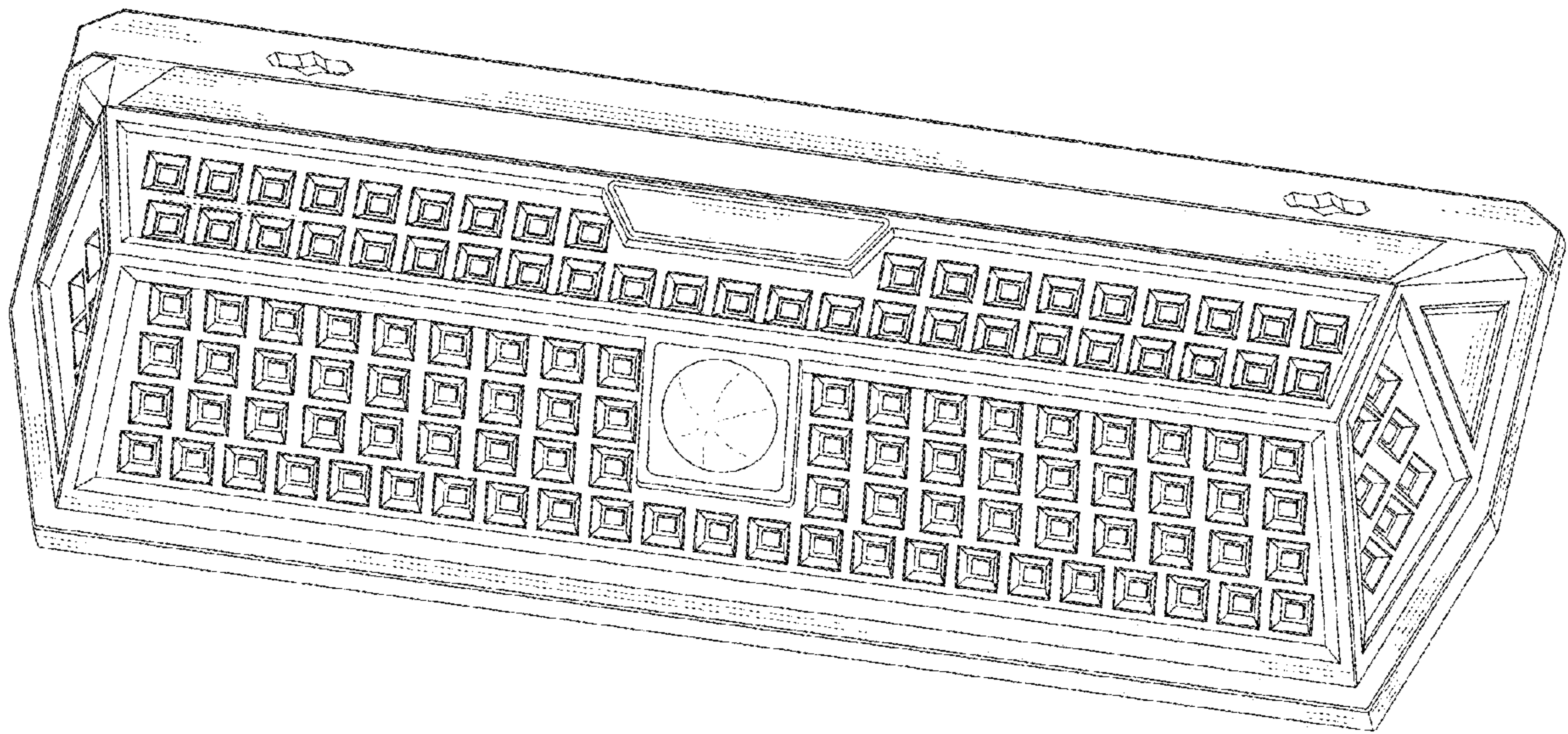


FIG. 7

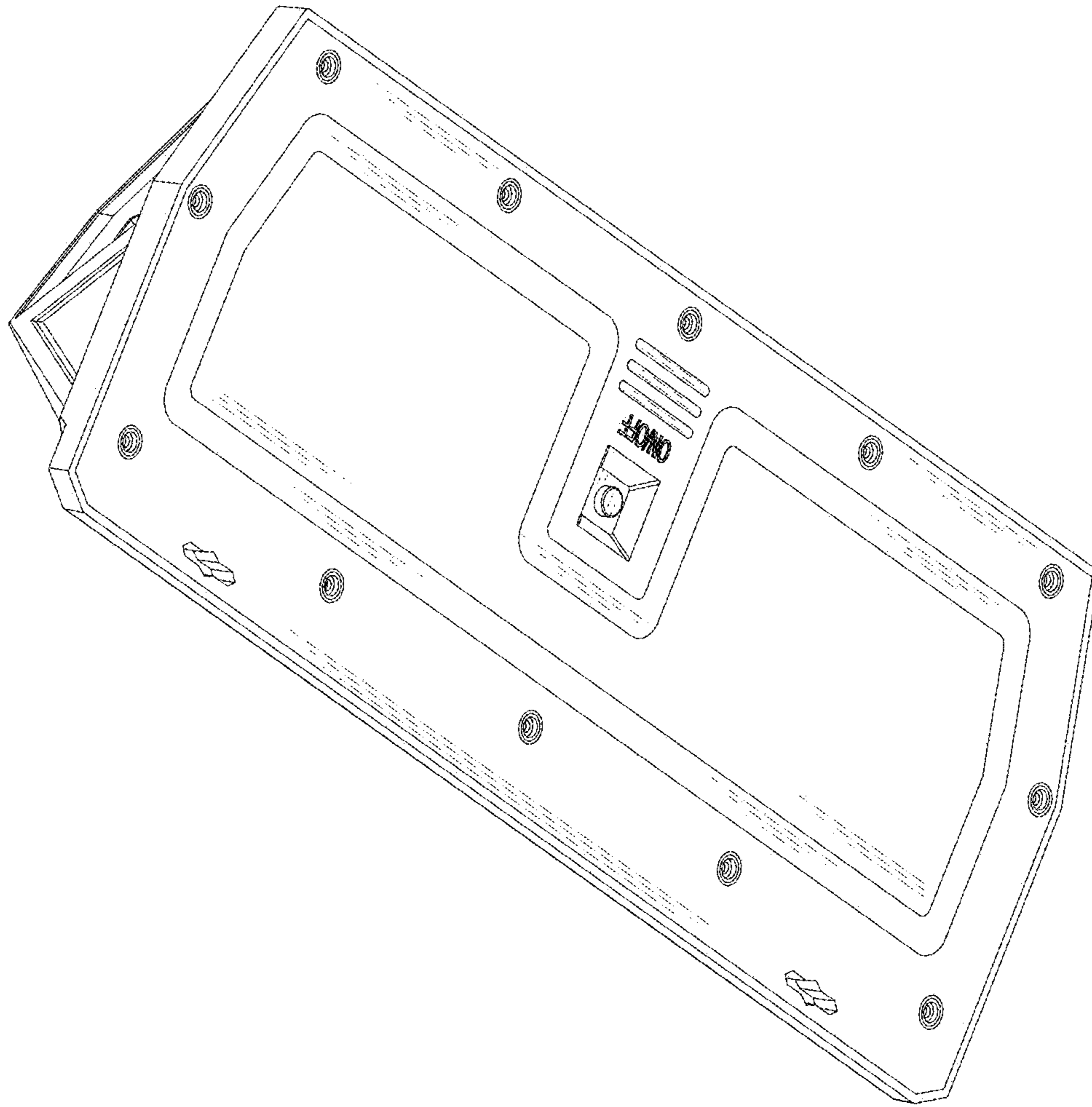


FIG. 8