



US00D943134S

(12) **United States Design Patent**
Zeng

(10) **Patent No.:** **US D943,134 S**

(45) **Date of Patent:** **** *Feb. 8, 2022**

(54) **LED LIGHT**

(71) Applicant: **Shenghong Zeng**, Sichuan (CN)

(72) Inventor: **Shenghong Zeng**, Sichuan (CN)

(73) Assignee: **Shenghong Zeng**

(*) Notice: This patent is subject to a terminal disclaimer.

(**) Term: **15 Years**

(21) Appl. No.: **29/670,934**

(22) Filed: **Nov. 20, 2018**

(51) **LOC (13) Cl.** **26-03**

(52) **U.S. Cl.**
USPC **D26/63**

(58) **Field of Classification Search**
USPC D26/1, 24, 61, 63, 65, 85, 92
CPC F21V 21/14; F21V 15/01; F21V 14/02;
F21V 21/30; F21V 21/00; F21V 14/00;
F21S 8/00; F21S 8/003; F21S 8/043;
F21Y 2105/001

See application file for complete search history.

(56) **References Cited**

U.S. PATENT DOCUMENTS

D572,856 S * 7/2008 Kehl D26/61
D634,871 S * 3/2011 Wooh D26/63

D702,866 S * 4/2014 Blincoe D26/63
D789,581 S * 6/2017 Peard D26/61
D815,769 S * 4/2018 Gong D26/63
D825,806 S * 8/2018 Jurik D26/63
D845,530 S * 4/2019 Yu D26/63

* cited by examiner

Primary Examiner — Brian N. Vinson

(74) *Attorney, Agent, or Firm* — Millen, White, Zelano & Branigan, P.C.; William F. Nixon

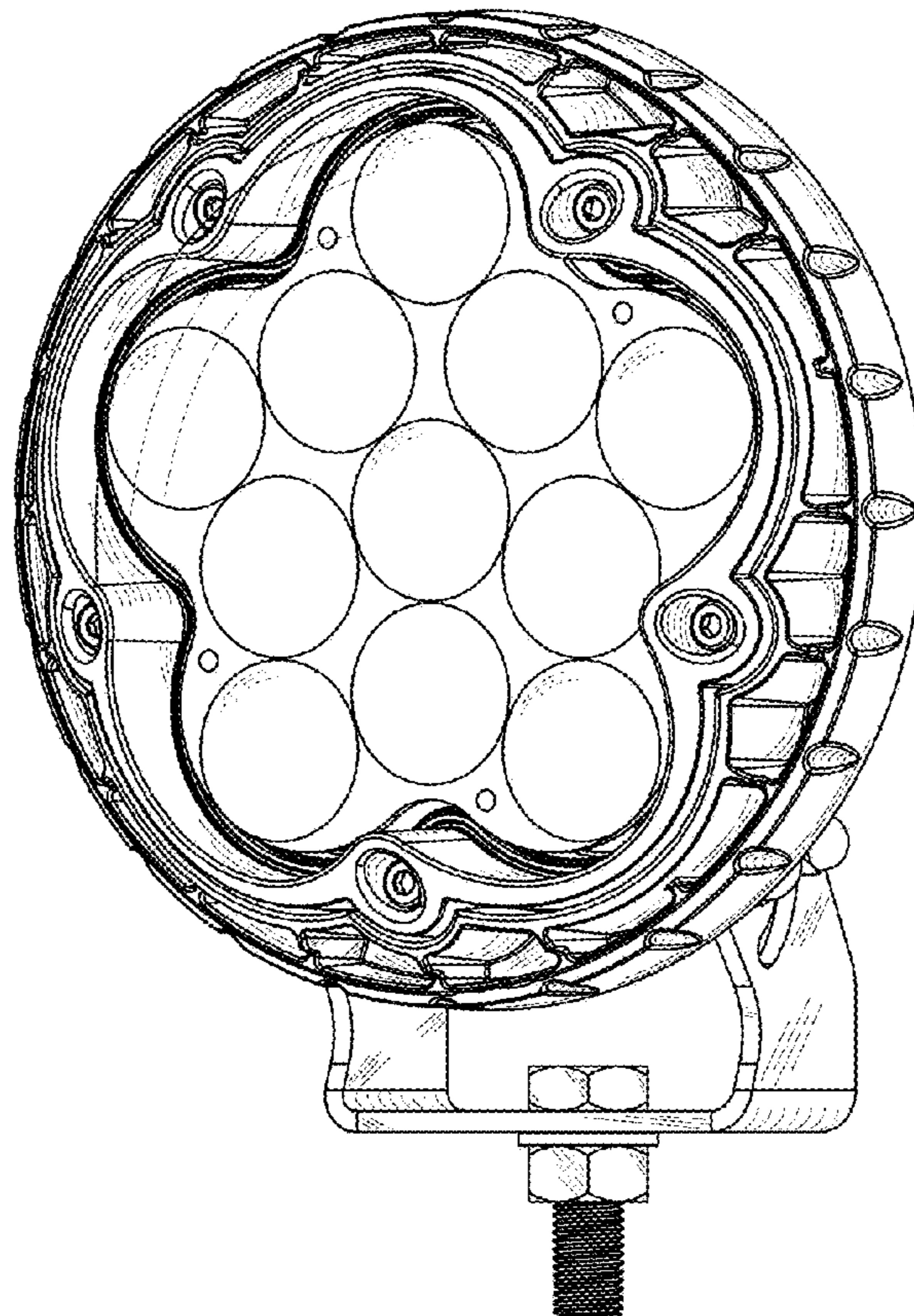
(57) **CLAIM**

I claim the ornamental design for the LED light, as shown and described.

DESCRIPTION

FIG. 1 is a perspective view of a LED light showing my new design;
FIG. 2 is a front elevational view thereof;
FIG. 3 is a rear elevational view thereof;
FIG. 4 is a left side elevational view thereof;
FIG. 5 is a right side elevational view thereof;
FIG. 6 is a top plan view thereof; and,
FIG. 7 is a bottom plan view thereof.

1 Claim, 7 Drawing Sheets



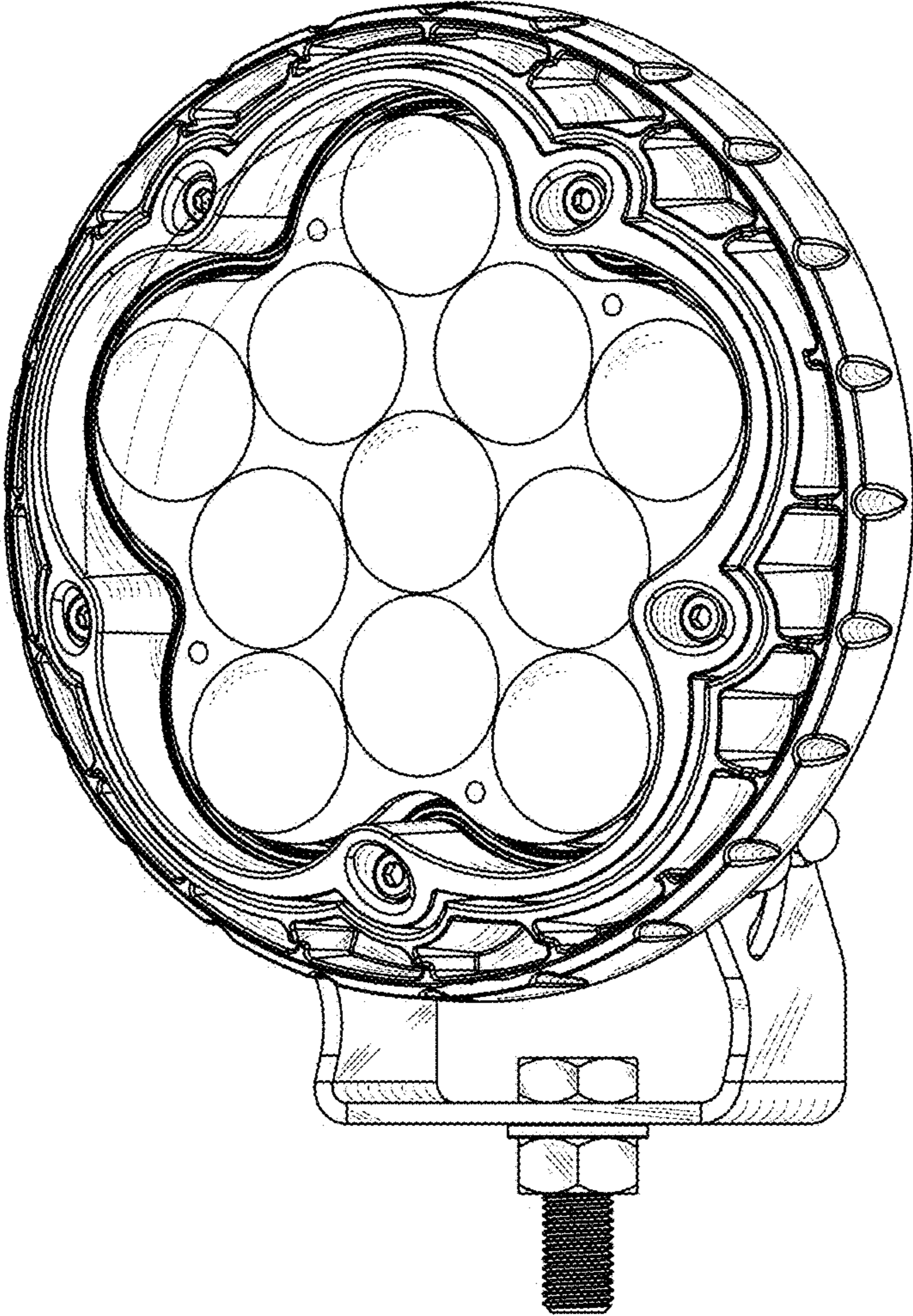


FIG.1

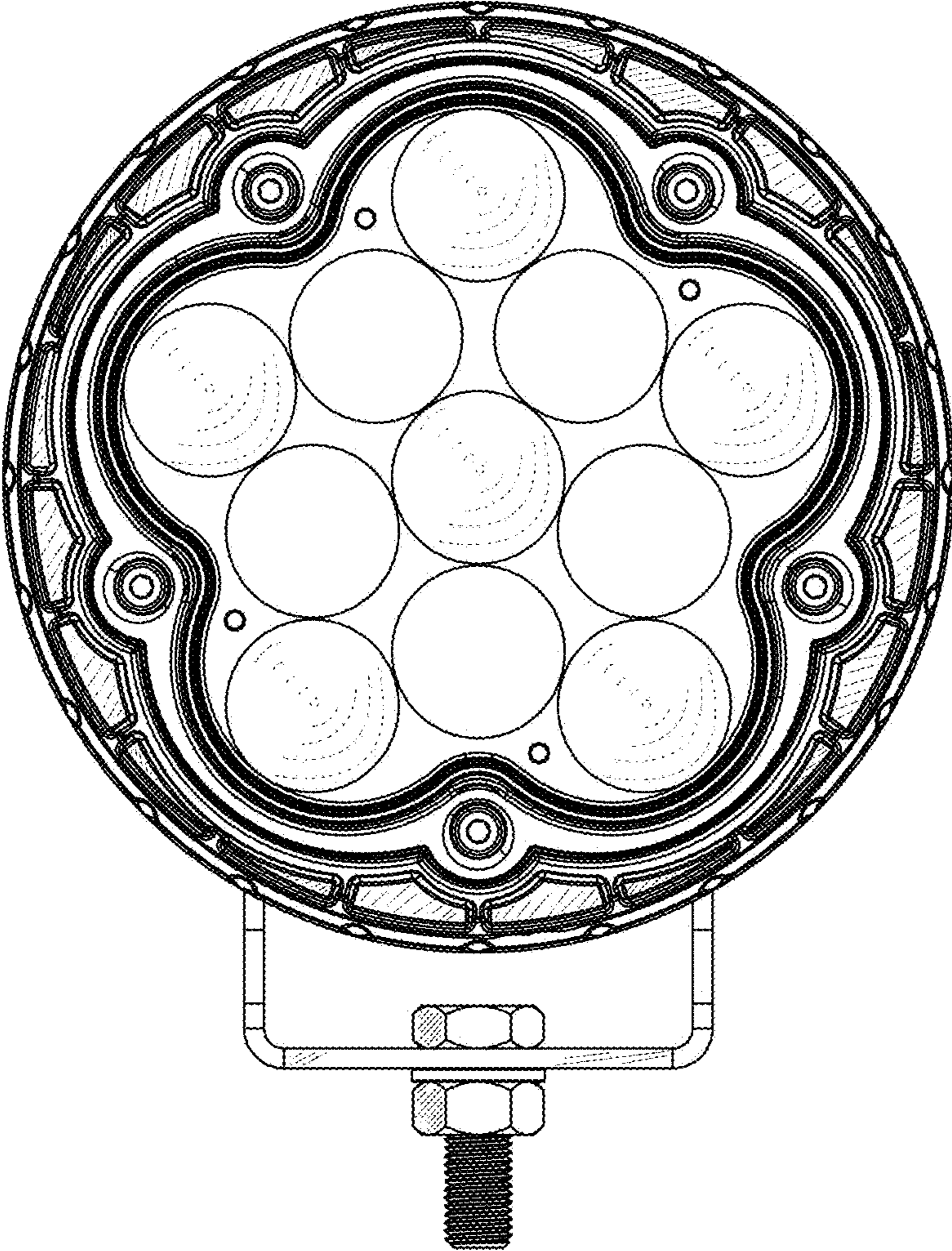


FIG.2

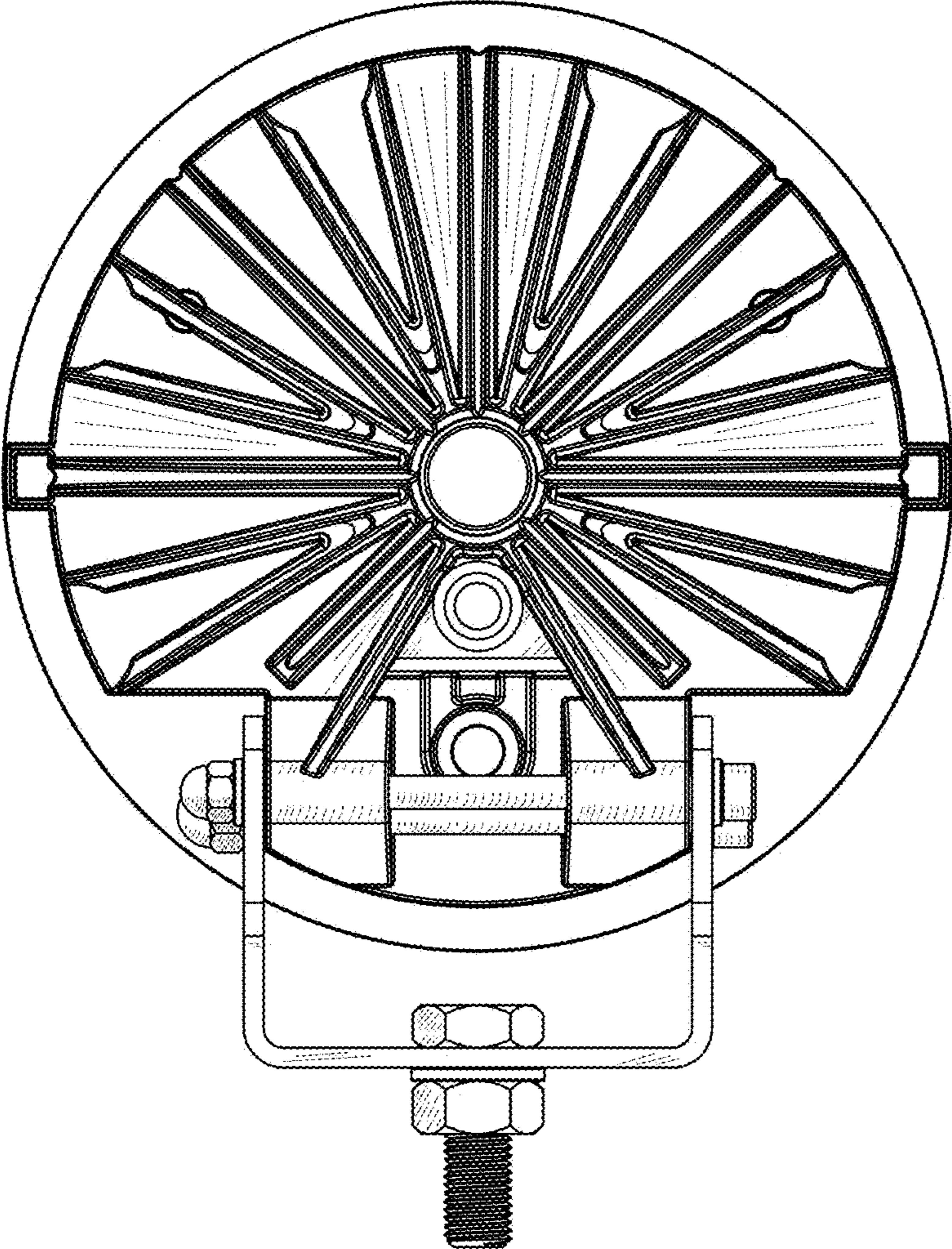


FIG.3

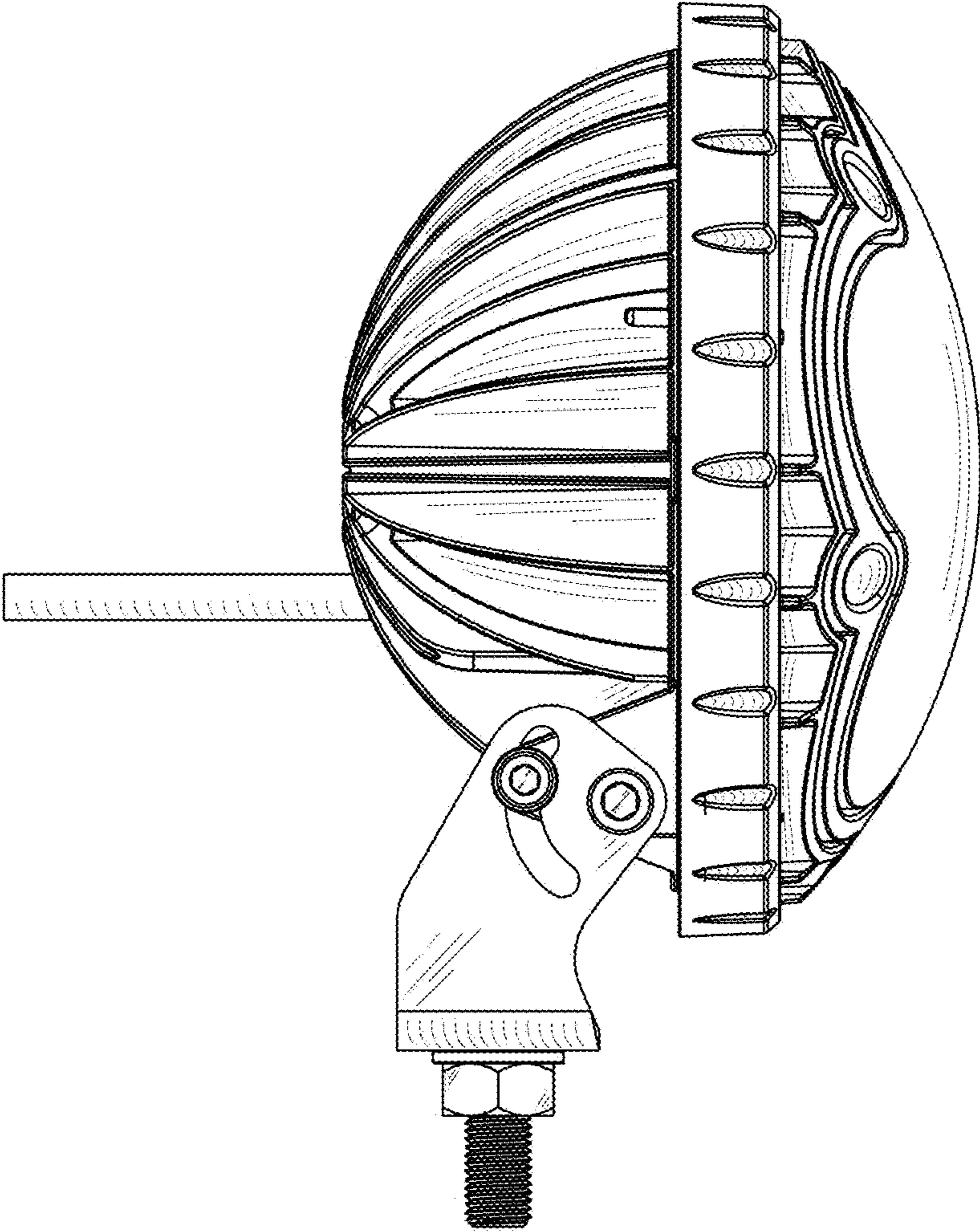


FIG.4

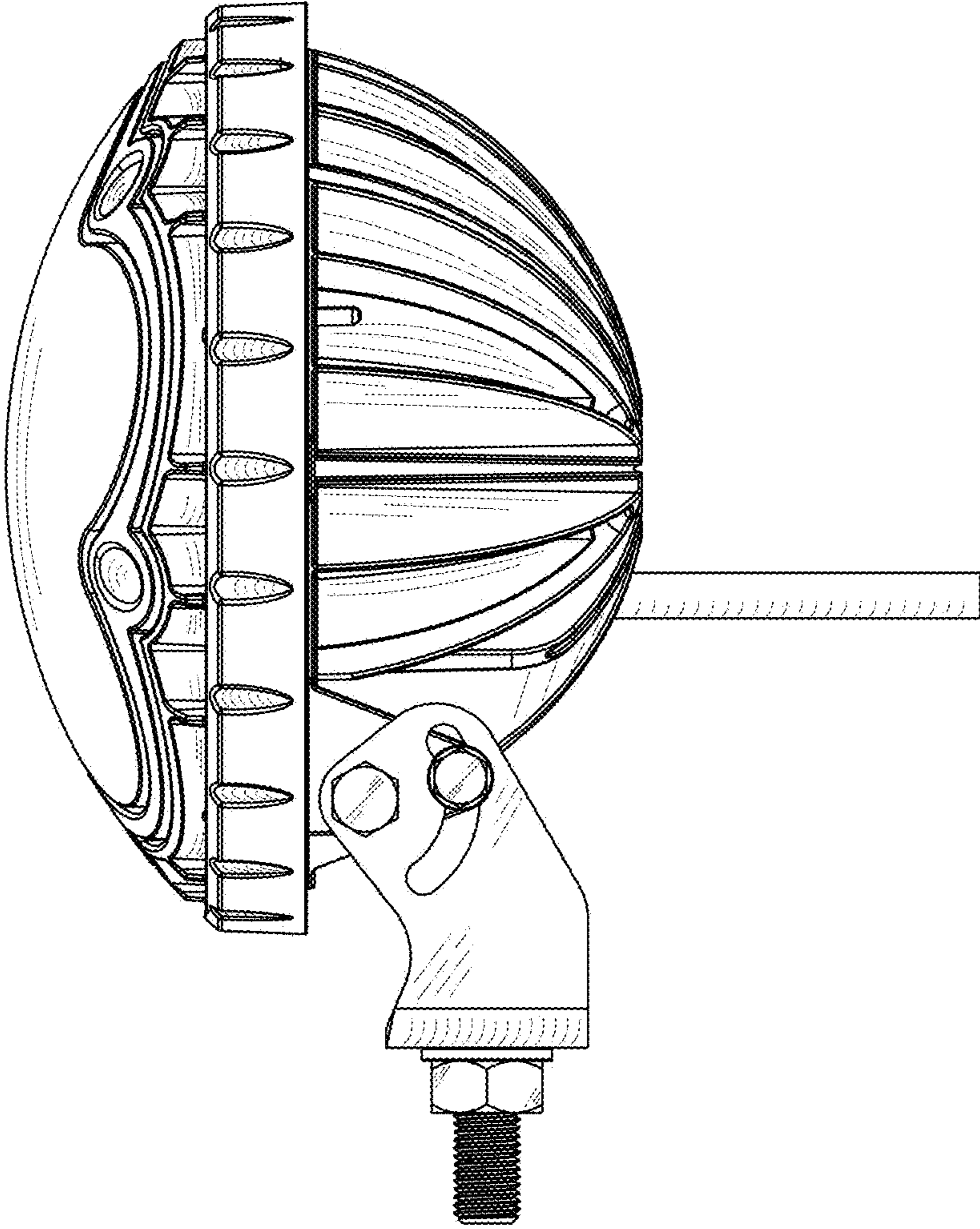


FIG.5

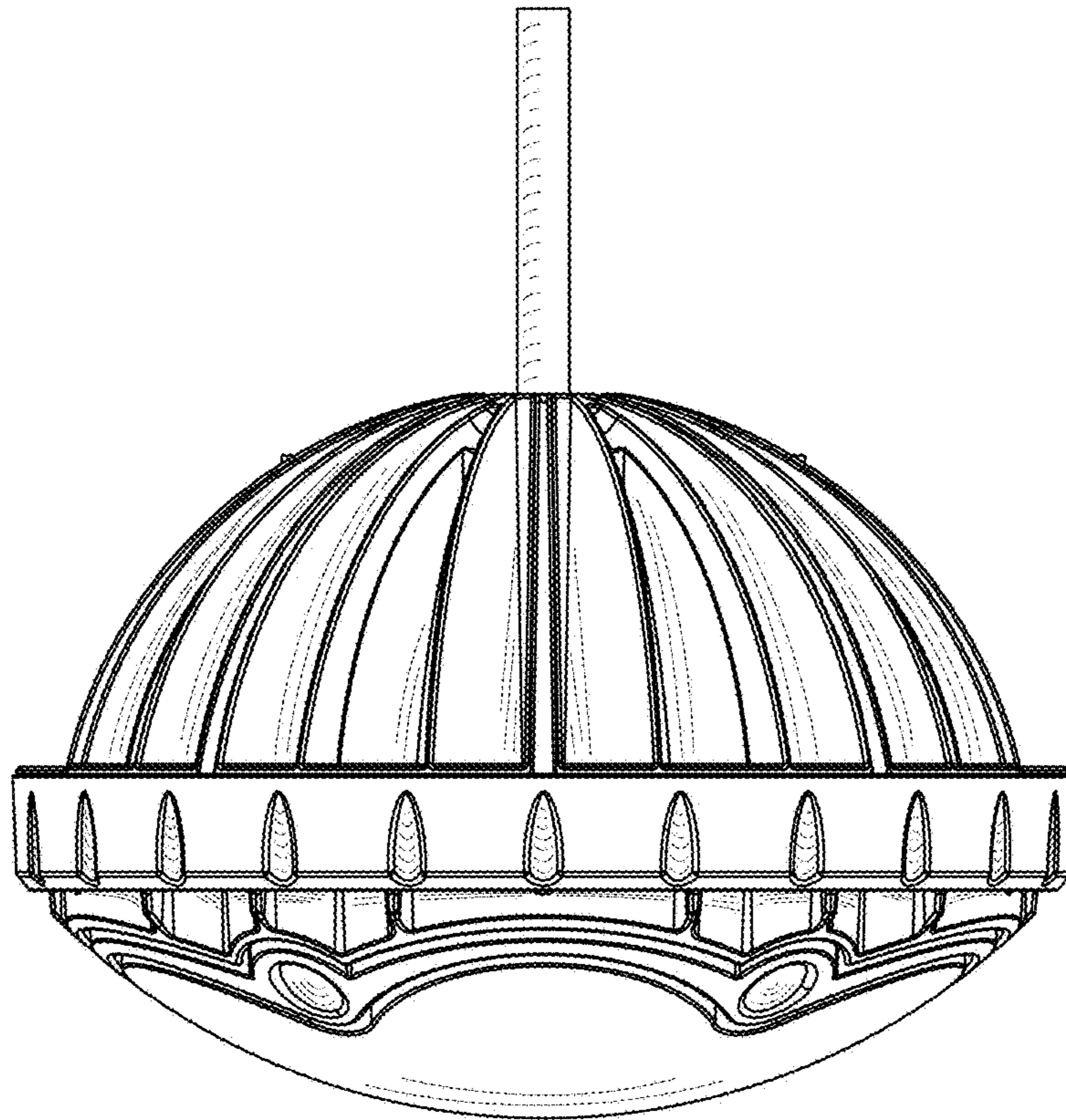


FIG.6

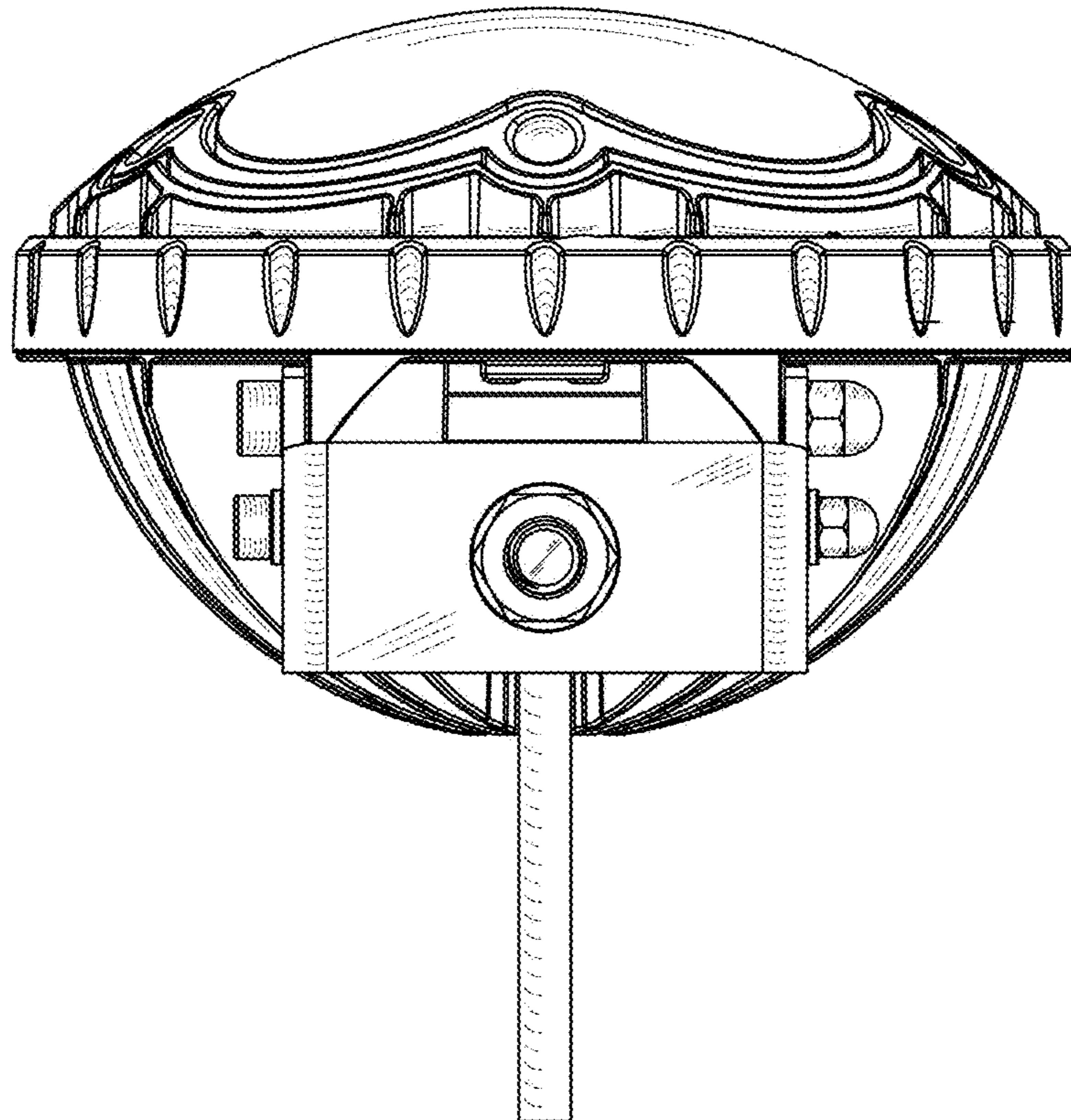


FIG. 7