



US00D943132S

(12) **United States Design Patent** (10) **Patent No.:** **US D943,132 S**  
**Eichelberger** (45) **Date of Patent:** **\*\* Feb. 8, 2022**

(54) **LIGHTING DEVICE**

(71) Applicant: **Streamlight, Inc.**, Eagleville, PA (US)  
(72) Inventor: **Cleatis Eichelberger**, East Norriton, PA (US)

(73) Assignee: **Streamlight, Inc.**, Eagleville, PA (US)

(\*\*) Term: **15 Years**

(21) Appl. No.: **29/695,322**

(22) Filed: **Jun. 18, 2019**

(51) **LOC (13) Cl.** ..... **26-02**

(52) **U.S. Cl.**  
USPC ..... **D26/44; D26/37**

(58) **Field of Classification Search**  
USPC ..... D26/37-44, 46-52; D10/109.1, 111-115  
CPC .... F21V 21/08; F21V 23/005; F21V 21/0885;  
F21V 23/0414; F21L 4/04; F21L 4/00;  
F21W 2111/10

See application file for complete search history.

(56) **References Cited**

U.S. PATENT DOCUMENTS

5,653,529	A	8/1997	Spocharski	
6,857,756	B2	2/2005	Reiff et al.	
D505,217	S	5/2005	Bayat et al.	
7,338,189	B2	3/2008	Kovacik et al.	
7,492,063	B2	2/2009	Bayat et al.	
D590,532	S	4/2009	Levine	
7,625,099	B2	12/2009	Newton et al.	
D615,681	S	5/2010	Thomson et al.	
D656,646	S *	3/2012	Kawase	D26/44
D661,417	S	6/2012	Kung	
D672,894	S	12/2012	Bayat et al.	
8,414,142	B2	4/2013	Tucket et al.	
D691,310	S	10/2013	Zhou et al.	
D698,959	S	2/2014	Shen	
D703,356	S	4/2014	Grandadam	

(Continued)

FOREIGN PATENT DOCUMENTS

CN	204592901	U	*	8/2015	.....	F21L 4/00
CN	304818129		*	9/2018	.....	26/2

(Continued)

OTHER PUBLICATIONS

“LED Work Light,” Apr. 25, 2016, amazon.com, site visited Jul. 28, 2021, URL: <https://www.amazon.com/Coquimbo-Rechargeable-360%C2%B0Rotate-Flashlight-Inspection/dp/B07G9X19G1> (Year: 2016).\*

(Continued)

*Primary Examiner* — Eric L Goodman

*Assistant Examiner* — Sarah L Smith

(74) *Attorney, Agent, or Firm* — Quarles & Brady LLP;  
James J. Aquilina

(57) **CLAIM**

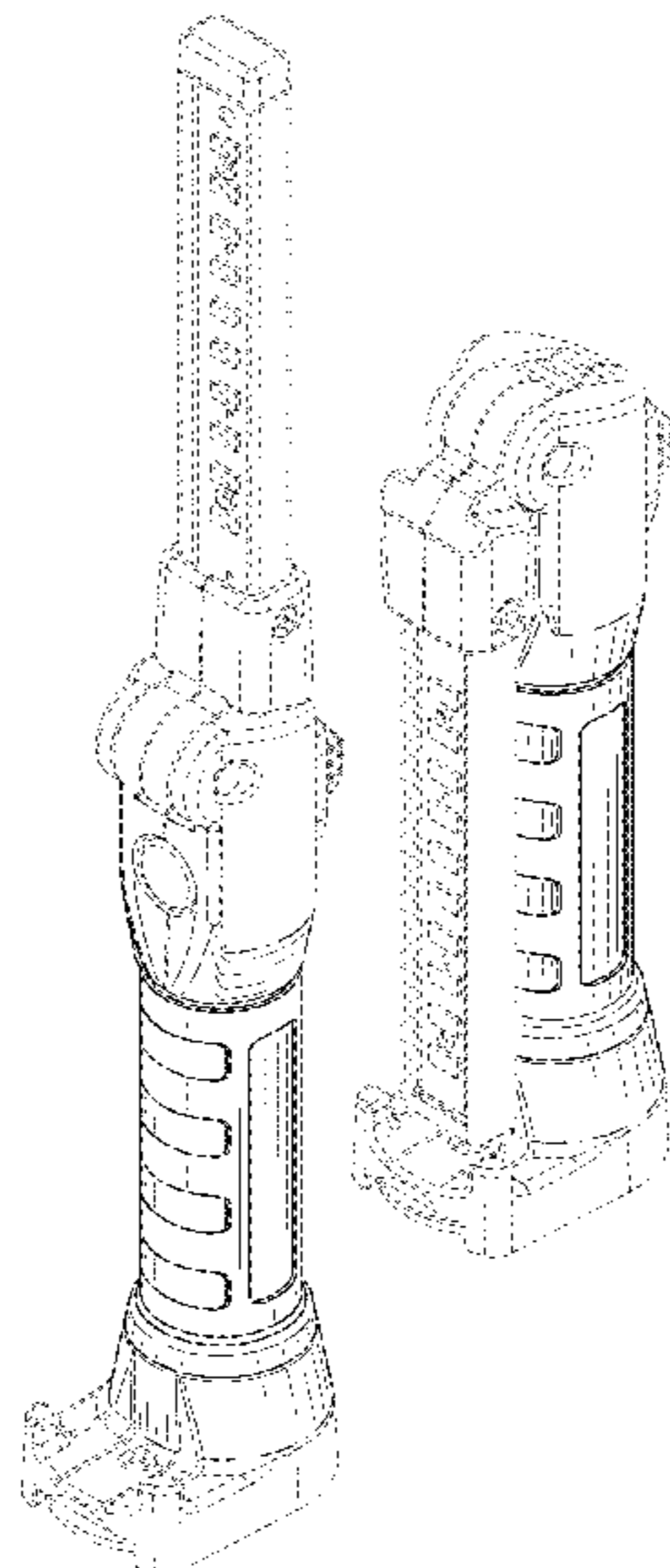
The ornamental design for a lighting device, as shown and described.

**DESCRIPTION**

FIG. 1 is a front perspective view of a lighting device showing my new design, in an unfolded configuration; FIG. 2 is a front view thereof; FIG. 3 is a rear view thereof; FIG. 4 is a left side view thereof; FIG. 5 is a right side view thereof; FIG. 6 is a top view thereof; and, FIG. 7 is a front perspective view thereof, in a folded configuration.

The dashed broken lines in the Figures show unclaimed portions of the lighting device. The oblique line shading in FIGS. 1-5 and 7 show translucent or transparent materials. The dash-dot broken lines represent boundary lines and form no part of the design. The bottom view is omitted and forms no part of the claimed design.

**1 Claim, 4 Drawing Sheets**



(56)

References Cited

U.S. PATENT DOCUMENTS

D703,357	S *	4/2014	Grandadam	.....	D26/44
D732,215	S	6/2015	Su		
D740,987	S *	10/2015	Keeley	.....	D26/49
D742,568	S *	11/2015	Abernethy	.....	D26/42
D765,898	S	9/2016	Caito et al.		
D767,183	S	9/2016	Caito et al.		
D794,236	S *	8/2017	Kovacik	.....	D26/42
D796,366	S *	9/2017	Talamo	.....	D10/114.9
D819,245	S	5/2018	Garza		
D840,075	S *	2/2019	Bao	.....	D26/44
D851,309	S *	6/2019	Sharrah	.....	D26/44
D879,344	S *	3/2020	Bao	.....	F21L 4/02
					D26/42
D881,430	S *	4/2020	Mao	.....	D26/37
D898,256	S *	10/2020	Peng	.....	D26/42
D898,258	S *	10/2020	Bao	.....	D26/44
D898,259	S *	10/2020	Bao	.....	D26/44
D904,658	S *	12/2020	Bao	.....	F21V 21/096
					D26/42
D916,340	S *	4/2021	Chen	.....	D26/44
2005/0007778	A1	1/2005	Lin		
2009/0290335	A1	11/2009	Levine		
2011/0286206	A1 *	11/2011	Tucker	.....	F21L 4/02
					362/184
2012/0008310	A1 *	1/2012	Staeubli	.....	F21L 4/04
					362/119
2013/0258650	A1 *	10/2013	Sharrah	.....	F21V 23/026
					362/217.13
2015/0131276	A1 *	5/2015	Thompson	.....	F21V 21/096
					362/191
2018/0283623	A1 *	10/2018	Bian	.....	F21L 4/02

FOREIGN PATENT DOCUMENTS

CN	304822730	*	9/2018	.....	26/2
CN	305024050	*	2/2019	.....	26/2
EM	004541076-0004	*	2/2018	.....	26/5

OTHER PUBLICATIONS

“Streamlight, Inc.,” Nov. 3, 2017, facebook.com, site visited Jul. 28, 2021, URL: <https://www.facebook.com/streamlight/photos/1598013826887704> (Year: 2017).\*

“Snap on Rechargeable Work Light, New VS Old,” Dec. 16, 2018, youtube.com, site visited Jul. 28, 2021, URL: <https://www.youtube.com/watch?v=01nsaH2hZ4M> (Year: 2018).\*

Ultra Slim Rechargeable Worklight Light Torch 150 Degree Folding Head 15 LEDs, [online], [Retrieved on Sep. 25, 2017], Retrieved from the internet: <<http://www.ebay.co.uk/itm/Ultra-Slim-Rechargeable-Worklight-Light-Torch-150-Degree-Folding-Head-15-LED-s-/142162906109>>.

Illumibrite COB LED Foldable Work Light, [online], [Retrieved on Sep. 25, 2017], Retrieved from the internet: <[http://www.premierproducts.com/Illumibrite-COB-LED-Foldable-Work-Light\\_p\\_50.html](http://www.premierproducts.com/Illumibrite-COB-LED-Foldable-Work-Light_p_50.html)>.

Saber ATD-80345 500 Lumen COB LED Thin Light with Top Light, [online], [Retrieved on Sep. 25, 2017], Retrieved from the internet: <<https://atdtools.com/80345>>.

Saber ATD-80350 Thin Light with Top Light, [online], [Retrieved on Sep. 25, 2017], Retrieved from the internet: <<https://atdtools.com/80350>>.

Saber ATD-80369 Folding Mini Thin Light with Top Light, [online], [Retrieved on Sep. 25, 2017], Retrieved from the Internet: <<https://atdtools.com/80369>>.

Streamlight Stinger Lite Pipe, [online], [Retrieved on Sep. 25, 2017], Retrieved from the internet: <<http://www.streamlight.com/en/products/detail/index/stinger-lite-pipe>>.

Streamlight Stinger Switchblade LED Light Bar, [online], [Retrieved on Mar. 21, 2019], Retrieved from the internet: <<https://www.streamlight.com/products/detail/index/stinger-switchblade>>.

Streamlight Strion DS HL Flashlight, [online], [Retrieved on Mar. 21, 2019], Retrieved from the internet: <<https://www.streamlight.com/products/detail/index/strion-ds-hl>>.

Streamlight Strion LED HL Flashlight, [online], [Retrieved on Mar. 21, 2019], Retrieved from the internet: <<https://www.streamlight.com/products/detail/index/strion-led-hl>>.

Streamlight Strion LED Flashlight, [online], [Retrieved on Mar. 21, 2019], Retrieved from the internet: <<https://www.streamlight.com/products/detail/index/strion-led>>.

Streamlight Strion HPL Flashlight, [online], [Retrieved on Mar. 21, 2019], Retrieved from the internet: <<https://www.streamlight.com/products/detail/index/strion-hpl>>.

Streamlight Strion DS HPL Flashlight, [online], [Retrieved on Mar. 21, 2019], Retrieved from the internet: <<https://www.streamlight.com/products/detail/index/strion-ds-hpl>>.

Streamlight DS Flashlight, [online], [Retrieved on Mar. 21, 2019], Retrieved from the internet: <<https://www.streamlight.com/products/detail/index/strion-ds>>.

Streamlight Pink Strion LED Handheld Flashlight, [online], [Retrieved on Mar. 21, 2019], Retrieved from the internet: <<https://www.streamlight.com/products/detail/index/pink-strion-led>>.

\* cited by examiner

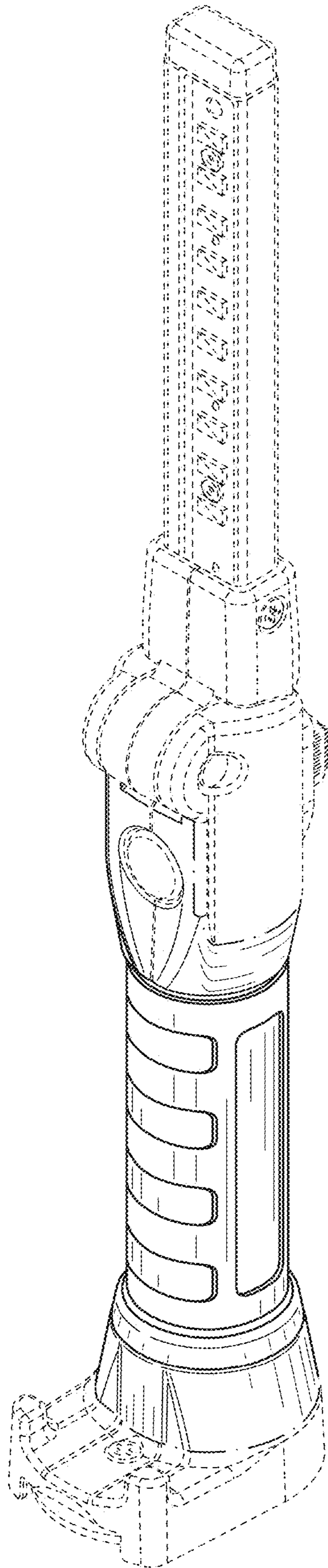


FIG. 1

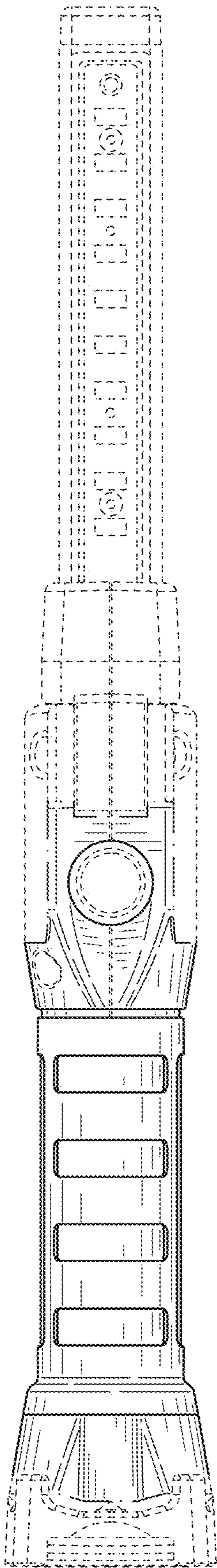


FIG. 2

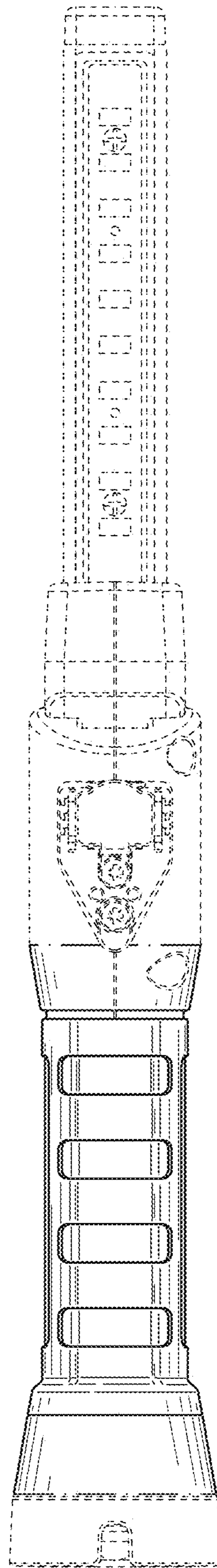


FIG. 3

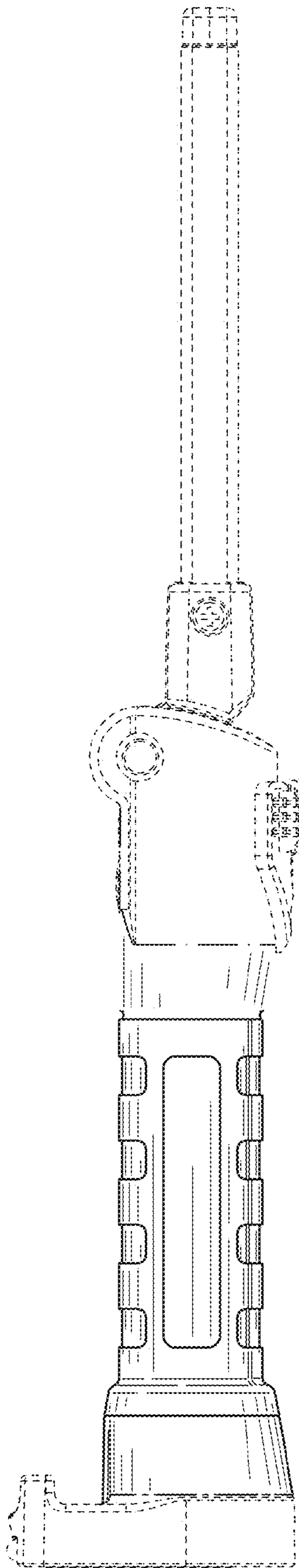


FIG. 4

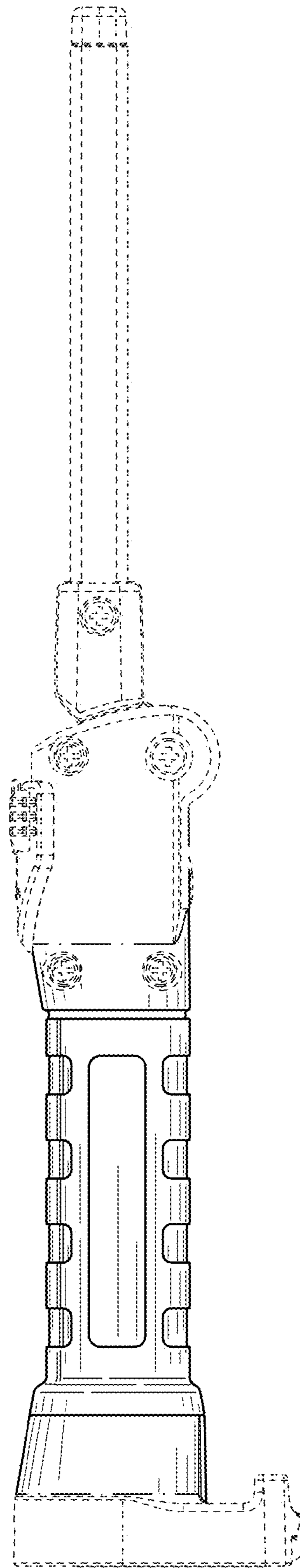
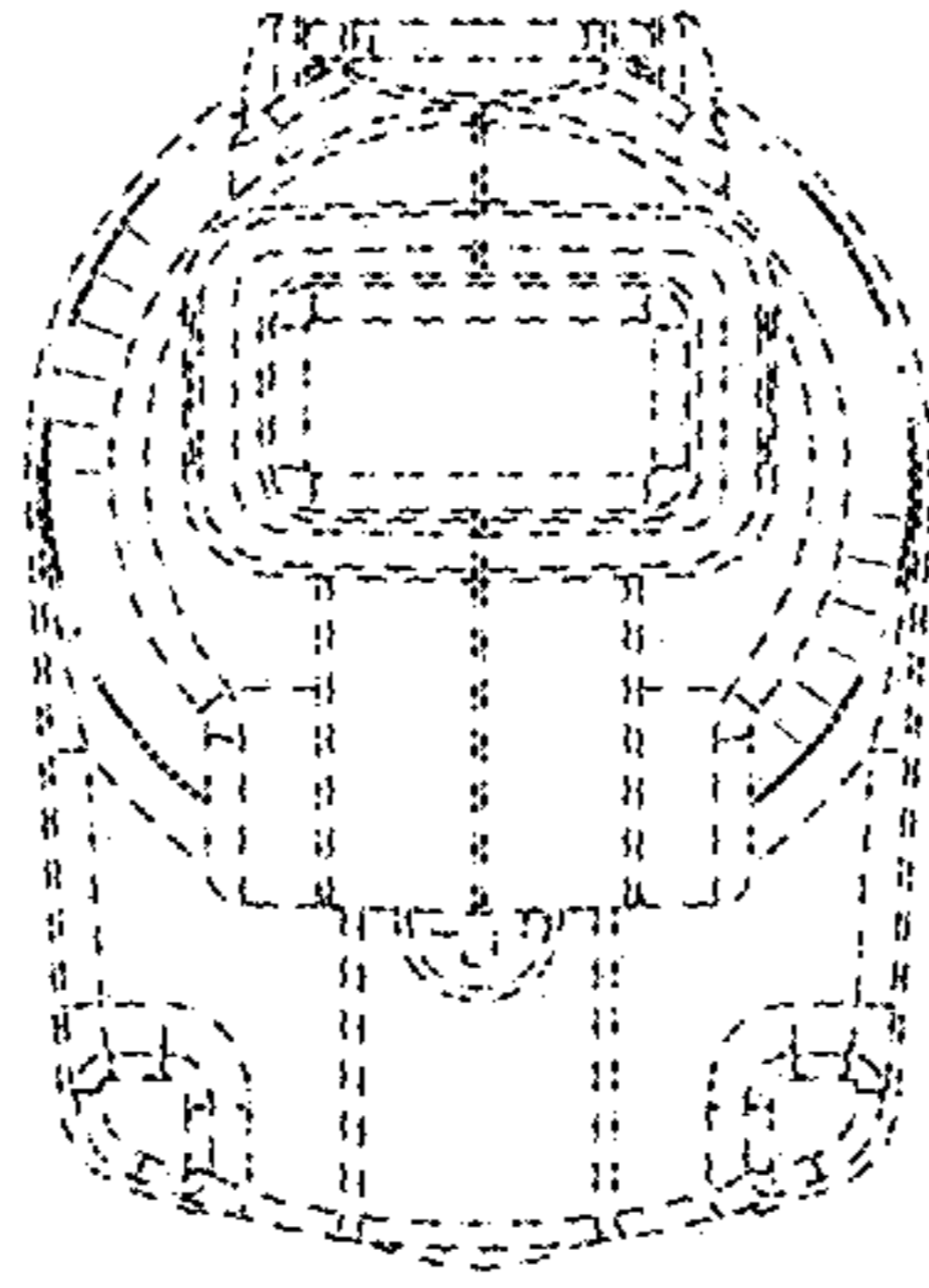
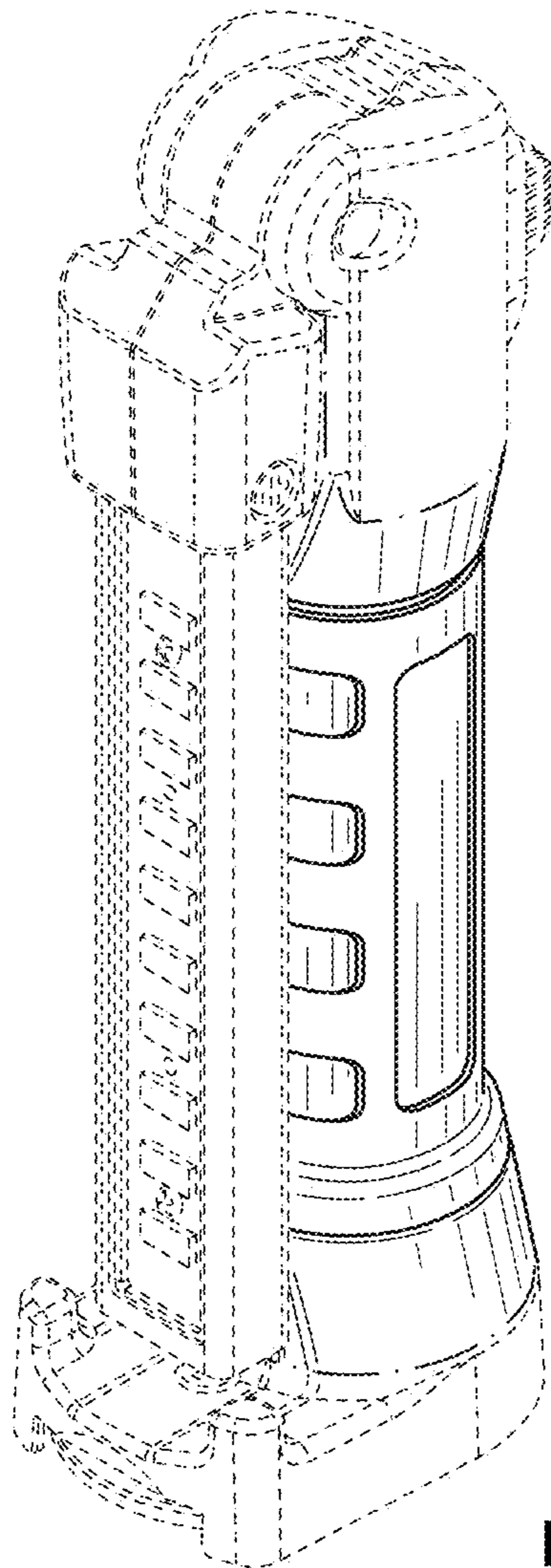


FIG. 5



**FIG. 6**



**FIG. 7**