



US00D943131S

(12) **United States Design Patent** (10) **Patent No.:** **US D943,131 S**
Windom et al. (45) **Date of Patent:** **** Feb. 8, 2022**

(54) **LANTERN**
(71) Applicant: **Coast Cutlery Co.**, Portland, OR (US)
(72) Inventors: **Gregory David Windom**, Portland, OR (US); **Douglas R. Hutchens**, Portland, OR (US); **David D. Lewin**, Portland, OR (US)
(73) Assignee: **Coast Cutlery Co.**, Portland, OR (US)

D809,689 S * 2/2018 Marshall D26/41
D809,690 S * 2/2018 Marshall D26/41
D823,506 S * 7/2018 Shiu D26/40
D844,201 S * 3/2019 Khubani D26/40
D846,168 S * 4/2019 Badici D26/40
D861,941 S * 10/2019 Hammer D26/40
D863,634 S * 10/2019 Xu D26/41
2015/0009660 A1 * 1/2015 Lee F21L 4/00
362/186

(**) Term: **15 Years**
(21) Appl. No.: **29/682,480**
(22) Filed: **Mar. 5, 2019**

(51) **LOC (13) Cl.** **26-02**
(52) **U.S. Cl.**
USPC **D26/40**
(58) **Field of Classification Search**
USPC D26/37-51, 63
CPC F21L 2003/00; F21L 4/005; F21L 4/02;
F21L 4/025; F21L 4/027; F21L 4/04;
F21L 4/08; F21L 2005/00; F21L 7/00;
F21L 11/00; F21L 13/00; F21L 13/04;
F21L 13/08; F21L 14/02; F21L 17/00;
F21L 19/00; F21L 25/00; F21L 2/00;
F21L 4/00-4/085; F21L 15/00-15/14;
F21L 2001/00

See application file for complete search history.

(56) **References Cited**

U.S. PATENT DOCUMENTS

D424,227 S * 5/2000 Long D26/50
D535,419 S * 1/2007 Shiu D26/40
D608,920 S * 1/2010 Loi D26/40
D658,324 S * 4/2012 Reimann D26/40
D707,378 S * 6/2014 Shiu D26/41
D725,300 S * 3/2015 Dalton D26/40
D794,235 S * 8/2017 Green D26/40
D809,688 S * 2/2018 Christensen D26/41

OTHER PUBLICATIONS

Amazon.comz_ Coast Coast Coast EAL22—Linterna LED de emergencia https://www.amazon.com/Coast-EAL22-Linterna-emergencia-l%C3%BAmenes/dp/B082N6BK1J?ref_ast_sto_dpAvailable Dec. 11, 2019 (Year: 2019).*

(Continued)

Primary Examiner — Leanne Was-Englehart
(74) *Attorney, Agent, or Firm* — Schwabe Williamson & Wyatt, P.C.

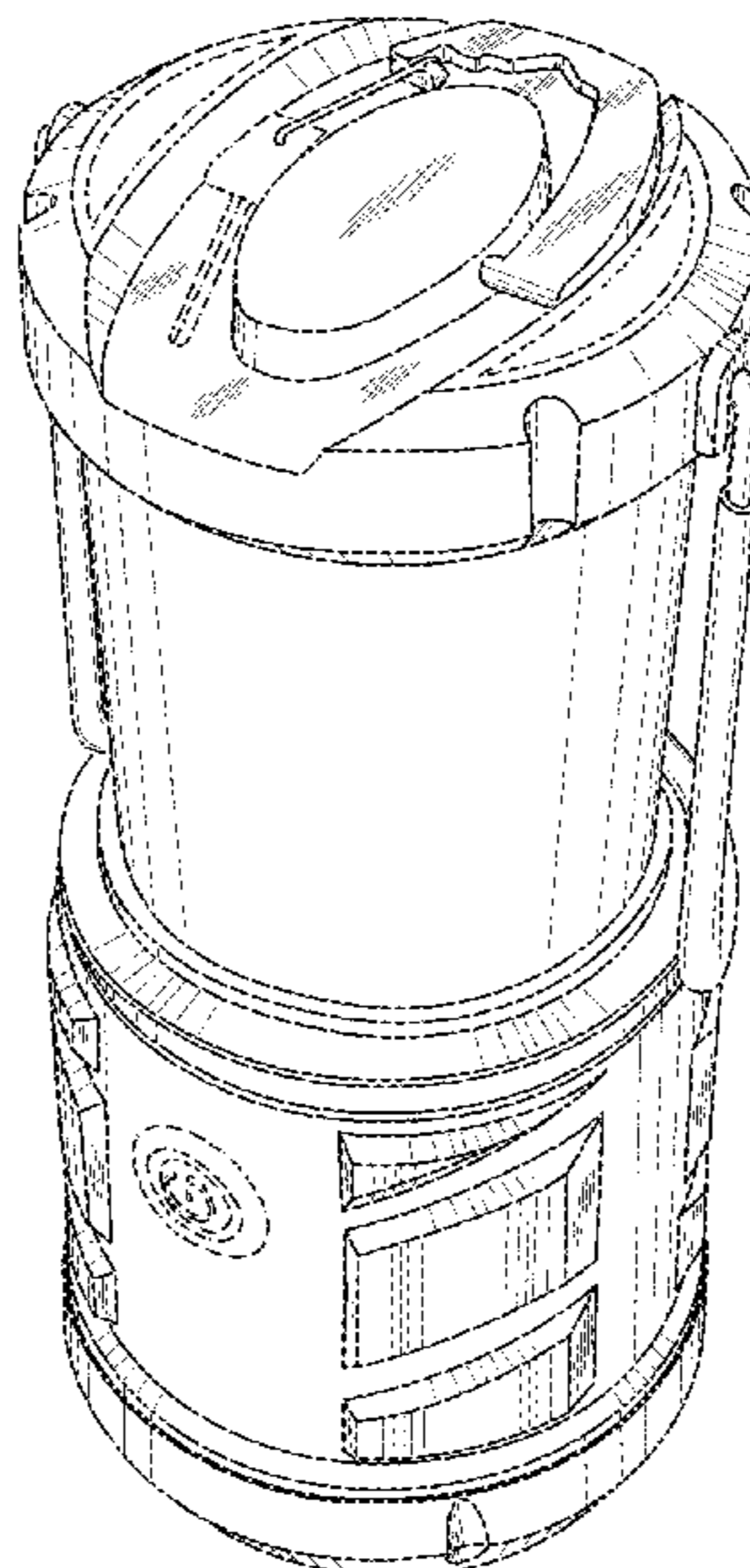
(57) **CLAIM**

We claim the ornamental design for a lantern, as shown and described.

DESCRIPTION

FIG. 1 is a perspective view of the lantern;
FIG. 2 is a front elevation view of the lantern of FIG. 1;
FIG. 3 is a rear elevation view of the lantern of FIG. 1;
FIG. 4 is a side elevation view of the lantern of FIG. 1;
FIG. 5 is a side elevation view of the lantern of FIG. 1, with the lantern turned 180 degrees from FIG. 4;
FIG. 6 is a top plan view of the lantern of FIG. 1;
FIG. 7 is a bottom view of the lantern of FIG. 1; and,
FIG. 8 is a perspective view of the lantern of FIG. 1 except that the lantern handle is in a raised position.
The broken lines show portions of the article, which form no part of the claimed design.

1 Claim, 5 Drawing Sheets



(56)

References Cited

OTHER PUBLICATIONS

Amazon.com_ Coast EAL13—Linterna LED de emergencia https://www.amazon.com/dp/B082N61GGQ/ref=sspa_dk_detail_1?psc=1&pd_rd_i=B082N61GGQ&pd_rd_w=jXW0J&pf_rd_p=7771f1a2-d77a-4098-a19e-6d9a1e65f44d&pd_rd_wg=v3M7l&pf_rd_r=1FSR7A798TGKTKNKRX0N&pd_rd_r=b8c8dff7-9d64-4d0a-b519-8181a620322e&spLa=ZW Dec. 11, 2019 (Year: 2019).*

EAL Lanterns YouTube <https://www.youtube.com/watch?v=2zyNgCcsjU0> Posted Jan. 23, 2019 (Year: 2019).*

* cited by examiner

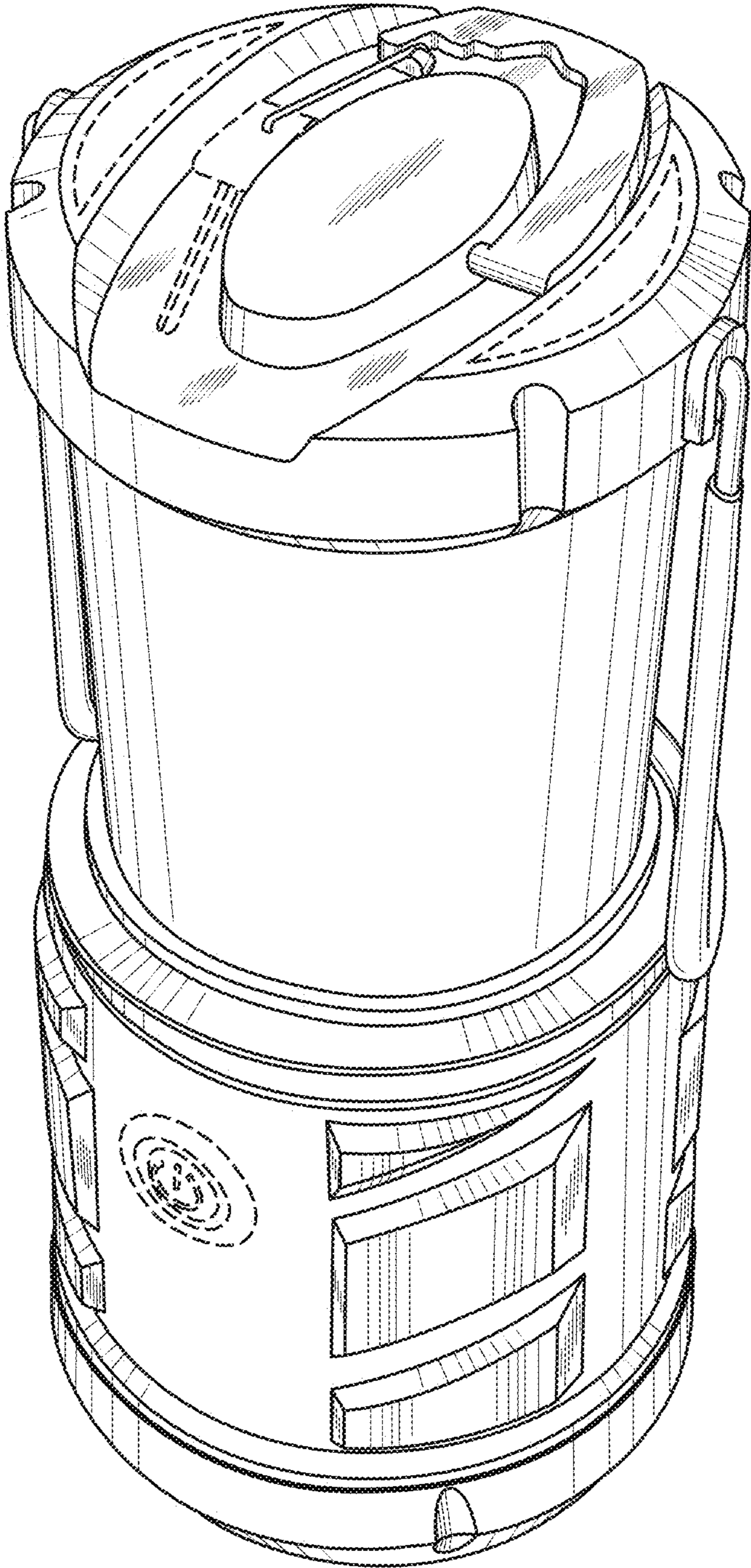


FIG. 1

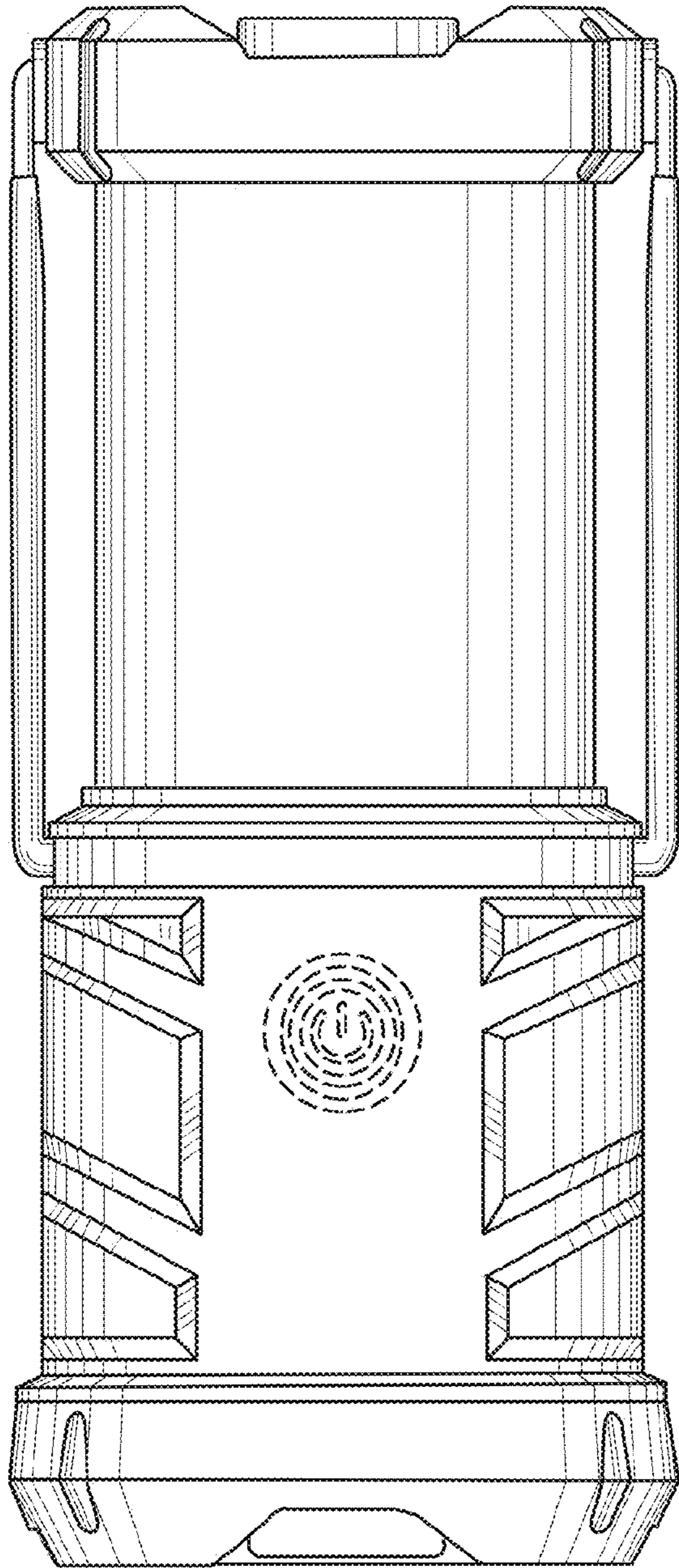


FIG. 2

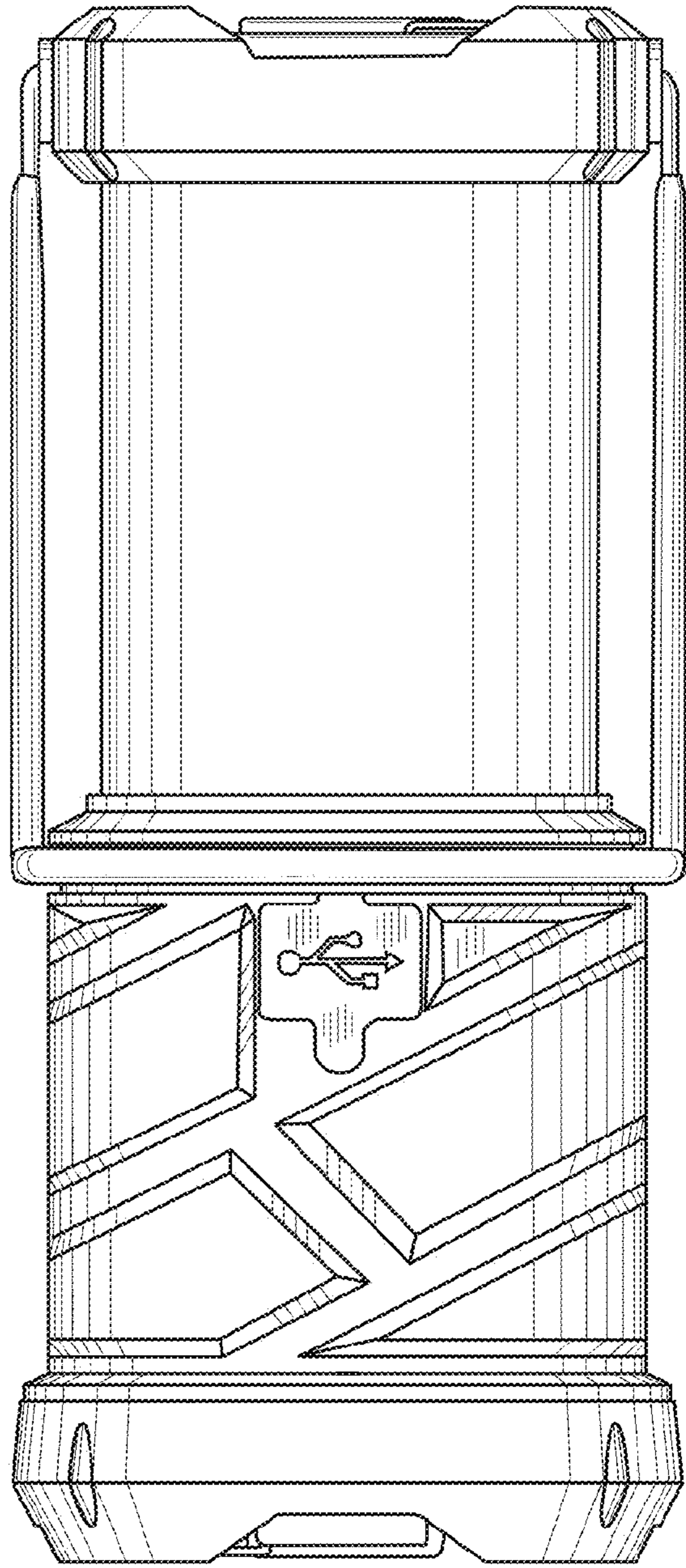


FIG. 3

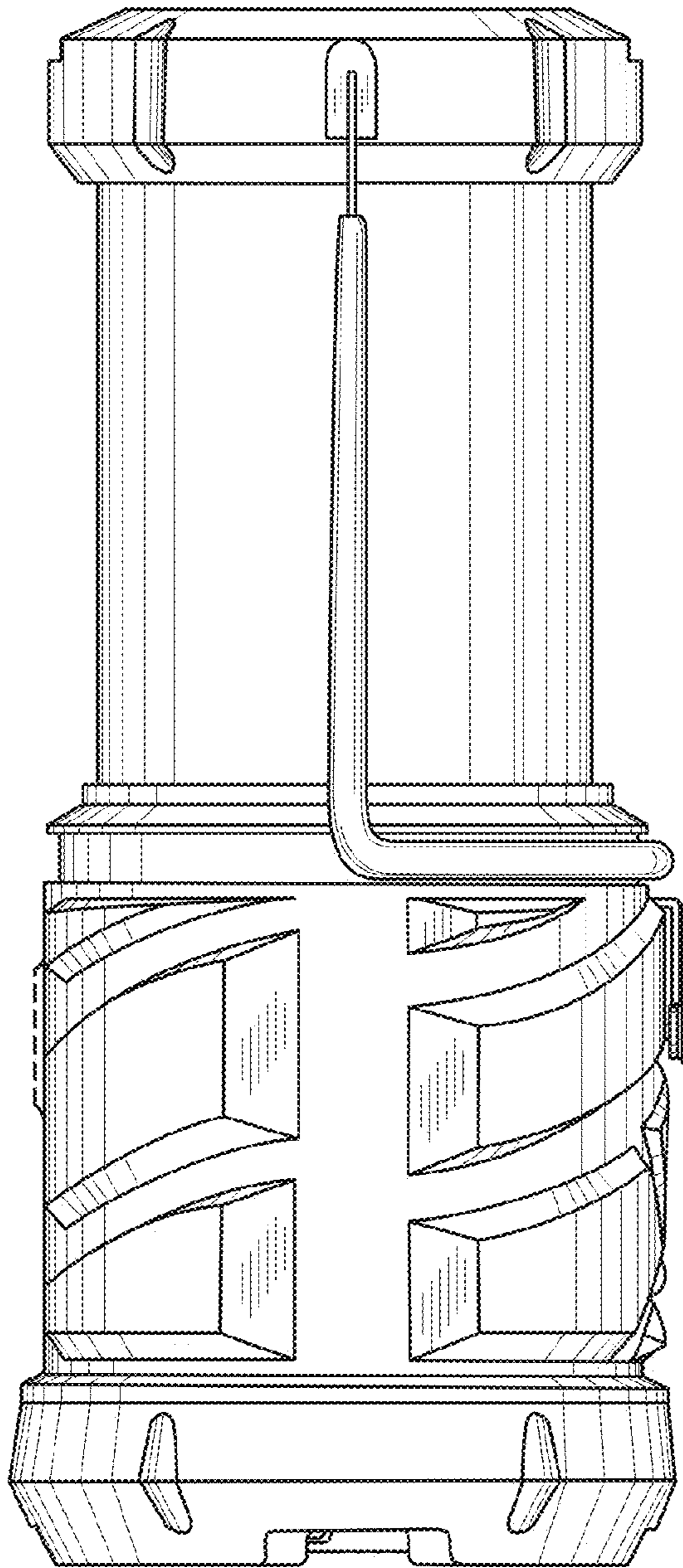


FIG. 4

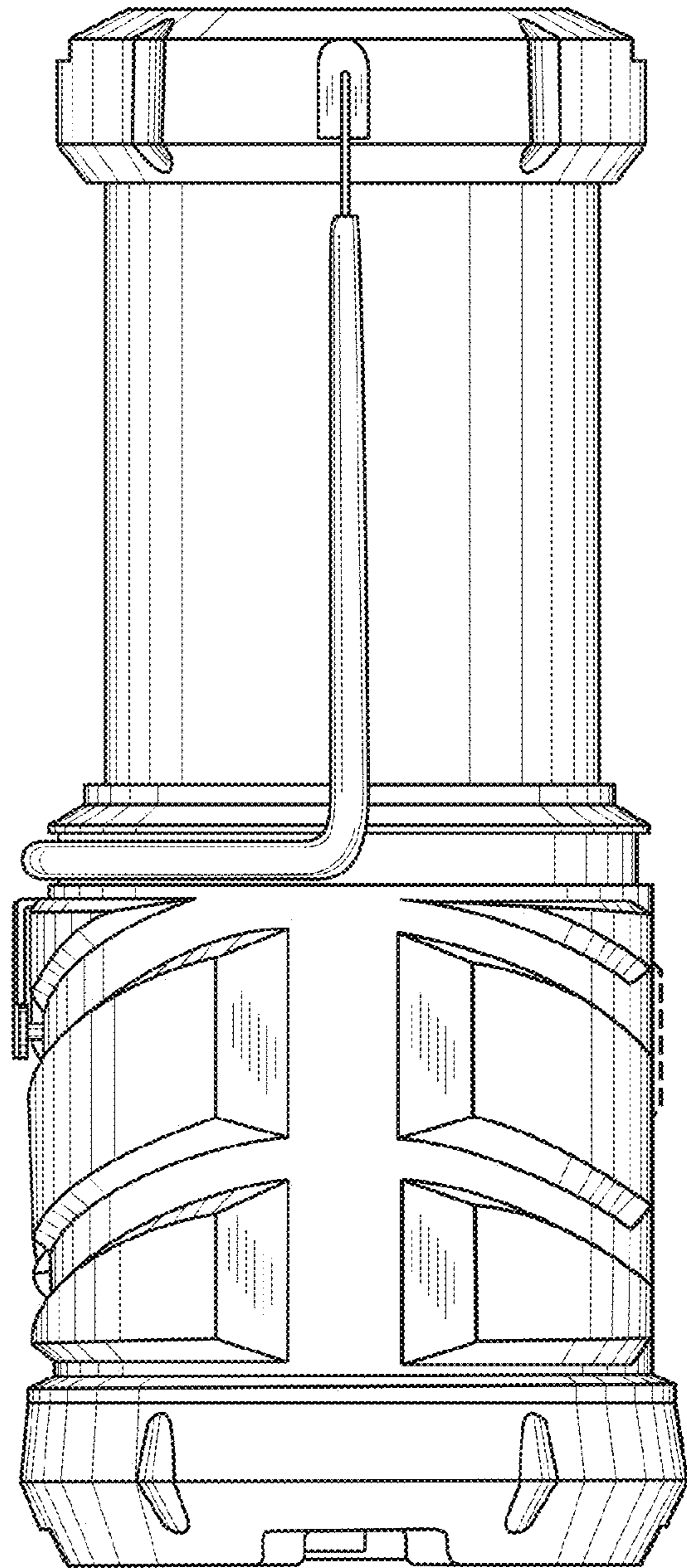


FIG. 5

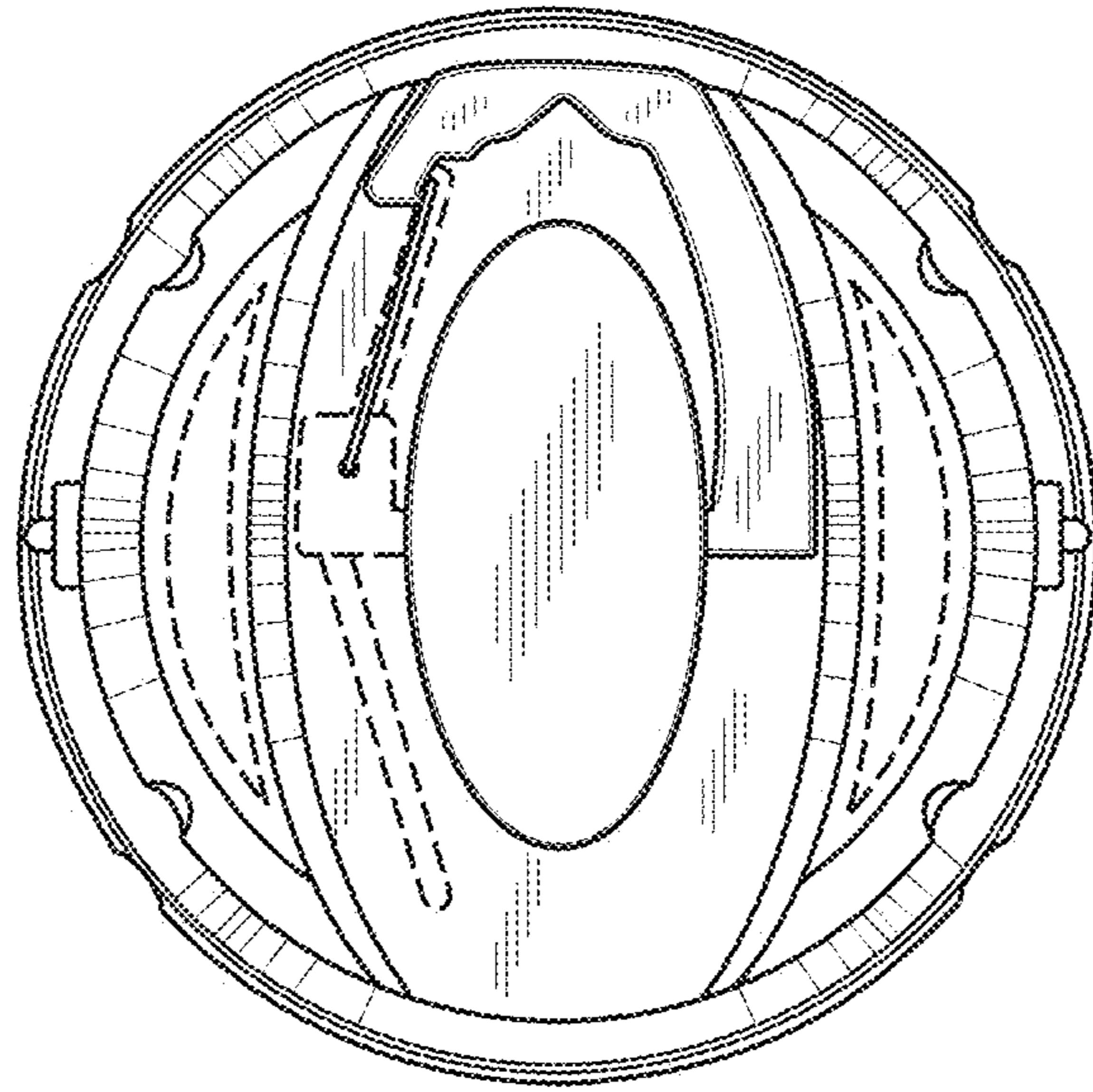


FIG. 6

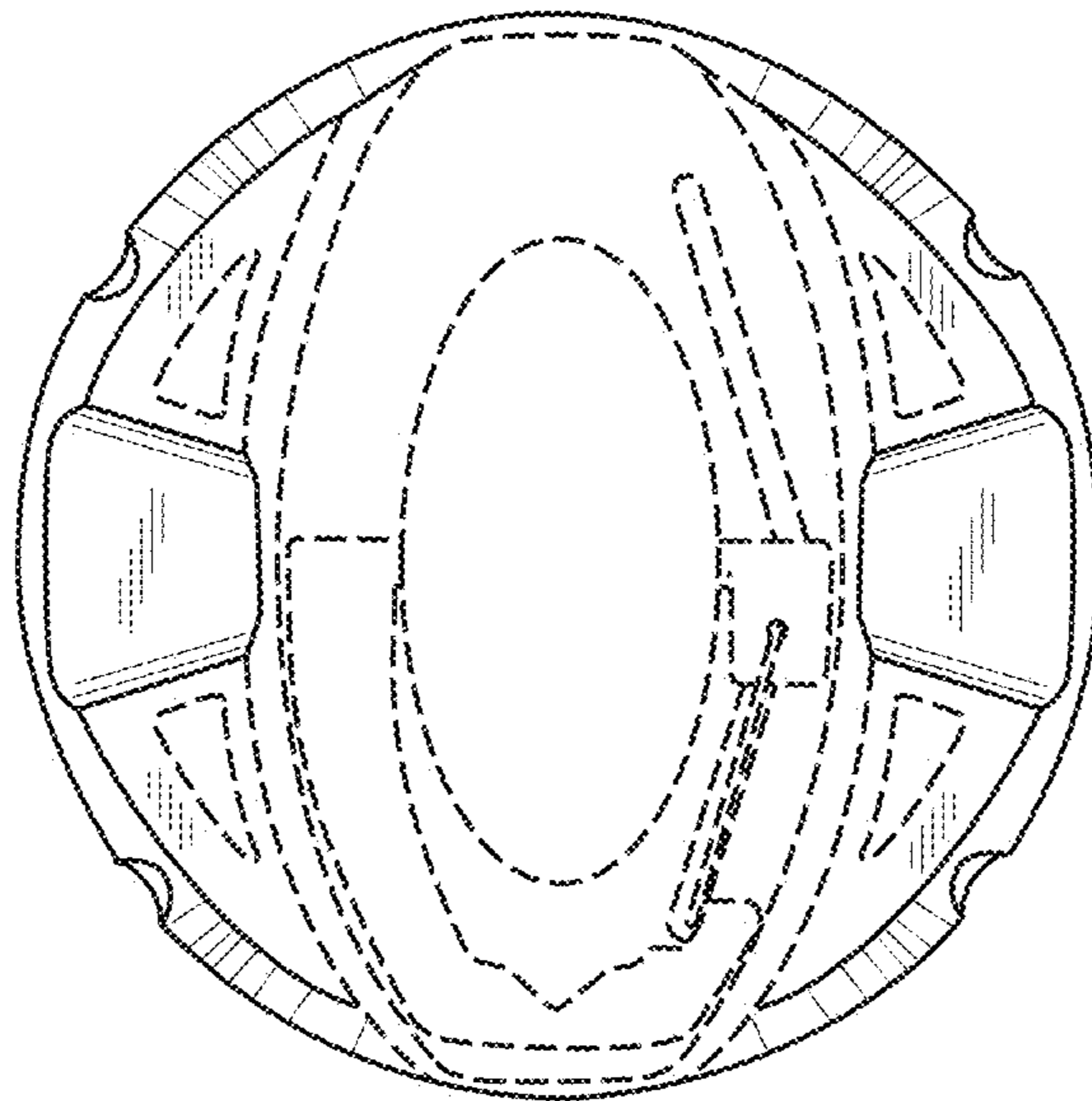


FIG. 7

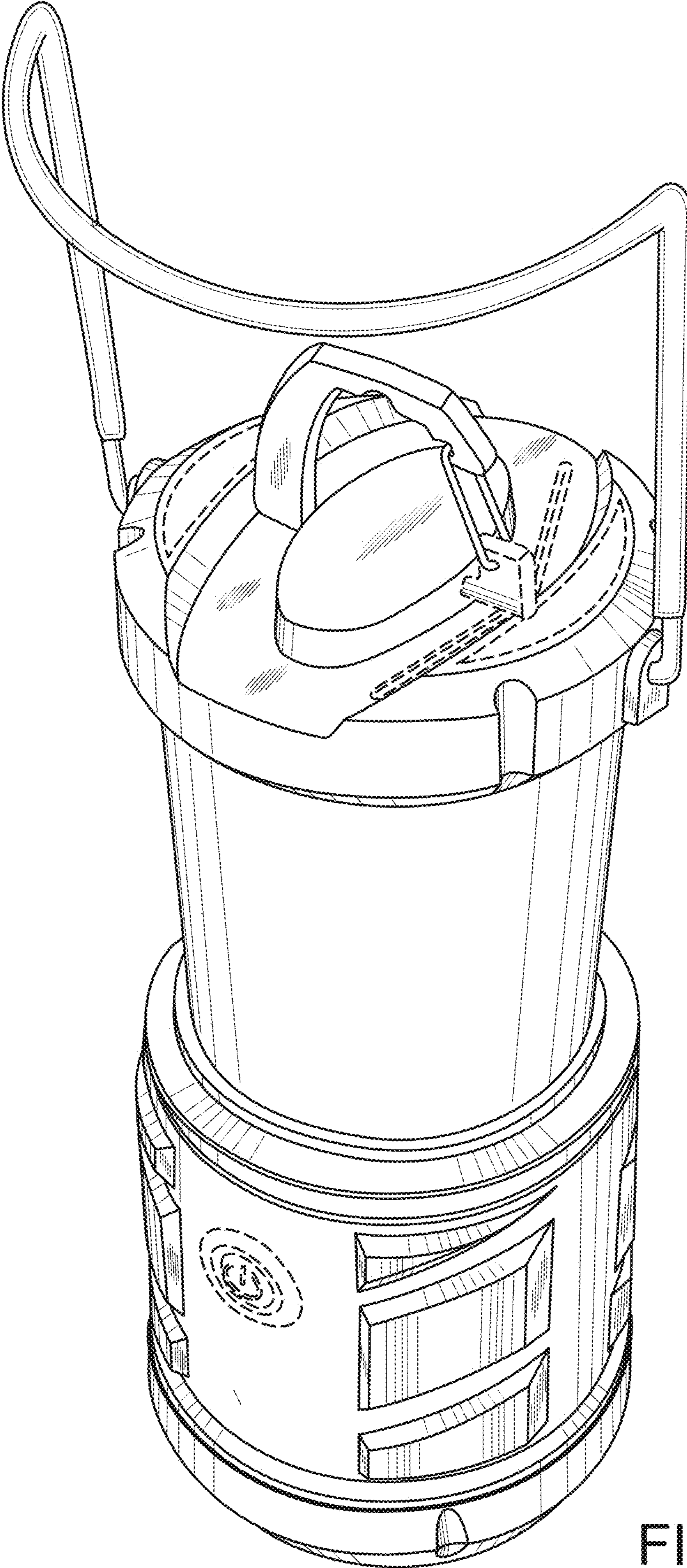


FIG. 8