



US00D943130S

(12) **United States Design Patent** (10) **Patent No.:** **US D943,130 S**  
**Windom et al.** (45) **Date of Patent:** **\*\* Feb. 8, 2022**

- (54) **LANTERN**
- (71) Applicant: **Coast Cutlery Co.**, Portland, OR (US)
- (72) Inventors: **Gregory David Windom**, Portland, OR (US); **Douglas R. Hutchens**, Portland, OR (US); **David D. Lewin**, Portland, OR (US)
- (73) Assignee: **Coast Cutlery Co.**, Portland, OR (US)
- (\*\*) Term: **15 Years**
- (21) Appl. No.: **29/682,479**
- (22) Filed: **Mar. 5, 2019**
- (51) **LOC (13) Cl.** ..... **26-02**
- (52) **U.S. Cl.**  
USPC ..... **D26/40**
- (58) **Field of Classification Search**  
USPC ..... D26/37-51, 63  
CPC ..... F21L 2003/00; F21L 4/00-4/085; F21L 4/005; F21L 4/02; F21L 4/025; F21L 4/027; F21L 4/04; F21L 4/08; F21L 2005/00; F21L 7/00; F21L 11/00; F21L 13/00; F21L 13/04; F21L 13/08; F21L 14/02; F21L 17/00; F21L 19/00; F21L 2/00; F21L 25/00; F21L 15/00-15/14; F21L 2001/00  
See application file for complete search history.

D846,168 S \* 4/2019 Badici ..... D26/40  
 D861,941 S \* 10/2019 Hammer ..... D26/40  
 D863,634 S \* 10/2019 Xu ..... D26/41  
 2015/0009660 A1\* 1/2015 Lee ..... F21L 4/00  
 362/186

**OTHER PUBLICATIONS**

Amazon.com\_ Coast Coast Coast EAL22—Linterna LED de emergencia [https://www.amazon.com/Coast-EAL22-Linterna-emergencia-l%C3%BAmenes/dp/B082N6BK1J?ref\\_ast\\_sto\\_dp](https://www.amazon.com/Coast-EAL22-Linterna-emergencia-l%C3%BAmenes/dp/B082N6BK1J?ref_ast_sto_dp) Available Dec. 11, 2019 (Year: 2019).\*

Amazon.com\_ Coast EAL13—Linterna LED de emergencia [https://www.amazon.com/dp/B082N61GGQ/ref=sspa\\_dk\\_detail\\_1?psc=1&pd\\_rd\\_i=B082N61GGQ&pd\\_rd\\_w=jXW0J&pf\\_rd\\_p=7771f1a2-d77a-4098-a19e-6d9a1e65f44d&pd\\_rd\\_wg=v3M7I&pf\\_rd\\_r=1FSR7A798TGKTKNKRX0N&pd\\_rd\\_r=b8c8dff7-9d64-4d0a-b519-8181a620322e&spLa=ZW](https://www.amazon.com/dp/B082N61GGQ/ref=sspa_dk_detail_1?psc=1&pd_rd_i=B082N61GGQ&pd_rd_w=jXW0J&pf_rd_p=7771f1a2-d77a-4098-a19e-6d9a1e65f44d&pd_rd_wg=v3M7I&pf_rd_r=1FSR7A798TGKTKNKRX0N&pd_rd_r=b8c8dff7-9d64-4d0a-b519-8181a620322e&spLa=ZW) Dec. 11, 2019 (Year: 2019).\*

EAL Lanterns YouTube <https://www.youtube.com/watch?v=2zyNgCcsjU0> Posted Jan. 23, 2019 (Year: 2019).\*

\* cited by examiner

*Primary Examiner* — Leanne Was-Englehart  
 (74) *Attorney, Agent, or Firm* — Schwabe Williamson & Wyatt, P.C.

(57) **CLAIM**

We claim the ornamental design for a lantern, as shown and described.

(56) **References Cited**

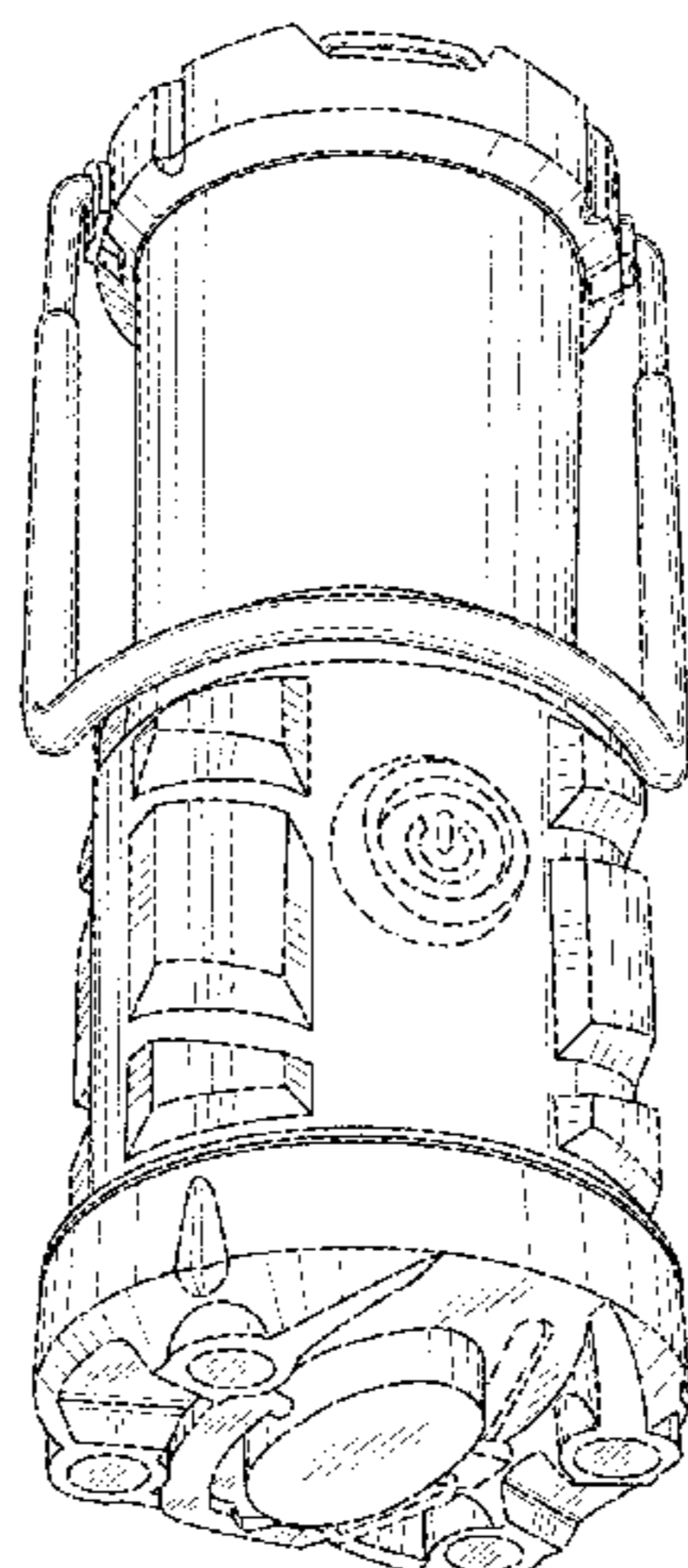
**U.S. PATENT DOCUMENTS**

D424,227	S	*	5/2000	Long	.....	D26/50
D535,419	S	*	1/2007	Shiu	.....	D26/40
D608,920	S	*	1/2010	Loibl	.....	D26/40
D658,324	S	*	4/2012	Reimann	.....	D26/40
D707,378	S	*	6/2014	Shiu	.....	D26/41
D725,300	S	*	3/2015	Dalton	.....	D26/40
D794,235	S	*	8/2017	Green	.....	D26/40
D809,688	S	*	2/2018	Christensen	.....	D26/41
D809,689	S	*	2/2018	Marshall	.....	D26/41
D809,690	S	*	2/2018	Marshall	.....	D26/41
D823,506	S	*	7/2018	Shiu	.....	D26/40
D844,201	S	*	3/2019	Khubani	.....	D26/40

**DESCRIPTION**

FIG. 1 is a perspective view of the lantern;  
 FIG. 2 is a front elevation view of the lantern of FIG. 1;  
 FIG. 3 is a rear elevation view of the lantern of FIG. 1;  
 FIG. 4 is a side elevation view of the lantern of FIG. 1;  
 FIG. 5 is a side elevation view of the lantern of FIG. 1, with the lantern turned 180 degrees from FIG. 4;  
 FIG. 6 is a top plan view of the lantern of FIG. 1;  
 FIG. 7 is a bottom view of the lantern of FIG. 1; and,  
 FIG. 8 is a perspective view of the lantern of FIG. 1 except that the lantern handle is in a raised position.

(Continued)



The broken lines show portions of the article, which form no part of the claimed design.

**1 Claim, 5 Drawing Sheets**

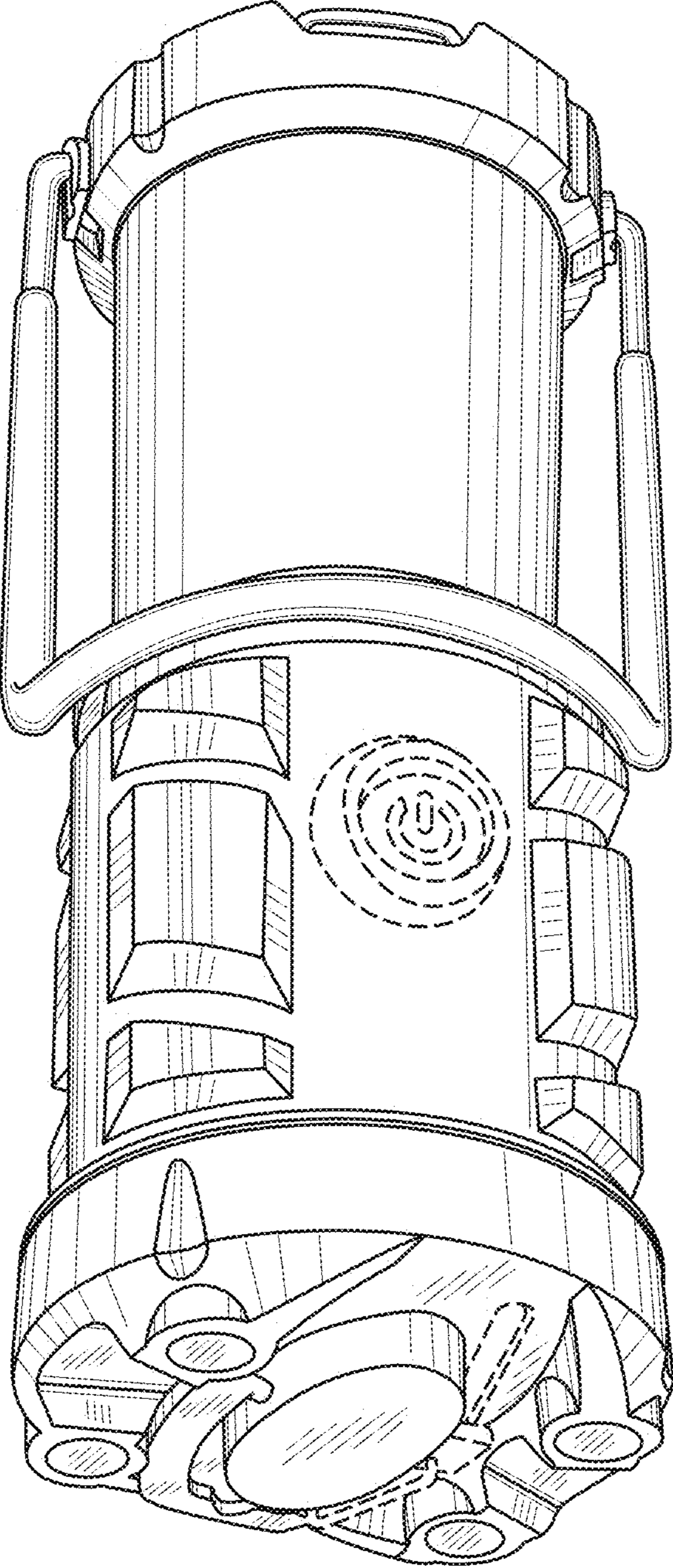


FIG. 1

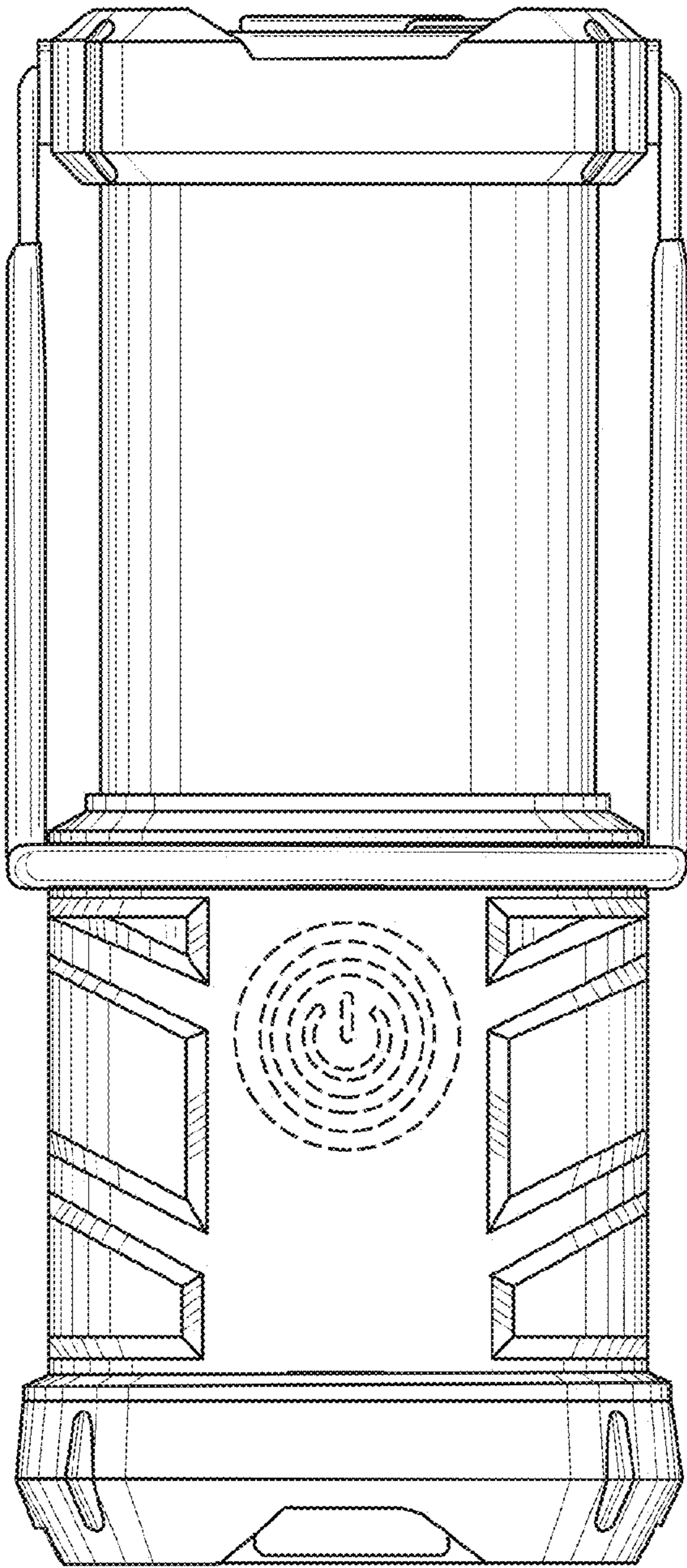


FIG. 2

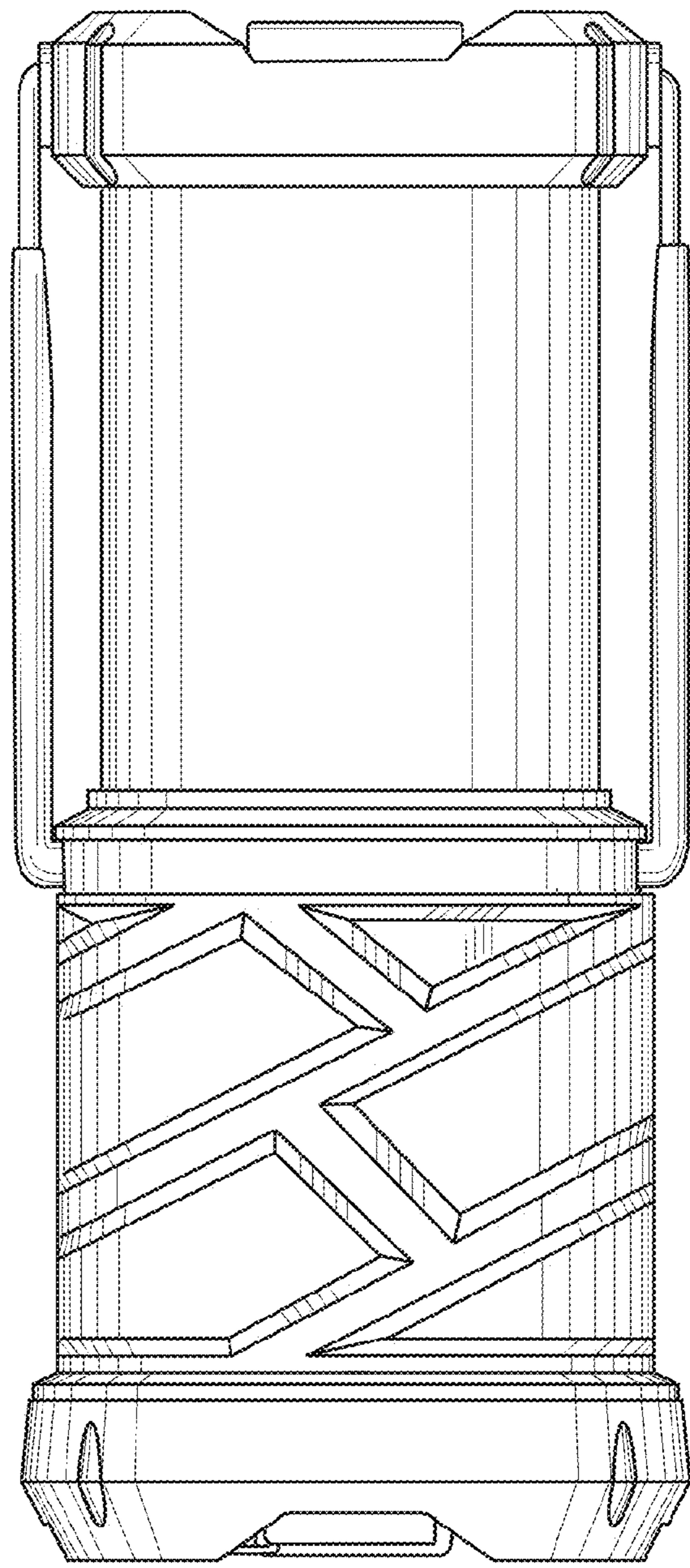


FIG. 3

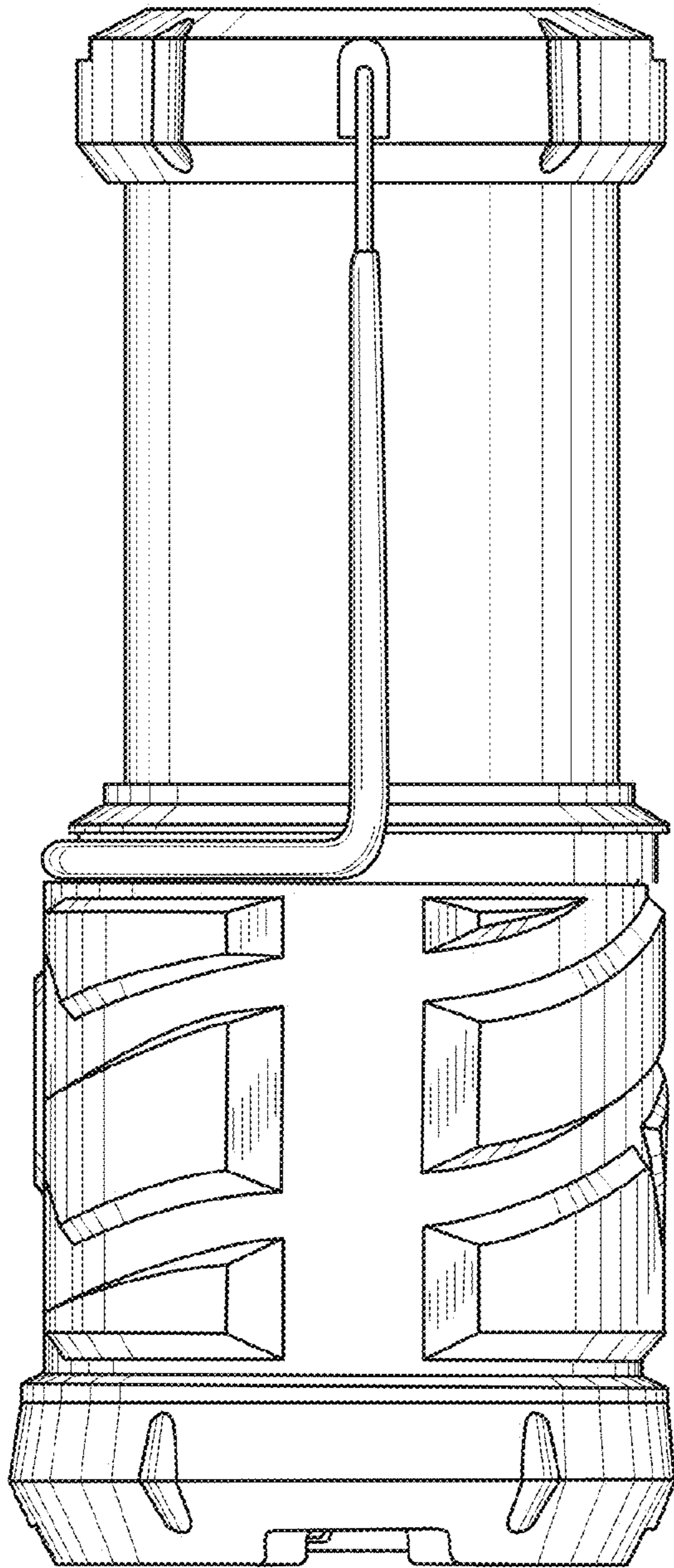


FIG. 4

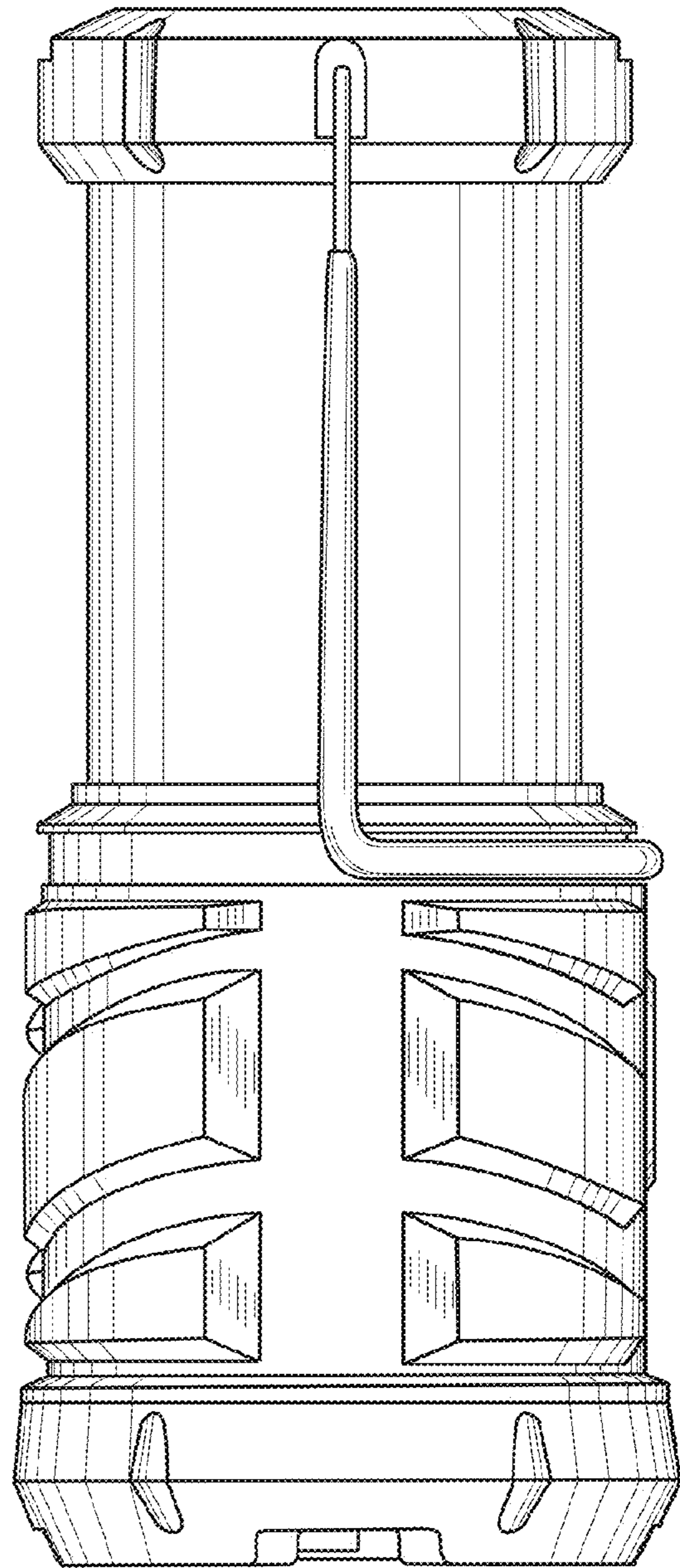


FIG. 5

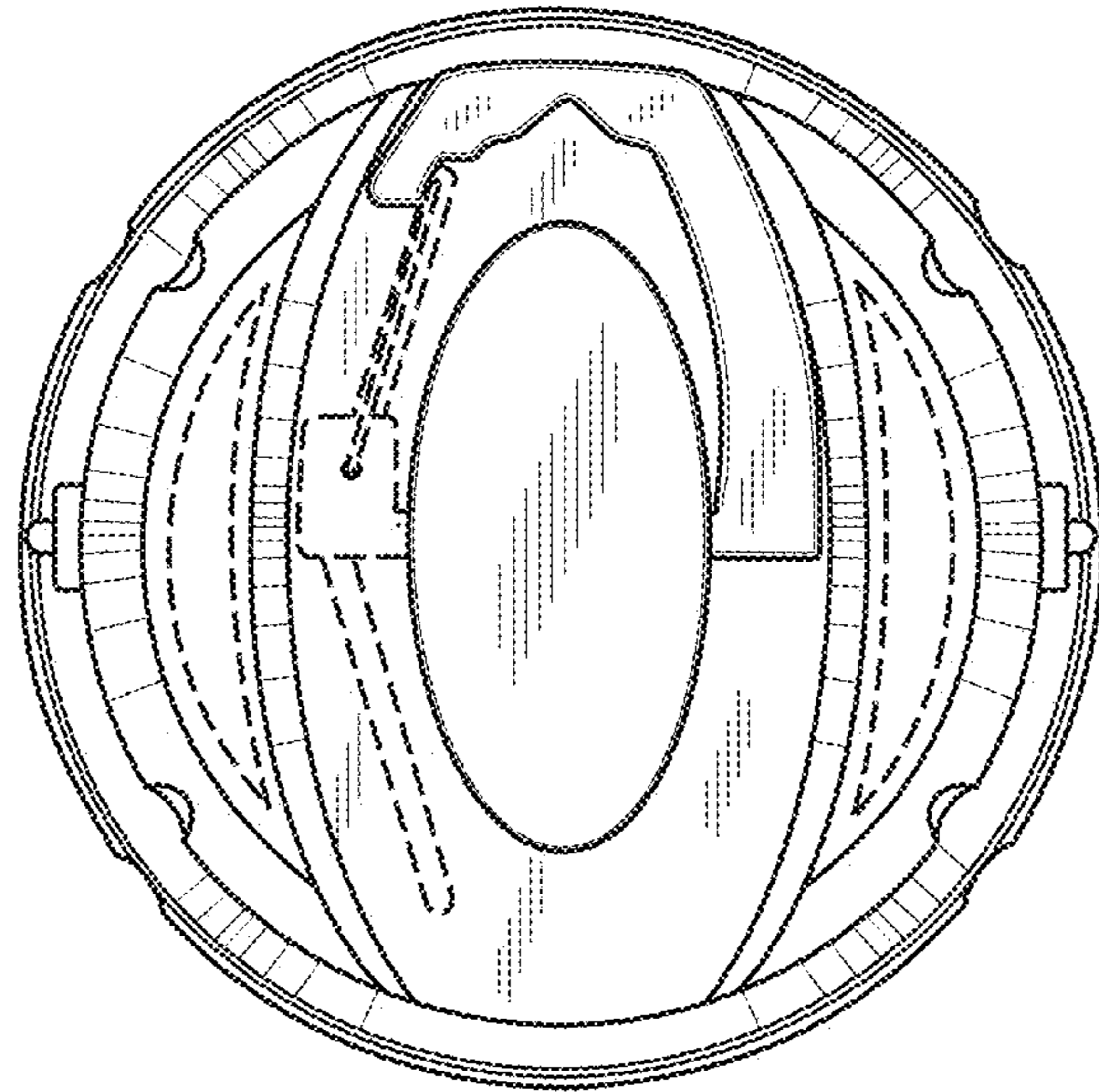


FIG. 6

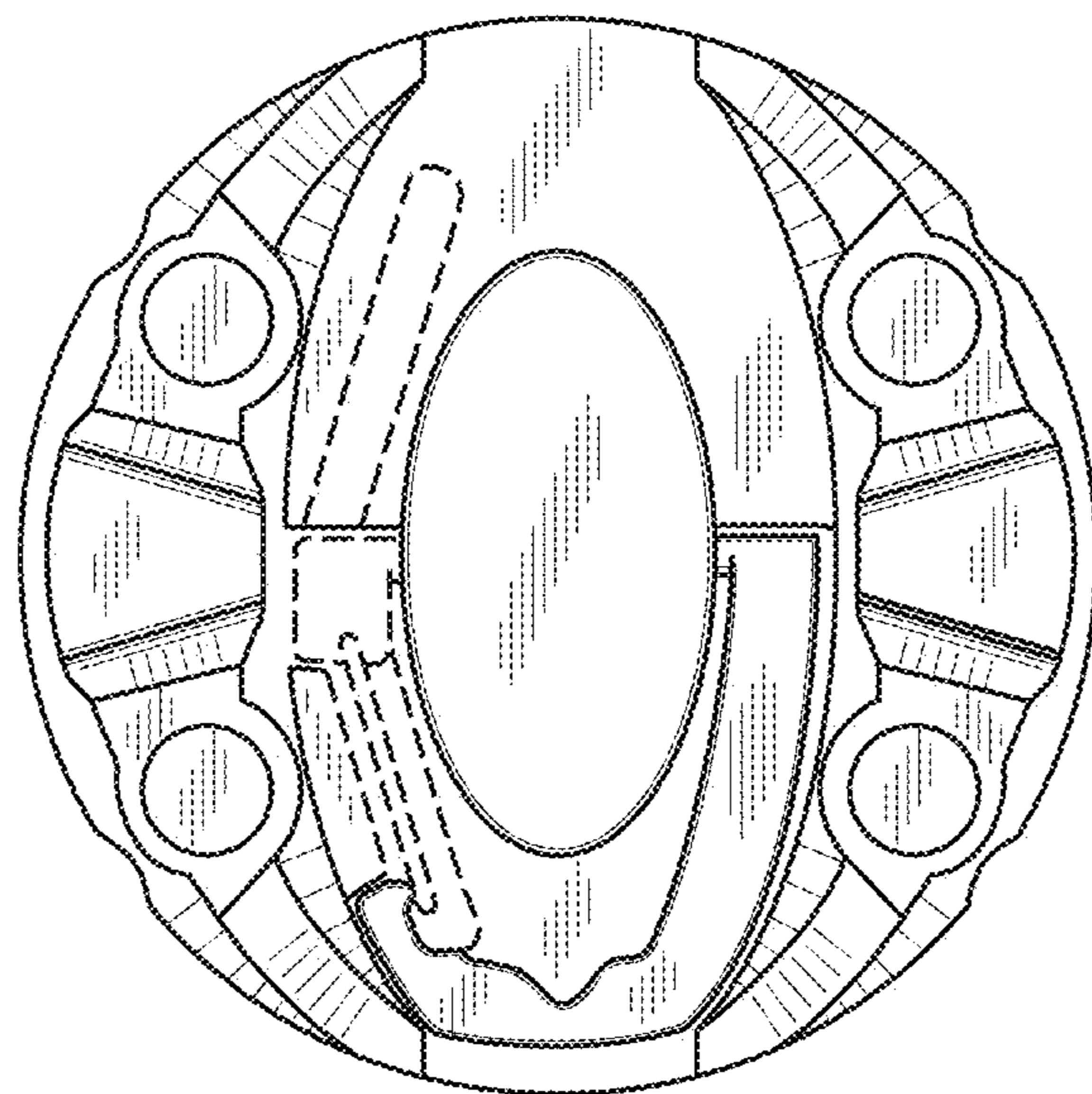


FIG. 7

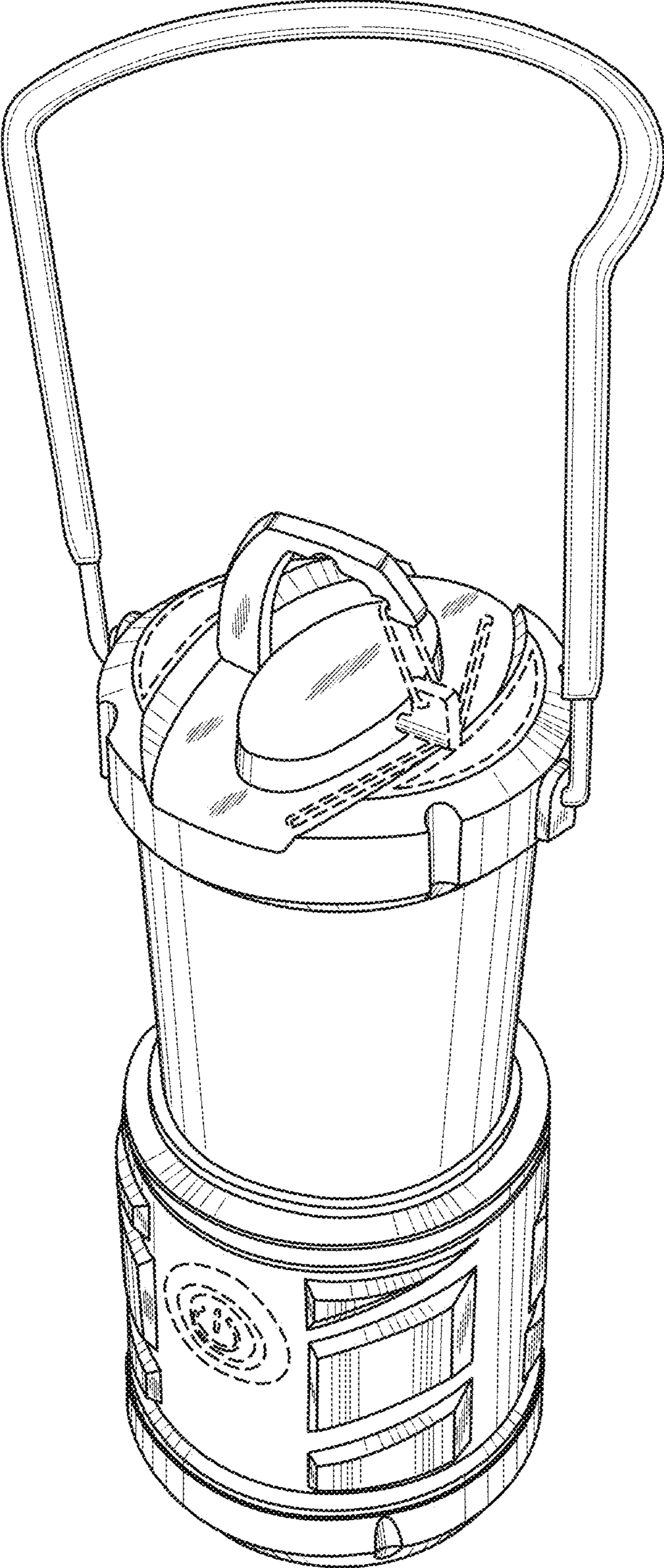


FIG. 8