



US00D943128S

(12) **United States Design Patent** (10) **Patent No.:** **US D943,128 S**
Park et al. (45) **Date of Patent:** **** Feb. 8, 2022**

(54) **VEHICLE HEADLIGHT**

Primary Examiner — Cary M Robinson

(71) Applicant: **Ford Global Technologies, LLC,**
Dearborn, MI (US)

(57) **CLAIM**

The ornamental design for vehicle headlight, as shown and described.

(72) Inventors: **Dong Park,** Canton, MI (US); **Bruce Williams,** Grosse Pointe Park, MI (US); **Damon G. Depeyster,** Northville, MI (US); **Gordon M. Platto,** Troy, MI (US)

DESCRIPTION

(73) Assignee: **Ford Global Technologies, LLC,**
Dearborn, MI (US)

FIG. 1 is a front elevational view of a first embodiment of a vehicle headlight, showing our new design; FIG. 2 is a left side elevational view thereof; FIG. 3 is a right side elevational view thereof; FIG. 4 is a top plan view thereof; FIG. 5 is a bottom plan view thereof; FIG. 6 is a top, front and left side perspective view thereof; FIG. 7 is a bottom, front and left side perspective view thereof; FIG. 8 is a front elevational view of a second embodiment of a vehicle headlight, showing our new design; FIG. 9 is a left side elevational view thereof; FIG. 10 is a right side elevational view thereof; FIG. 11 is a top plan view thereof; FIG. 12 is a bottom plan view thereof; FIG. 13 is a top, front and left side perspective view thereof; FIG. 14 is a bottom, front and left side perspective view thereof; FIG. 15 is a front elevational view of a third embodiment of a vehicle headlight, showing our new design; FIG. 16 is a left side elevational view thereof; FIG. 17 is a right side elevational view thereof; FIG. 18 is a top plan view thereof; FIG. 19 is a bottom plan view thereof; FIG. 20 is a top, front and left side perspective view thereof; and, FIG. 21 is a bottom, front and left side perspective view thereof. The claimed design is indicated by the relatively dark portions in the figures. The broken lines illustrate an internal boundary of the design. The line itself and the relatively light portions within form no part of the claim.

(**) Term: **15 Years**

(21) Appl. No.: **29/786,608**

(22) Filed: **Jun. 1, 2021**

Related U.S. Application Data

(62) Division of application No. 29/650,666, filed on Jun. 8, 2018, now Pat. No. Des. 921,239.

(51) **LOC (13) Cl.** **26-06**

(52) **U.S. Cl.**
USPC **D26/28**

(58) **Field of Classification Search**
USPC D12/86, 90-92, 114, 163, 169, 171-173,
D12/181, 190, 196, 197, 199, 400;
D26/28-36

(Continued)

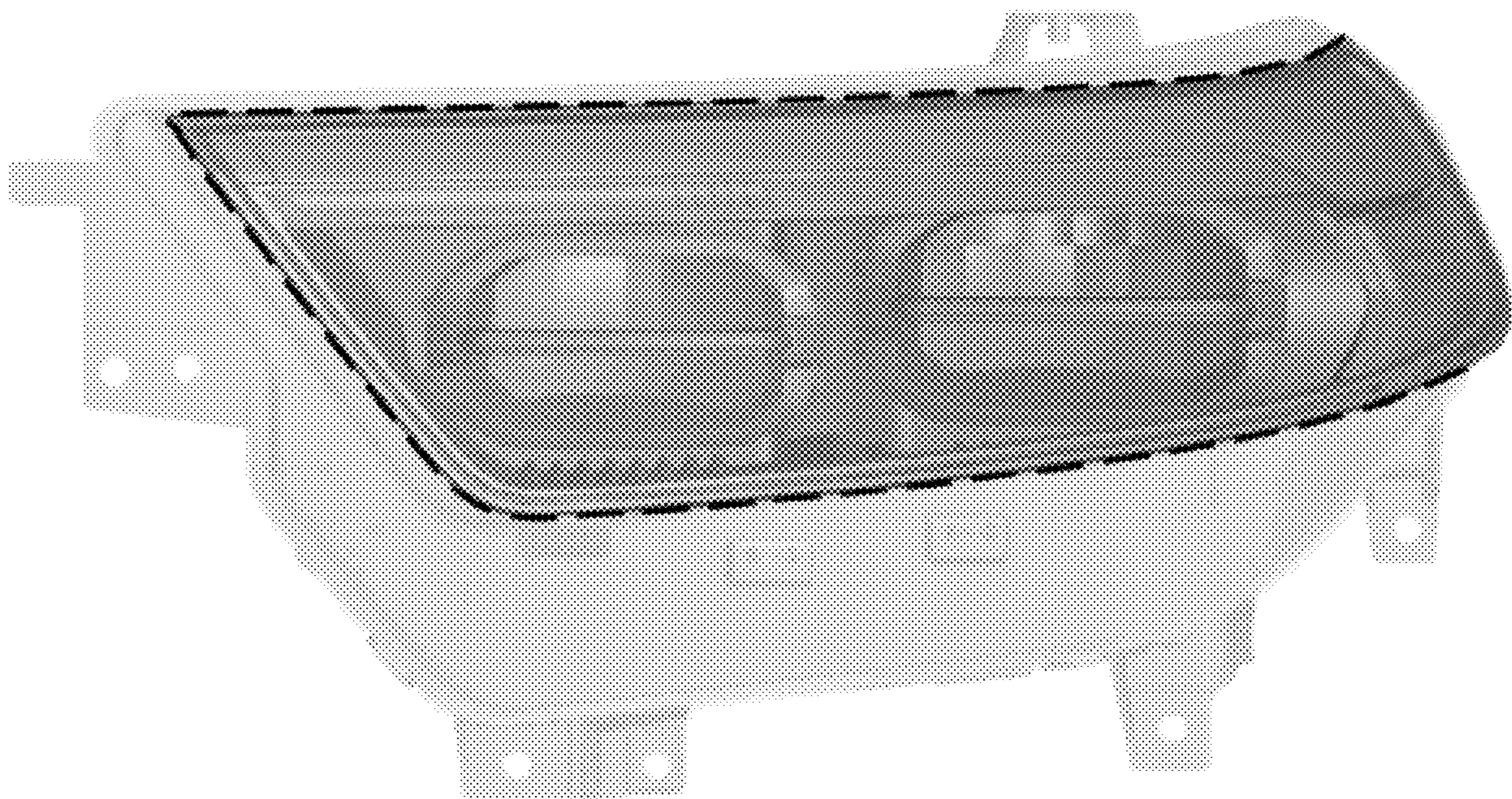
(56) **References Cited**

U.S. PATENT DOCUMENTS

D476,756 S * 7/2003 Weber D26/28
D490,170 S * 5/2004 Metros D26/28

(Continued)

1 Claim, 21 Drawing Sheets



(58) **Field of Classification Search**

CPC ... B62J 6/02; B62J 6/00; B60Q 3/0279; F21S
 48/00; F21S 48/10; F21S 48/115; F21S
 48/225; F21S 48/1233; F21S 48/1266;
 F21S 48/1388; F21S 48/2268; F21V
 21/04

See application file for complete search history.

(56) **References Cited**

U.S. PATENT DOCUMENTS

| | | | | |
|--------------|---------|-----------|-------|--------|
| D491,298 S * | 6/2004 | Hall | | D26/28 |
| D501,570 S * | 2/2005 | Tandrup | | D26/28 |
| D507,361 S * | 7/2005 | Wood | | D26/28 |
| D508,746 S * | 8/2005 | Lai | | D26/28 |
| D517,228 S * | 3/2006 | Pfeiffer | | D26/28 |
| D532,912 S * | 11/2006 | Mahoney | | D26/28 |
| D535,045 S * | 1/2007 | Schiavone | | D26/28 |
| D545,462 S * | 6/2007 | Kaoud | | D26/28 |
| D546,483 S * | 7/2007 | Bucher | | D26/28 |
| D547,472 S * | 7/2007 | Tant | | D26/28 |
| D550,382 S * | 9/2007 | Ellis | | D26/28 |
| D556,349 S * | 11/2007 | Golden | | D26/28 |

| | | | | |
|--------------|---------|--------------|-------|--------|
| D561,918 S * | 2/2008 | Aris | | D26/28 |
| D563,575 S * | 3/2008 | Gresens | | D26/28 |
| D569,020 S * | 5/2008 | Schiavone | | D26/28 |
| D571,025 S * | 6/2008 | Golden | | D26/28 |
| D588,718 S * | 3/2009 | Spearman-Oxx | | D26/28 |
| D612,960 S * | 3/2010 | Bucher | | D26/28 |
| D665,110 S * | 8/2012 | Svensson | | D26/28 |
| D670,417 S * | 11/2012 | Svensson | | D26/28 |
| D746,497 S * | 12/2015 | Behmer | | D26/28 |
| D877,370 S * | 3/2020 | Smock | | D26/28 |
| D877,945 S * | 3/2020 | Betancourt | | D26/28 |
| D885,620 S * | 5/2020 | Furuta | | D26/28 |
| D887,038 S * | 6/2020 | Razaghi | | D26/28 |
| D907,816 S * | 1/2021 | Tonello | | D26/28 |
| D907,819 S * | 1/2021 | Tonello | | D26/28 |
| D916,336 S * | 4/2021 | Wraith | | D26/28 |
| D919,854 S * | 5/2021 | Kaoud | | D26/28 |
| D919,855 S * | 5/2021 | Kaoud | | D26/28 |
| D919,856 S * | 5/2021 | Kaoud | | D26/28 |
| D921,238 S * | 6/2021 | Meyer | | D26/28 |
| D921,239 S * | 6/2021 | Park | | D26/28 |
| D923,218 S * | 6/2021 | Lee | | D26/28 |
| D930,860 S * | 9/2021 | Hartenstein | | D26/28 |

* cited by examiner

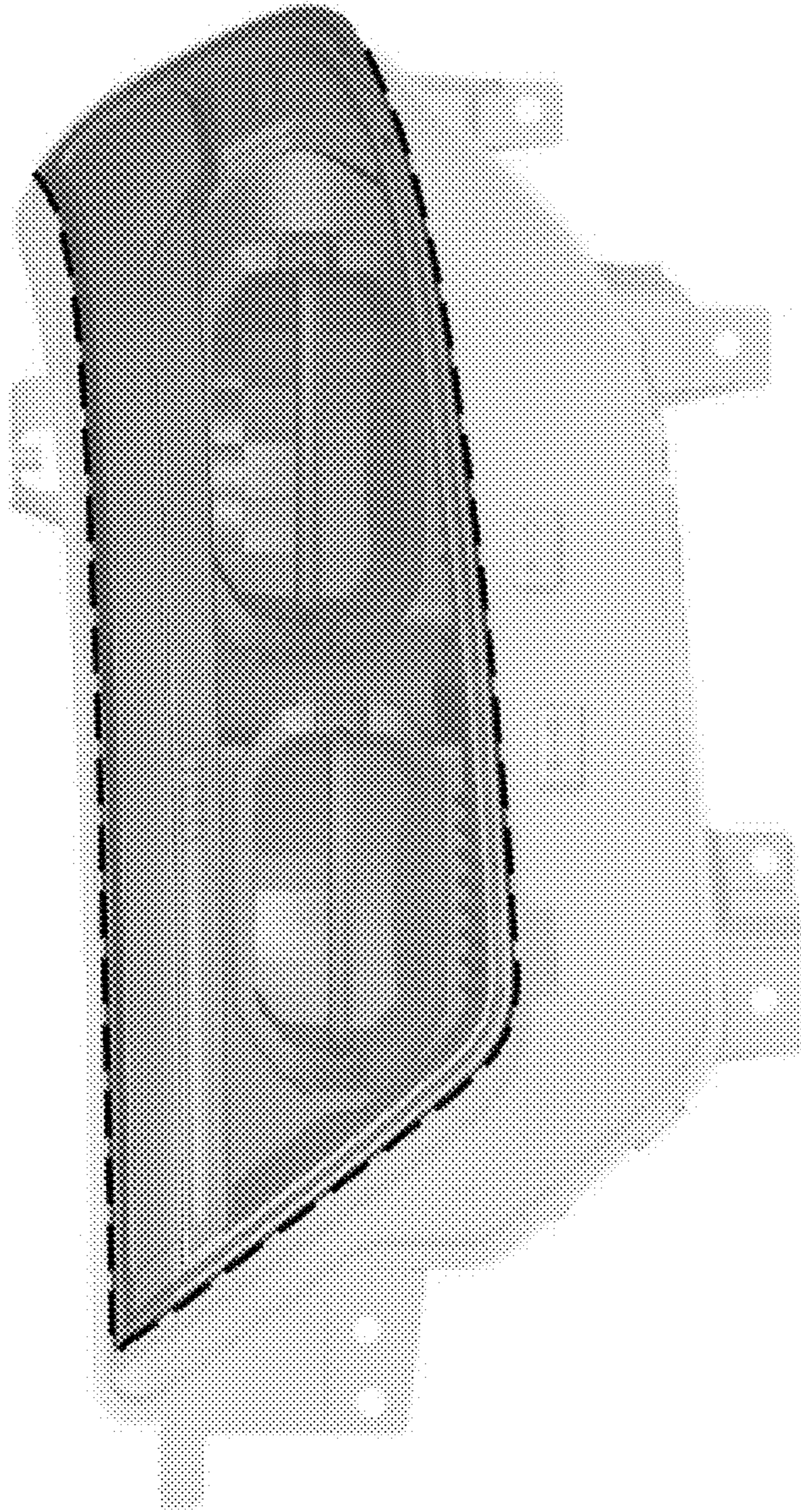


Fig. 1

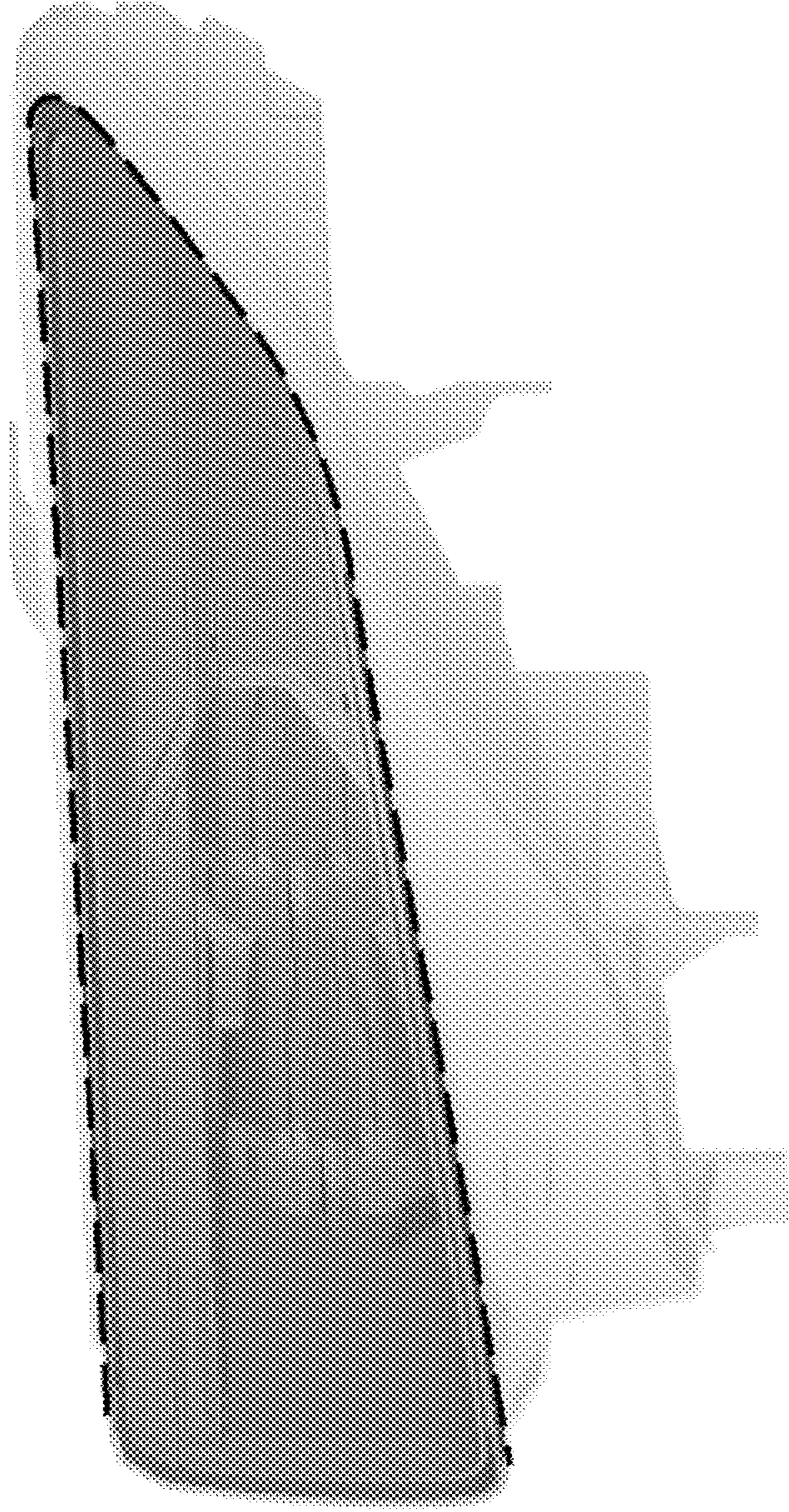


Fig. 2

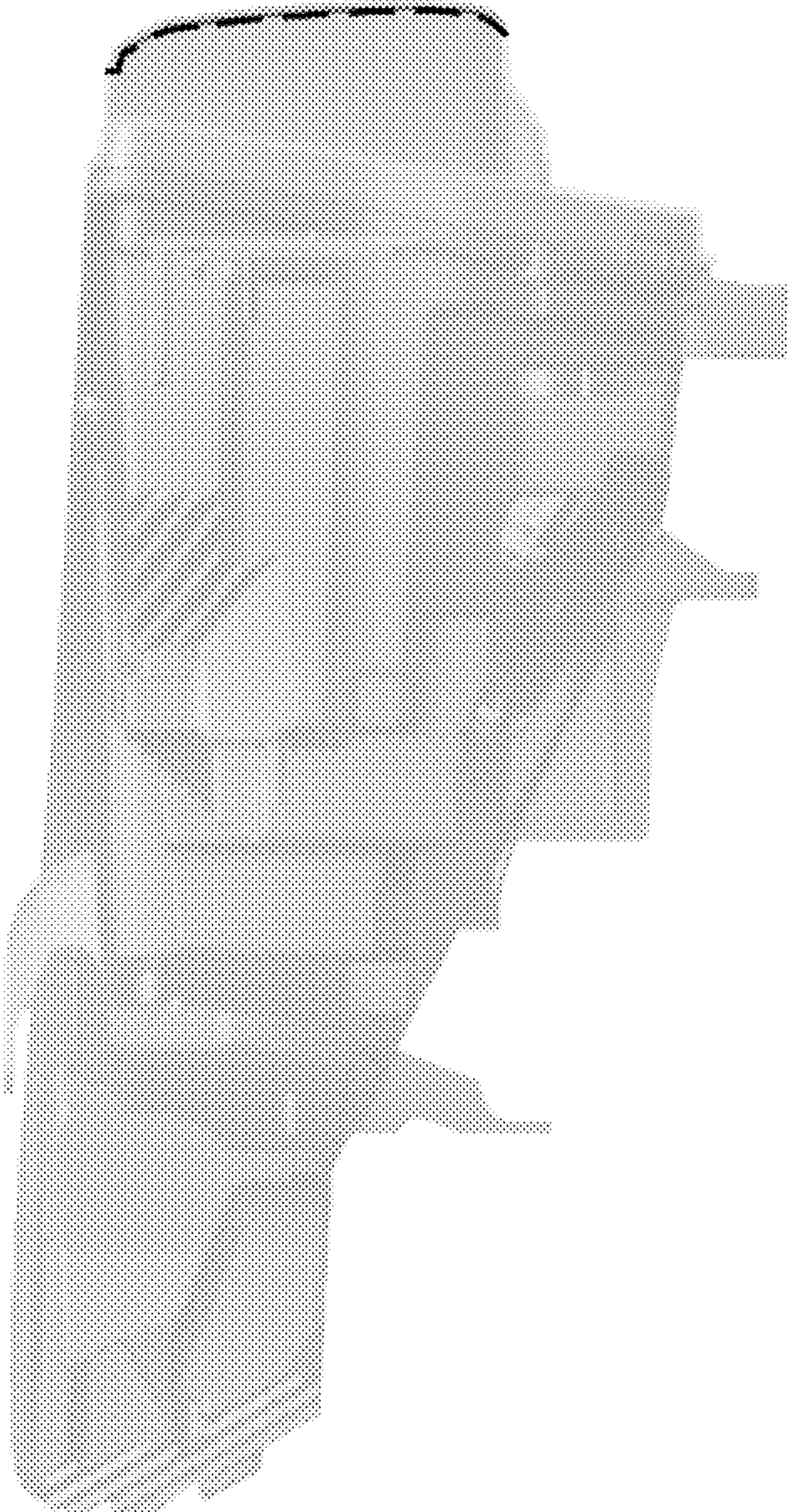


Fig. 3

Fig. 4

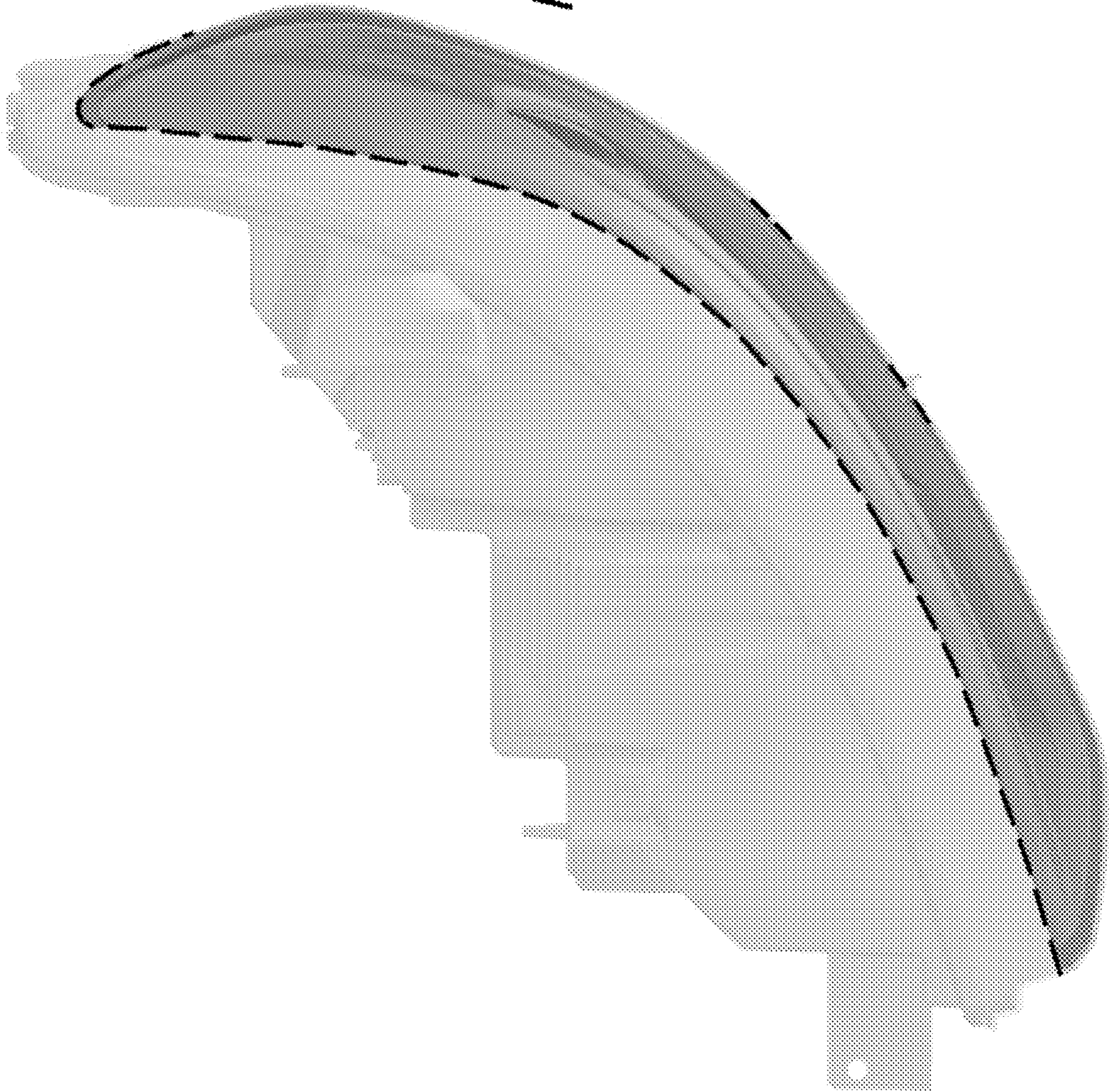




Fig. 5

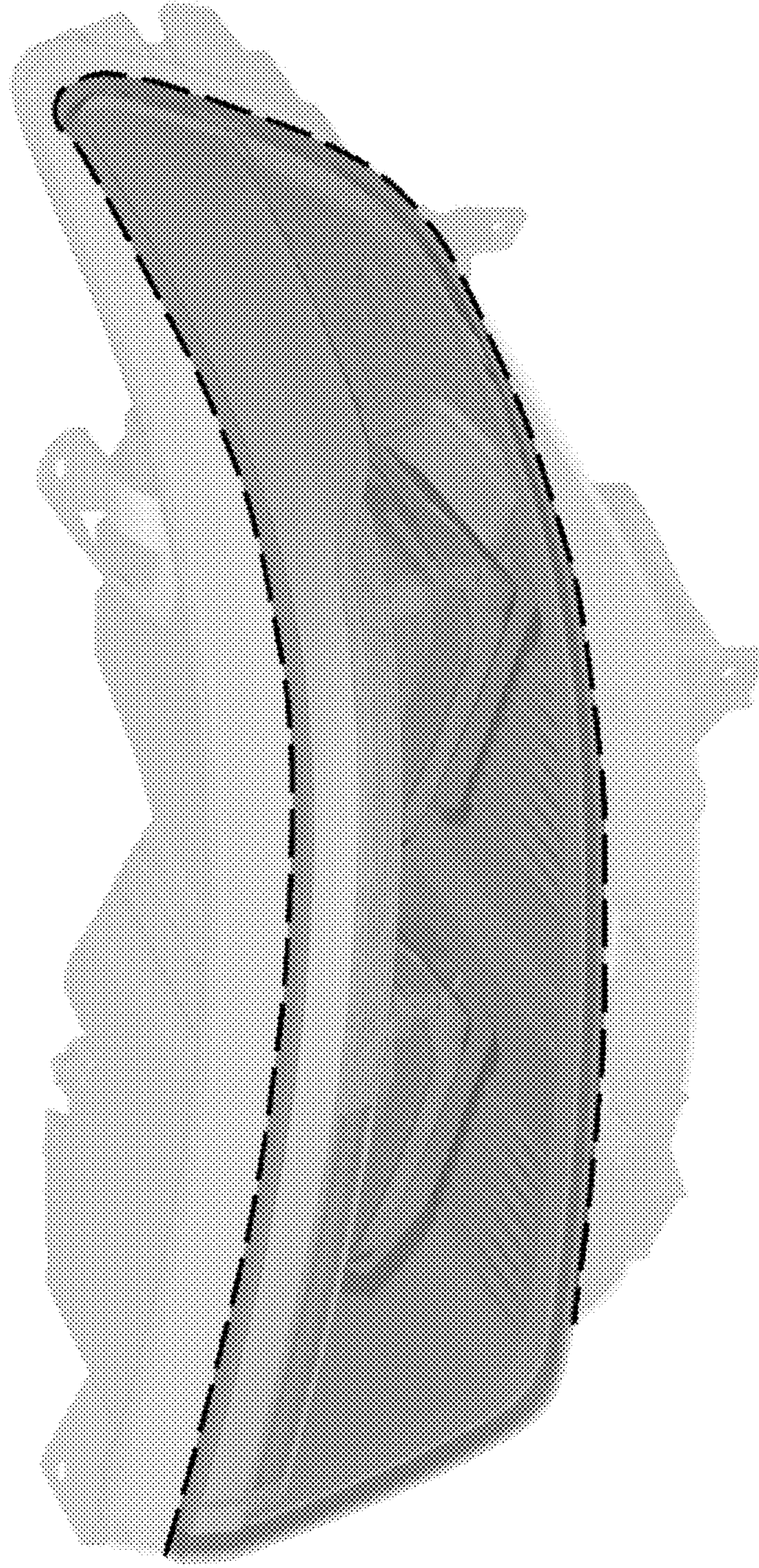


Fig. 6

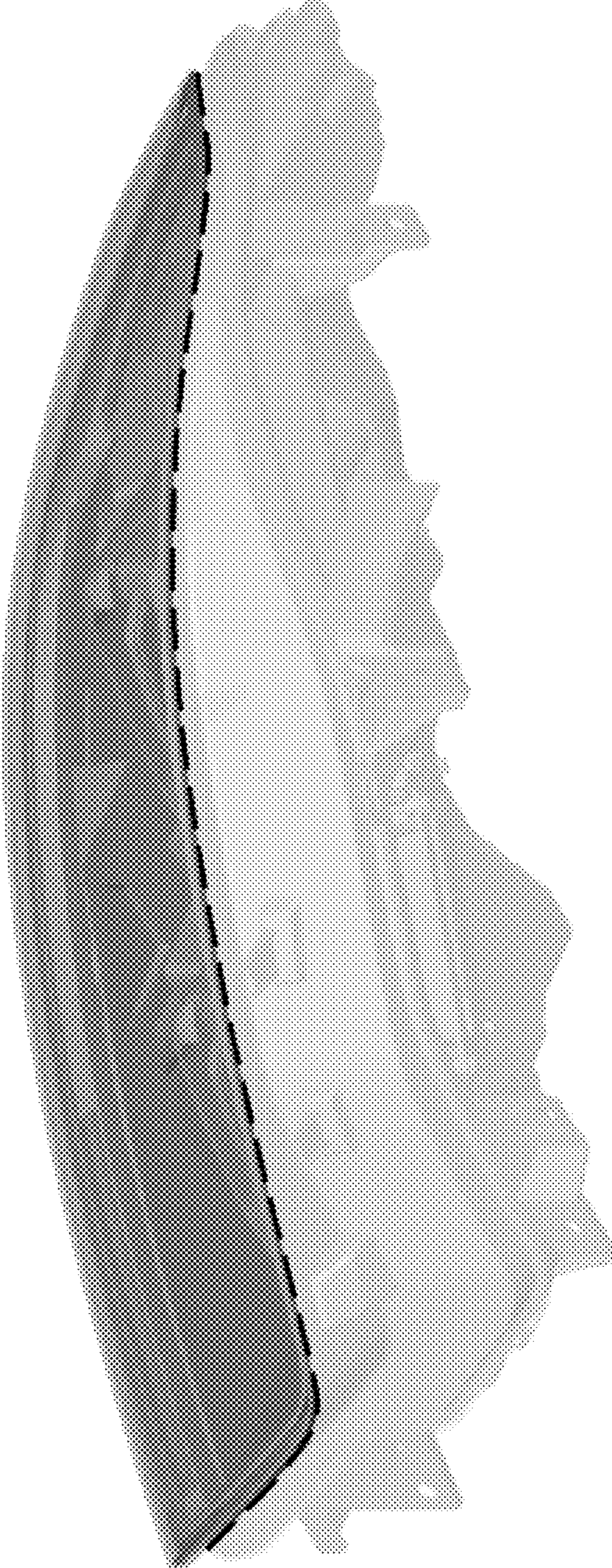


Fig. 7

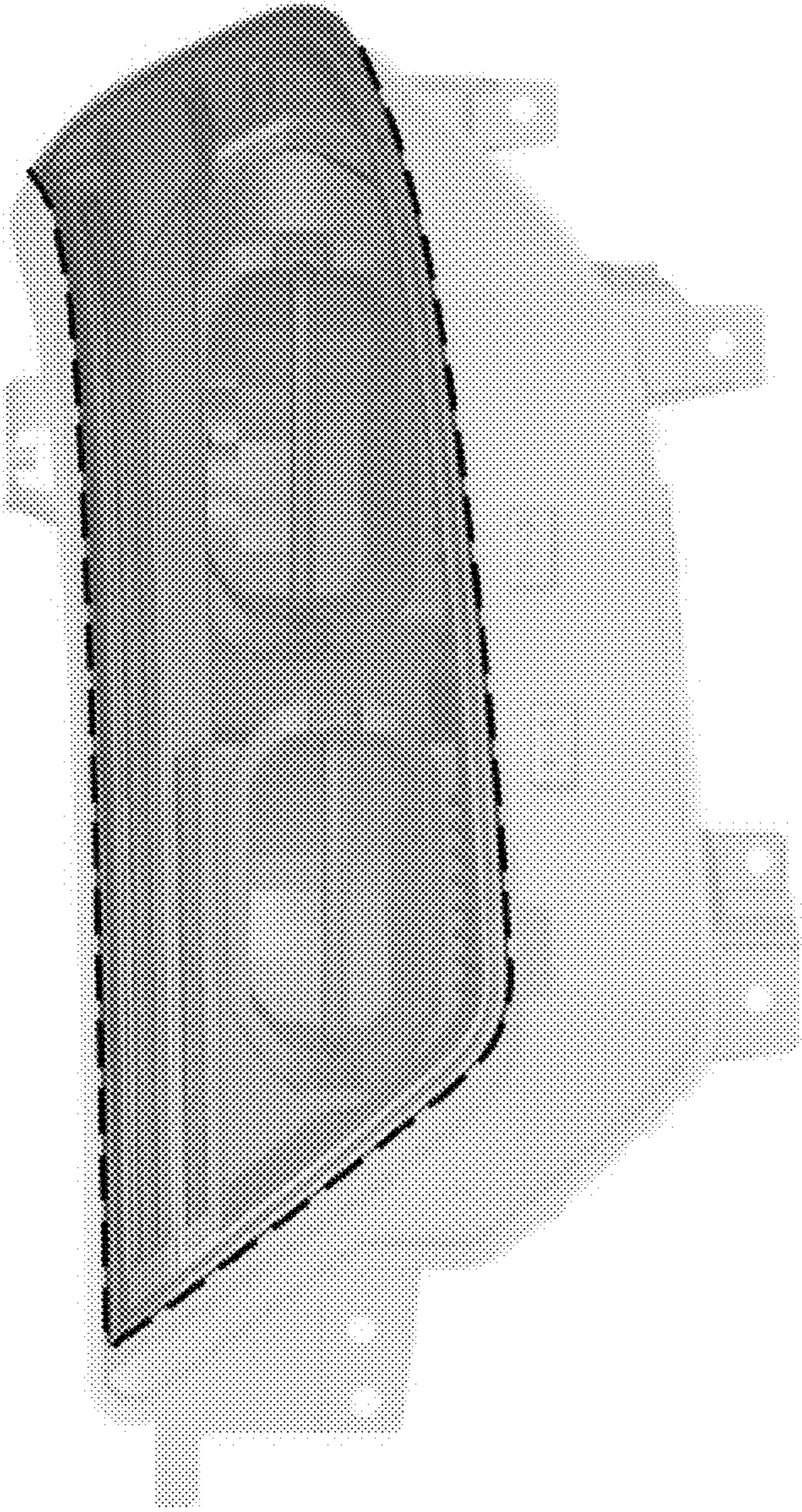


Fig. 8

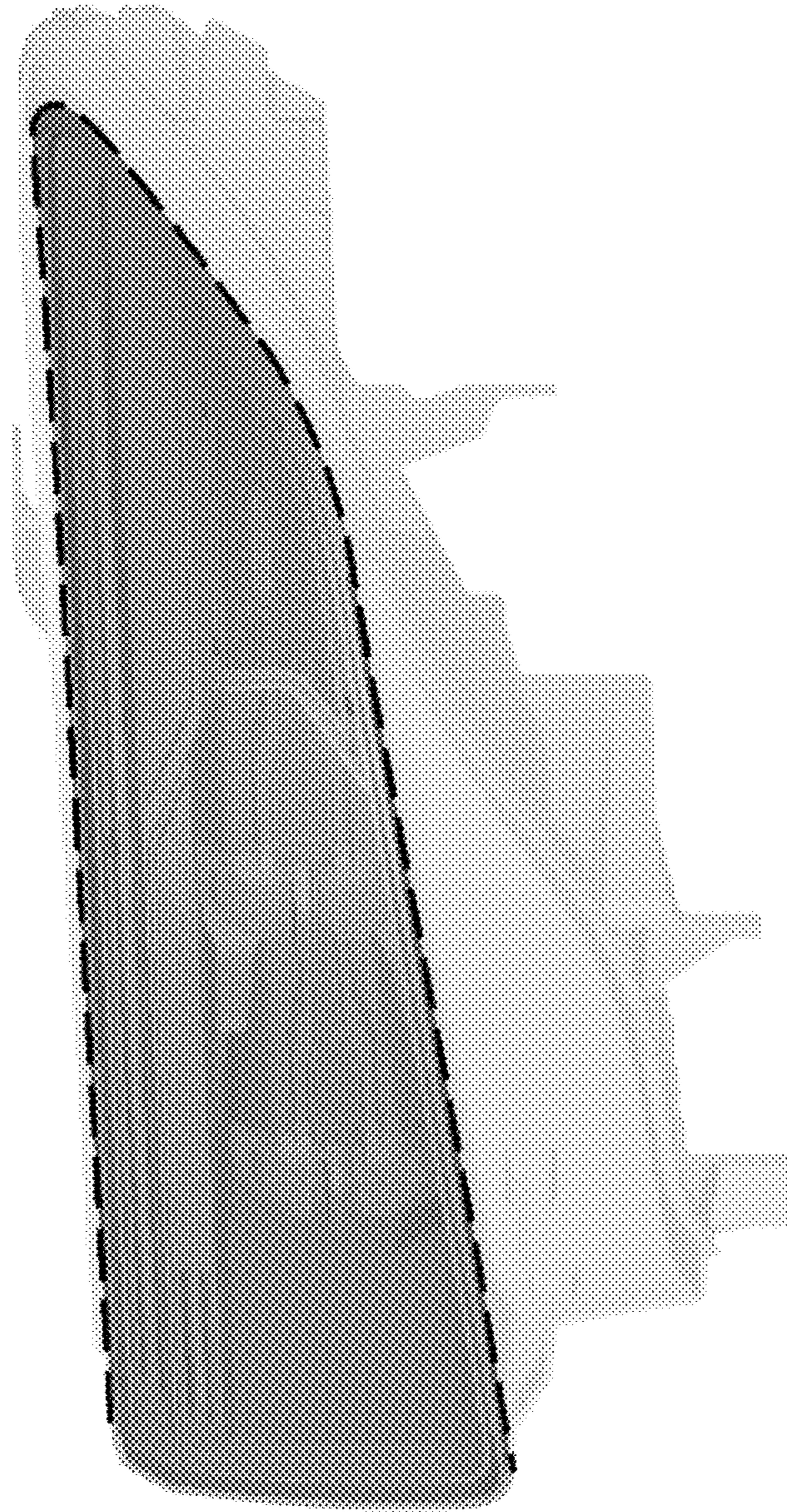


Fig. 9

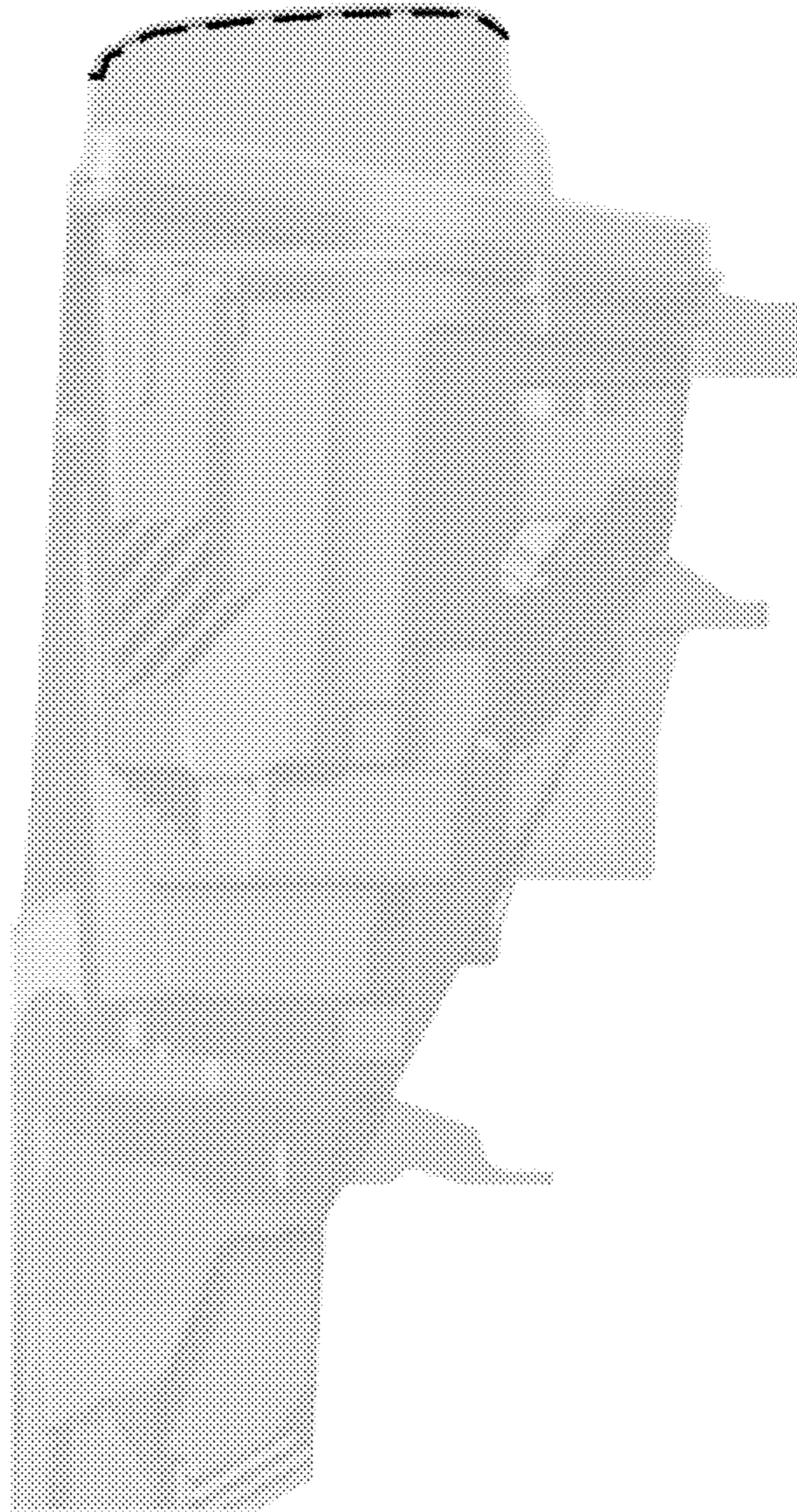
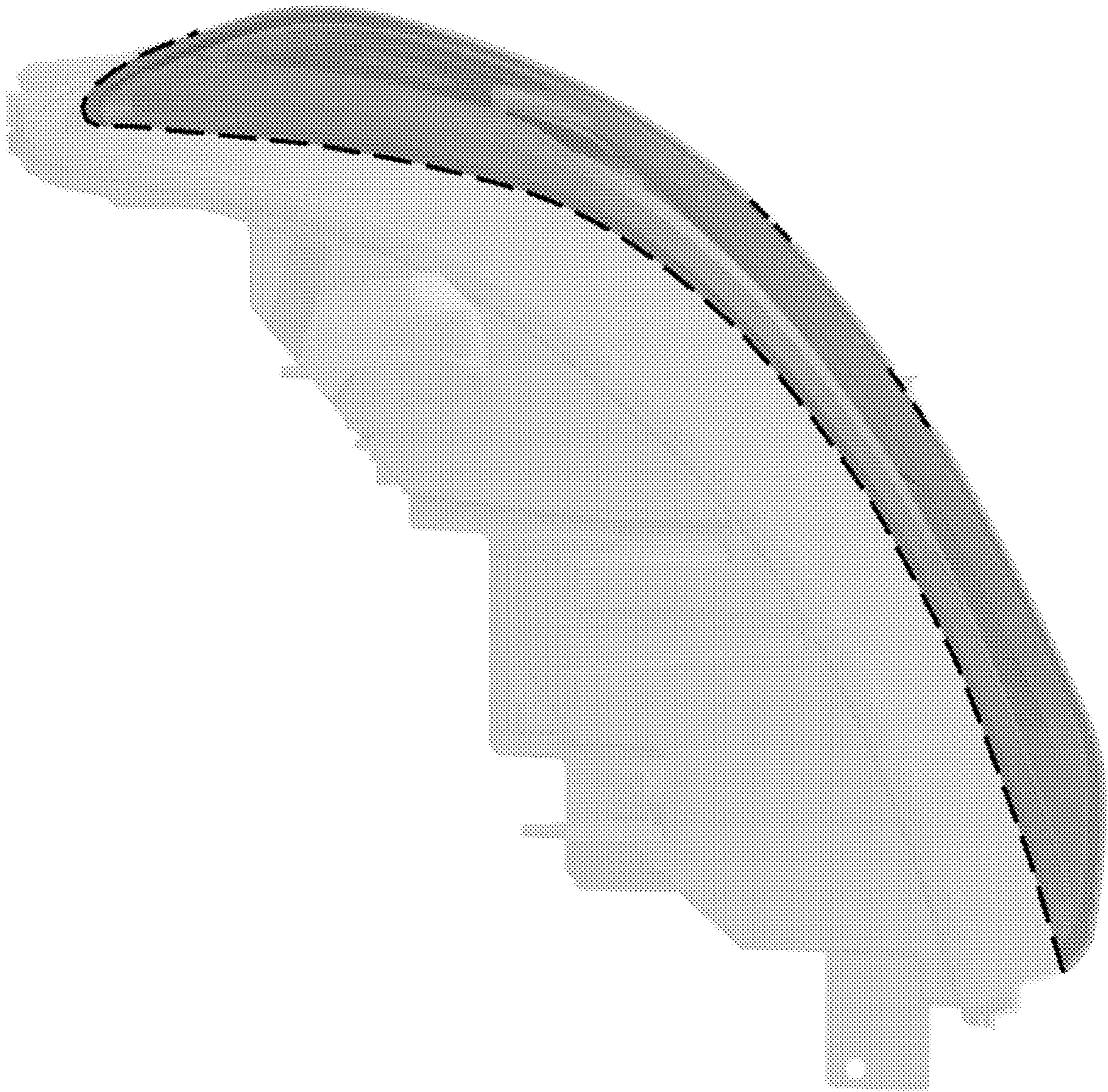


Fig. 10

Fig. 11



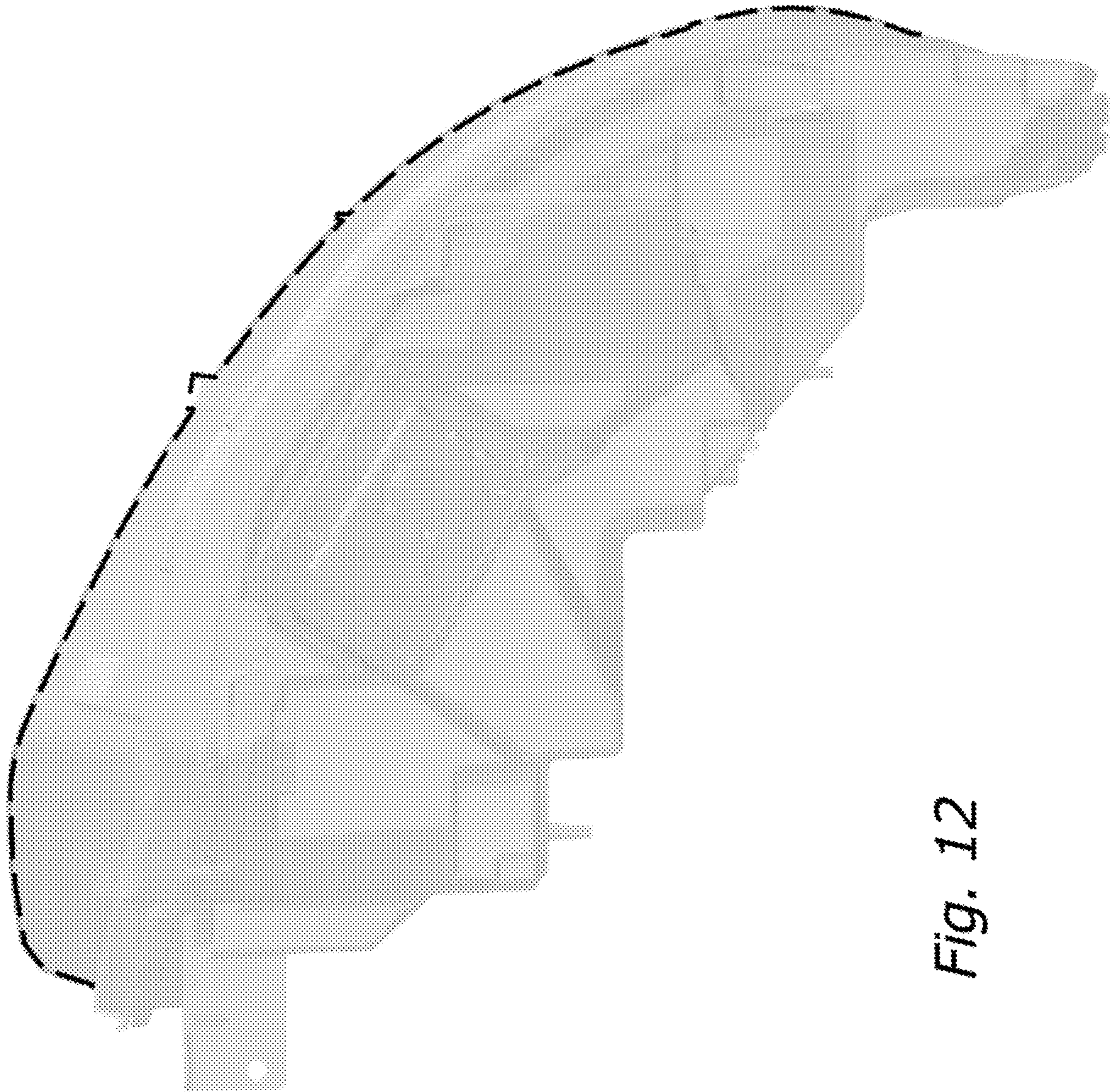


Fig. 12

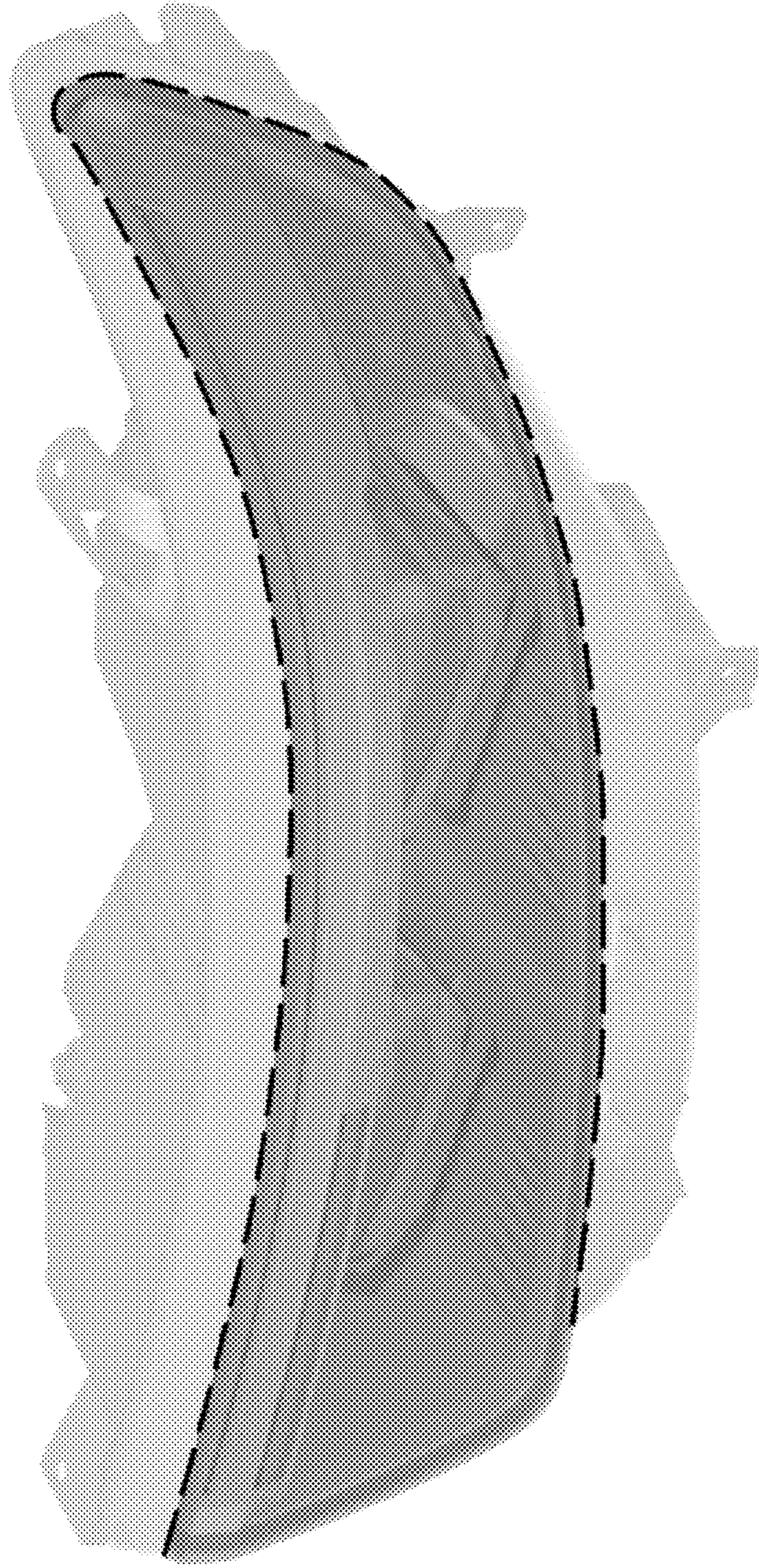


Fig. 13

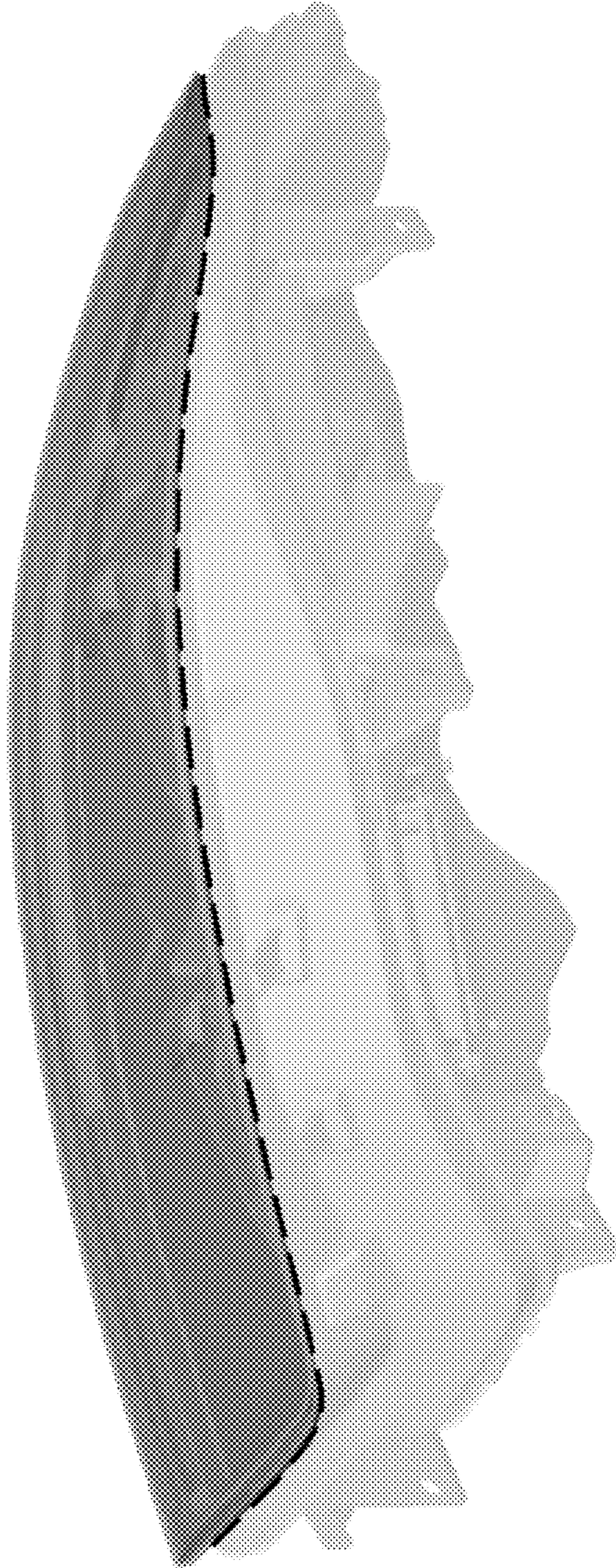


Fig. 14

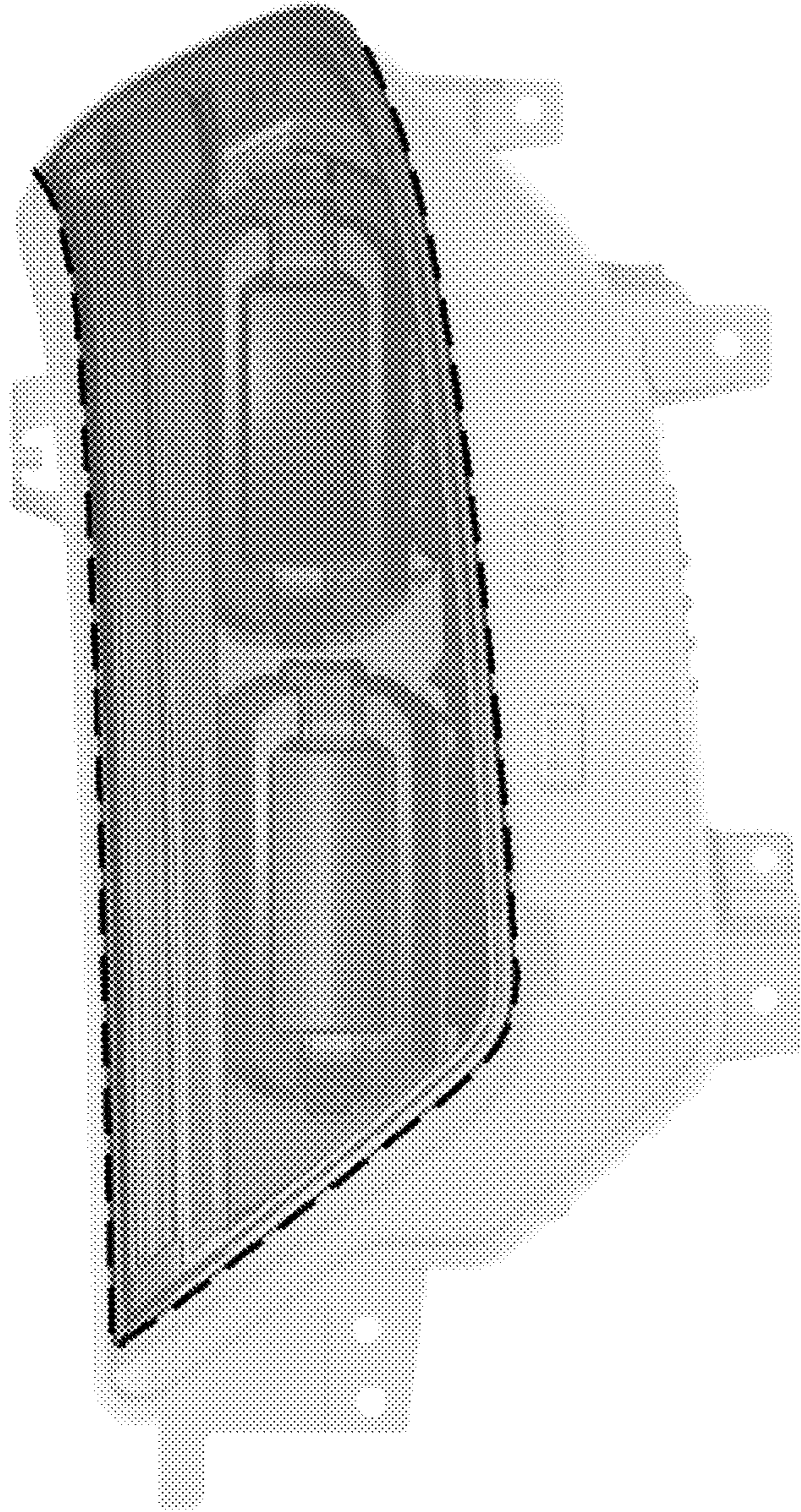


Fig. 15

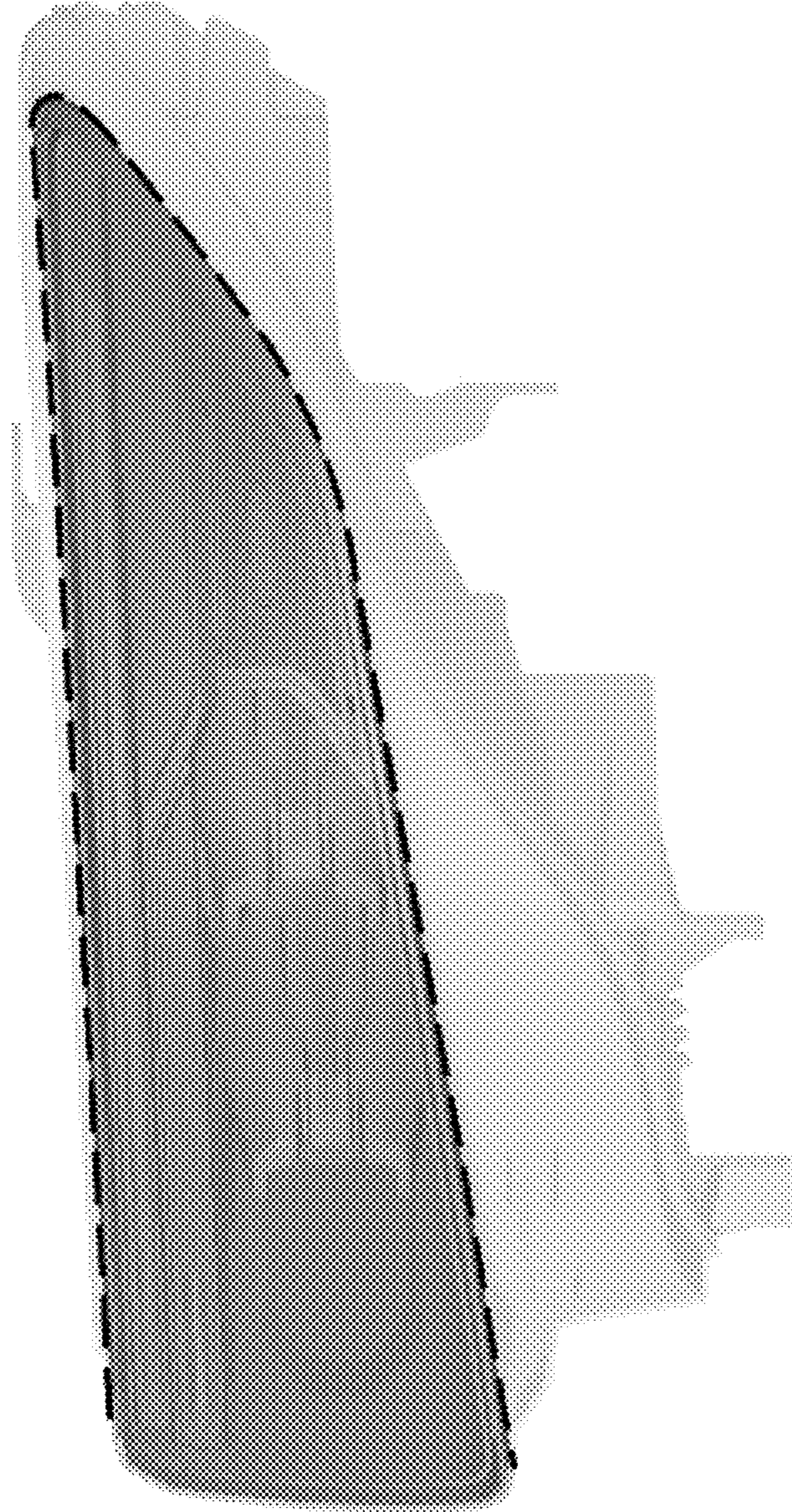


Fig. 16

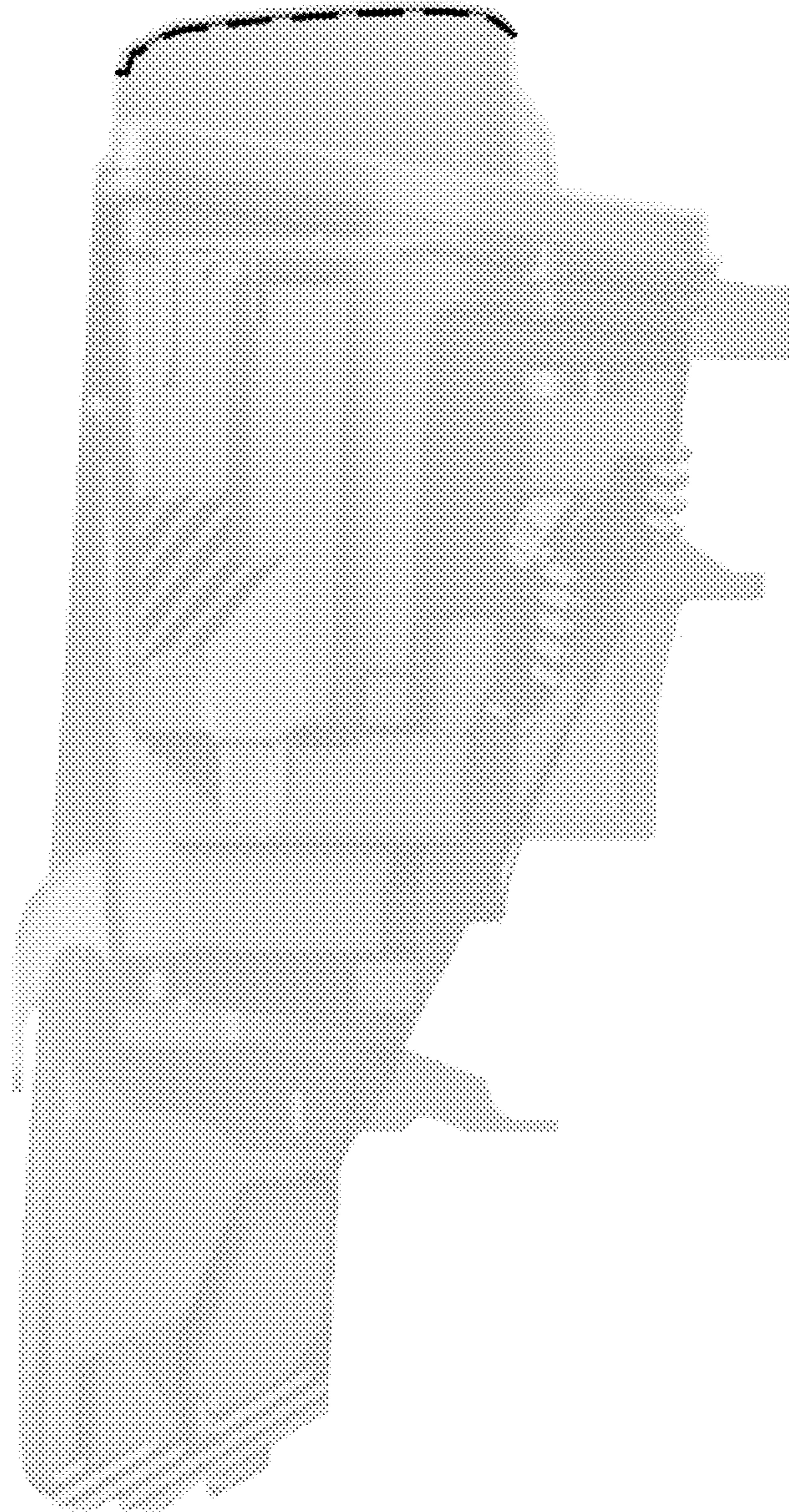
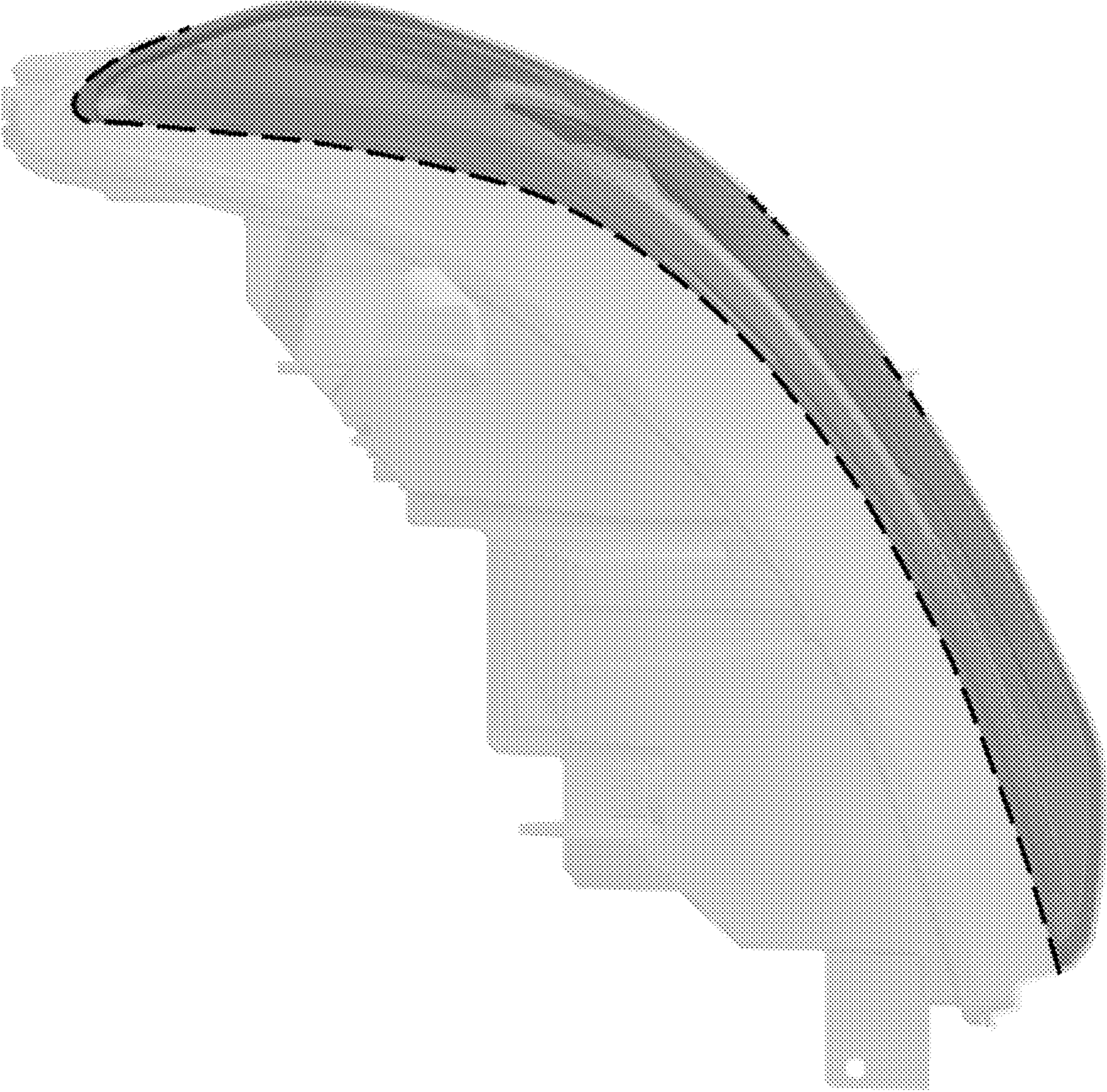


Fig. 17

Fig. 18



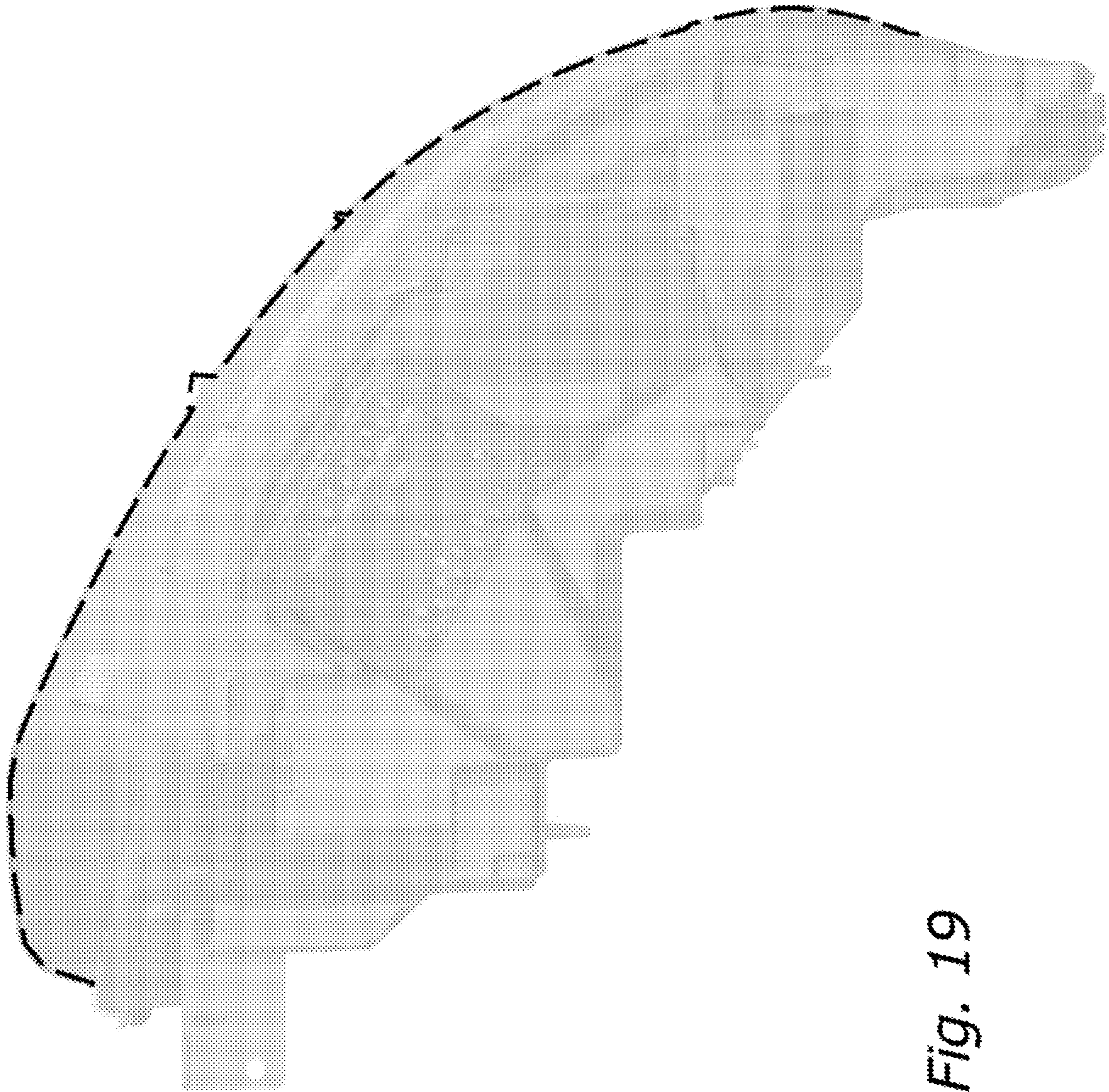


Fig. 19

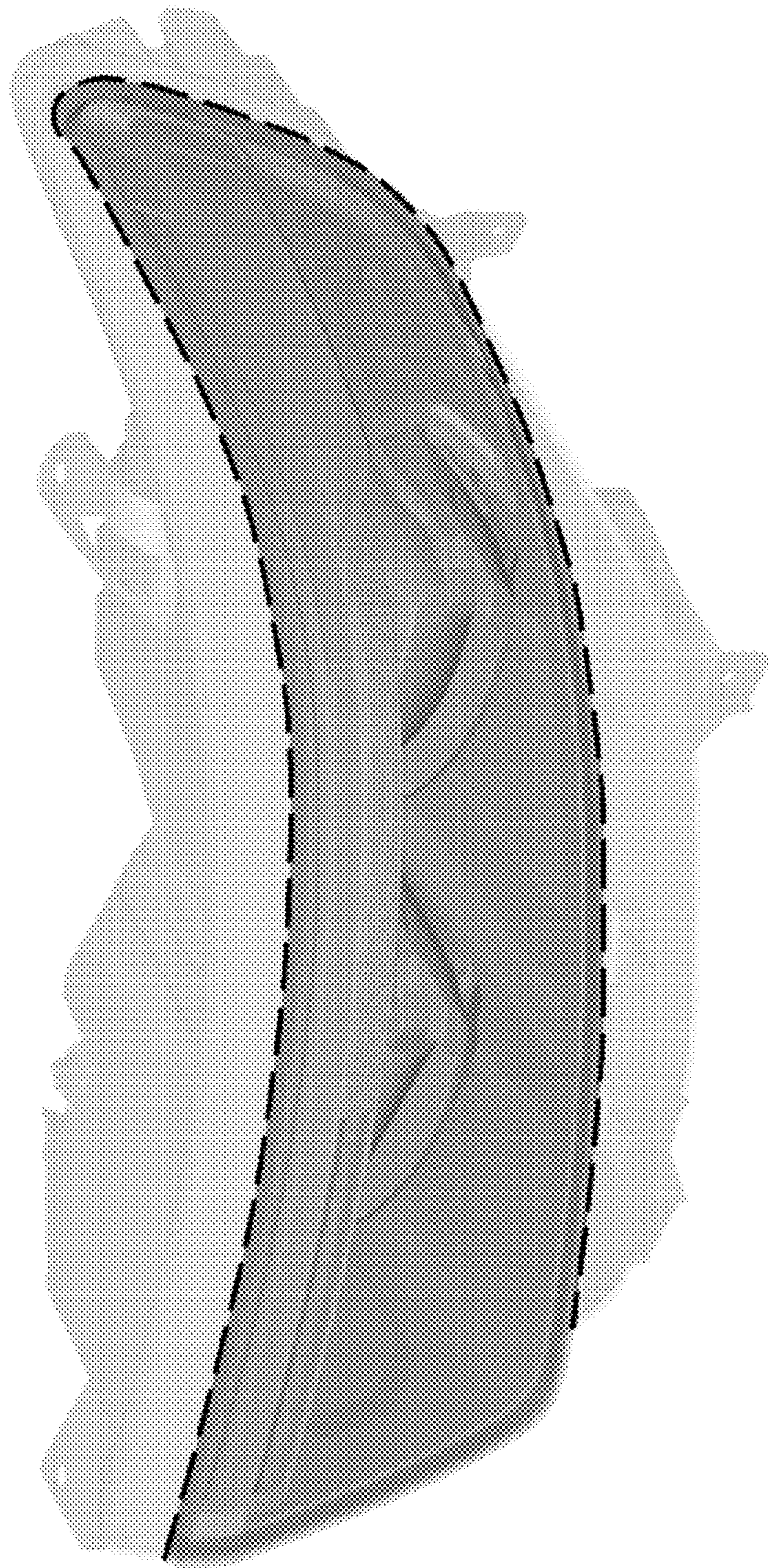


Fig. 20

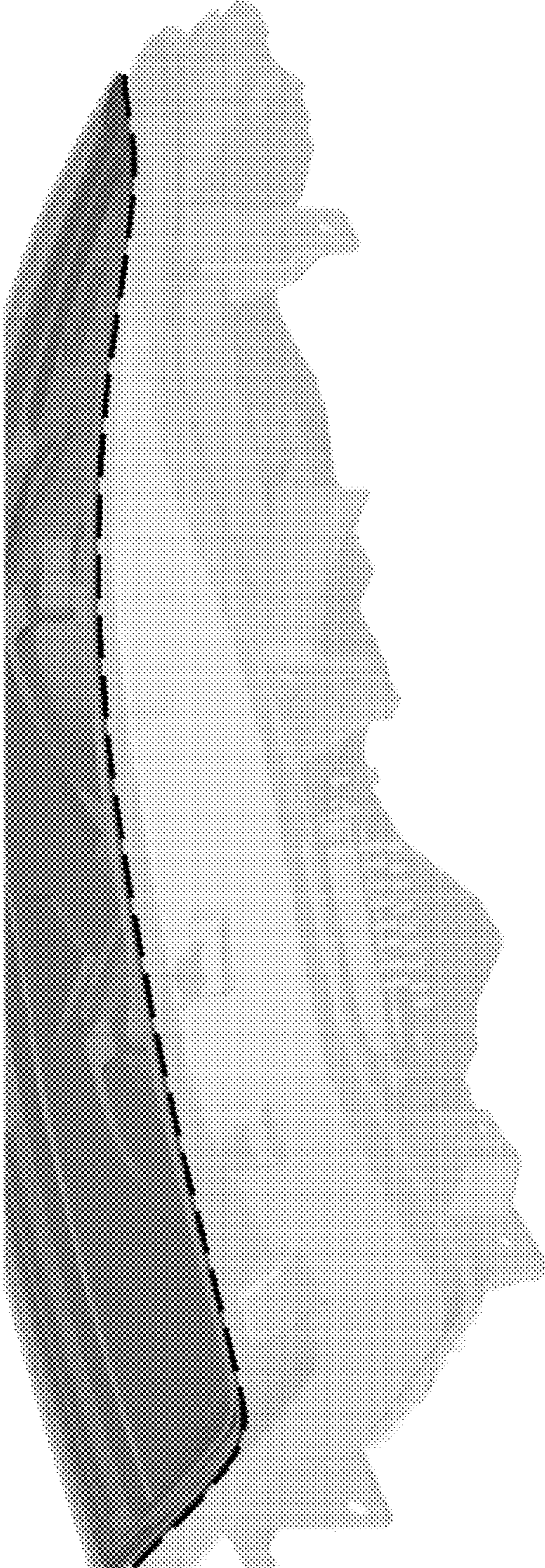


FIG. 21