



US00D943122S

(12) **United States Design Patent**  
**Ben Baruch**

(10) **Patent No.:** **US D943,122 S**

(45) **Date of Patent:** **\*\* Feb. 8, 2022**

(54) **UV LIGHT BULB FOR WATER PURIFIERS**

(71) Applicant: **STRAUSS WATER LTD**, Or Yehuda (IL)

(72) Inventor: **Omer Ben Baruch**, Kiryat Ono (IL)

(73) Assignee: **STRAUSS WATER LTD**, Or Yehuda (IL)

(\*\*) Term: **15 Years**

(21) Appl. No.: **29/696,074**

(22) Filed: **Jun. 25, 2019**

(30) **Foreign Application Priority Data**

Jan. 1, 2019 (IL) ..... 63139

(51) **LOC (13) Cl.** ..... **26-04**

(52) **U.S. Cl.**  
USPC ..... **D26/3**

(58) **Field of Classification Search**

USPC ..... D26/1-11

CPC ..... H01R 5/00; H01R 13/46; H01R 13/514;

H01R 31/02; H01R 31/048; H01J 5/00;

H01J 5/16; H01J 1/02; H01J 15/00; H01J

5/48; H01J 5/50; H01J 19/54; F21V 5/00;

F21K 9/00; F21K 13/00

See application file for complete search history.

(56) **References Cited**

**U.S. PATENT DOCUMENTS**

D574,093 S \* 7/2008 Kitagawa ..... D26/3

D576,749 S \* 9/2008 Kitagawa ..... D26/3

D584,429 S \* 1/2009 Pei ..... D26/3

D606,673 S \* 12/2009 Kao ..... D26/3

D610,274 S \* 2/2010 Cho ..... D26/2

D611,172 S \* 3/2010 Lin ..... D26/3

D636,504 S \* 4/2011 Duster ..... D26/3

\* cited by examiner

*Primary Examiner* — Marcus A Jackson

(74) *Attorney, Agent, or Firm* — Vorys, Sater, Seymour and Pease LLP; William L. Klima

(57) **CLAIM**

The ornamental design for a UV light bulb for water purifiers, as shown and described.

**DESCRIPTION**

FIG. 1 is a top and front perspective view of a new design for a UV light bulb for water purifiers;

FIG. 2 is a top and rear perspective view thereof;

FIG. 3 is another top and front perspective view thereof;

FIG. 4 is a bottom and rear perspective view thereof;

FIG. 5 is a bottom and front perspective view thereof;

FIG. 6 is another bottom and rear perspective view thereof;

FIG. 7 is a front view thereof;

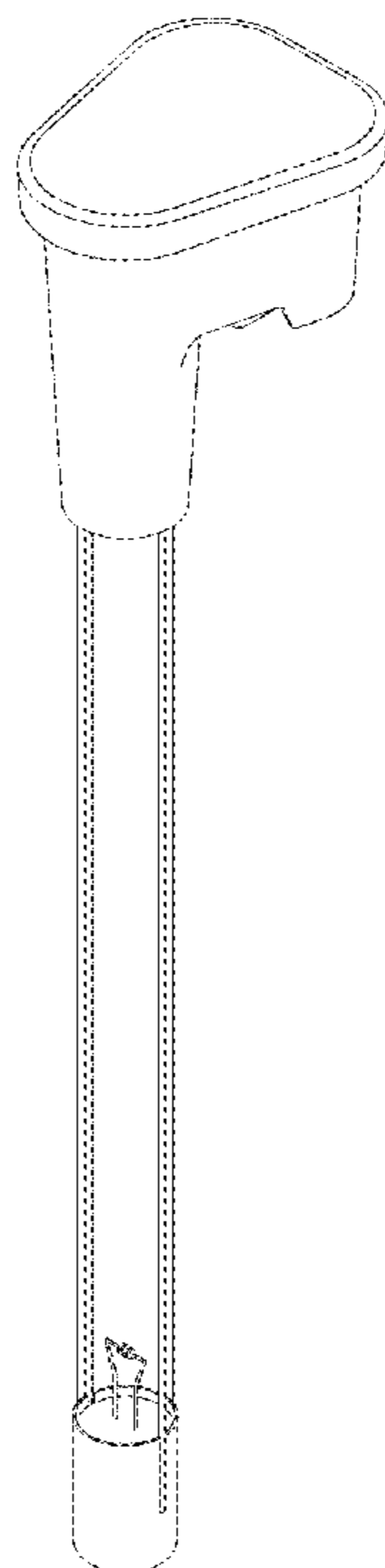
FIG. 8 is a rear view thereof;

FIG. 9 is a left side view thereof; right side view being a mirror image of FIG. 9;

FIG. 10 is a top view thereof; and,

FIG. 11 is a bottom view thereof.

**1 Claim, 11 Drawing Sheets**



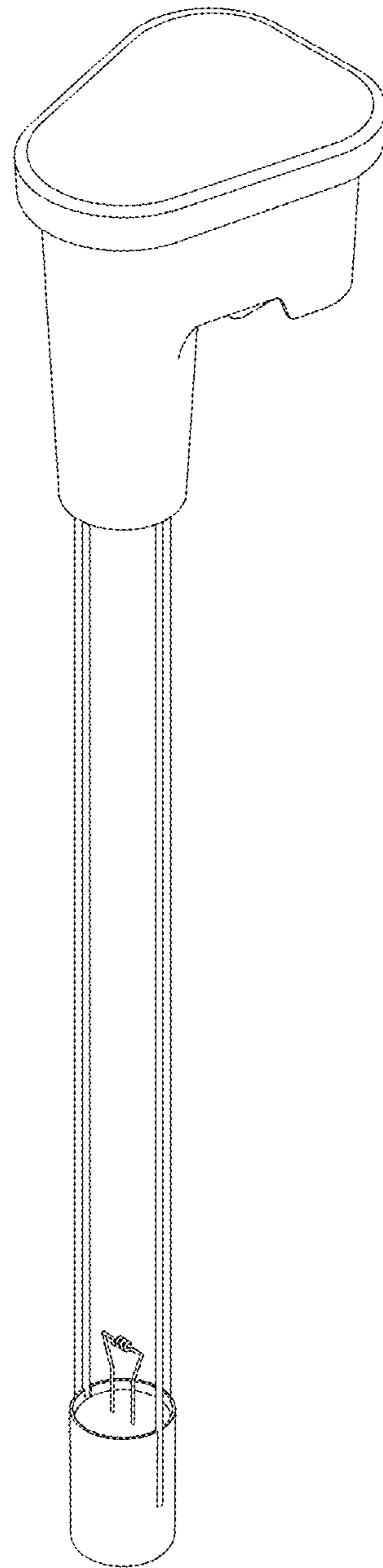


FIG. 1

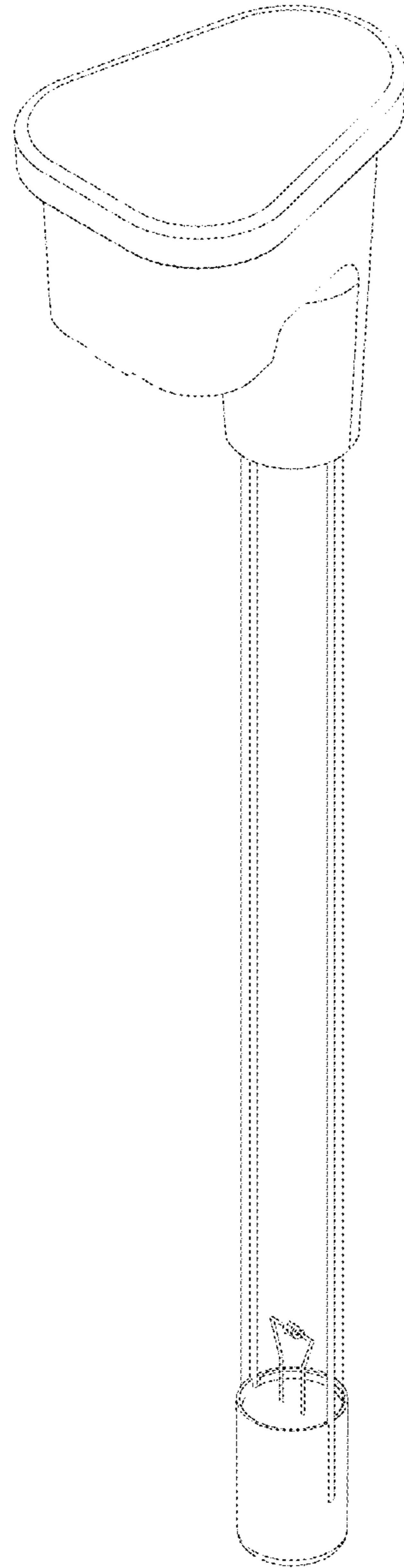


FIG. 2

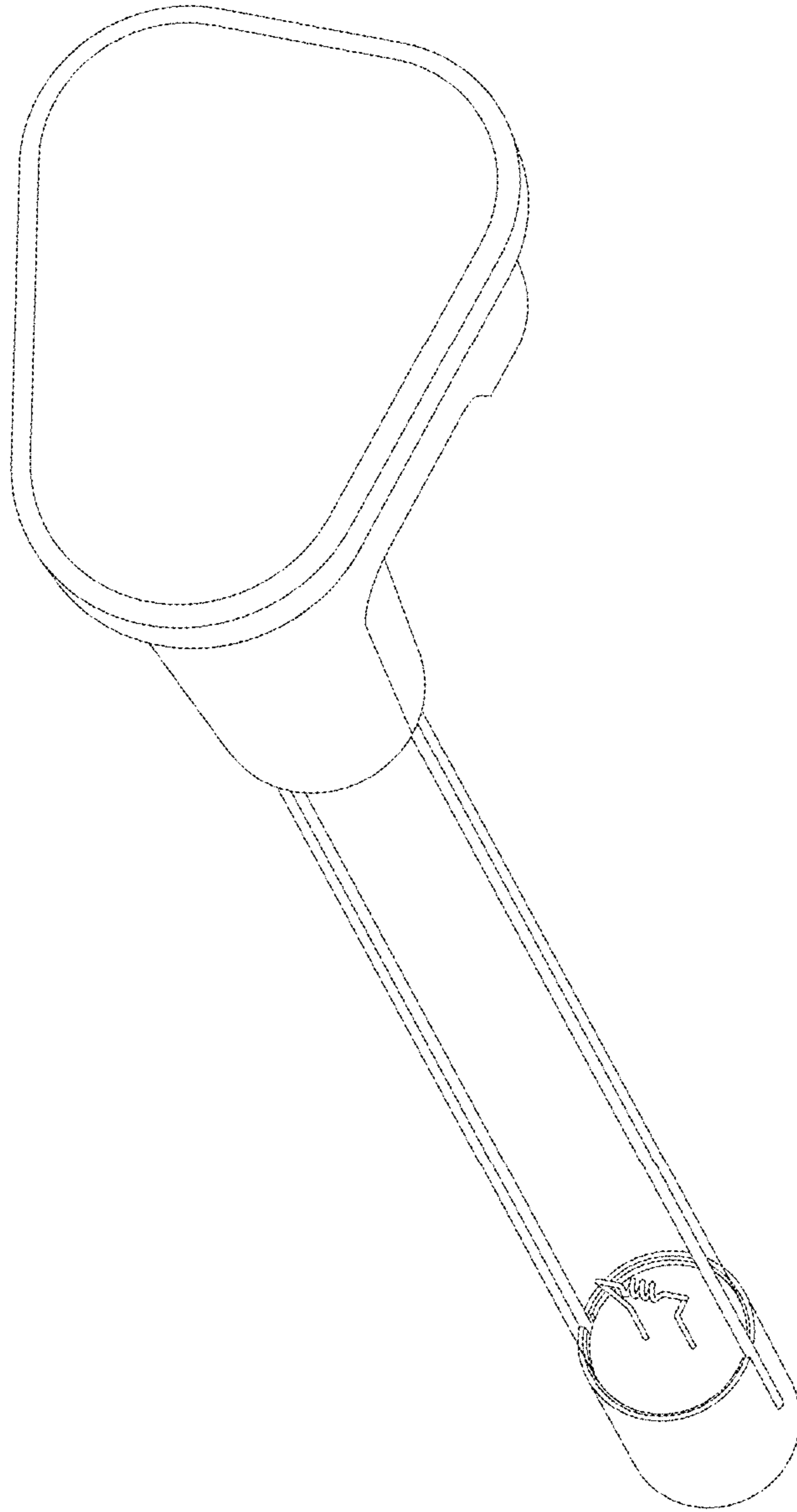


FIG. 3

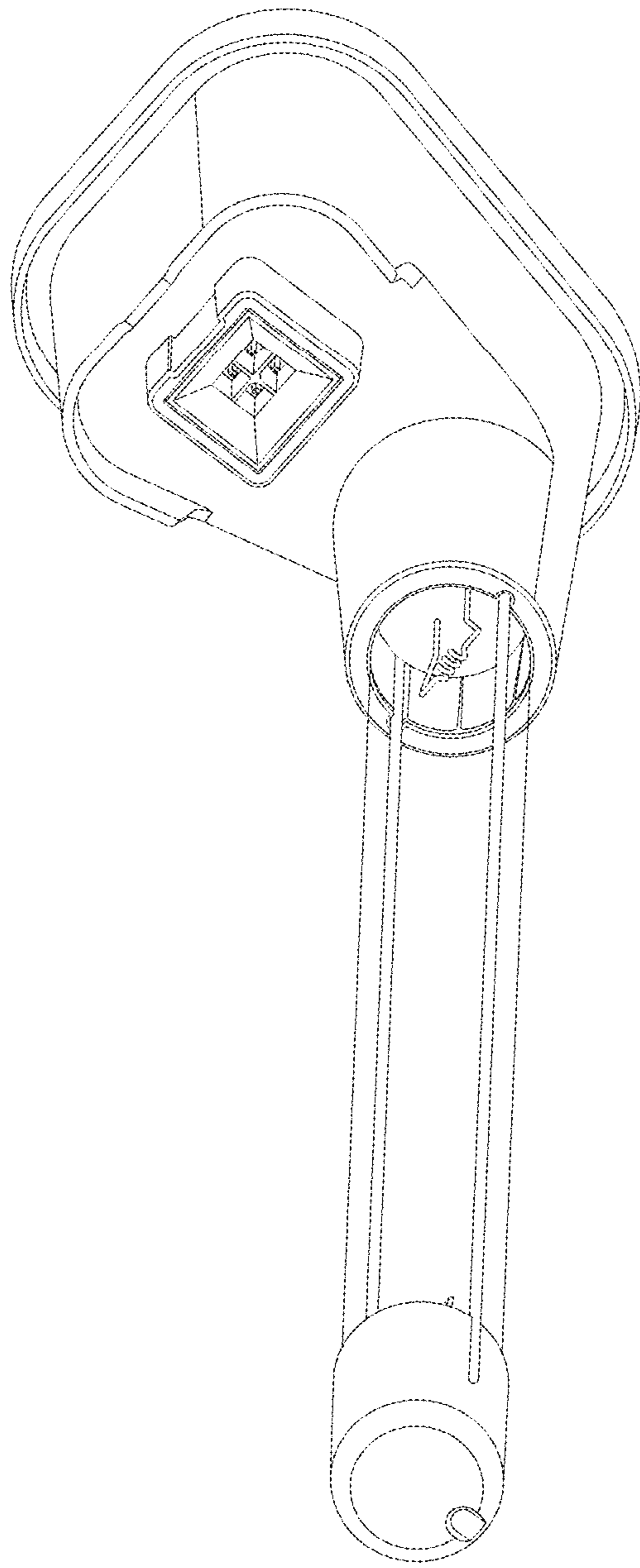


FIG. 4

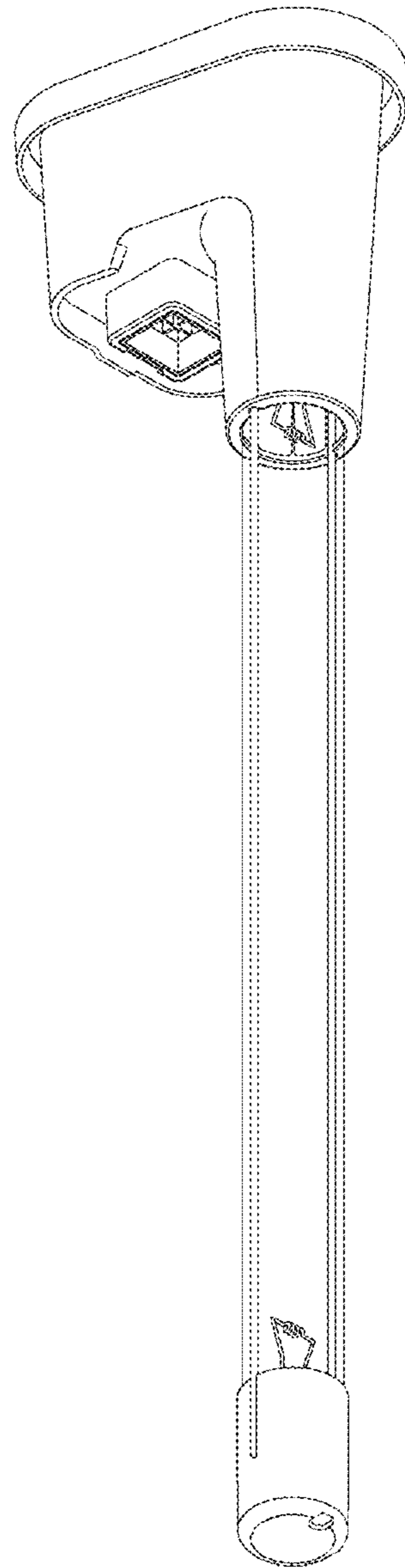


FIG. 5

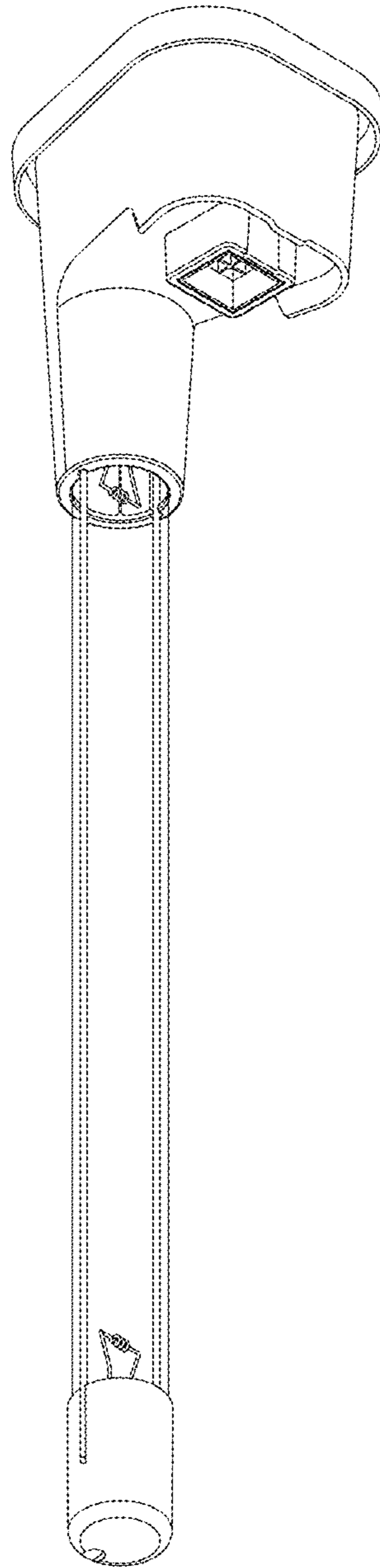


FIG. 6

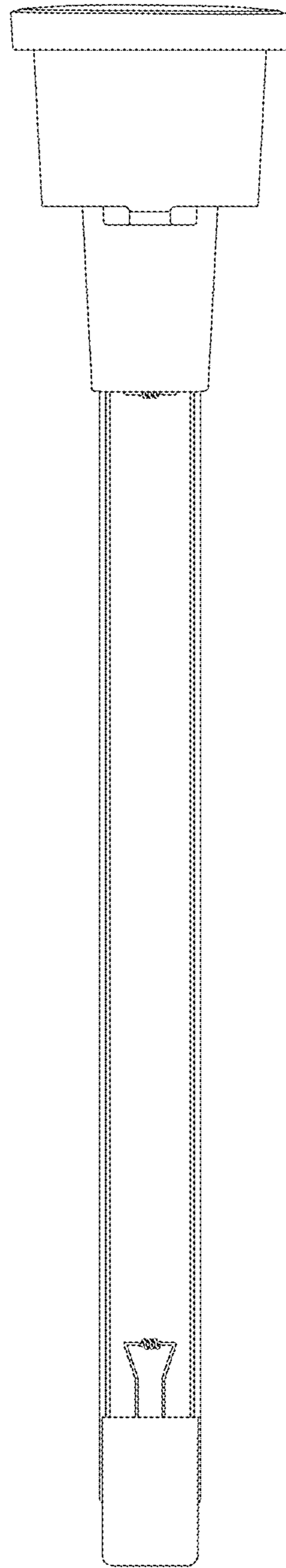


FIG. 7



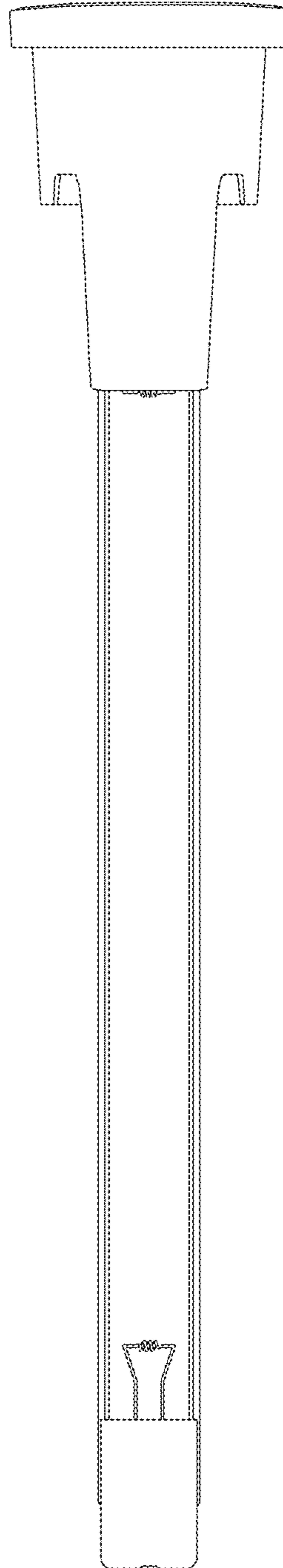


FIG. 8

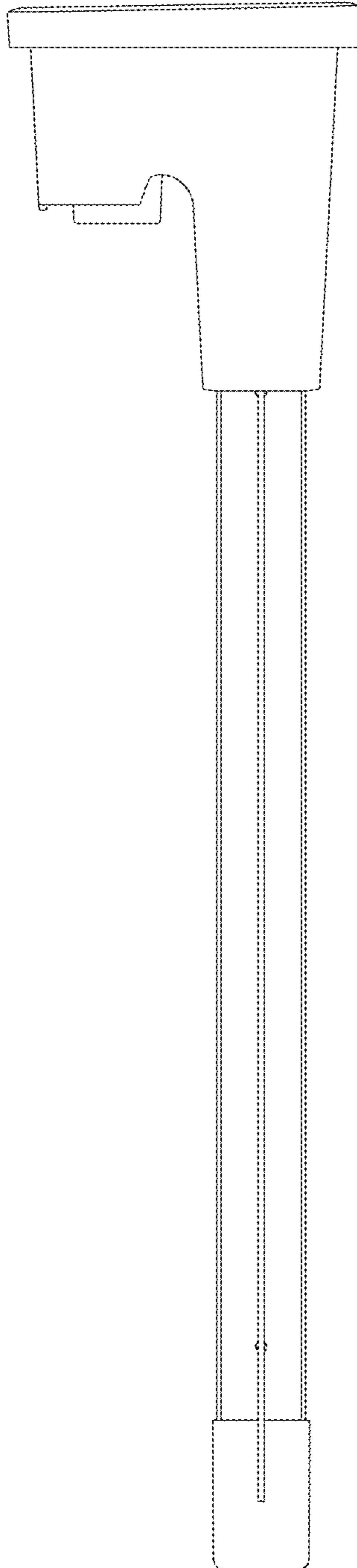


FIG. 9

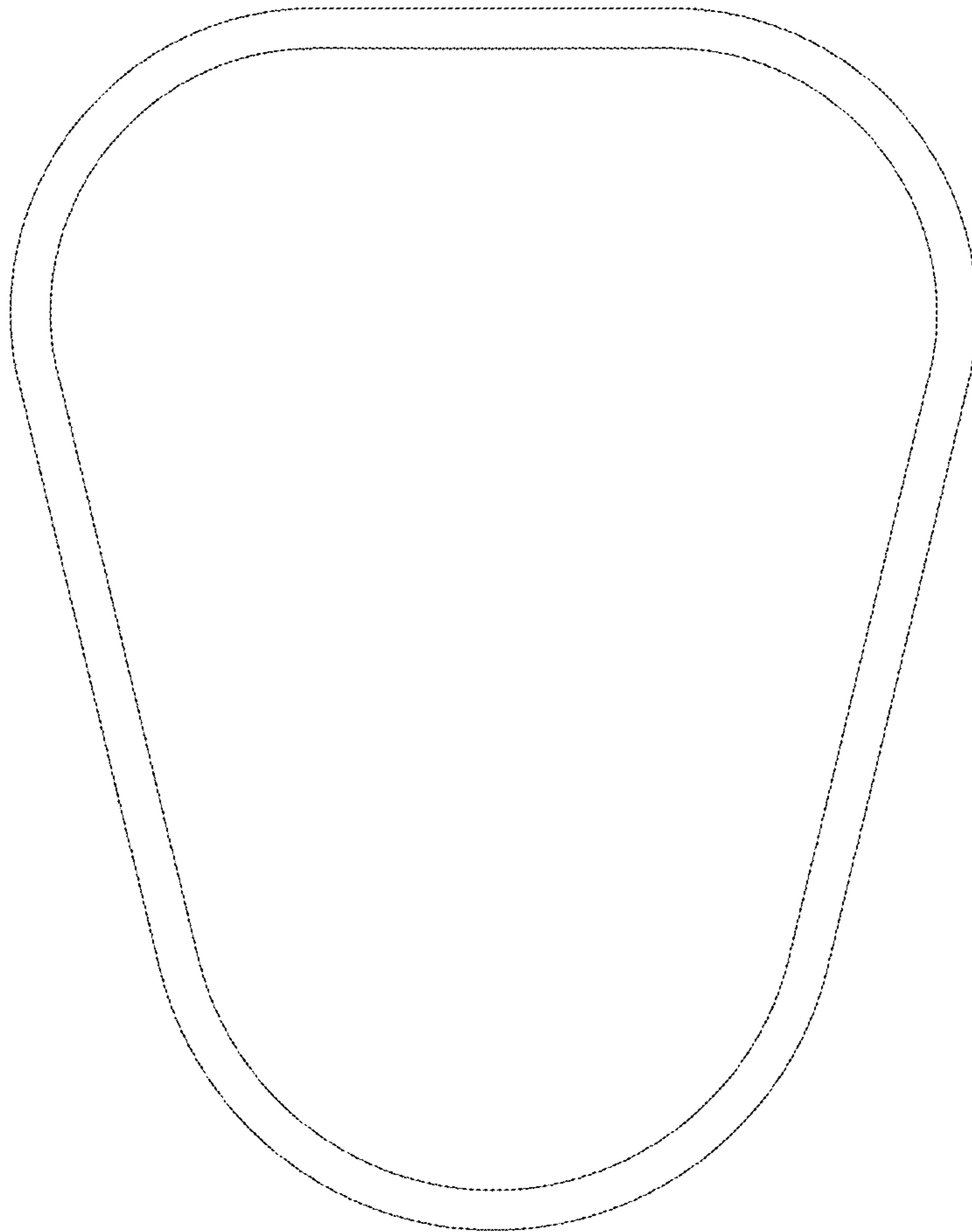


FIG. 10

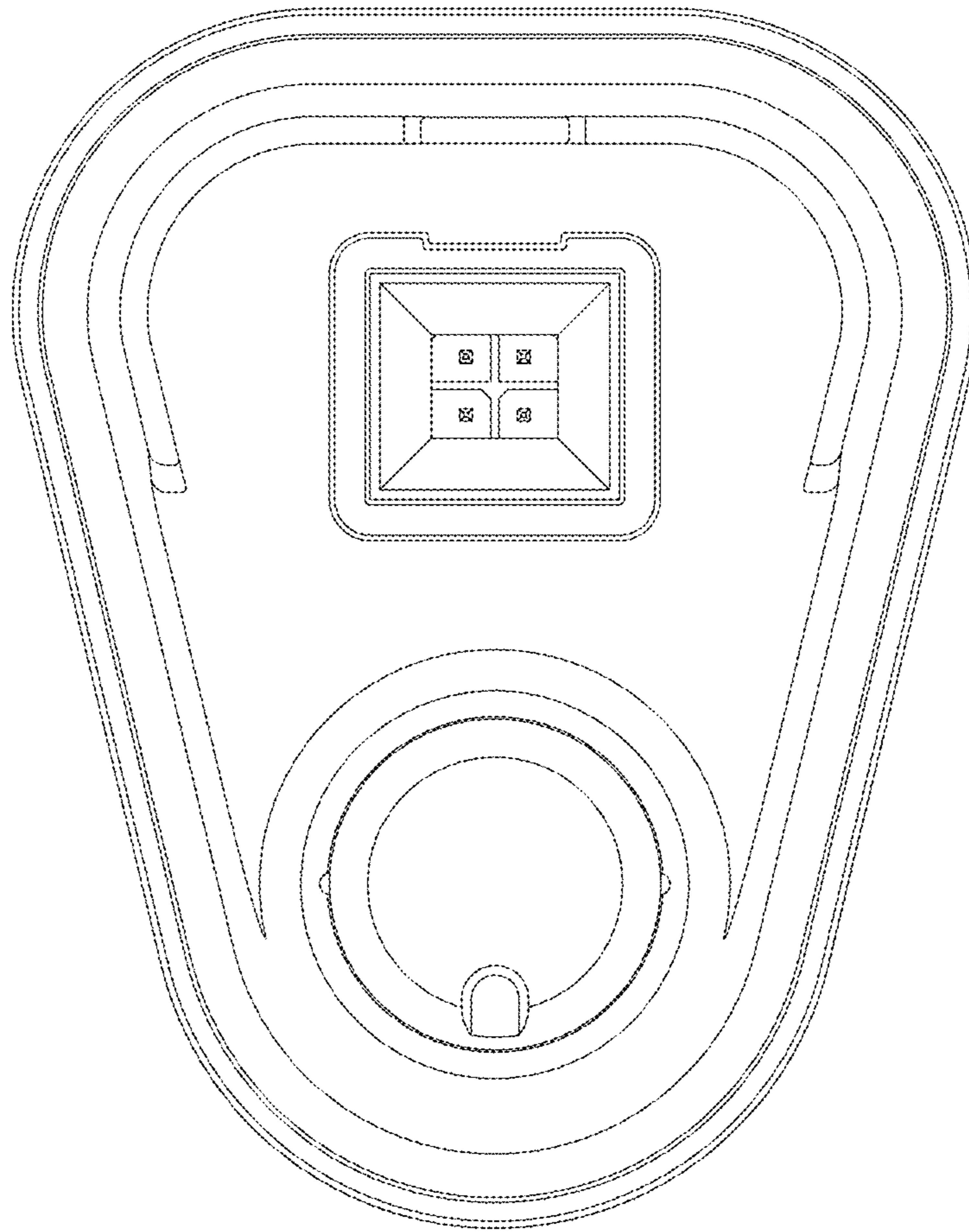


FIG. 11