



US00D943120S

(12) **United States Design Patent** (10) **Patent No.:** **US D943,120 S**
Sexton et al. (45) **Date of Patent:** **** Feb. 8, 2022**

(54) **SIDING PANEL**
(71) Applicant: **CERTAINTED CORPORATION**,
Malvern, PA (US)
(72) Inventors: **Neil J. Sexton**, Jackson, MI (US);
Brian W. Kirn, Hatboro, PA (US);
Ryan Lee Applegate, Jerome, MI (US)
(**) Term: **15 Years**

3,001,332 A 9/1961 Wilder
3,159,943 A 12/1964 Sugar et al.
3,248,835 A 5/1966 Westlind
3,485,004 A 12/1969 Mattes
3,520,099 A 7/1970 Mattes
4,187,661 A 2/1980 Poiry
4,274,236 A 6/1981 Kessler
4,506,486 A 3/1985 Culpepper, Jr. et al.
4,598,522 A 7/1986 Hoofe, III
4,782,638 A 11/1988 Hovind
4,864,787 A 9/1989 Bukowski
4,864,788 A 9/1989 Tippmann

(Continued)

(21) Appl. No.: **29/700,060**

(22) Filed: **Jul. 31, 2019**

Related U.S. Application Data

(62) Division of application No. 29/643,823, filed on Apr. 12, 2018, now Pat. No. Des. 863,604, which is a division of application No. 29/505,560, filed on Dec. 23, 2015, now Pat. No. Des. 818,151.

(51) **LOC (13) Cl.** **25-01**

(52) **U.S. Cl.**
USPC **D25/139; D25/141**

(58) **Field of Classification Search**
USPC **D25/138-141**

CPC **E04D 1/00; E04D 1/06; E04D 1/12; E04D 1/18; E04D 3/00; E04D 3/16; E04D 3/24; E04D 3/30; E04D 3/361; E04D 3/362; E04D 3/363; E04F 2201/0115; E04F 13/08; E04F 13/0862; E04F 13/0866; E04F 13/0871; E04F 13/0876; E04F 13/0878; E04F 13/0889; E04F 13/09; E04F 13/0864; E04C 2002/004; E04C 2002/005; E04C 2/38; E04C 2/40; E04C 2/08; E04C 2/30**

See application file for complete search history.

(56) **References Cited**

U.S. PATENT DOCUMENTS

1,570,516 A 1/1926 Miller
1,579,693 A 4/1926 Finkeldey

OTHER PUBLICATIONS

NY New York Siding / Westchester siding / Putman siding / Contractors (on-line), dated Mar. 3, 2010, 5 pages. [https://web.archive.org/web/20100303200906 http://www.sidingny.com](https://web.archive.org/web/20100303200906/http://www.sidingny.com).

(Continued)

Primary Examiner — Kimberly Barnes

(74) *Attorney, Agent, or Firm* — Abel Sehillinser, LLP;
Thomas H. Osborn

(57) **CLAIM**

The ornamental design for a siding panel, as shown and described.

DESCRIPTION

FIG. 1 is a top front isometric view of a siding panel showing our new design.

FIG. 2 is a front view of FIG. 1.

FIG. 3 is a rear view of FIG. 1.

FIG. 4 is a right side view of FIG. 1.

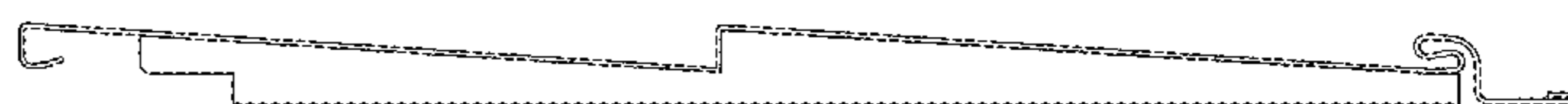
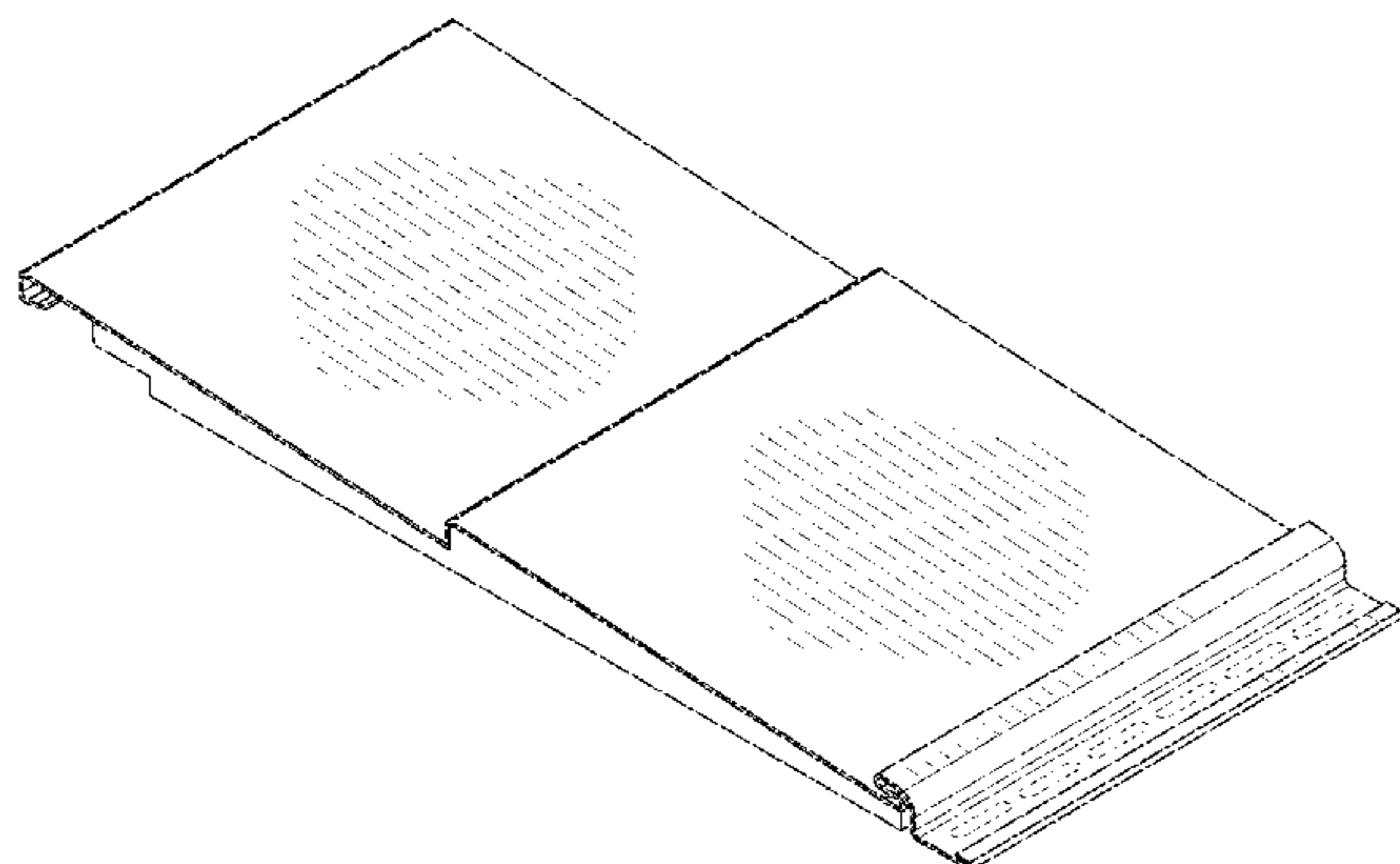
FIG. 5 is a left side view of FIG. 1.

FIG. 6 is a top view of FIG. 1; and,

FIG. 7 is a bottom view of FIG. 1.

The broken lines in the drawings depict portions of the siding panel that form no part of the claimed design.

1 Claim, 5 Drawing Sheets



(56)

References Cited

U.S. PATENT DOCUMENTS

5,150,555 A 9/1992 Wood
 5,363,623 A 11/1994 King
 5,465,543 A 11/1995 Seifert
 5,475,963 A 12/1995 Chelednik
 5,548,940 A 8/1996 Baldock
 5,575,127 A 11/1996 O’Neal
 5,651,227 A 7/1997 Anderson
 5,661,939 A 9/1997 Coulis et al.
 5,768,844 A 6/1998 Grace, Sr. et al.
 5,857,303 A 1/1999 Beck et al.
 6,029,415 A 2/2000 Culpepper et al.
 6,065,260 A 5/2000 Dickey et al.
 D448,865 S 10/2001 Manning
 D450,138 S 11/2001 Barber
 6,321,500 B1 11/2001 Manning et al.
 D452,334 S 12/2001 Gilbert et al.
 6,341,463 B1 1/2002 Dickey et al.
 6,341,464 B1 1/2002 Dickey et al.
 6,363,676 B1* 4/2002 Martion, III E04F 13/0864
 52/519
 6,370,832 B1* 4/2002 McGarry E04F 13/0864
 52/520
 6,415,574 B2 7/2002 Beck
 D471,292 S 3/2003 Barber
 6,526,718 B2 3/2003 Manning et al.
 6,907,702 B2 6/2005 Gilbert et al.
 6,971,211 B1 12/2005 Zehner
 7,040,067 B2 5/2006 Mowery et al.
 D530,833 S 10/2006 Robertson et al.
 7,186,457 B1 3/2007 Zehner et al.
 7,188,454 B2 3/2007 Mowery et al.
 7,658,051 B2* 2/2010 Benes E04F 13/0864
 52/745.21
 7,685,787 B1 3/2010 Mollinger et al.
 7,712,276 B2 5/2010 Gilbert et al.
 7,739,847 B2 6/2010 Grimman
 7,779,594 B2 8/2010 Mowery et al.
 7,908,814 B2 3/2011 Wilson et al.
 7,934,352 B1 5/2011 Mollinger et al.

7,980,038 B2* 7/2011 O’Neal E04F 13/0864
 52/551
 7,984,597 B2 7/2011 Mollinger et al.
 8,006,455 B1 8/2011 Mollinger et al.
 8,069,629 B2 12/2011 Rockwell et al.
 8,091,313 B2 1/2012 Wilson et al.
 8,225,567 B1 7/2012 Mollinger et al.
 8,225,568 B1 7/2012 Mollinger et al.
 8,225,573 B2 7/2012 Wilson et al.
 8,336,269 B1 12/2012 Mollinger et al.
 8,381,472 B1 2/2013 Fleenor
 8,387,325 B2* 3/2013 Mullet E04B 1/66
 52/526
 8,458,978 B2 6/2013 Mahaffey
 8,511,030 B2 8/2013 Wilson et al.
 8,621,811 B2 1/2014 Hartman
 8,756,892 B2 6/2014 Wilson et al.
 9,267,289 B2 2/2016 Vander Laan et al.
 9,428,910 B2 8/2016 Olvey
 D768,883 S 10/2016 Wade et al.
 D792,615 S* 7/2017 Steffes D25/139
 D818,151 S* 5/2018 Sexton D25/139
 D831,233 S 10/2018 Anderson
 D863,604 S* 10/2019 Sexton D25/141
 10,544,593 B2* 1/2020 Schultz E04F 13/0864
 10,753,099 B2* 8/2020 O’Neal E04F 13/0803
 10,787,818 B2* 9/2020 Schultz E04F 13/0876
 10,822,807 B2* 11/2020 Olvey E04C 2/292
 10,920,428 B2* 2/2021 Culpepper E04F 13/0864
 10,961,717 B2* 3/2021 Donnelly E04B 1/6104
 2012/0251227 A1 10/2012 Owens
 2012/0285109 A1 11/2012 Mollinger et al.
 2016/0047128 A1 2/2016 Yoder et al.
 2018/0202167 A1 7/2018 Culpepper et al.
 2019/0203479 A1* 7/2019 Colyn E04C 2/296

OTHER PUBLICATIONS

Insulated Siding—Cedarboards Colors and Styles / CertainTeed (on-line). <https://www.certainteed.com/siding/insulated-sliding-colors-styles>, (3 Pages).

* cited by examiner

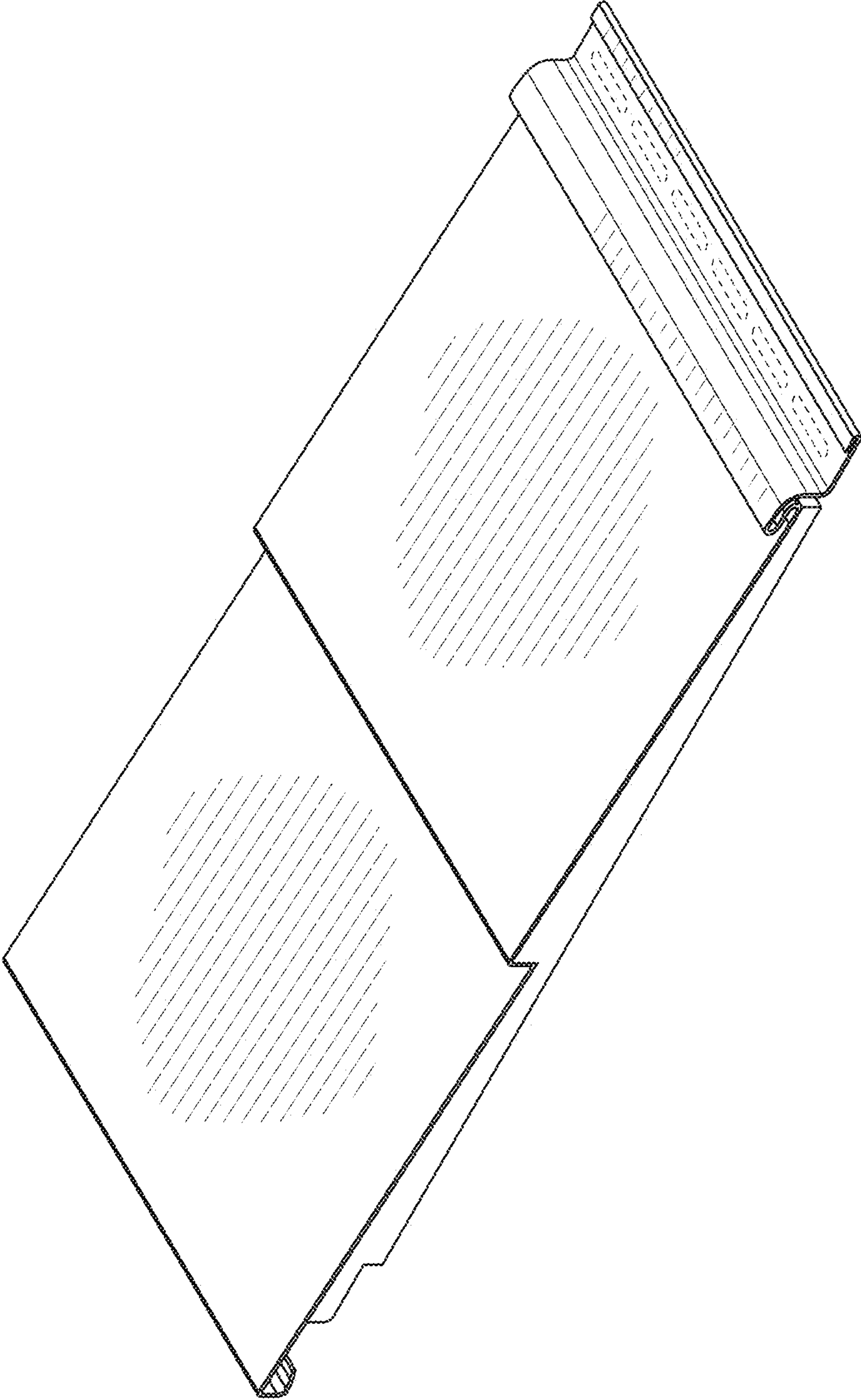


FIG. 1

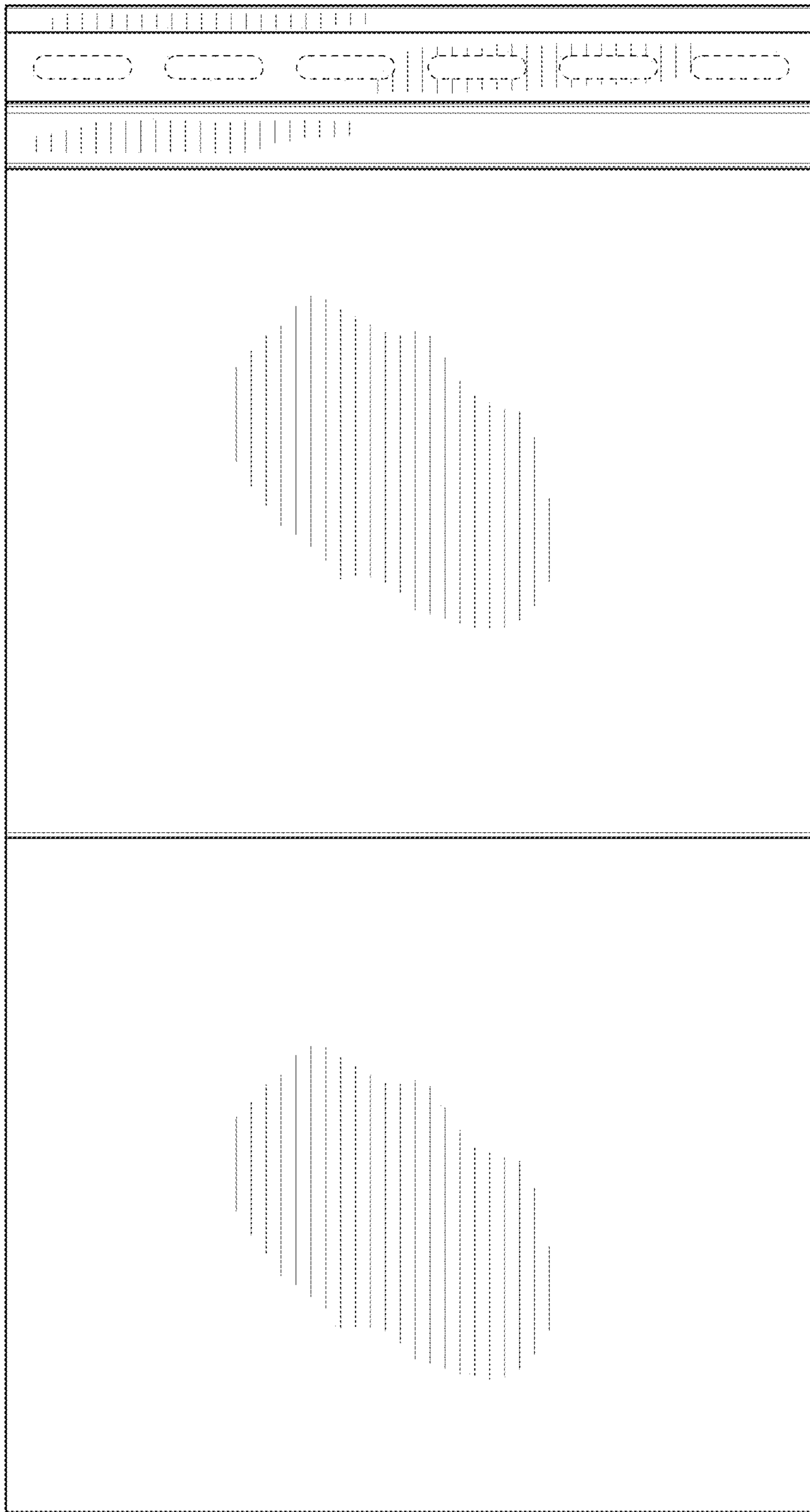


FIG. 2

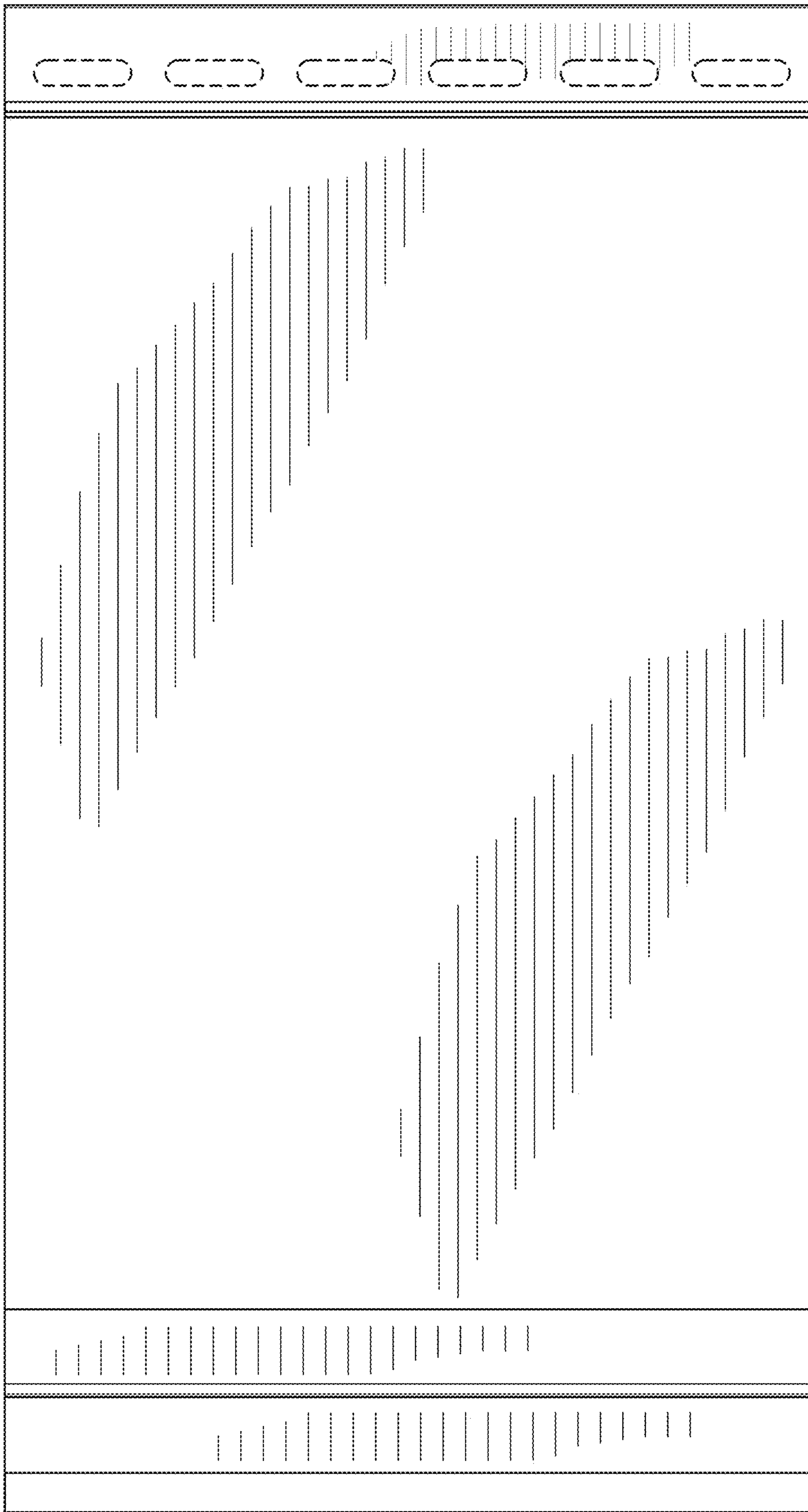


FIG. 3

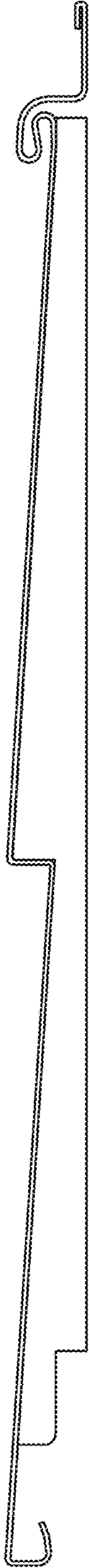


FIG. 4

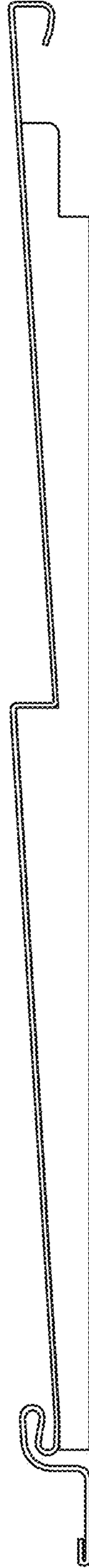


FIG. 5

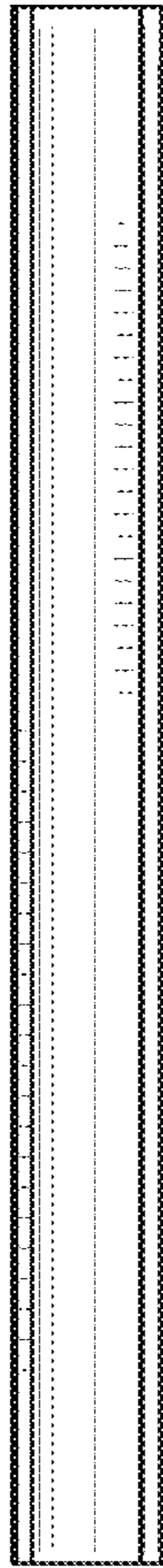


FIG. 6

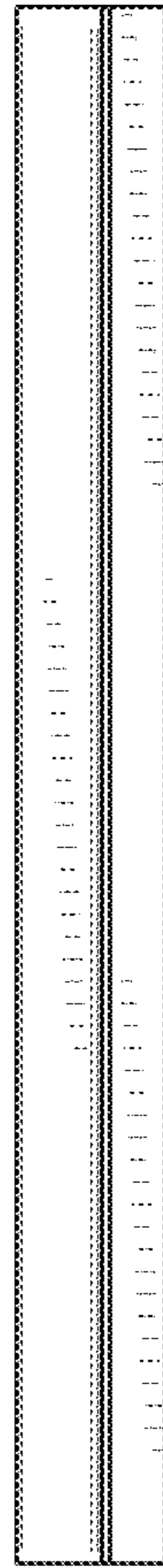


FIG. 7