



US00D943116S

(12) **United States Design Patent** (10) **Patent No.:** **US D943,116 S**
Ege et al. (45) **Date of Patent:** **** Feb. 8, 2022**

(54) **DOOR FACING**

(71) Applicant: **Masonite Corporation**, Tampa, FL (US)

(72) Inventors: **Patrick C. Ege**, Westmont, IL (US);
Timothy D. Gouge, Elgin, IL (US);
Alan Pepin, Saint Cloud, FL (US)

(73) Assignee: **Masonite Corporation**, Tampa, FL (US)

(**) Term: **15 Years**

(21) Appl. No.: **29/746,367**

(22) Filed: **Aug. 13, 2020**

Related U.S. Application Data

(62) Division of application No. 29/689,732, filed on May 1, 2019, now Pat. No. Des. 893,755.

(51) **LOC (13) Cl.** **25-02**

(52) **U.S. Cl.**
USPC **D25/48.3**

(58) **Field of Classification Search**
USPC D25/48.1, 48.3, 48.4, 48.5, 138
(Continued)

(56) **References Cited**

U.S. PATENT DOCUMENTS

432,504 A * 7/1890 Amsden E06B 3/5892
52/455
557,148 A * 3/1896 Rapp E06B 3/5892
52/455

(Continued)

FOREIGN PATENT DOCUMENTS

CA 122260 * 3/2009
CN 302837877 * 6/2014

(Continued)

OTHER PUBLICATIONS

6'8_2-Panel Molded Smooth Interior Prehung Door Unit <https://www.doorclearancecenter.com/interior-doors/68-2-panel-molded-smooth-interior-prehung-door-unit/> Sep. 2018 (Year: 2018).*

(Continued)

Primary Examiner — Leanne Was-Englehart

(74) *Attorney, Agent, or Firm* — Berenato & White, LLC

(57) **CLAIM**

The ornamental design for door facing therefor, as shown and described.

DESCRIPTION

FIG. 1 is a front perspective view of a first door facing; FIG. 2 is a front elevational view of the door facing of FIG. 1; FIG. 3 is a rear elevational view; FIG. 4 is a cross sectional view taken along the line 4-4 of FIG. 1; FIG. 5 is a top view of the door facing of FIG. 1; FIG. 6 is a bottom view of the door facing of FIG. 1; FIG. 7 is a cross-sectional view taken along the line 7-7 of FIG. 2; FIG. 8 is an enlarged view of the circled portion of FIG. 7; FIG. 9 is a left side view; FIG. 10 is a right side view; FIG. 11 is a cross-sectional view taken along the line 11-11 of FIG. 2; FIG. 12 is an enlarged view of the encircled portion of FIG. 11; FIG. 13 is a front perspective view of a second door facing; FIG. 14 is a front elevational view of the door facing of FIG. 13; FIG. 15 is a rear elevational view; FIG. 16 is a cross sectional view taken along the line 16-16 of FIG. 13; FIG. 17 is a top view of the door facing of FIG. 13; FIG. 18 is a bottom view of the door facing of FIG. 13; FIG. 19 is a cross-sectional view taken along the line 19-19 of FIG. 14; FIG. 20 is an enlarged view of the circled portion of FIG. 19;

(Continued)

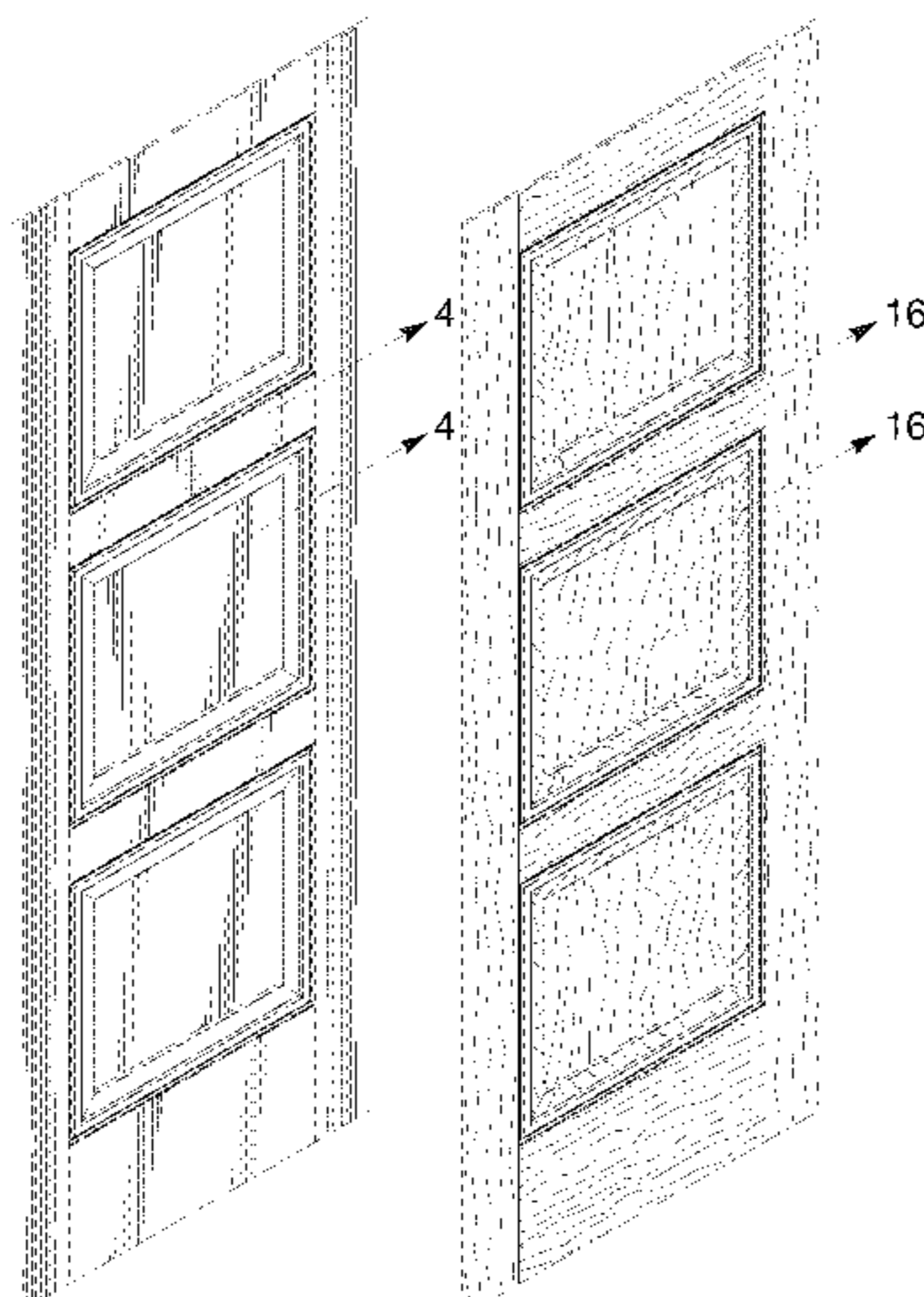


FIG. 21 is a left side view;
 FIG. 22 is a right side view;
 FIG. 23 is a cross-sectional view taken along the line 23-23 of FIG. 14; and,
 FIG. 24 is an enlarged view of the encircled portion of FIG. 23.
 The broken line circles depict the limits of the enlarged views that form no part of the claimed design.

1 Claim, 14 Drawing Sheets

(58) **Field of Classification Search**

CPC E06B 3/4636; E06B 3/485; E06B 3/58;
 E06B 3/5892; E06B 3/7001; E06B 3/72;
 E06B 3/78; E06B 2003/7044; E06B
 2003/7048; E06B 1/04; E06B 1/006;
 E06B 1/524; E06B 5/00; E04C 2/36
 See application file for complete search history.

(56) **References Cited**

U.S. PATENT DOCUMENTS

| | | | | | |
|-----------|------|---------|----------------|-------|-------------|
| 619,676 | A * | 2/1899 | Cronin | | E06B 3/685 |
| | | | | | 52/456 |
| 926,361 | A * | 6/1909 | Sjobring | | E06B 3/5892 |
| | | | | | 52/455 |
| 986,013 | A * | 3/1911 | Klemm | | E06B 3/728 |
| | | | | | 52/800.18 |
| 988,574 | A * | 4/1911 | Jones | | E06B 3/5892 |
| | | | | | 52/455 |
| 1,021,053 | A * | 3/1912 | Lempera | | E06B 3/5892 |
| | | | | | 52/455 |
| 1,082,071 | A * | 12/1913 | Danielson | | E06B 3/5892 |
| | | | | | 52/455 |
| 1,086,934 | A * | 2/1914 | Parish | | E06B 3/5892 |
| | | | | | 52/800.17 |
| 1,156,950 | A * | 10/1915 | Wallace et al. | | E06B 3/5892 |
| | | | | | 52/455 |
| 1,166,228 | A * | 12/1915 | Larson et al. | | E06B 3/5892 |
| | | | | | 52/455 |
| 1,270,013 | A * | 6/1918 | Conwell | | E06B 3/5892 |
| | | | | | 52/455 |
| 1,548,235 | A * | 8/1925 | Zahner | | E06B 3/723 |
| | | | | | 52/455 |
| 1,642,553 | A * | 9/1927 | Nyman | | E06B 3/728 |
| | | | | | 52/800.16 |
| 1,750,428 | A * | 3/1930 | Pearson | | E06B 3/5892 |
| | | | | | 52/800.16 |
| 1,797,440 | A * | 3/1931 | New | | E06B 3/5892 |
| | | | | | 52/844 |
| 2,429,395 | A * | 10/1947 | Claud-Mantle | | E06B 3/4654 |
| | | | | | 16/92 |
| 3,004,641 | A * | 10/1961 | Johnson | | E06B 3/728 |
| | | | | | 52/455 |
| 5,557,899 | A * | 9/1996 | Dube | | E06B 3/58 |
| | | | | | 52/455 |
| 5,771,656 | A * | 6/1998 | Amoretti | | E06B 3/72 |
| | | | | | 144/344 |
| 6,185,894 | B1 * | 2/2001 | Sisco | | E06B 3/725 |
| | | | | | 52/455 |
| D472,407 | S * | 4/2003 | Lenger | | D6/702 |

| | | | | | |
|--------------|------|---------|----------|-------|-------------|
| D476,176 | S * | 6/2003 | Lenger | | D6/703.2 |
| D566,296 | S * | 4/2008 | Walsh | | D25/138 |
| D585,143 | S * | 1/2009 | Steiber | | D25/48.3 |
| D587,815 | S * | 3/2009 | Steiber | | D25/48.3 |
| D588,708 | S * | 3/2009 | Steiber | | D25/48.3 |
| D590,521 | S * | 4/2009 | Mock | | D25/138 |
| D597,681 | S * | 8/2009 | Amato | | D25/48.3 |
| D601,369 | S * | 10/2009 | Mock | | D6/703.2 |
| D616,117 | S * | 5/2010 | Steiber | | D25/136 |
| D649,262 | S * | 11/2011 | Walsh | | D25/48.1 |
| D789,553 | S * | 6/2017 | Allen | | D25/48.3 |
| D790,728 | S * | 6/2017 | Allen | | D25/48.3 |
| D797,311 | S * | 9/2017 | Cox | | D25/48.3 |
| D802,795 | S * | 11/2017 | Gouge | | D25/48.3 |
| D813,412 | S * | 3/2018 | Gouge | | D25/48.3 |
| D827,860 | S * | 9/2018 | Allen | | D25/48.3 |
| D828,929 | S * | 9/2018 | Cox | | D25/48.3 |
| D844,175 | S * | 3/2019 | Allen | | D25/48.3 |
| D851,280 | S * | 6/2019 | Gouge | | D25/48.3 |
| D893,755 | S * | 8/2020 | Ege | | E06B 3/822 |
| | | | | | D25/48.3 |
| D898,226 | S * | 10/2020 | Ege | | E06B 3/72 |
| | | | | | D25/48.3 |
| D919,120 | S * | 5/2021 | Pepin | | E06B 3/822 |
| | | | | | D25/48.3 |
| D919,121 | S * | 5/2021 | Ege | | E06B 3/7001 |
| | | | | | D25/48.3 |
| 2004/0103615 | A1 * | 6/2004 | Lynch | | E06B 3/7001 |
| | | | | | 52/784.1 |
| 2005/0193655 | A1 * | 9/2005 | Paxton | | E06B 3/5892 |
| | | | | | 52/204.591 |
| 2015/0360445 | A1 * | 12/2015 | Cai | | E06B 3/5892 |
| | | | | | 428/172 |
| 2018/0179807 | A1 * | 6/2018 | Wang | | E06B 3/78 |
| 2019/0195004 | A1 * | 6/2019 | Pepin | | E06B 3/822 |
| 2019/0195005 | A1 * | 6/2019 | Di Iulio | | E06B 3/72 |
| 2019/0234135 | A1 * | 8/2019 | Ege | | E06B 3/7001 |

FOREIGN PATENT DOCUMENTS

| | | | |
|----|----------------|---|---------|
| EM | 000014303-0006 | * | 11/2003 |
| EM | 000587449-0001 | * | 12/2006 |
| EM | 000786959-0001 | * | 11/2007 |
| EM | 002575118-0001 | * | 12/2014 |
| EM | 002575118-0002 | * | 12/2014 |
| EM | 005934023-0001 | * | 3/2019 |
| EM | 006264065-0002 | * | 4/2019 |
| GB | 6048958 | * | 11/2018 |
| IN | 259399-0001 | * | 12/2014 |
| TR | 200704701-0002 | * | 1/2008 |
| TR | 201407598-0001 | * | 4/2015 |

OTHER PUBLICATIONS

Amazon.com_2-Panel Door, Interior Door Slab <https://www.amazon.com/2-Panel-Interior-Solid-Square-Double/dp/B01LXV5KGU> Aug. 19, 2016 (Year: 2016).*

Masonite Interior Doors bmc https://bmc.a.bigcontent.io/v1/static/Masonite_Interior_Doors_2019/.pdf 2019 (Year: 2019).*

Old Mill Works Slab Dimensions <http://www.oldworldmillworks.com/wp-content/uploads/2015/07/OW202.pdf> Jun. 25, 2015 (Year: 2015).*

Pdf lowes design and size options http://pdf.lowes.com/dimensionsguides/030151206525_meas.pdf Oct. 11, 2018 (Year: 2018).*

* cited by examiner

FIG. 1

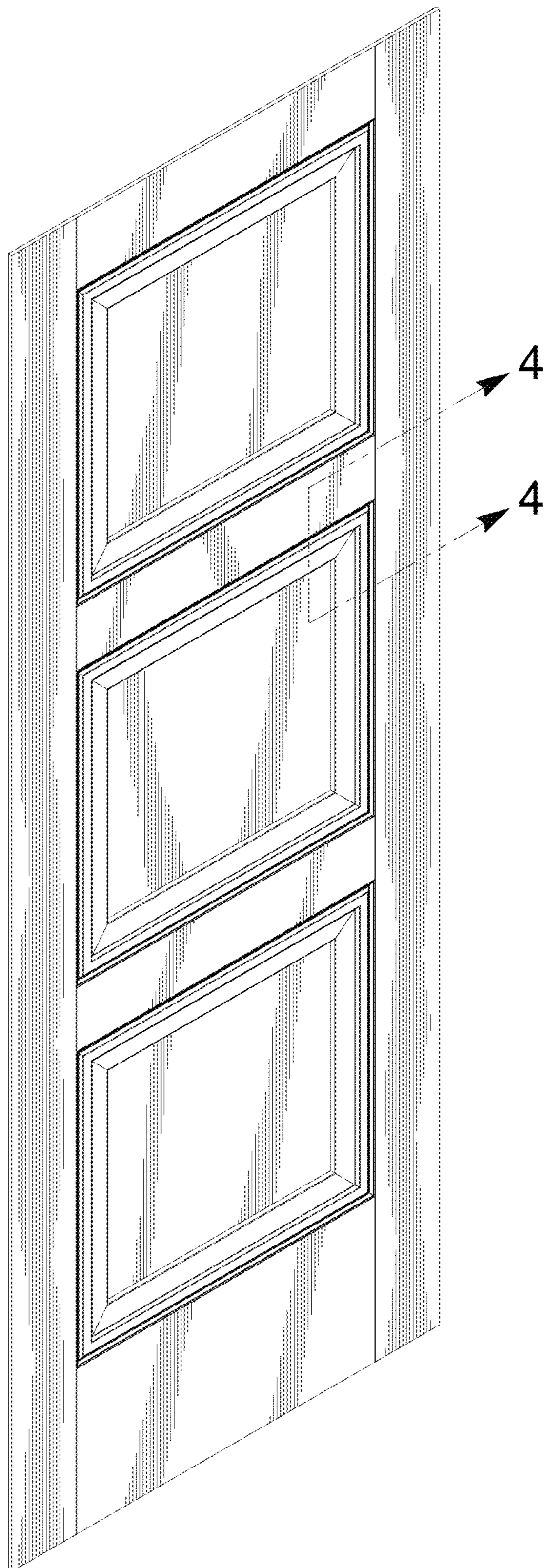


FIG. 2

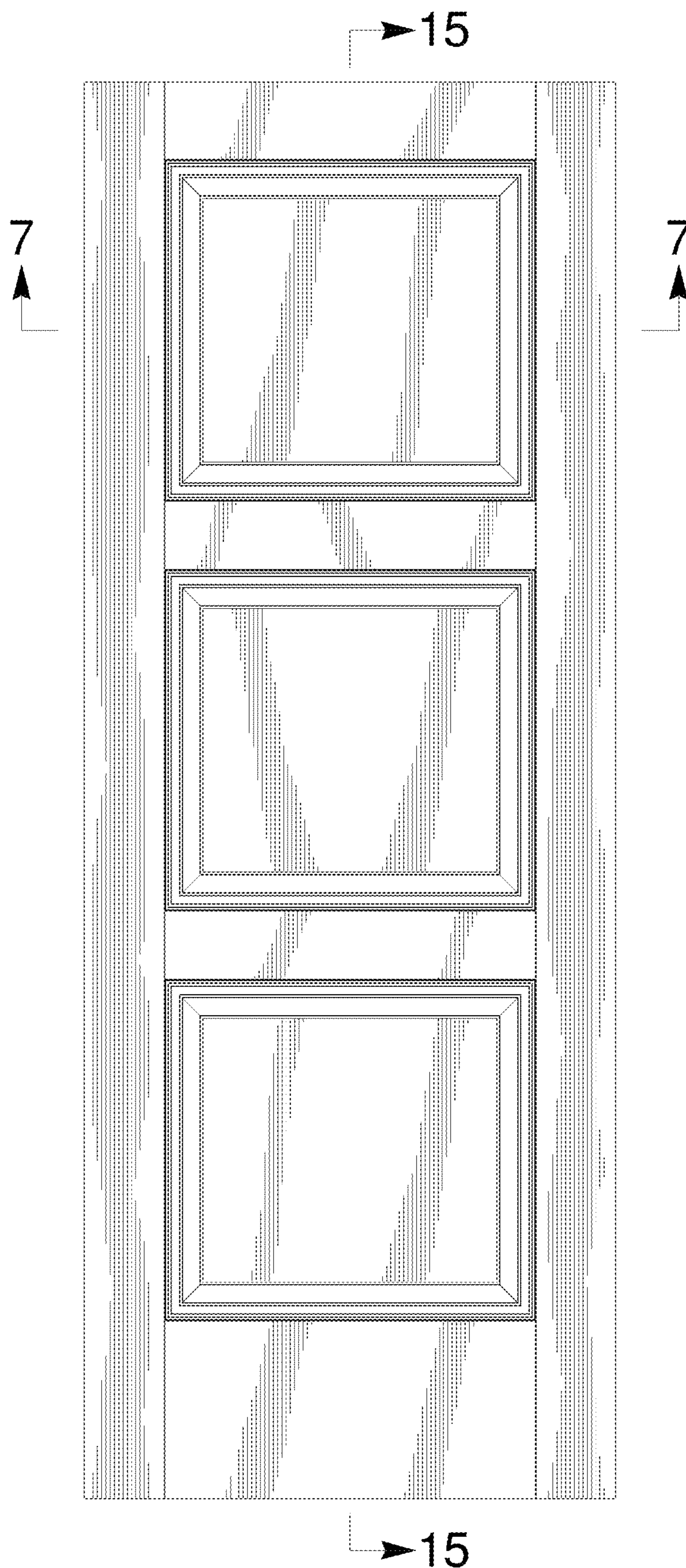


FIG. 3

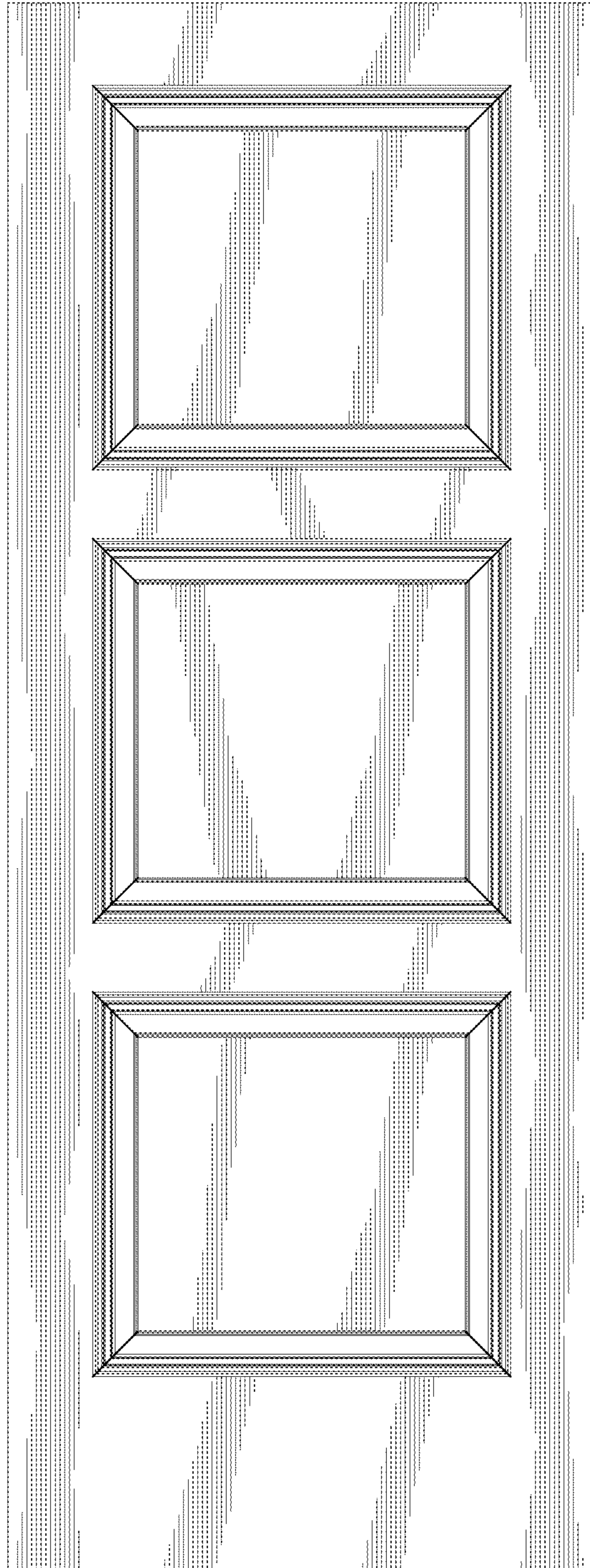


FIG. 4

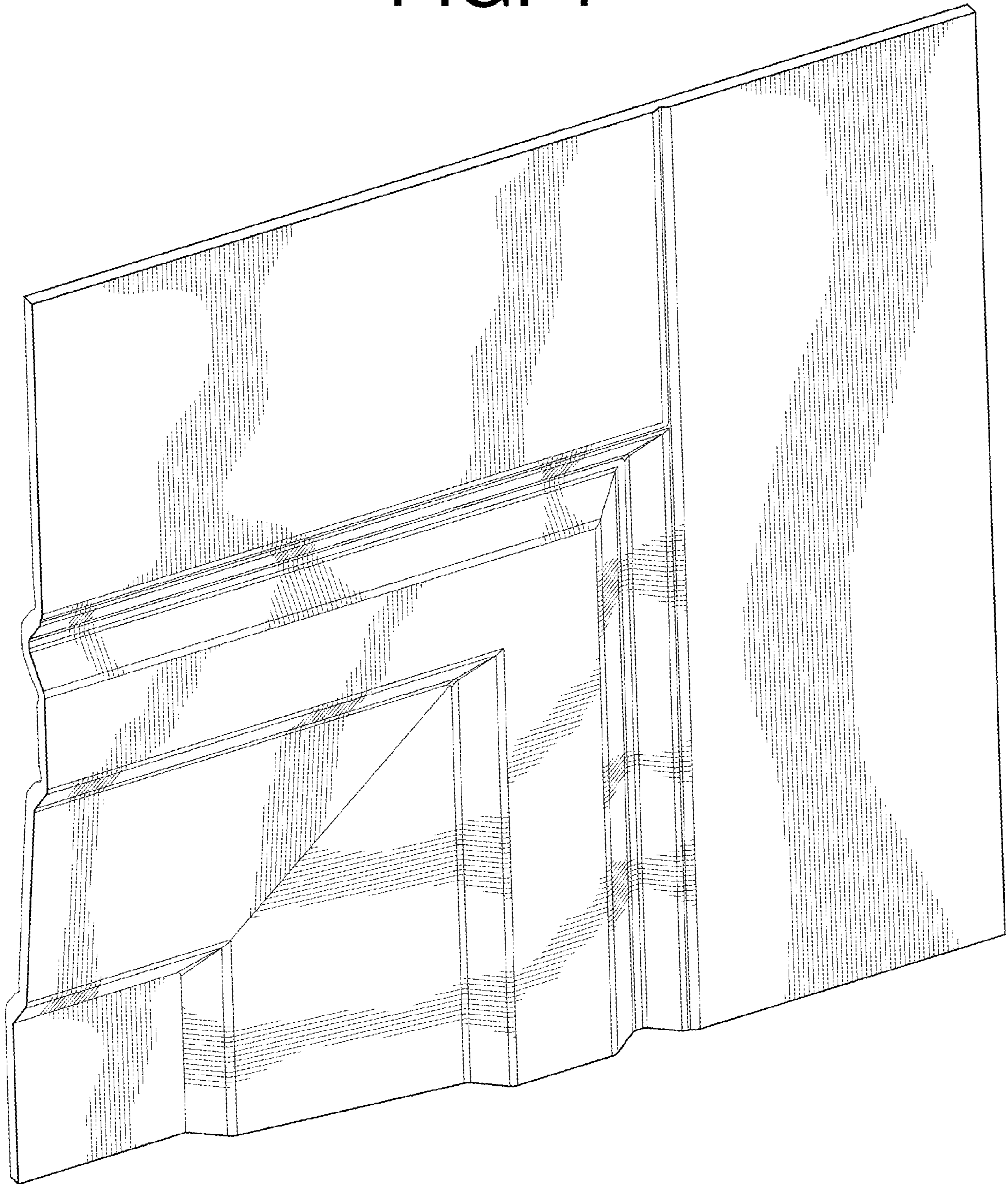


FIG. 5

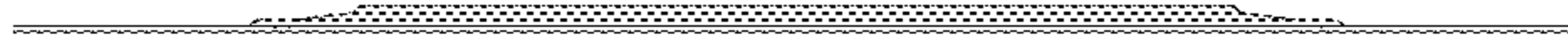


FIG. 6



FIG. 7



FIG. 8

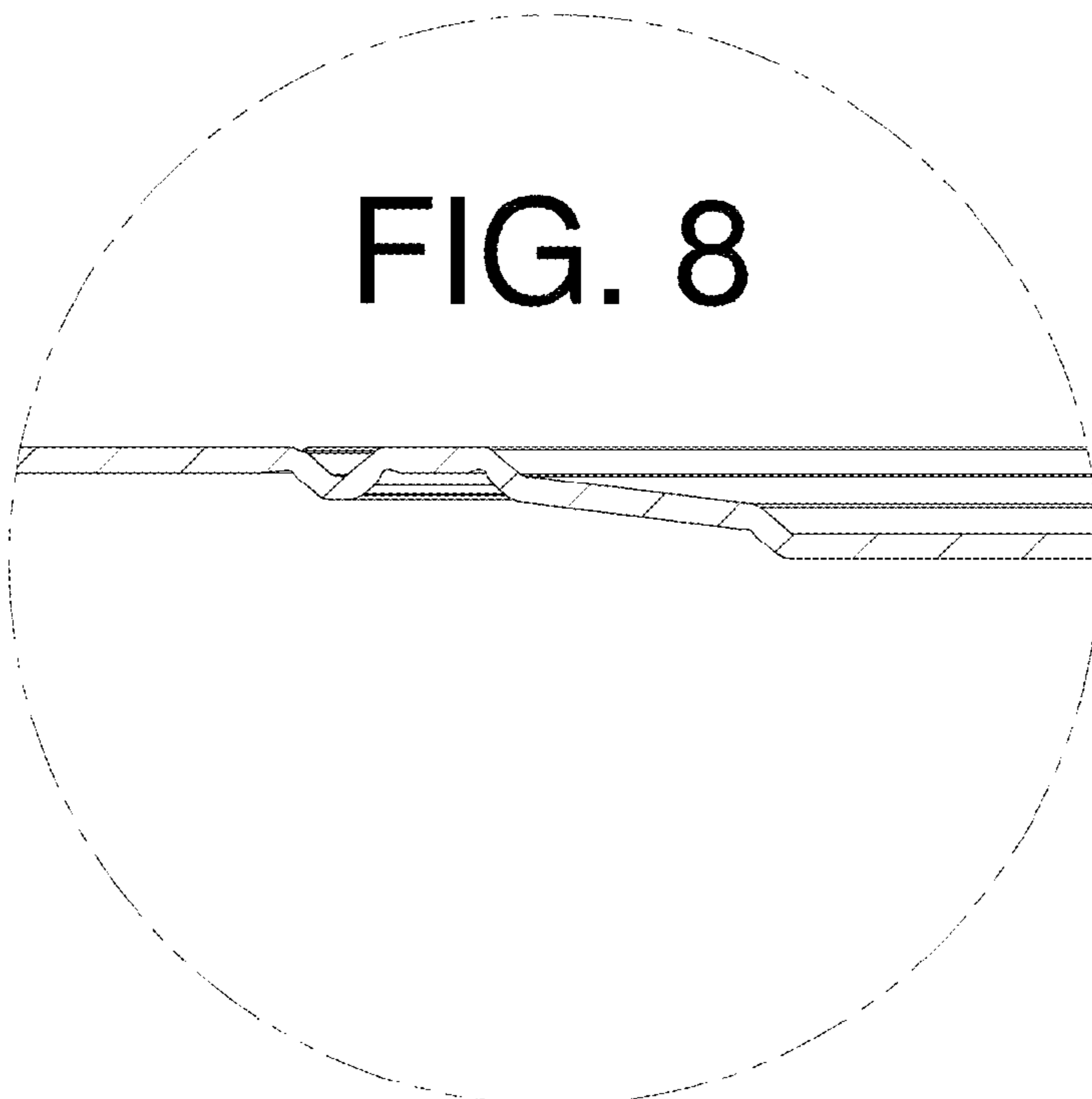


FIG. 9



FIG. 10



FIG. 11

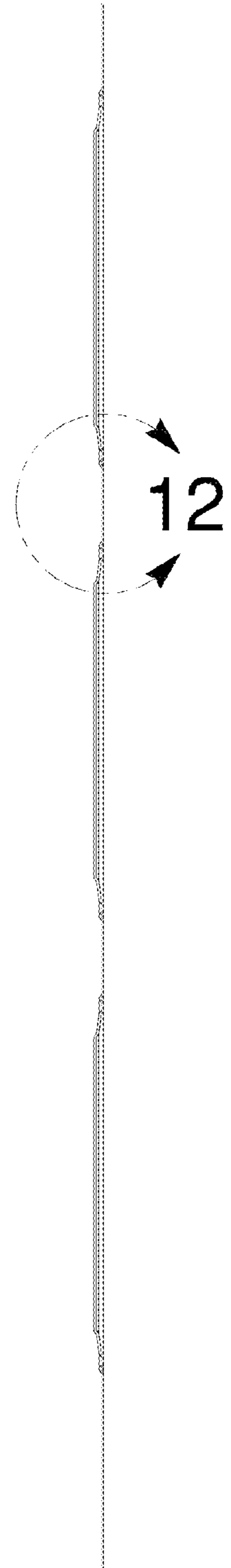


FIG. 12

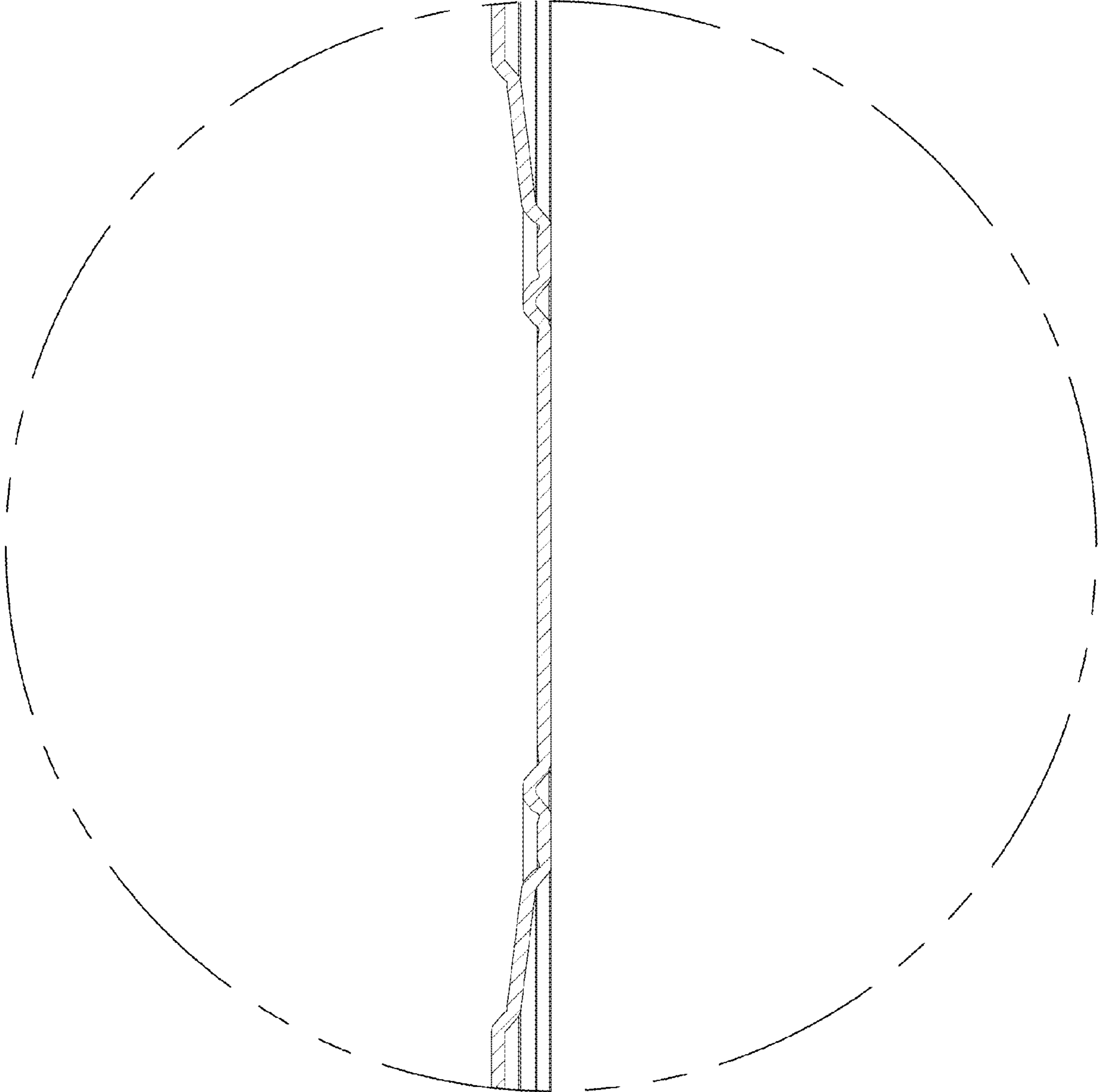


FIG. 13

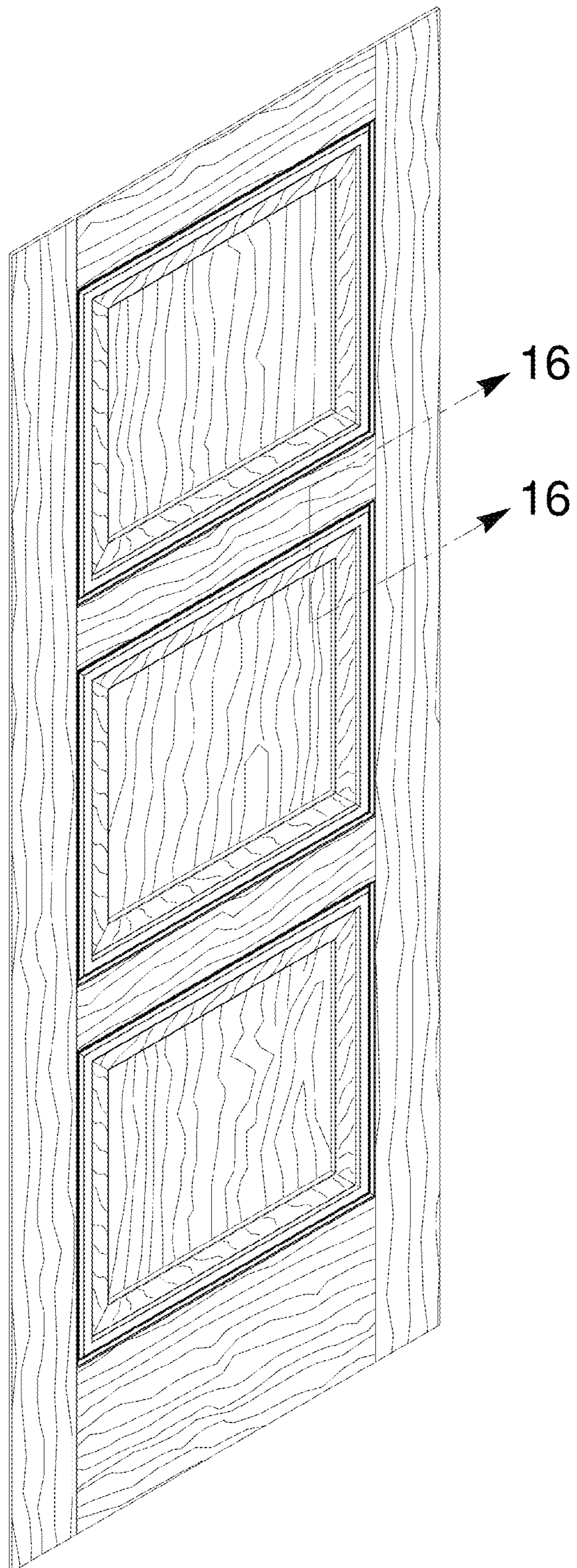


FIG. 14

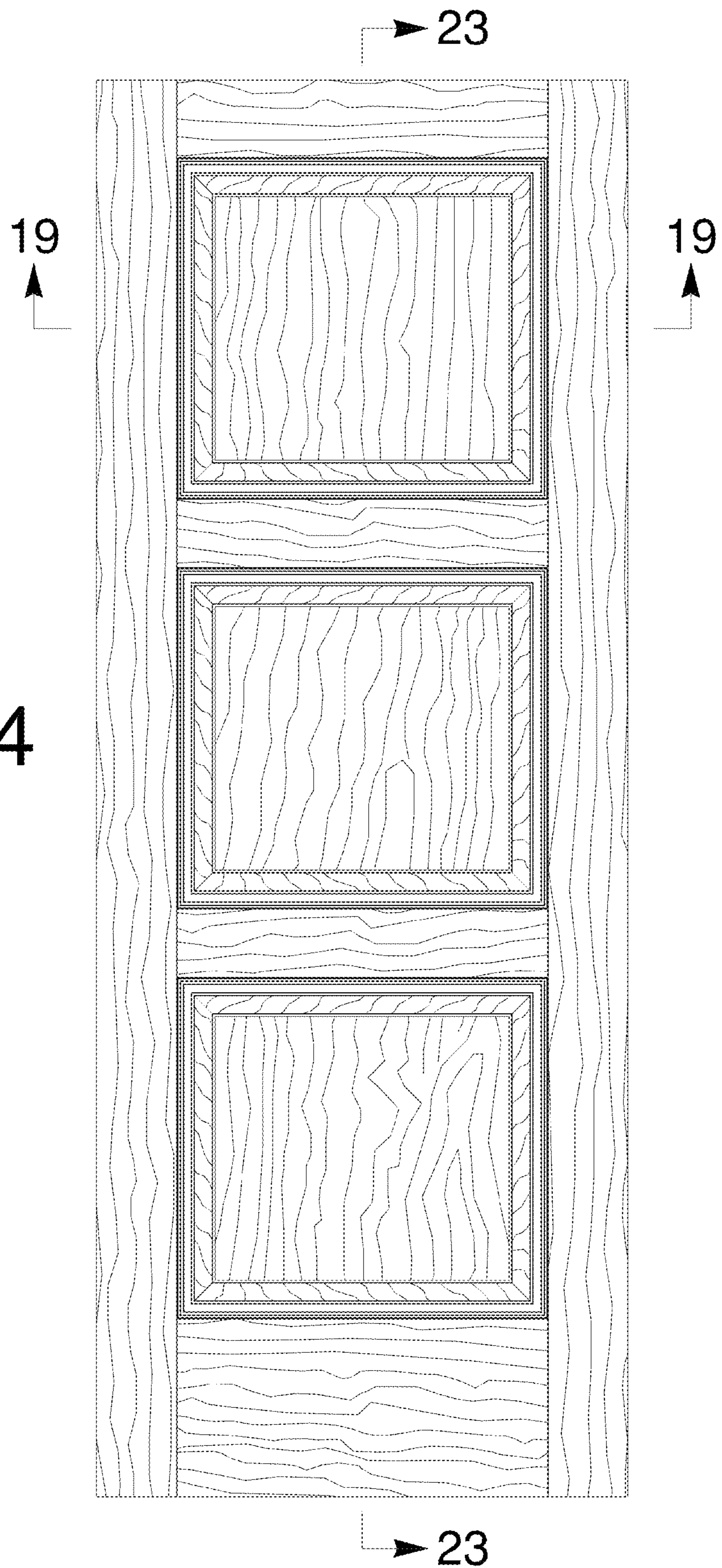


FIG. 15

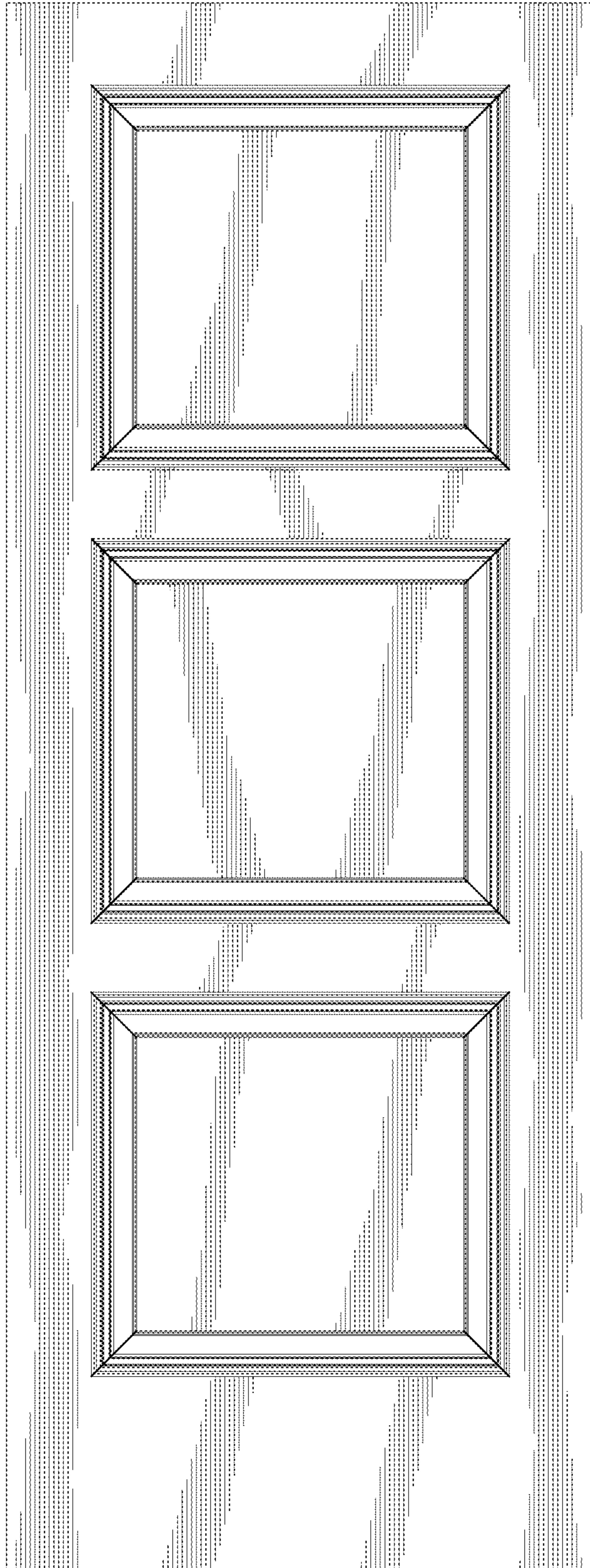


FIG. 16

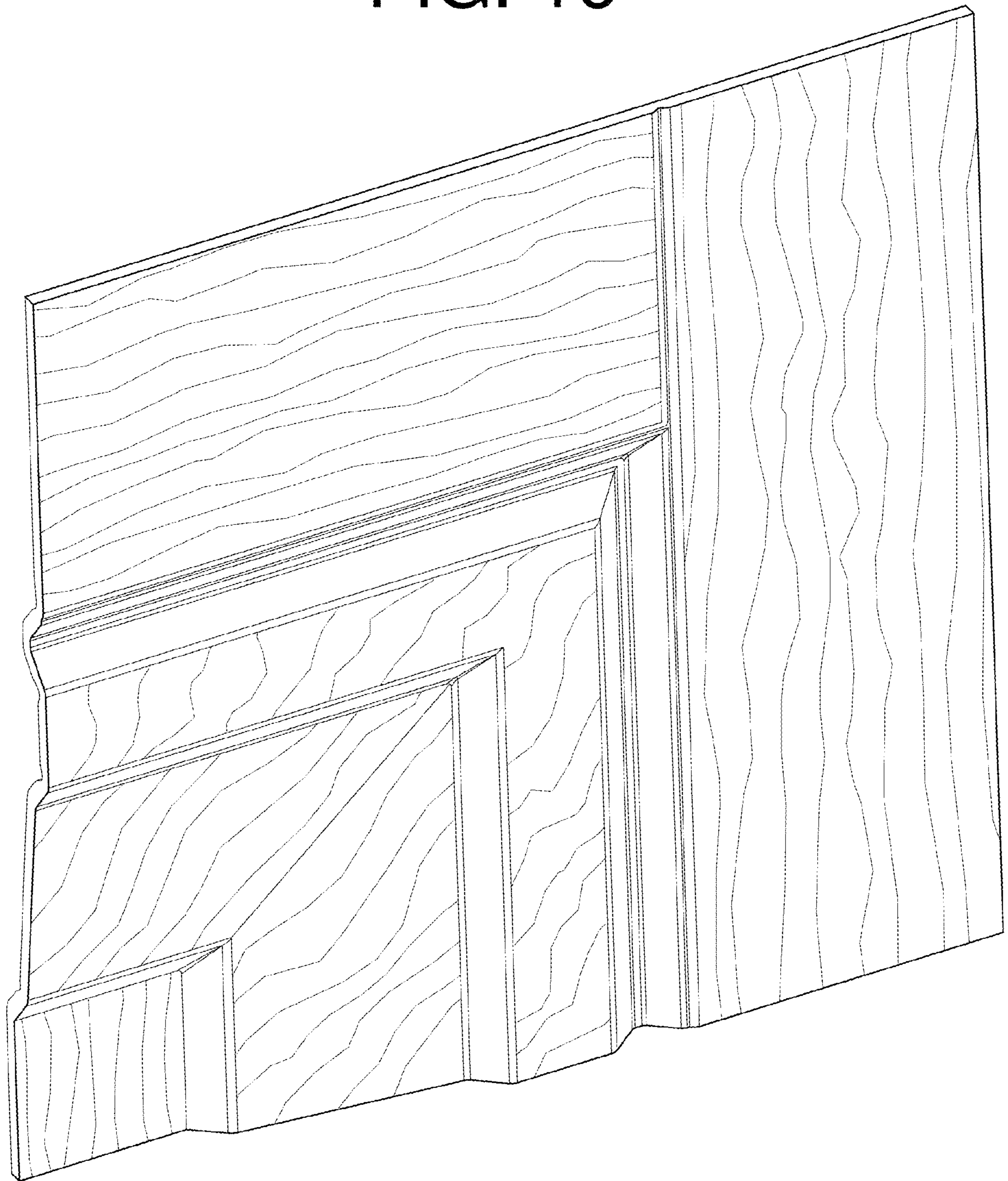


FIG. 17

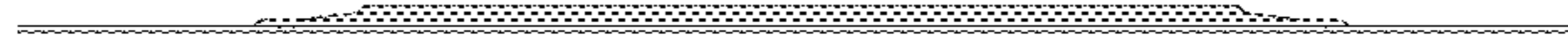


FIG. 18

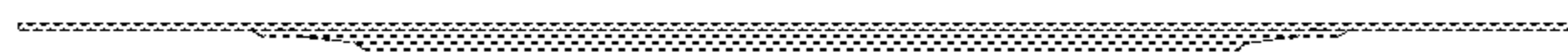


FIG. 19



FIG. 20

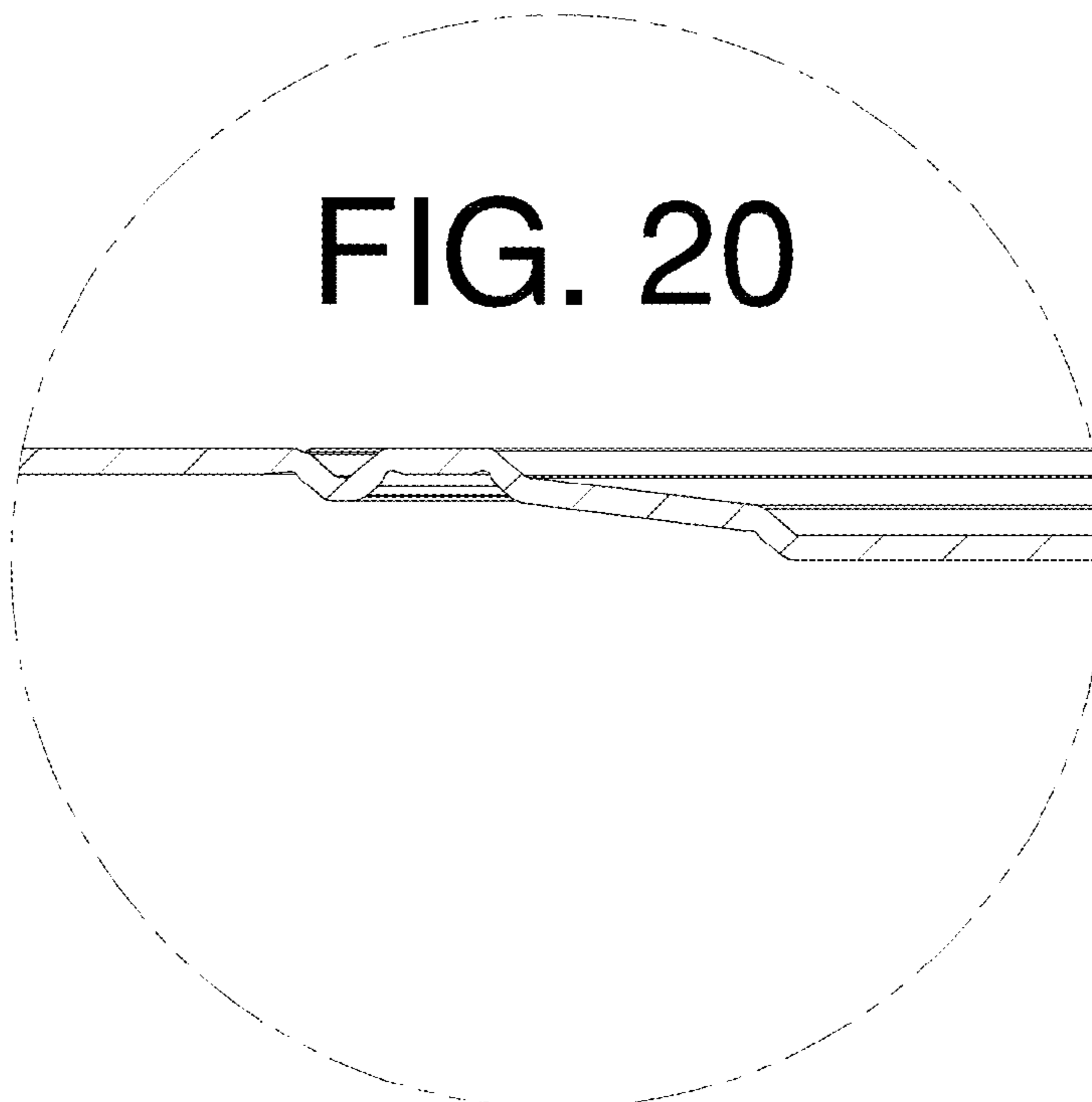


FIG. 21

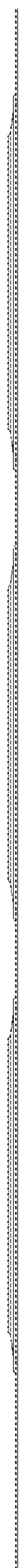


FIG. 22

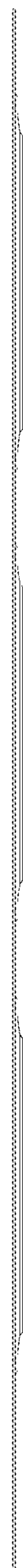


FIG. 23

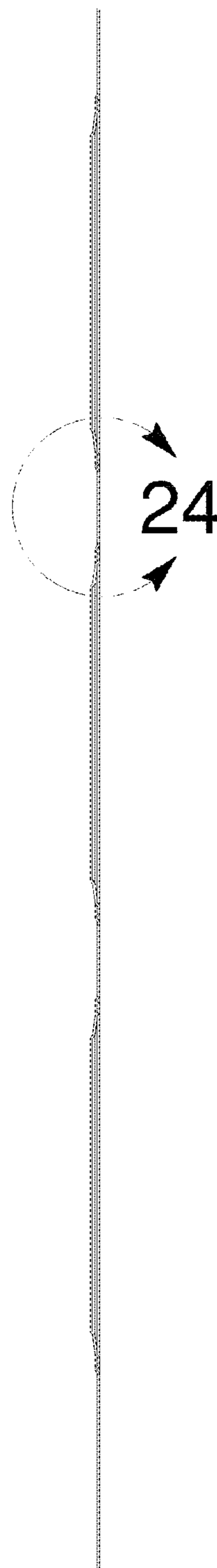
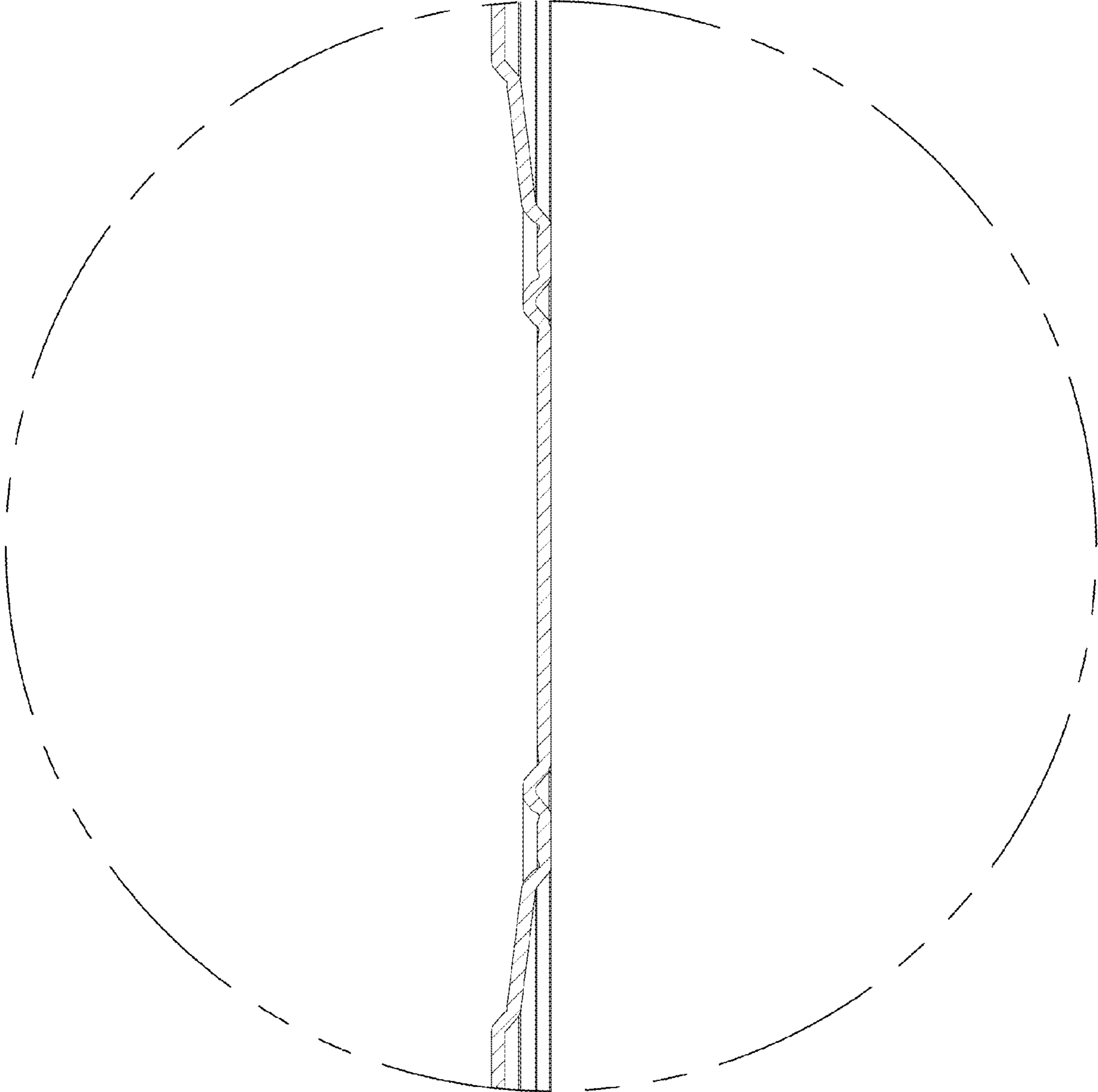


FIG. 24



UNITED STATES PATENT AND TRADEMARK OFFICE
CERTIFICATE OF CORRECTION

PATENT NO. : D943,116 S
APPLICATION NO. : 29/746367
DATED : February 8, 2022
INVENTOR(S) : Ege et al.

Page 1 of 2

It is certified that error appears in the above-identified patent and that said Letters Patent is hereby corrected as shown below:

In the Drawings

In FIG. 2, the cross-sectional labeled 15-15 should be replaced with 11-11. A replacement drawing sheet for FIG. 2 is attached herewith.


Signed and Sealed this
Sixteenth Day of January, 2024

Katherine Kelly Vidal
Director of the United States Patent and Trademark Office

FIG. 2

