



US00D943115S

(12) **United States Design Patent** (10) **Patent No.:** **US D943,115 S**  
**Logan et al.** (45) **Date of Patent:** **\*\* Feb. 8, 2022**

(54) **SHED**  
(71) Applicant: **SUNCAST TECHNOLOGIES, LLC**,  
Palm Beach Gardens, FL (US)  
(72) Inventors: **Samuel G. Logan**, Elburn, IL (US);  
**William J. Phillips**, Batavia, IL (US);  
**Stephen Whitehead**, Elgin, IL (US);  
**Torrence Anderson**, Overland Park, KS  
(US)

D478,386 S \* 8/2003 Ohanesian ..... D25/33  
D506,011 S \* 6/2005 Astle ..... D25/59  
D644,338 S \* 8/2011 Thuma ..... D25/33  
D728,822 S \* 5/2015 Ryan ..... D25/15  
D734,494 S \* 7/2015 Steiner ..... D25/33  
D735,353 S \* 7/2015 Kent ..... D25/33  
D804,737 S \* 12/2017 Fisher ..... D30/108  
D869,685 S \* 12/2019 Migeon ..... D25/22  
2015/0101258 A1 \* 4/2015 Milo ..... E04B 1/3505  
52/2.18

(73) Assignee: **Suncast Technologies, LLC**, Palm  
Beach Gardens, FL (US)

FOREIGN PATENT DOCUMENTS

JP D1135257 \* 1/2002

(\*\*) Term: **15 Years**

OTHER PUBLICATIONS

(21) Appl. No.: **29/713,489**

Keter, Artisan 7x7 Duotech, Nov. 22, 2017, Amazon, <https://www.youtube.com/watch?v=LrmTW1-hCN4> (Year: 2017).\*

(22) Filed: **Nov. 15, 2019**

\* cited by examiner

(51) **LOC (13) Cl.** ..... **25-03**

(52) **U.S. Cl.**  
USPC ..... **D25/33**

*Primary Examiner* — Brett Miller  
(74) *Attorney, Agent, or Firm* — McHale & Slavin, P.A.

(58) **Field of Classification Search**  
USPC ..... D25/48.2, 48.3, 33, 16, 59, 22, 15, 17,  
D25/18, 29, 32, 30, 34; D6/663, 667;  
D34/7, 8, 11; D30/108  
CPC ..... E04H 6/005; E04H 1/12; E04H 1/1216;  
E04H 1/1205; E04B 1/34321; E04B  
2001/34389  
See application file for complete search history.

(57) **CLAIM**

The ornamental design for shed, as shown and described.

**DESCRIPTION**

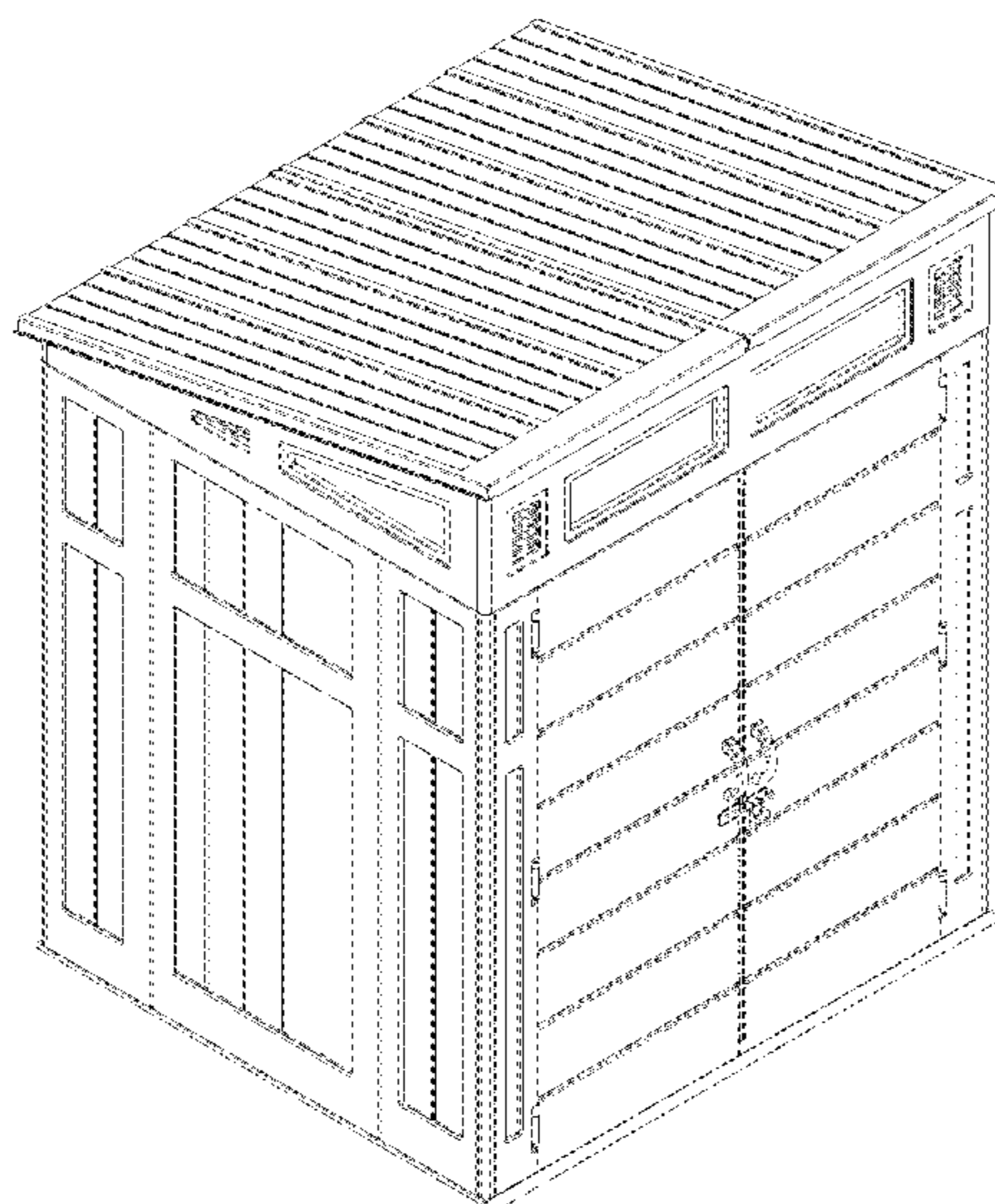
FIG. 1 is a top front left perspective view of the shed of the present invention;  
FIG. 2 is a left side view thereof;  
FIG. 3 is a right side view thereof;  
FIG. 4 is a front view thereof;  
FIG. 5 is a rear view thereof;  
FIG. 6 is a top view thereof;  
FIG. 7 is a top front right perspective view thereof;  
FIG. 8 is a top rear right perspective view thereof; and,  
FIG. 9 is a top rear left perspective view thereof.  
The portions of the shed illustrated in broken lines are not claimed.

(56) **References Cited**

U.S. PATENT DOCUMENTS

1,143,697 A \* 6/1915 Gallant ..... E04B 1/6112  
D25/30  
2,948,364 A \* 8/1960 Cooper ..... E04B 1/34321  
52/282.3  
3,423,766 A \* 1/1969 Eger ..... E03D 11/11  
D25/16  
D245,996 S \* 10/1977 Lukens ..... D25/15  
D293,264 S \* 12/1987 Stevenson ..... D25/16  
D459,002 S \* 6/2002 Ohanesian ..... D25/33

**1 Claim, 9 Drawing Sheets**



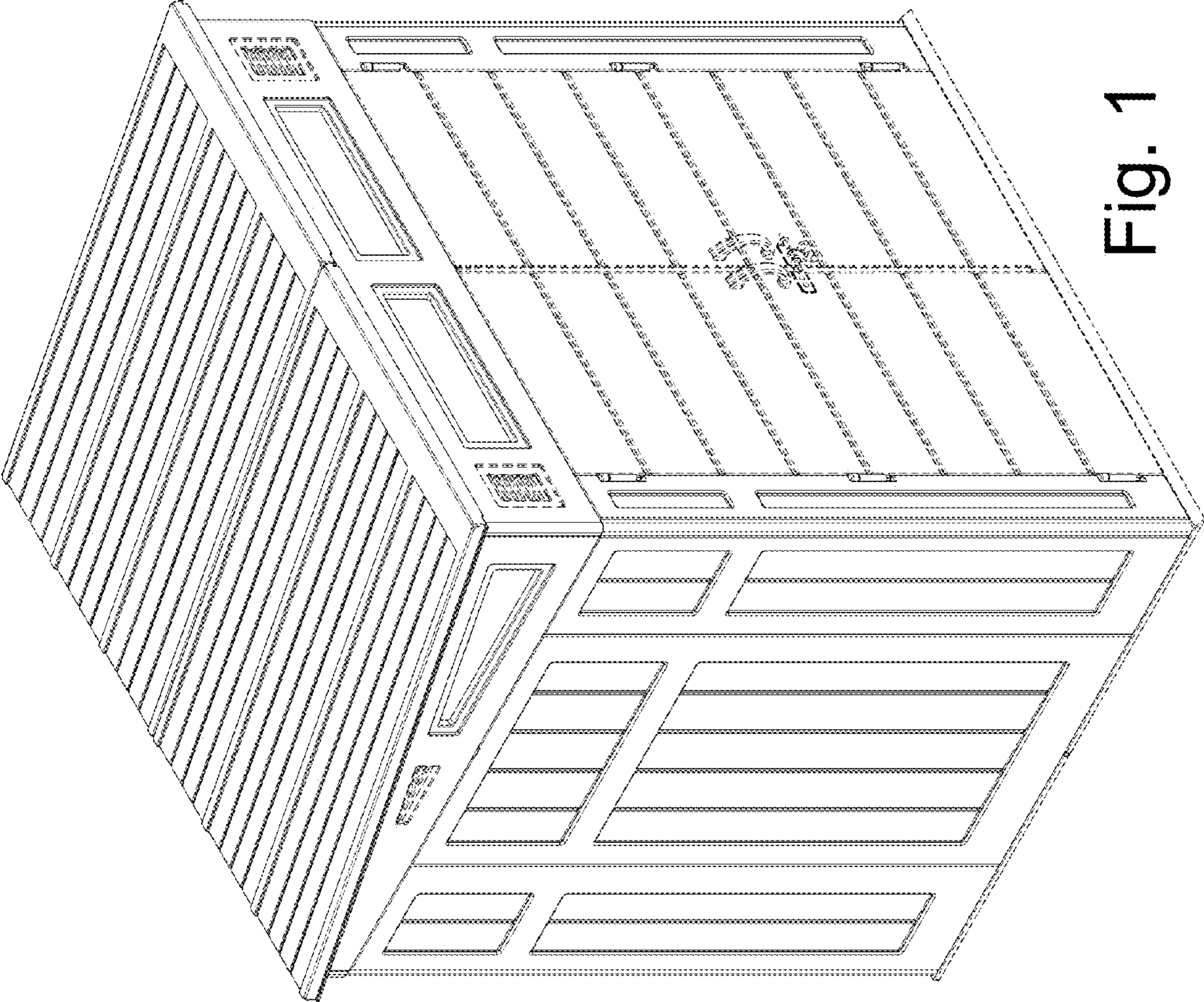


Fig. 1

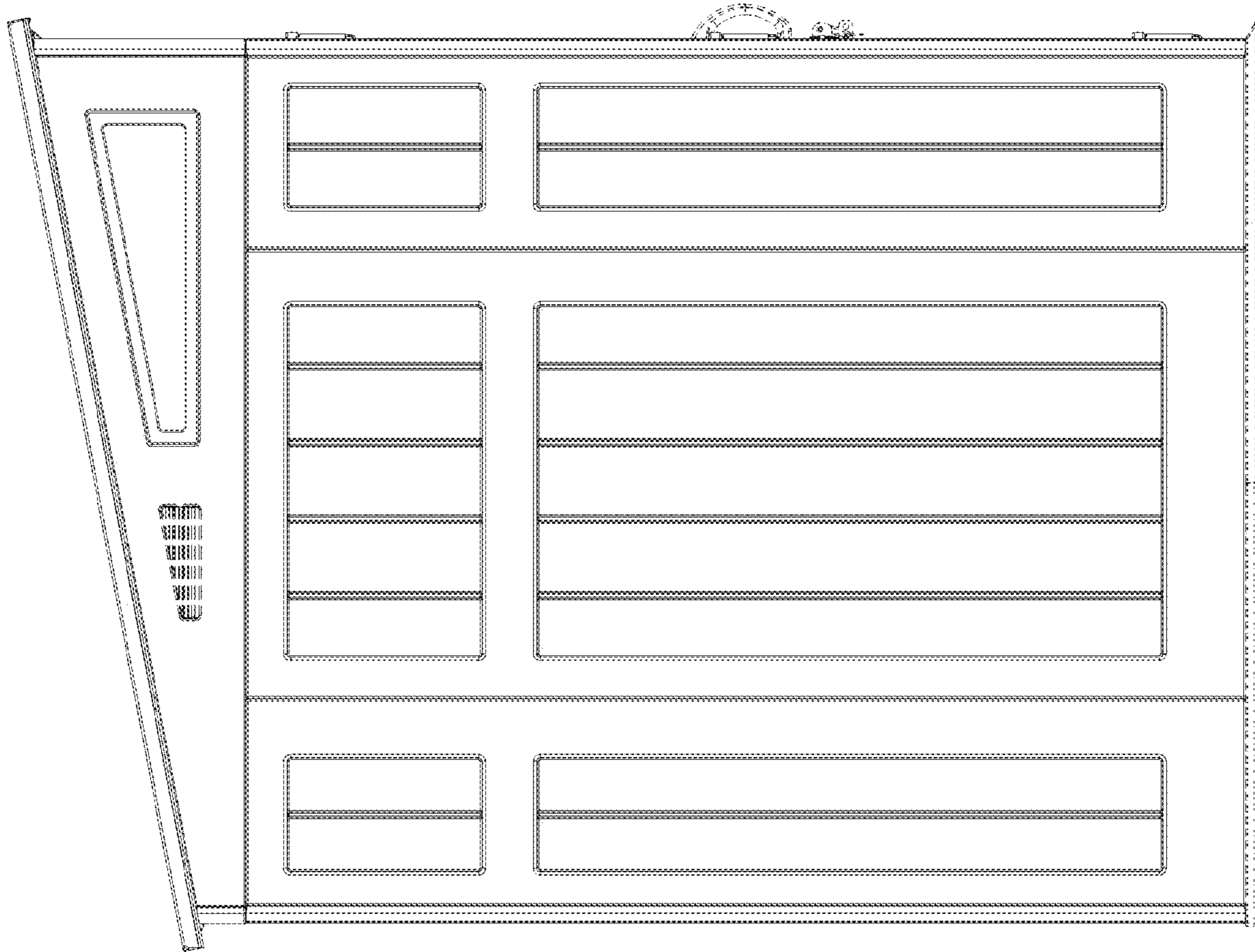
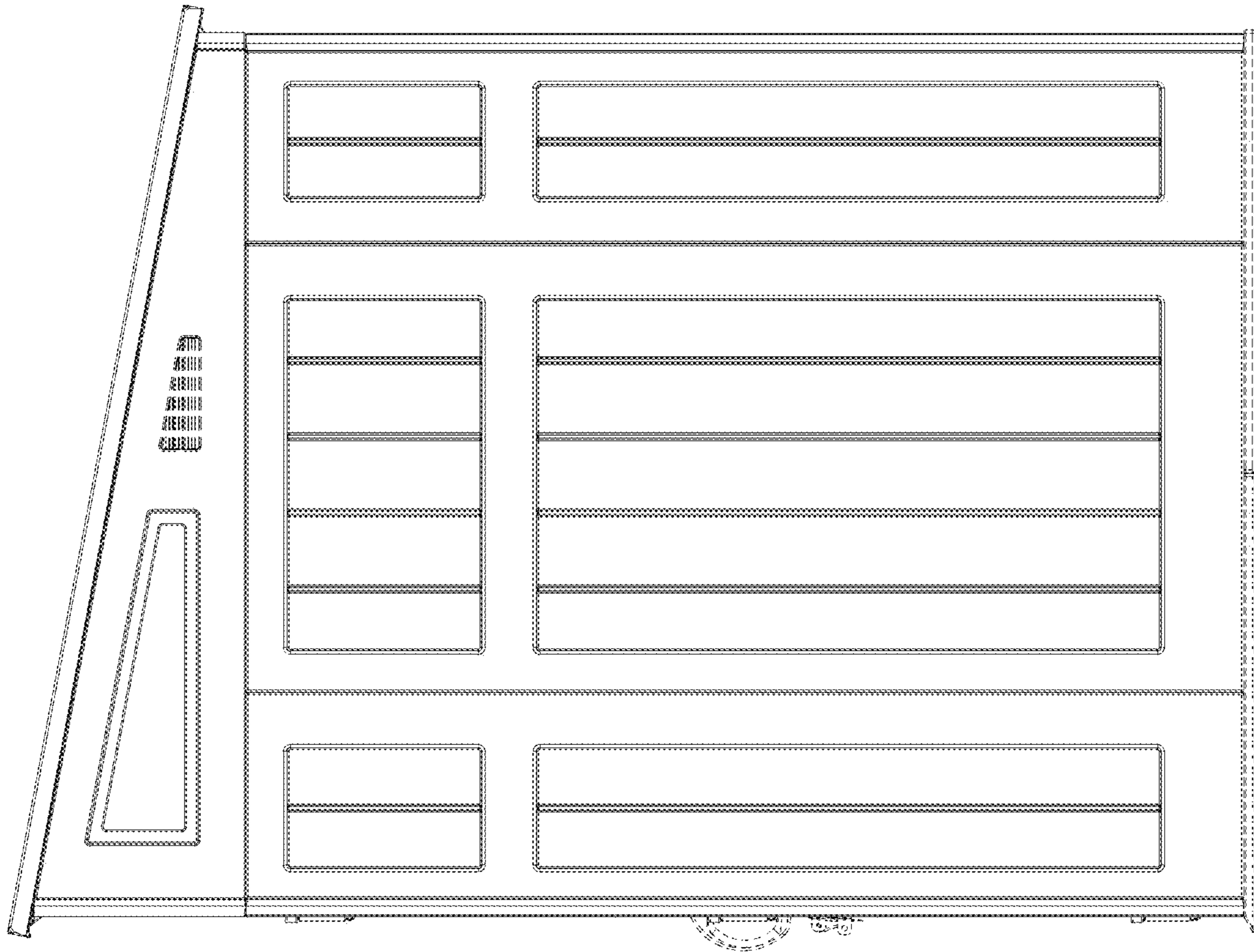


Fig. 2

Fig. 3



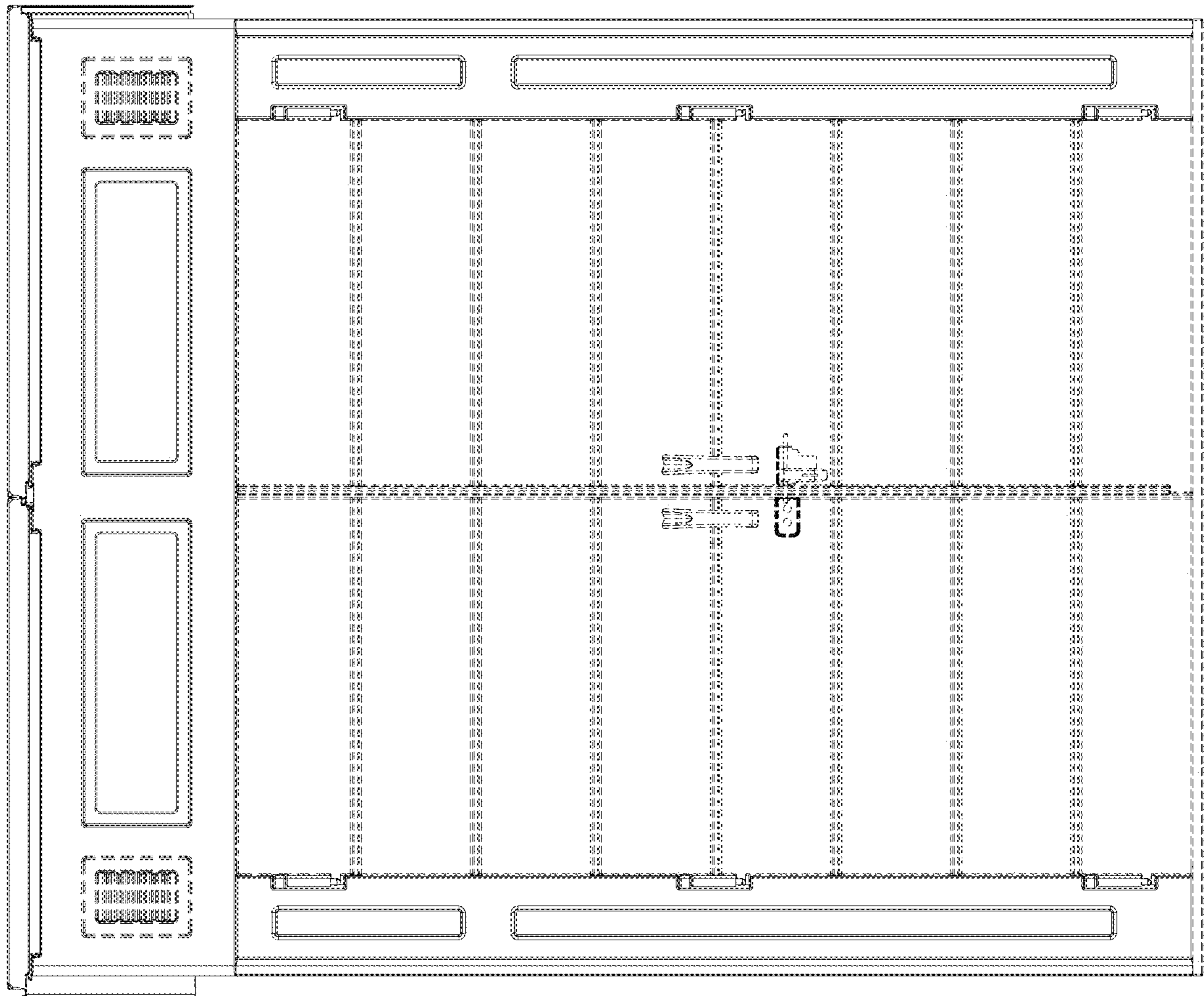


Fig. 4

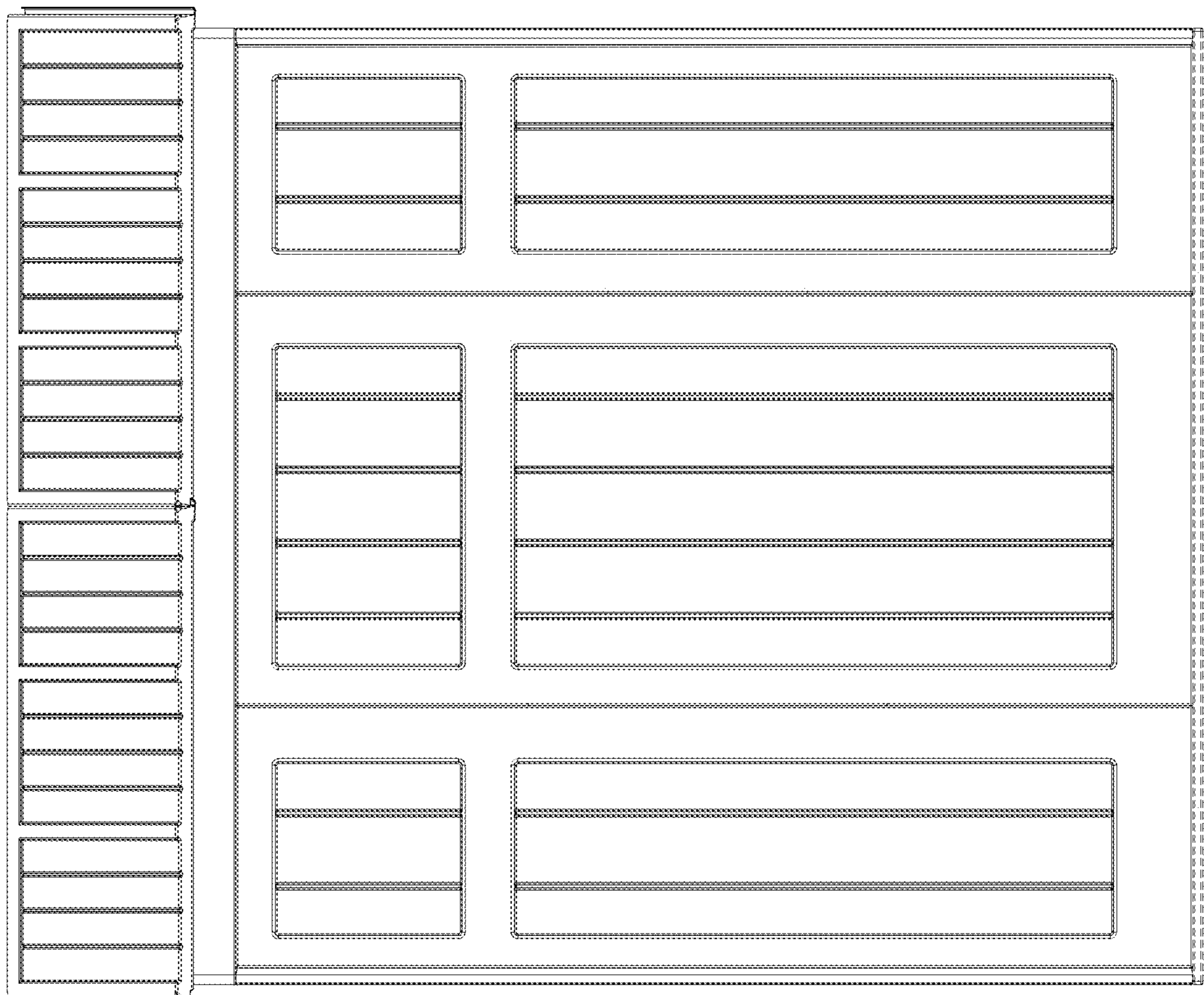
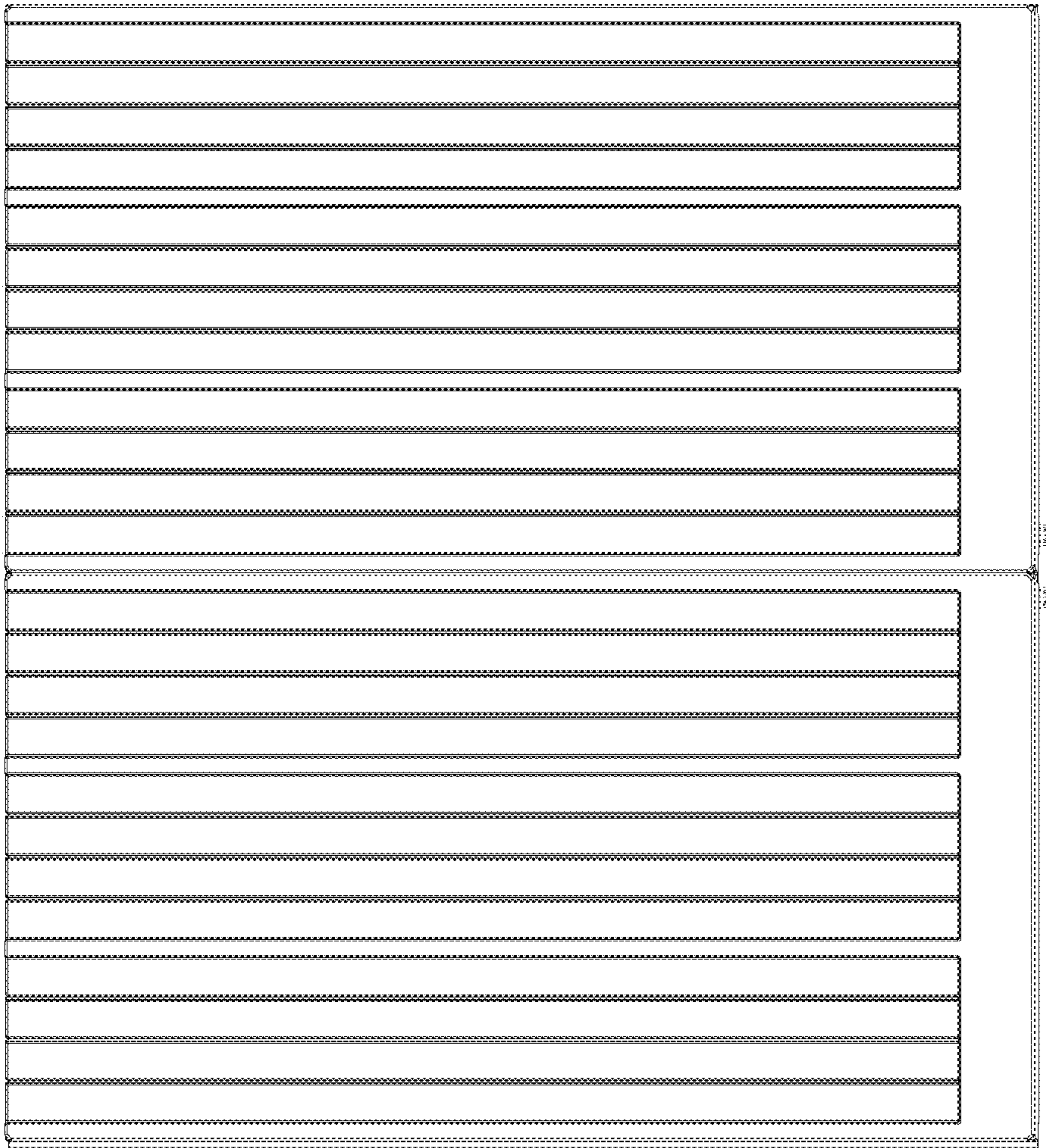


Fig. 5

Fig. 6



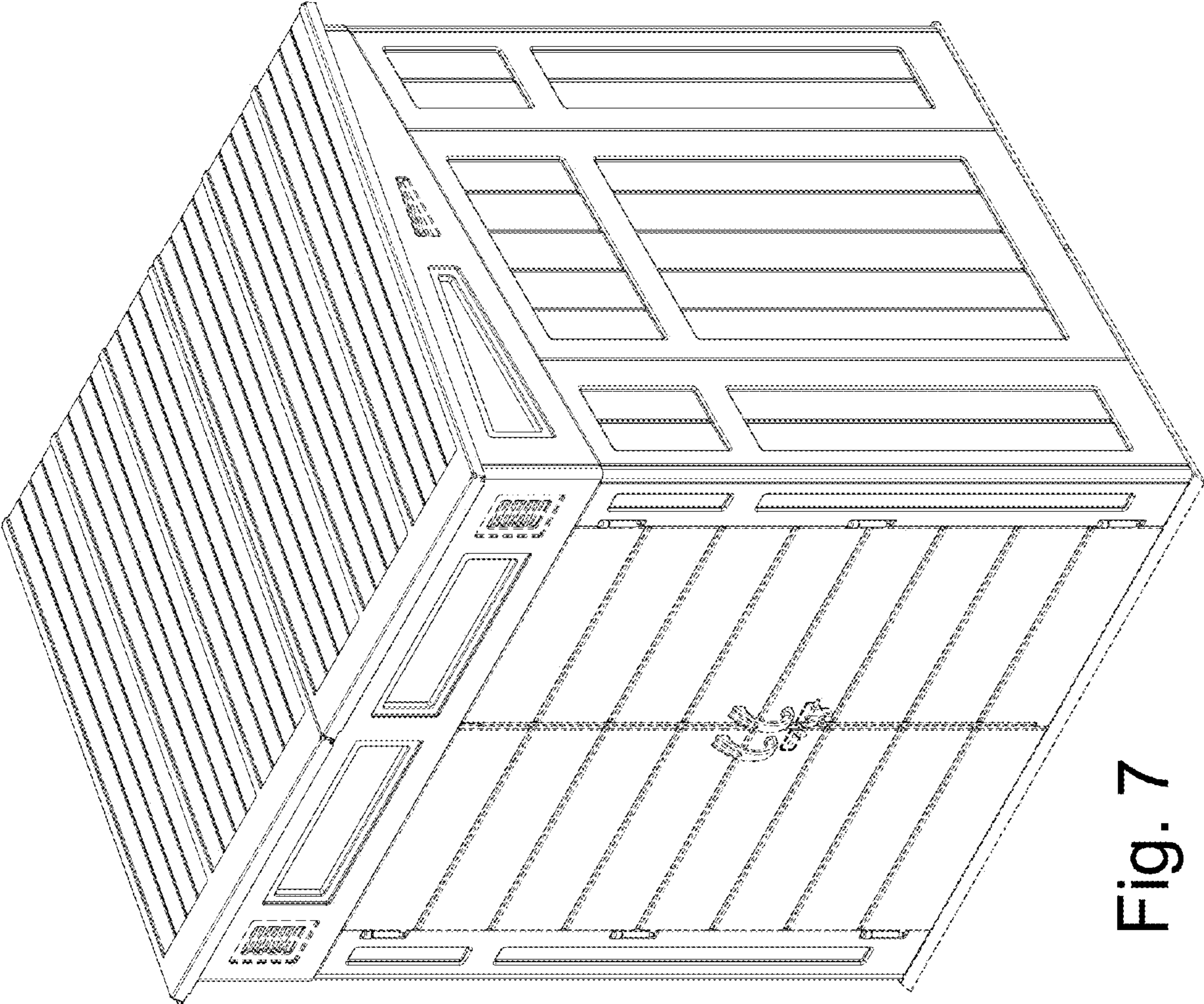


Fig. 7



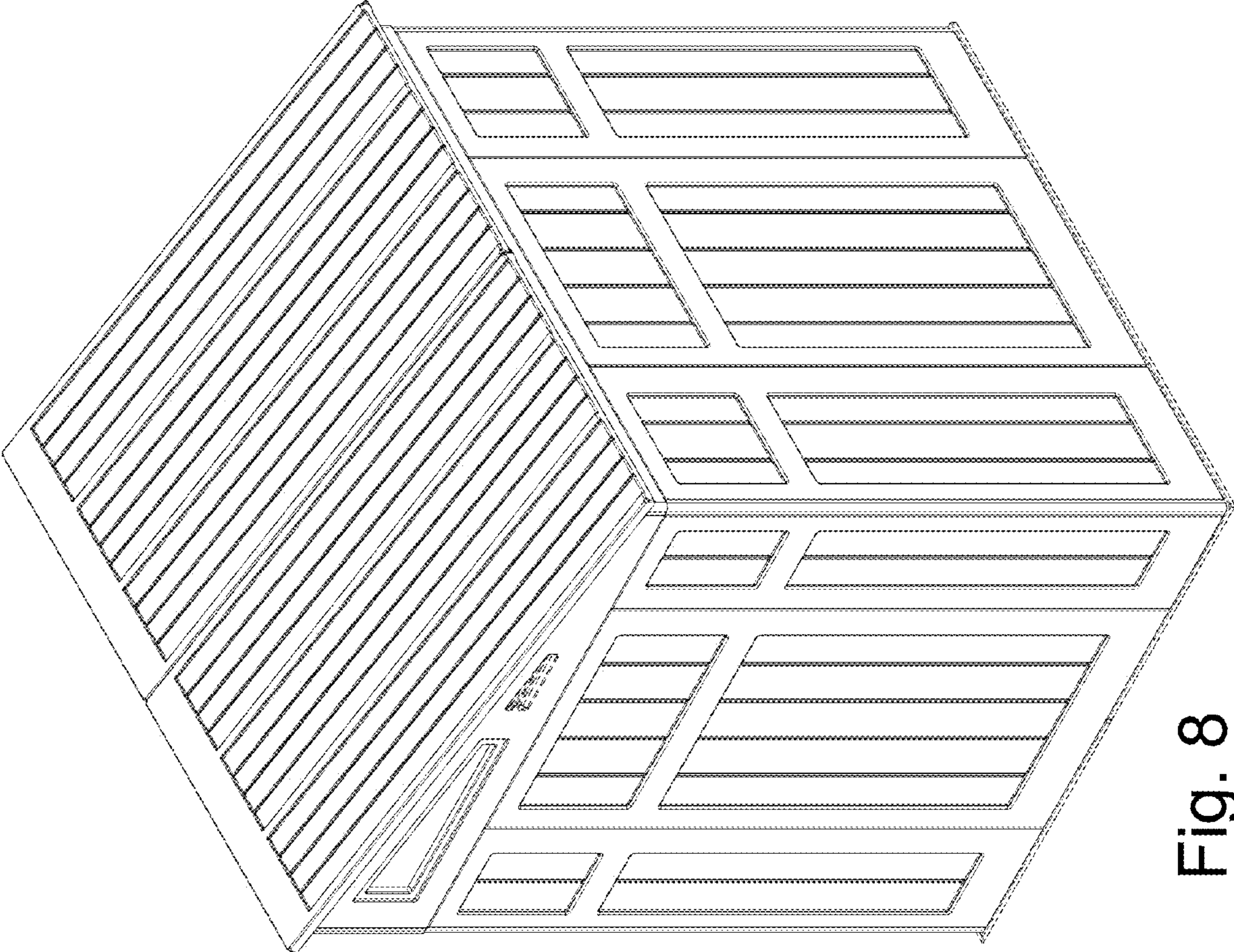


Fig. 8

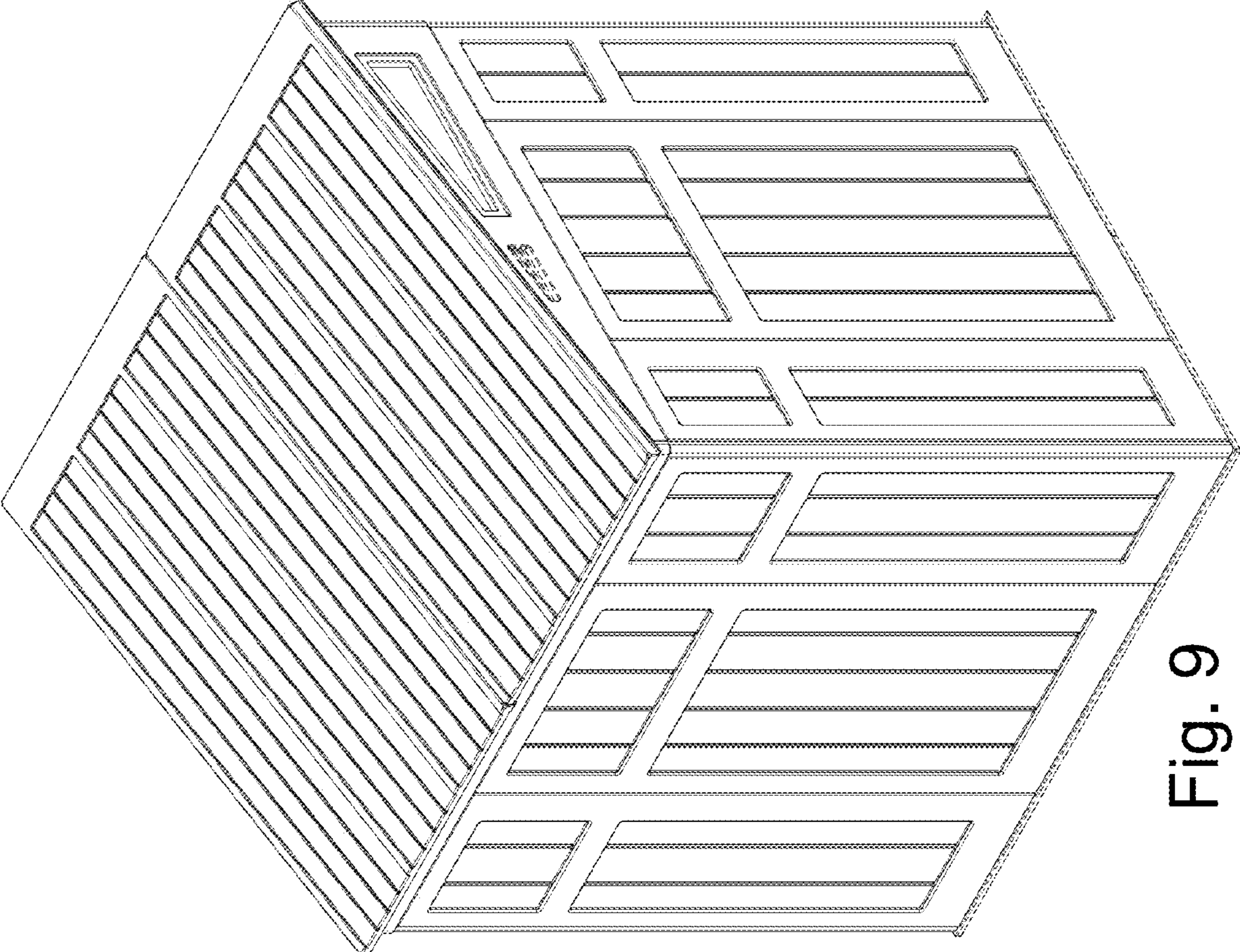


Fig. 9