



US00D943103S

(12) **United States Design Patent** (10) **Patent No.:** **US D943,103 S**
Snider, Sr. (45) **Date of Patent:** **** Feb. 8, 2022**

(54) **KNEEPAD SUPPORTS**

(71) Applicant: **Barry Alan Snider, Sr.**, Arivaca, AZ (US)

(72) Inventor: **Barry Alan Snider, Sr.**, Arivaca, AZ (US)

(**) Term: **15 Years**

(21) Appl. No.: **29/732,253**

(22) Filed: **Apr. 22, 2020**

(51) **LOC (13) Cl.** **24-02**

(52) **U.S. Cl.**
USPC **D24/190**; D2/625; D2/626; D2/640

(58) **Field of Classification Search**
USPC D24/190; D2/625, 626, 640
CPC A41C 3/0028; A41F 1/00; A44B 11/006;
A44C 25/00

See application file for complete search history.

(56) **References Cited**

U.S. PATENT DOCUMENTS

D298,914 S *	12/1988	Thomas	D8/373
4,840,341 A *	6/1989	Hasegawa	A47G 1/21 211/89.01
4,932,905 A *	6/1990	Richards	H01R 11/24 439/822
D314,394 S *	2/1991	Cardwell	D16/243
6,732,983 B1 *	5/2004	Blake	F16L 3/1236 248/74.2
D761,042 S *	7/2016	Whaley	D6/607
D767,248 S *	9/2016	Rogers	D2/624
D784,192 S *	4/2017	Lasater	D11/215
D862,005 S *	10/2019	Gabriele	D30/152
10,441,063 B2 *	10/2019	Pollack	G09F 3/14
10,634,450 B1 *	4/2020	May	F41C 33/001
2001/0052145 A1 *	12/2001	Srivastava	A41F 3/00 2/312

(Continued)

OTHER PUBLICATIONS

JAKAGO 59" Replacement Wide Shoulder Strap, Amazon, [Post date Sep. 6, 2018], [Site seen Oct. 6, 2021], Seen at URL: https://www.amazon.com/JAKAGO-Universal-Adjustable-Replacement-Briefcase/product-reviews/B07D7RJ28L/ref=cm_cr_getr_d_paging_btm_next_3?ie=UTF8&reviewerType=all_reviews&pageNumber=3 (Year: 2018).*

www.amazon.com/JAKAGO-Universal-Adjustable-Replacement-Briefcase/product-reviews/B07D7RJ28L/ref=cm_cr_getr_d_paging_btm_next_3?ie=UTF8&reviewerType=all_reviews&pageNumber=3 (Year: 2018).*

(Continued)

Primary Examiner — Natasha Vujcic
Assistant Examiner — Gilbert B Ford

(57) **CLAIM**

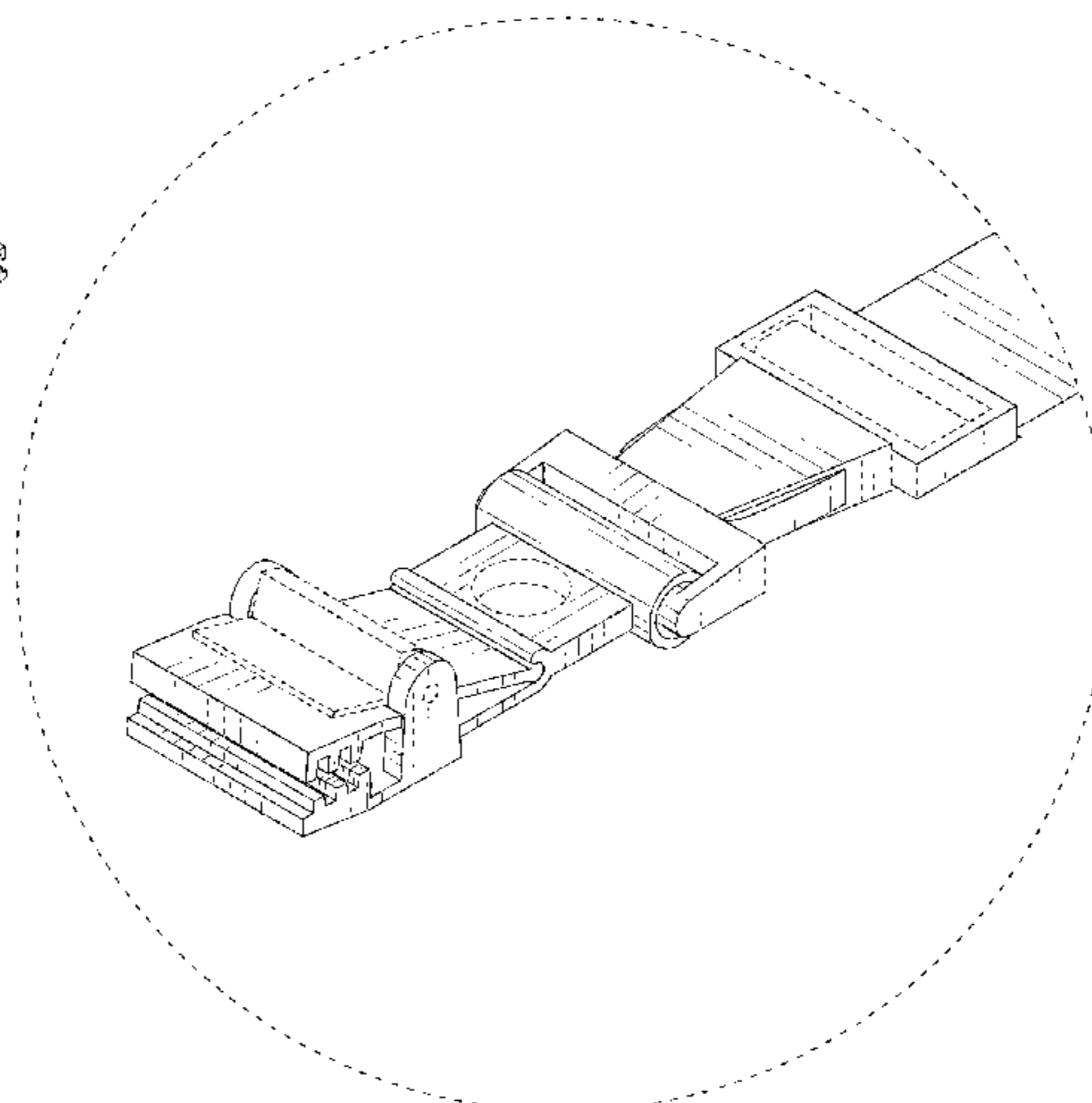
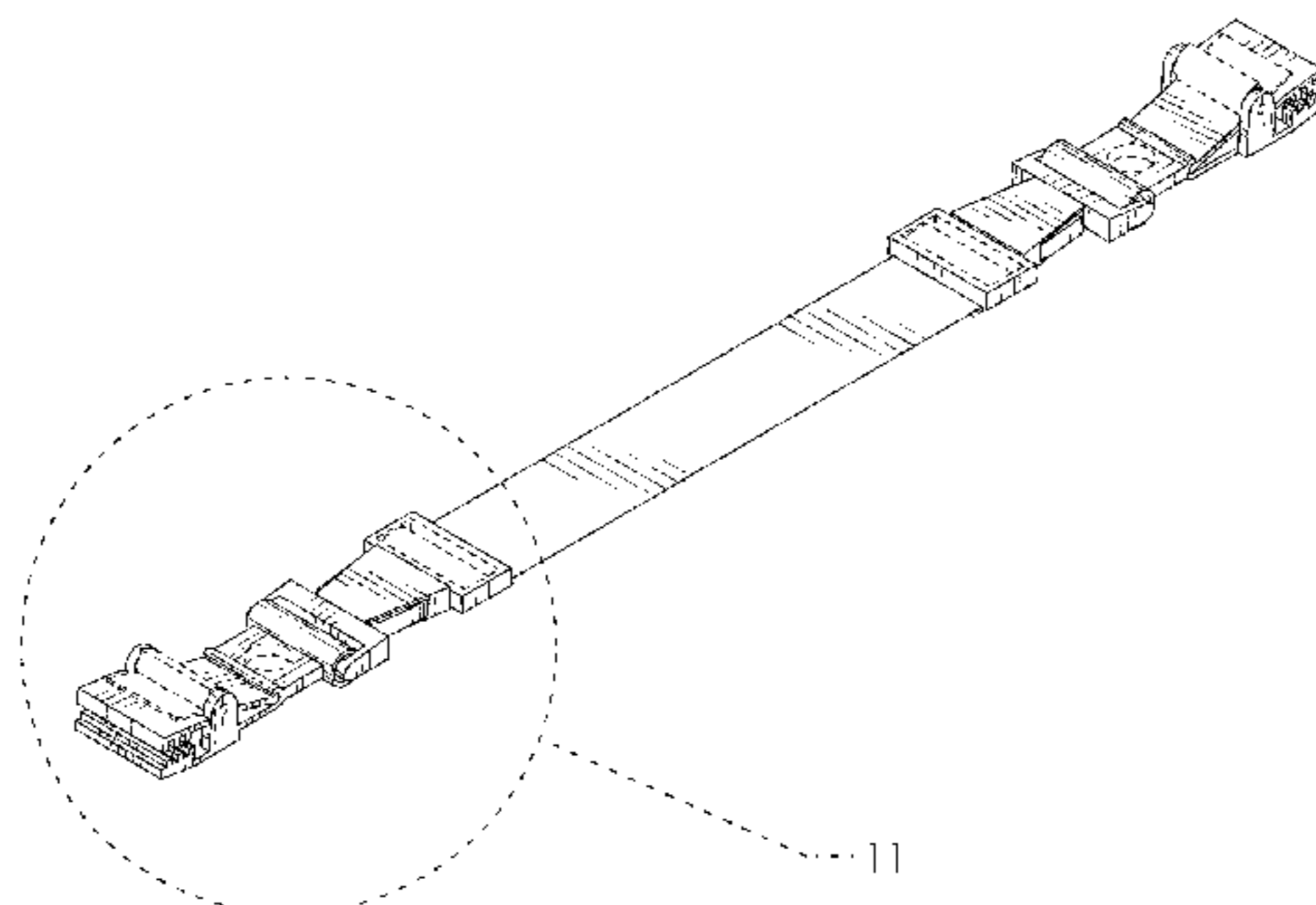
The ornamental design for kneepad supports, as shown and described.

DESCRIPTION

FIG. 1 is a top perspective view of kneepad supports showing my new design;
FIG. 2 is a bottom perspective view thereof;
FIG. 3 is an enlarged front elevated view thereof;
FIG. 4 is an enlarged rear elevated view thereof;
FIG. 5 is a top plan view thereof;
FIG. 6 is a bottom plan view thereof;
FIG. 7 is a right elevated view thereof;
FIG. 8 is a left elevated view thereof;
FIG. 9 is a top perspective view thereof, showing the kneepad supports in a closed configuration;
FIG. 10 is a bottom perspective view thereof, showing the kneepad supports in the closed configuration;
FIG. 11 is a magnified view of the clip assembly shown in FIG. 1; and,
FIG. 12 is a magnified view of the clip assembly shown in FIG. 2.

The broken lines showing of orifices in FIGS. 1-2, 5-6, and 9-12, the broken lines showing of a locking lever in FIGS. 1-5 and 7-12, and the broken lines showing of a strap adjuster in FIGS. 1-2, 5-6, and 9-12 are included for the purpose of showing environmental structure and form no part of the claimed design.

1 Claim, 12 Drawing Sheets



(56)

References Cited

U.S. PATENT DOCUMENTS

2003/0126725 A1* 7/2003 Housley A47G 25/485
24/510
2004/0020240 A1* 2/2004 Brancato A44C 11/007
63/3
2007/0142785 A1* 6/2007 Lundgaard H02G 3/32
604/179
2008/0104805 A1* 5/2008 Cameron F16B 21/088
24/346
2008/0115248 A1* 5/2008 Meadows A41D 13/065
2/22
2015/0079811 A1* 3/2015 Yi H01R 11/24
439/38
2015/0082581 A1* 3/2015 Thomas A41F 3/02
24/344
2018/0235288 A1* 8/2018 Samson A41C 3/124
2020/0170312 A1* 6/2020 Iitondo A44B 11/006

OTHER PUBLICATIONS

Korlon 4 Pack Adjustable Heavy Duty Bed Sheet Clips, Amazon, [Post date Jun. 4, 2016], [Site Seen Oct. 6, 2021], Seen at URL: https://www.amazon.com/Korlon-Adjustable-Grippers-Suspenders-Fasteners/dp/B01GKRDA5S/ref=asc_df_B01GKRDA5S/?tag=hyprod-20&linkCod%2%80%A6 (Year: 2016).*

Suspender Knee pads, Masonmitch, Youtube, [Post date May 5, 2009}, [Site seen Oct. 6, 2021], Seen at URL: <https://www.youtube.com/watch?v=OWCXmjUqK-w> (Year: 2009).*

* cited by examiner

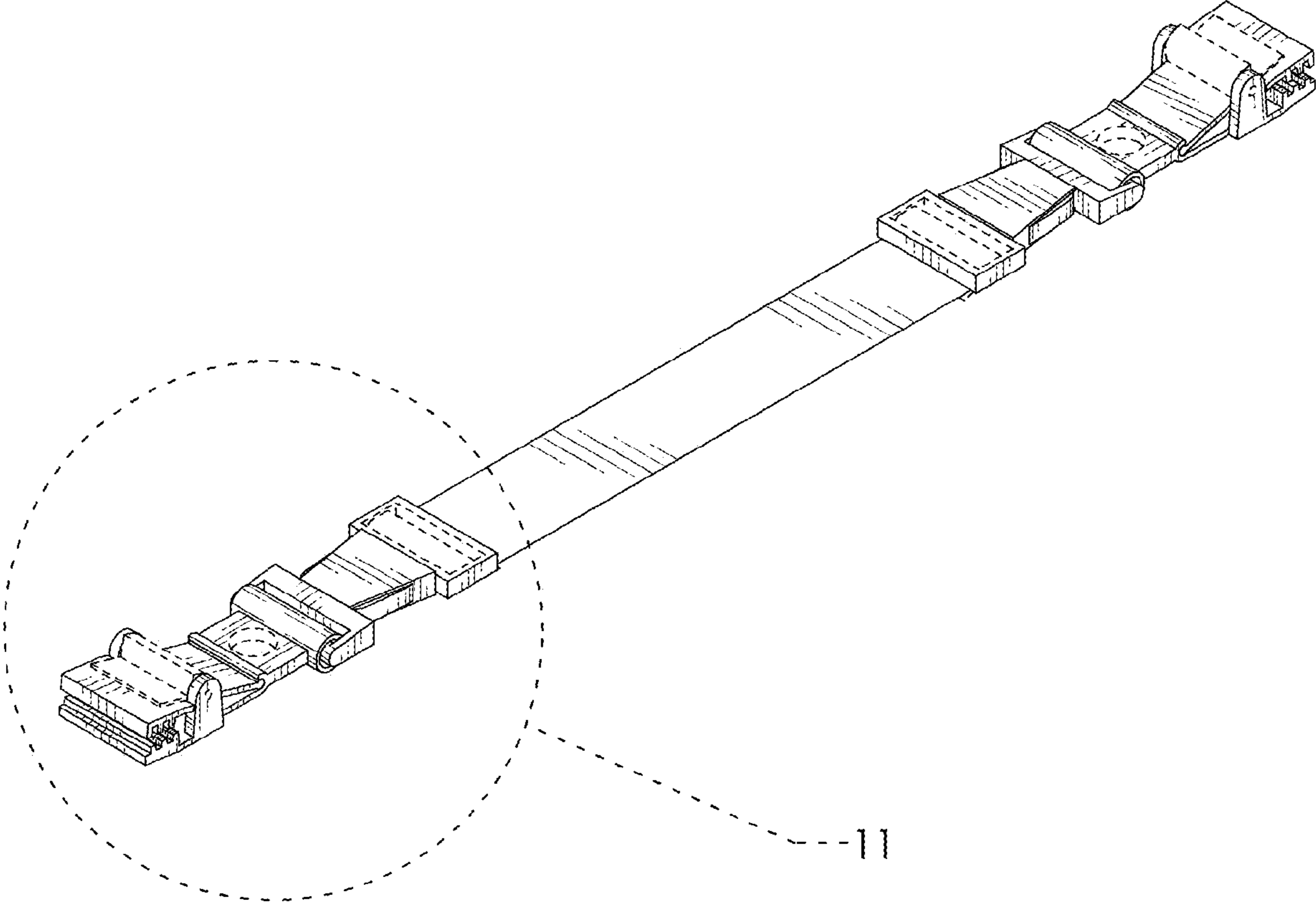


FIG. 1

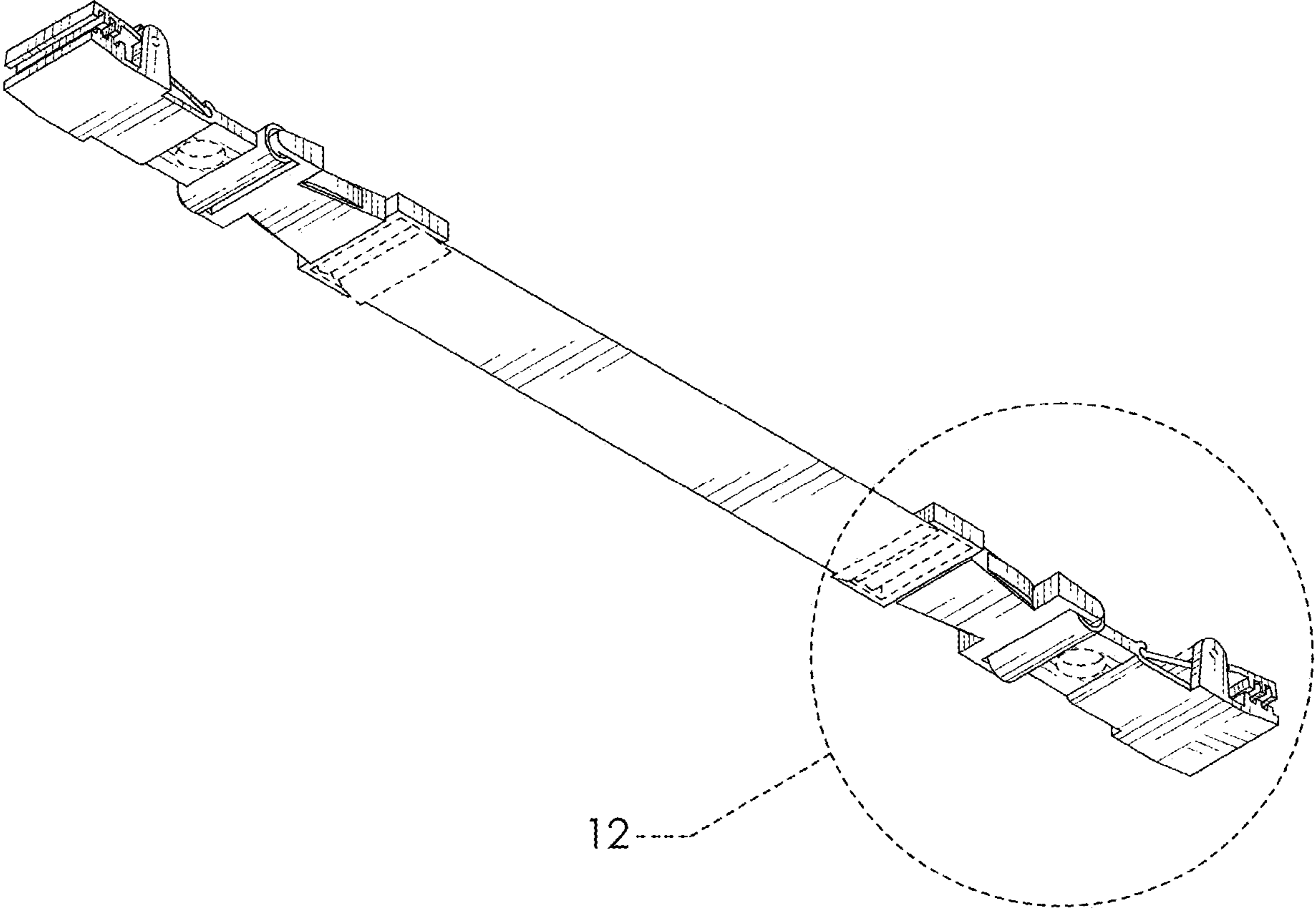


FIG. 2

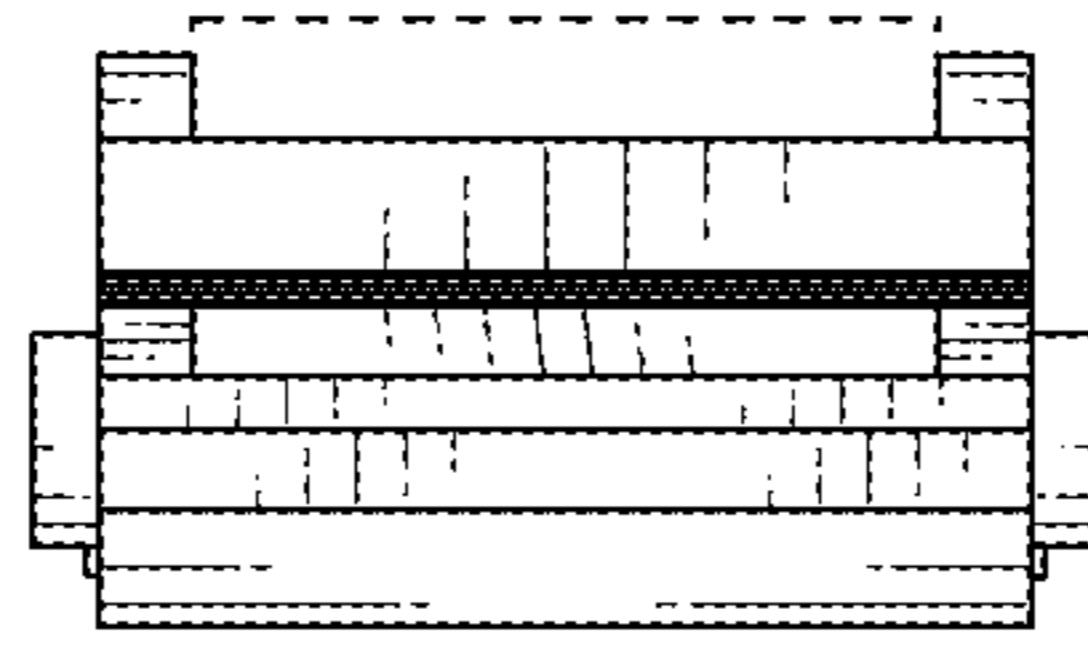


FIG. 3

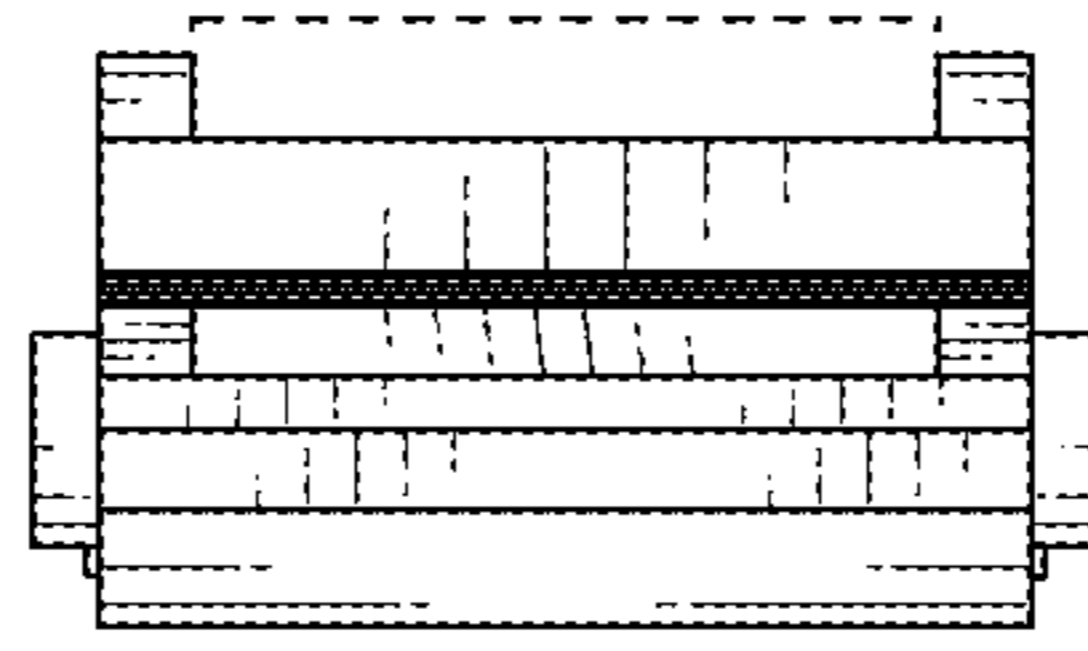


FIG. 4

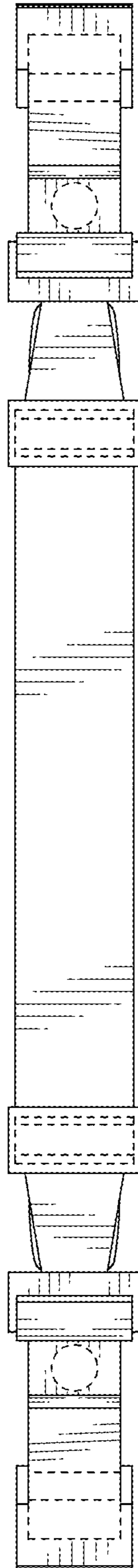


FIG. 5

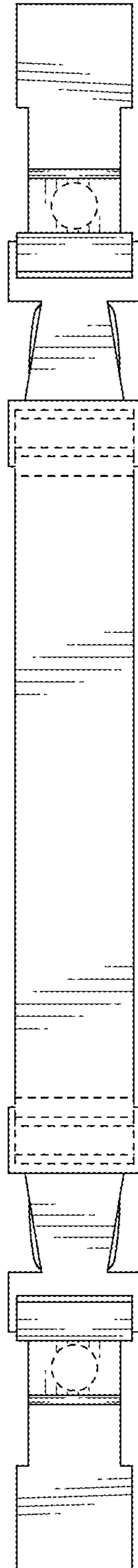


FIG. 6



FIG. 7



FIG. 8

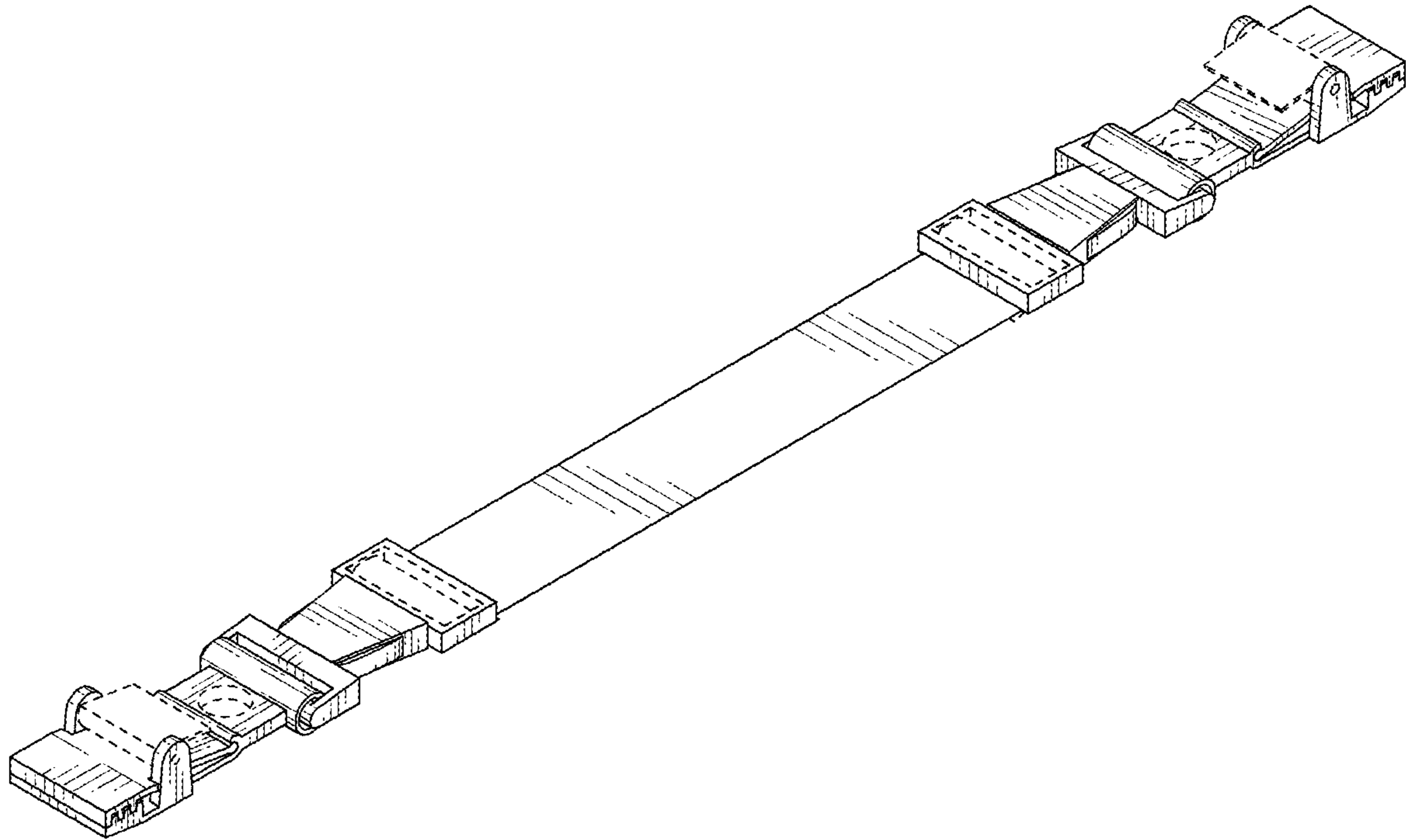


FIG. 9

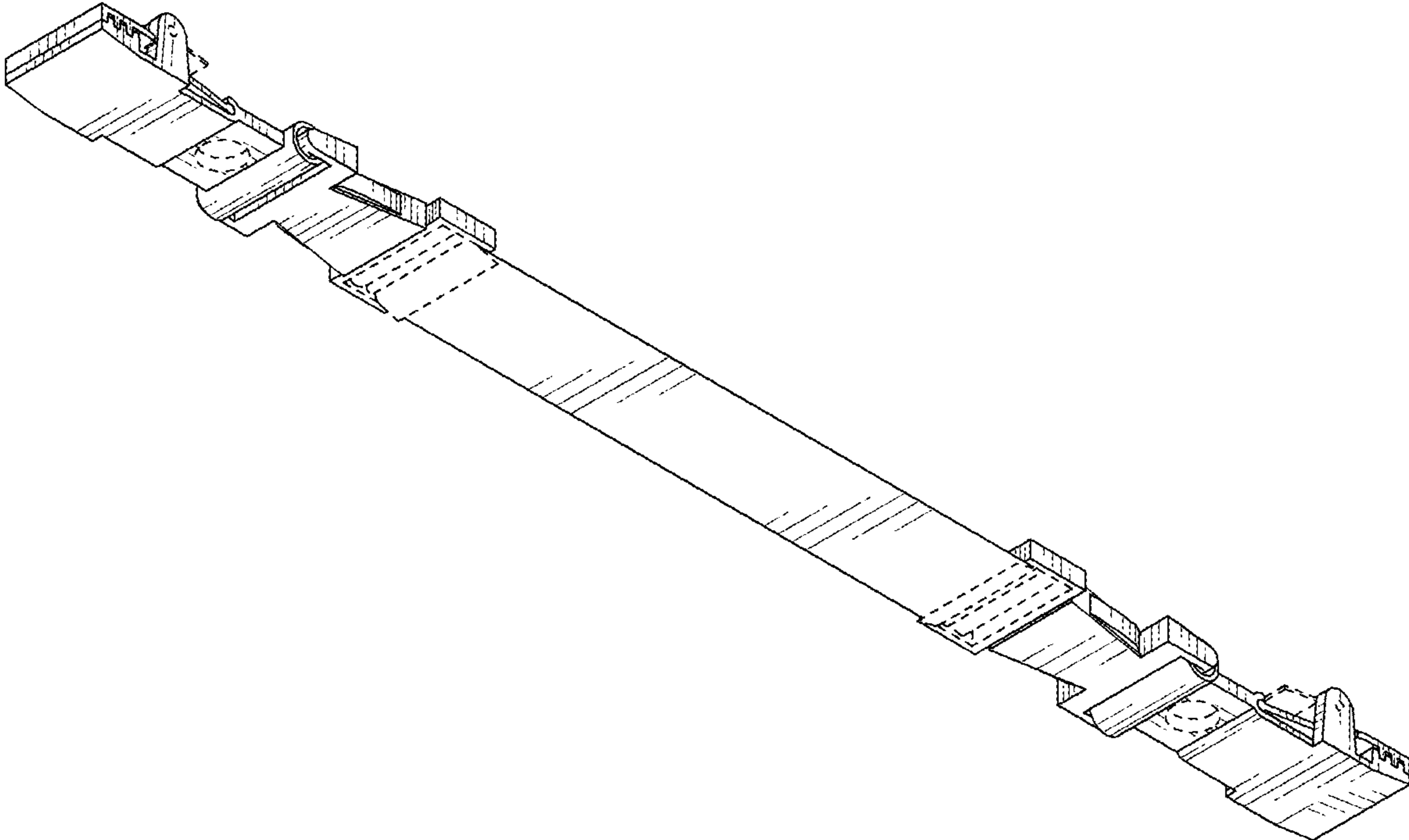


FIG. 10

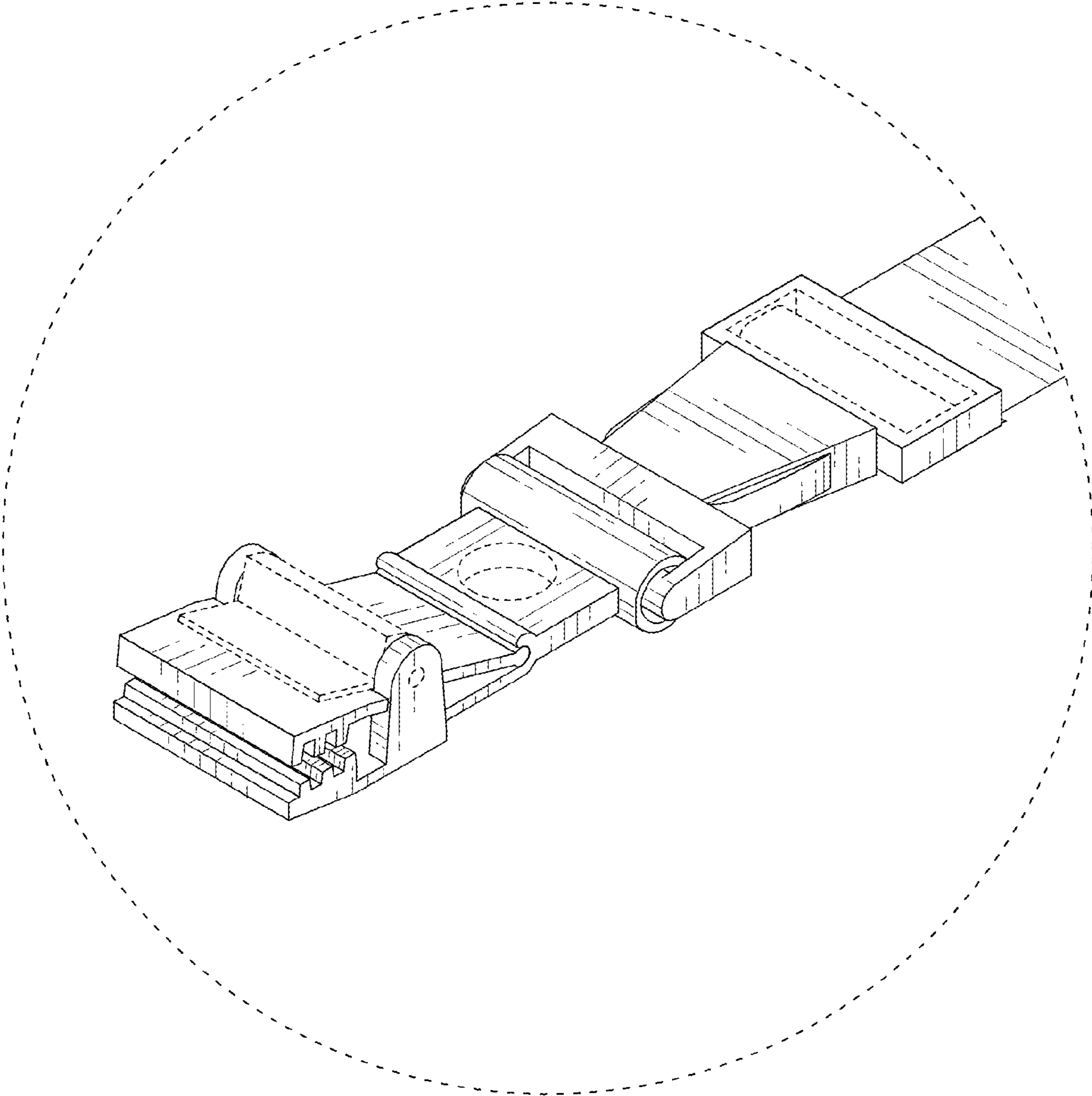


FIG. 11

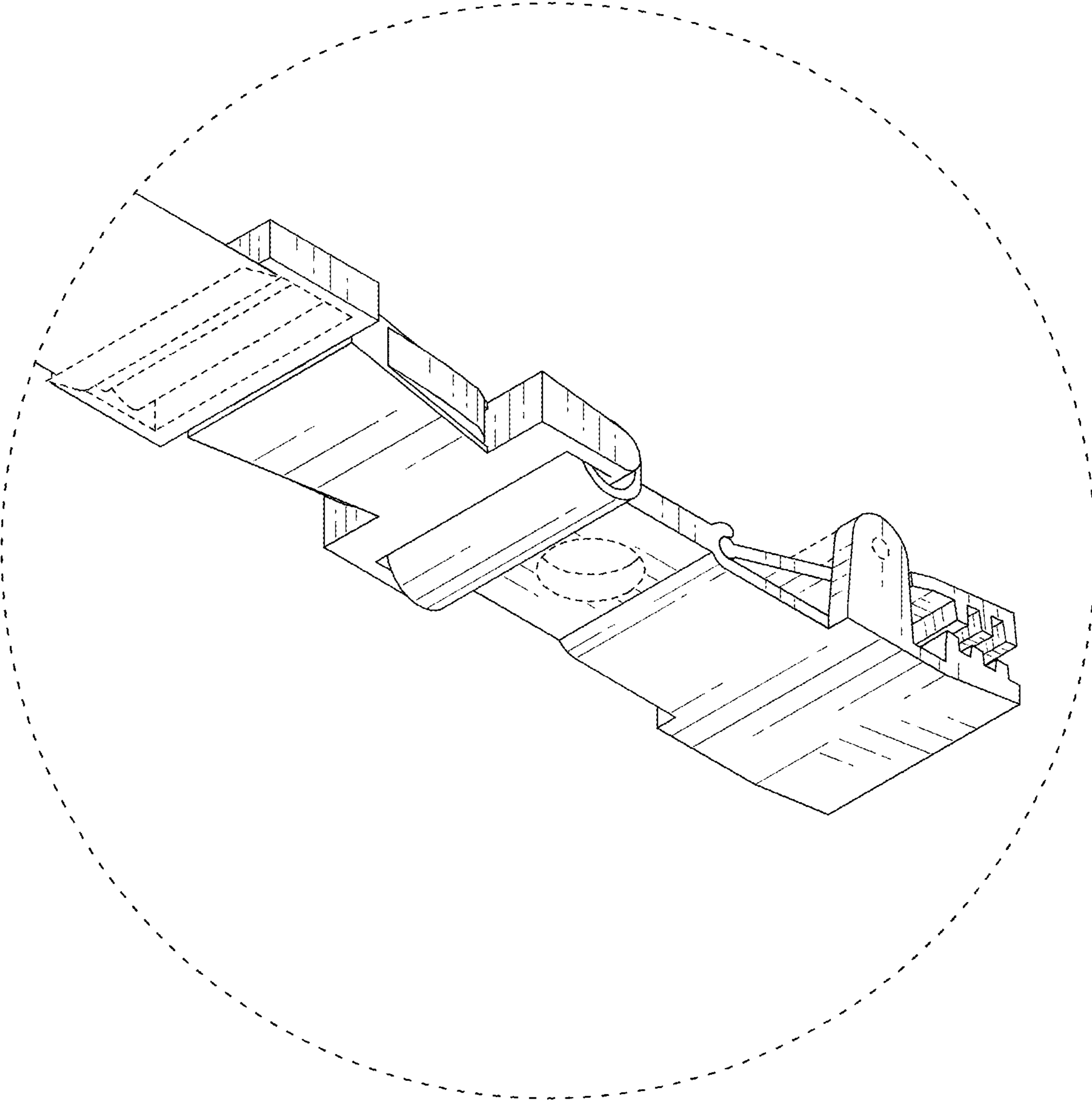


FIG. 12