



US00D943101S

(12) **United States Design Patent**
Takahashi

(10) **Patent No.:** **US D943,101 S**
(45) **Date of Patent:** **** Feb. 8, 2022**

- (54) **X-RAY IRRADIATION APPARATUS**
- (71) Applicant: **FUJIFILM Corporation**, Tokyo (JP)
- (72) Inventor: **Keiichiro Takahashi**,
Ashigarakami-gun (JP)
- (73) Assignee: **FUJIFILM Corporation**, Tokyo (JP)
- (**) Term: **15 Years**
- (21) Appl. No.: **29/722,364**
- (22) Filed: **Jan. 29, 2020**

Related U.S. Application Data

- (62) Division of application No. 29/665,286, filed on Oct. 2, 2018, now Pat. No. Des. 888,247.

Foreign Application Priority Data

Apr. 3, 2018 (JP) 2018-007341

- (51) **LOC (13) Cl.** **24-01**

- (52) **U.S. Cl.**
USPC **D24/158**

(58) **Field of Classification Search**

USPC D24/107, 158–161, 185, 186, 231;
D16/200, 202, 206, 208, 219; D21/484,
D21/499, 500
CPC A61B 6/08; A61B 6/4405; A61B 6/4411;
A61B 6/467; A61B 6/542; H01J 35/02;
H05G 1/06; G21K 1/04
See application file for complete search history.

(56) **References Cited**

U.S. PATENT DOCUMENTS

- 3,822,569 A * 7/1974 Lautrup-Larsen A63H 33/04
446/85
- D332,643 S * 1/1993 Knudsen D21/484

- D370,700 S * 6/1996 Henrichsen D21/500
- D681,814 S 5/2013 Nenoki
- D702,351 S 4/2014 Li et al.
- D703,322 S 4/2014 Hayman et al.
- D745,165 S 12/2015 McGinley
- D746,433 S 12/2015 Smith et al.
- D772,815 S 11/2016 Chen et al.
- D815,605 S 4/2018 Yoneda
- 10,340,053 B2 7/2019 Kawahara et al.
- D888,247 S * 6/2020 Takahashi D24/158
- 2016/0287194 A1 10/2016 Nariyuki et al.

(Continued)

FOREIGN PATENT DOCUMENTS

JP 2018175348 A 11/2018

Primary Examiner — Anhdao Doan

(74) *Attorney, Agent, or Firm* — Sughrue Mion, PLLC

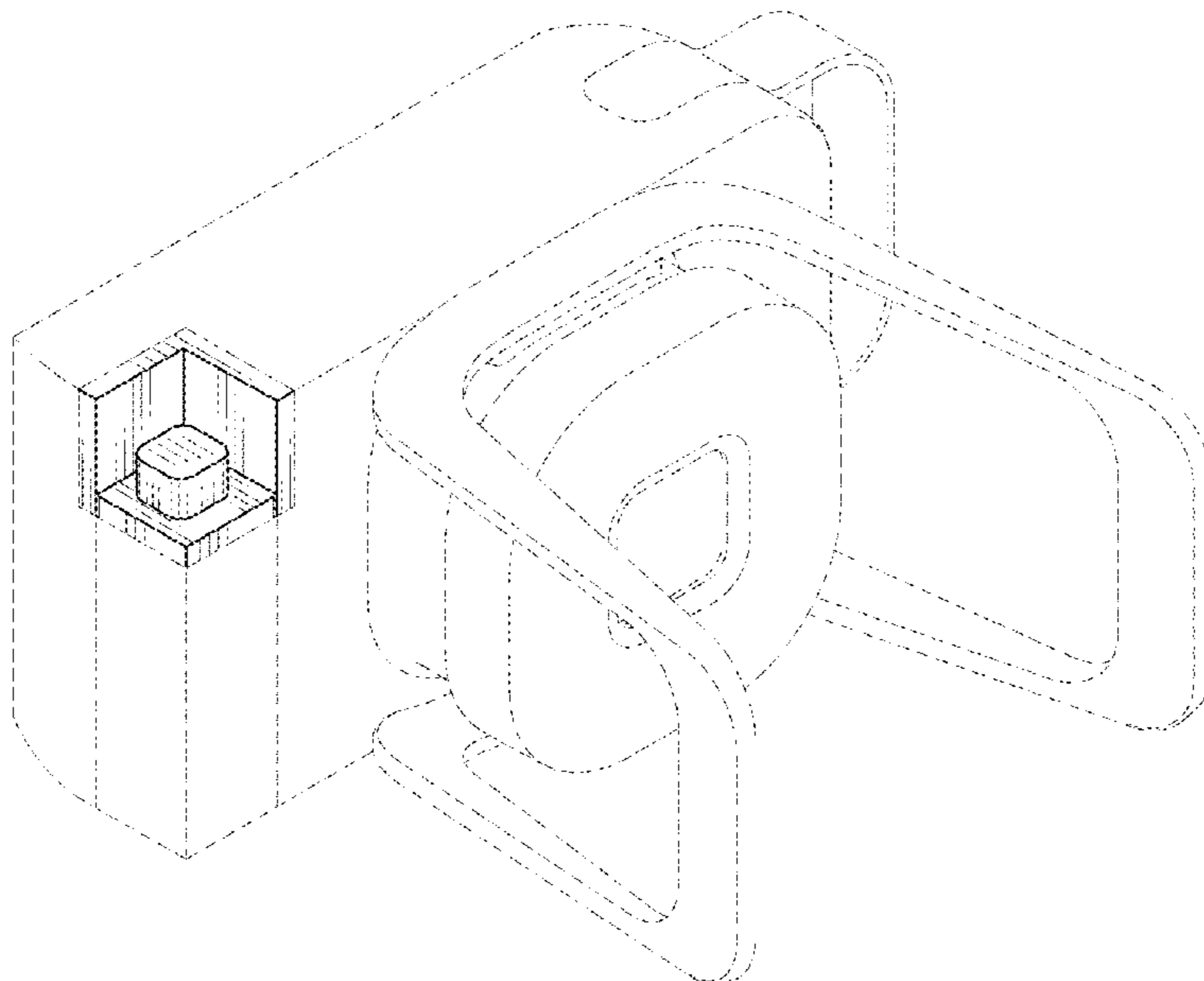
(57) **CLAIM**

The ornamental design for an X-ray irradiation apparatus, as shown and described.

DESCRIPTION

FIG. 1 is a top, front and left side perspective view of an X-ray irradiation apparatus showing my new design; FIG. 2 is a top, rear and right side perspective view thereof; FIG. 3 is a front elevational view thereof; FIG. 4 is a rear elevational view thereof; FIG. 5 is a top plan view thereof; FIG. 6 is a bottom plan view thereof; FIG. 7 is a left side elevational view thereof; and, FIG. 8 is a right side elevational view thereof. The broken lines showing the portions of the X-ray irradiation apparatus in all views shown represent unclaimed subject matter and form no part of the claimed design. The dash-dot broken lines in FIGS. 1 to 3, 5, and 7 define the bounds of the claimed design and form no part thereof.

1 Claim, 8 Drawing Sheets



(56)

References Cited

U.S. PATENT DOCUMENTS

2017/0108775 A1 4/2017 Hatakeyama et al.
2018/0301235 A1 11/2018 Kawahara et al.

* cited by examiner

FIG.1

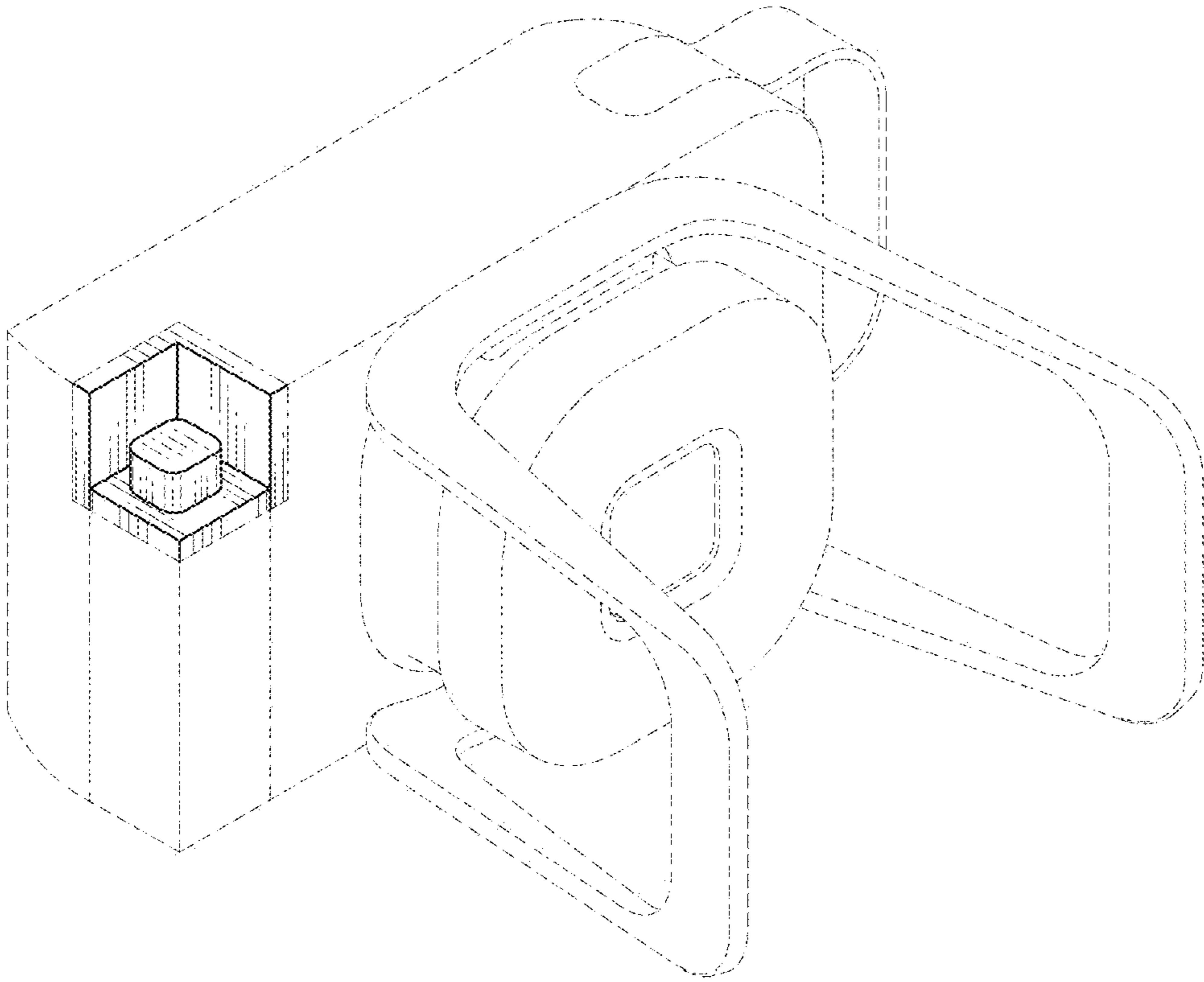


FIG. 2

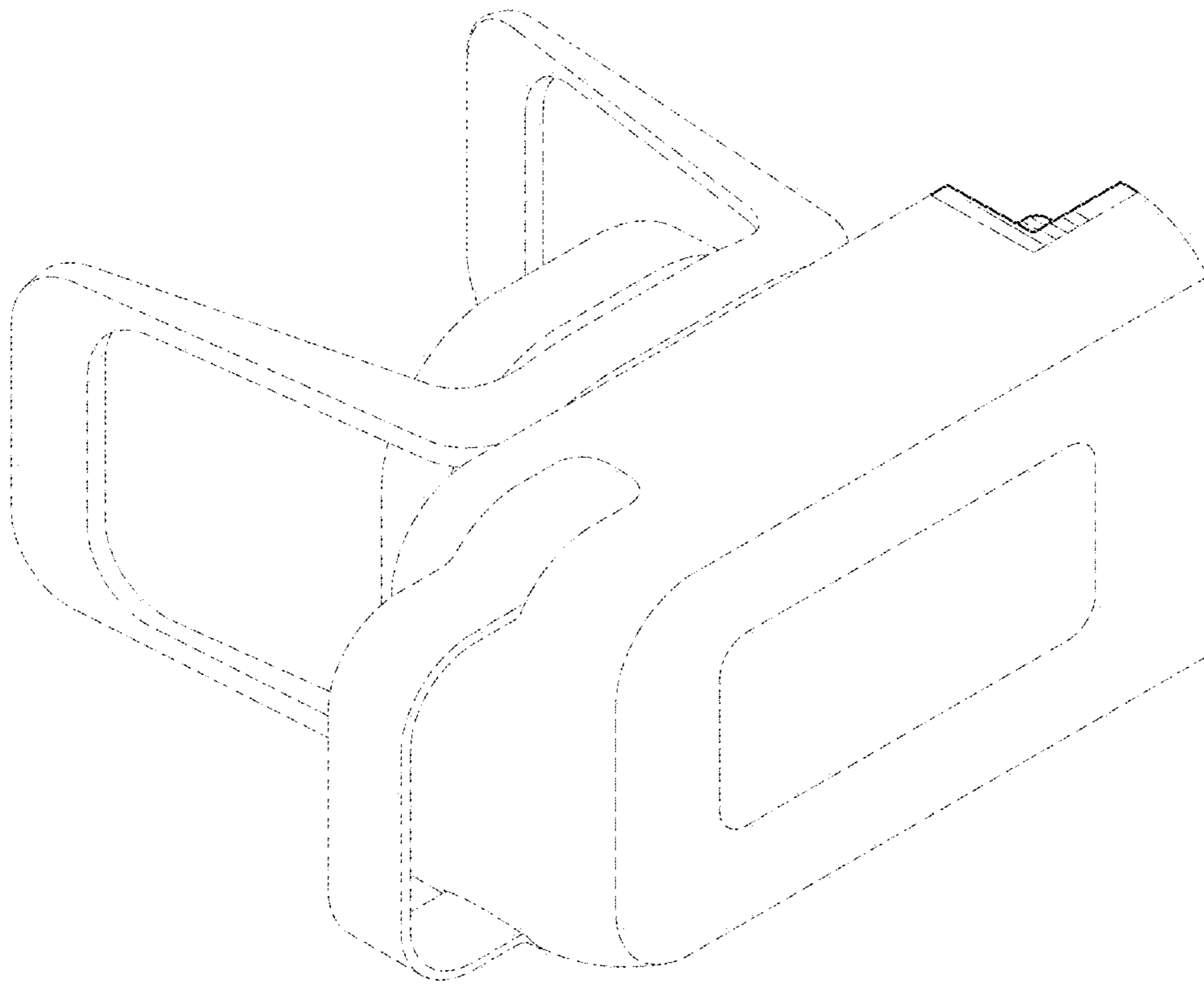


FIG.3

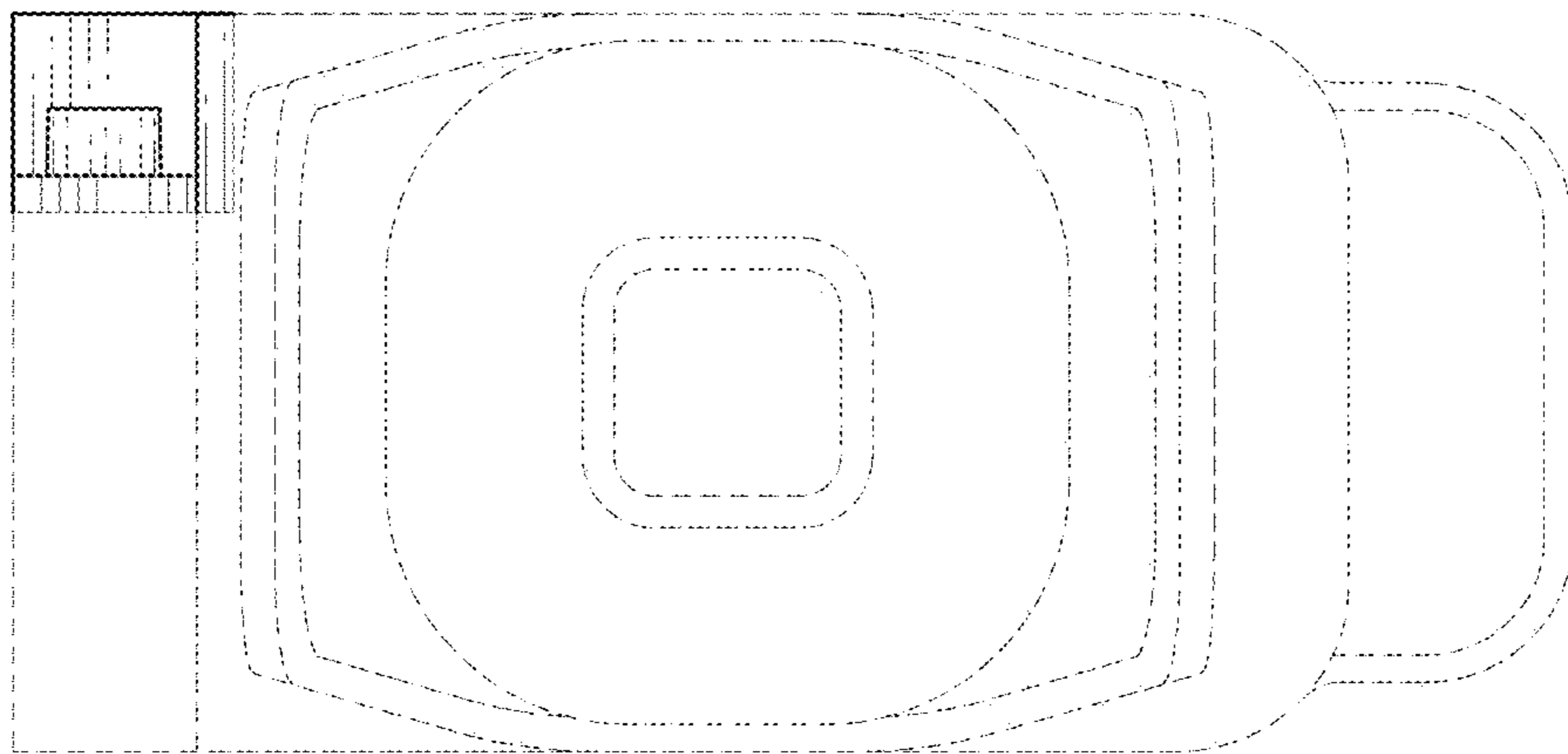


FIG. 4

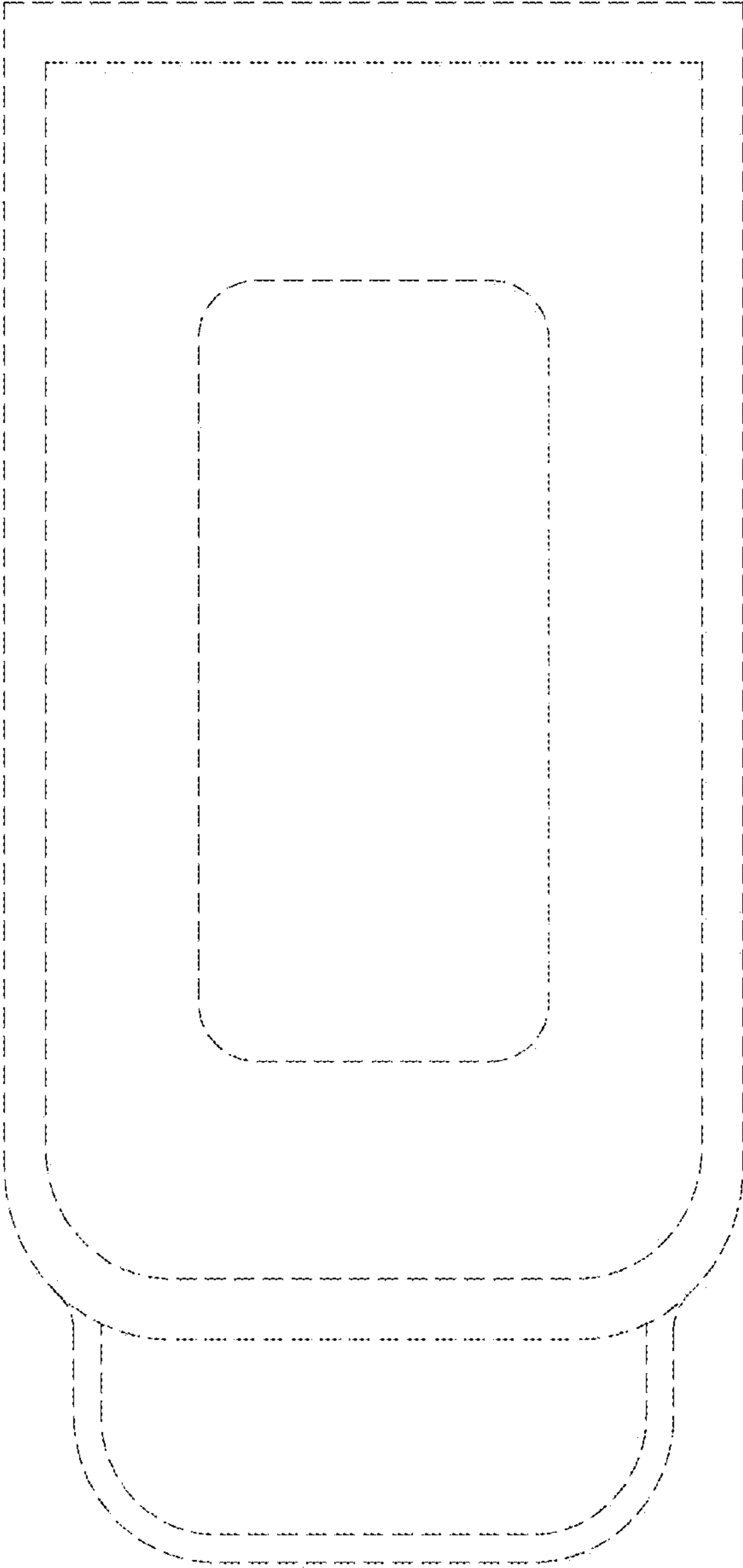


FIG. 5

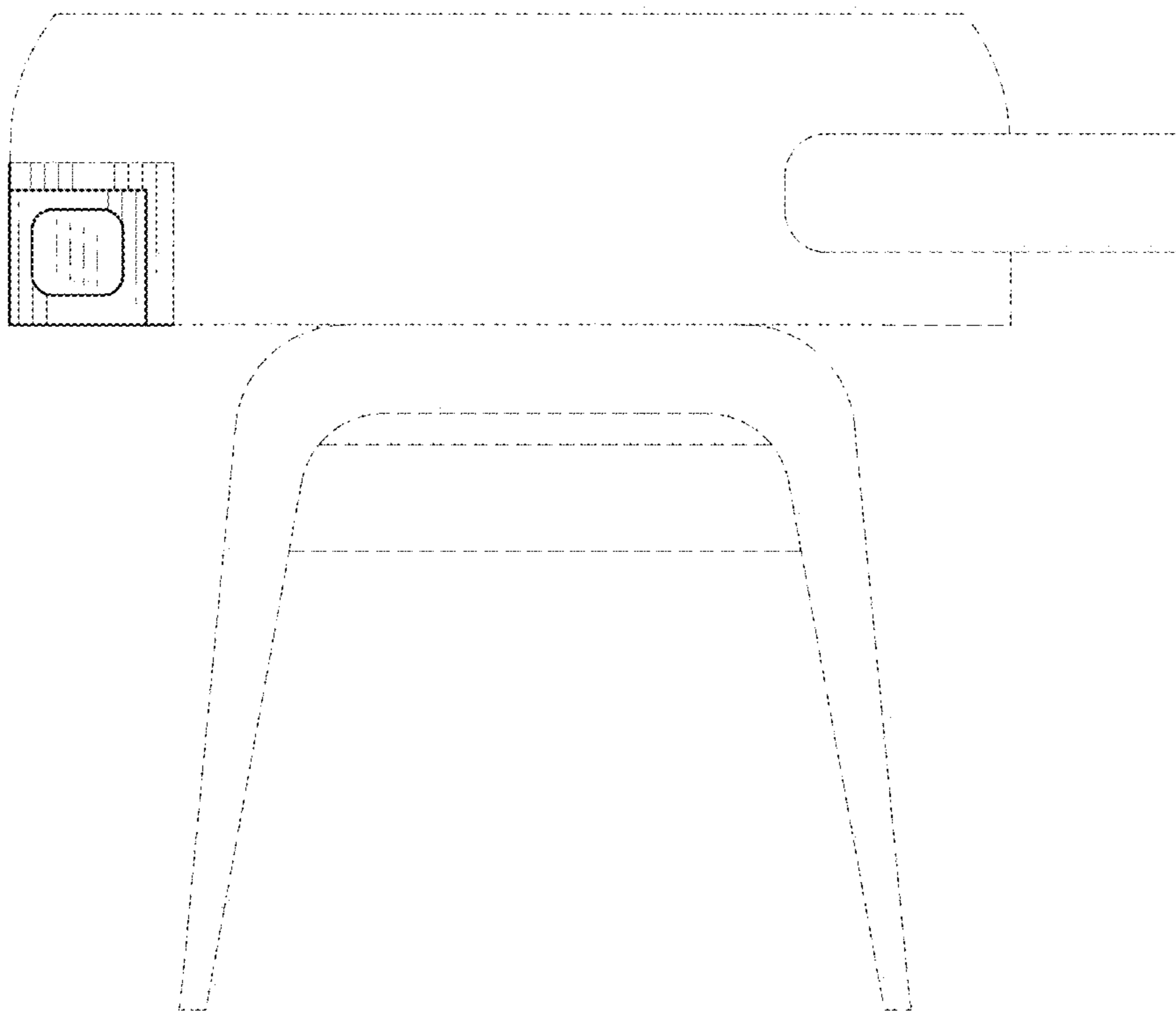


FIG. 6

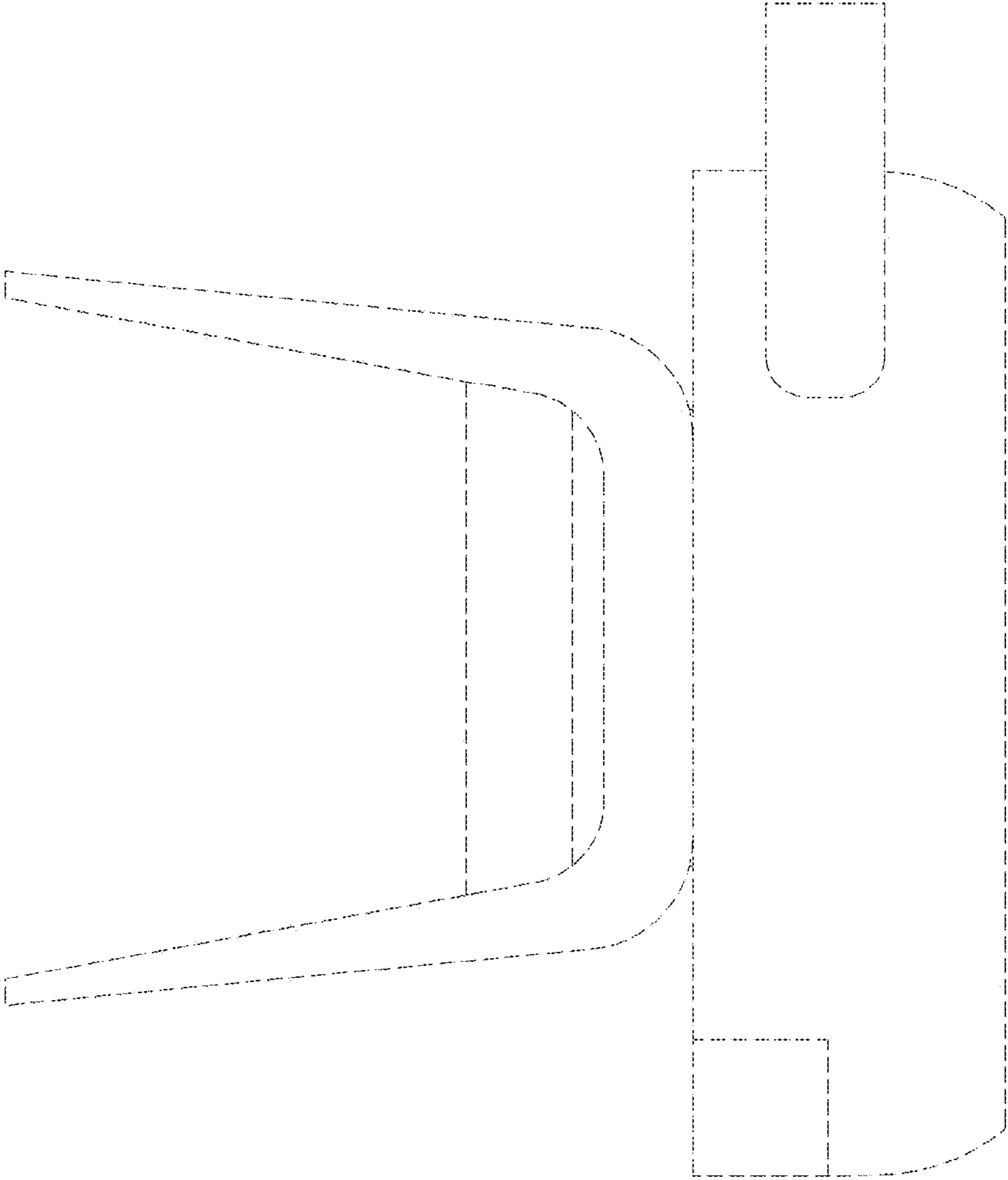


FIG.7

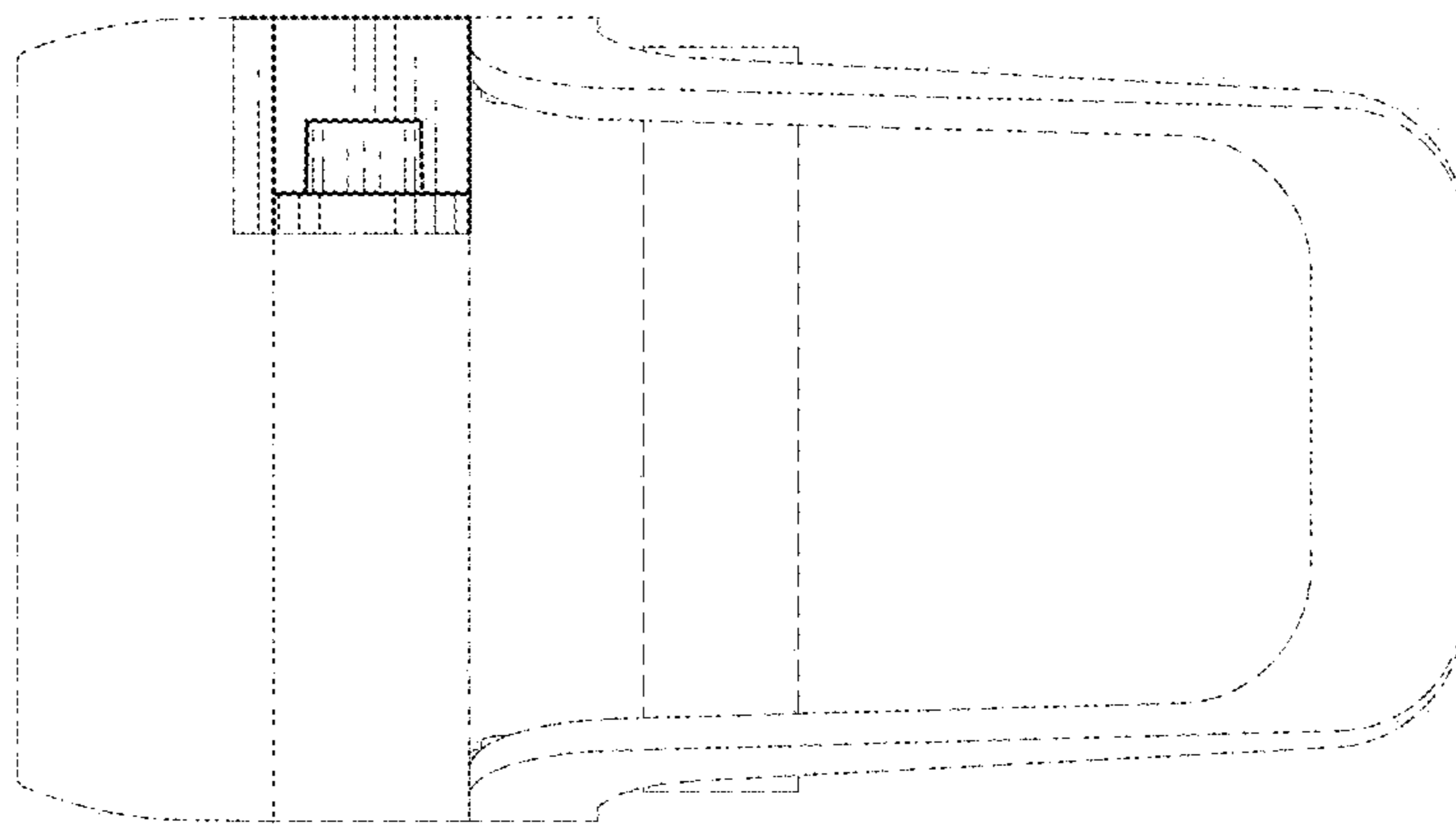


FIG. 8

