



US00D943099S

(12) **United States Design Patent** (10) **Patent No.:** **US D943,099 S**  
**Iwasaki et al.** (45) **Date of Patent:** **\*\* Feb. 8, 2022**

(54) **BIPOLAR CUTTING ELECTRODE**

(74) *Attorney, Agent, or Firm* — Kenja IP Law PC

(71) Applicant: **OLYMPUS CORPORATION**,  
Hachioji (JP)

(57) **CLAIM**

The ornamental design for a bipolar cutting electrode, as shown and described.

(72) Inventors: **Seiji Iwasaki**, Hachioji (JP); **Soichi Ikuma**, Hachioji (JP); **Yuji Sakai**, Hachioji (JP); **Takayuki Tsukagoshi**, Hachioji (JP); **Aya Mori**, Hachioji (JP); **Miho Naka**, Hachioji (JP); **Nao Tsuruta**, Hachioji (JP); **Yoshino Nagasuka**, Hachioji (JP)

**DESCRIPTION**

FIG. 1 is a front, right side, bottom perspective view of a first embodiment of a bipolar cutting electrode showing our new design;

(73) Assignee: **OLYMPUS CORPORATION**,  
Hachioji (JP)

FIG. 2 is a front, left side, top perspective view thereof;

(\*\*) Term: **15 Years**

FIG. 3 is a front elevation view thereof;

(21) Appl. No.: **29/703,564**

FIG. 4 is a right side elevation view thereof; the left side elevation view being a mirror image thereof;

(22) Filed: **Aug. 28, 2019**

FIG. 5 is a rear elevation view thereof;

(51) **LOC (13) Cl.** ..... **24-02**

FIG. 6 is a top elevation view thereof;

(52) **U.S. Cl.**  
USPC ..... **D24/144**

FIG. 7 is a bottom elevation view thereof;

(58) **Field of Classification Search**  
USPC ..... D24/133, 144, 147

FIG. 8 is a front, right side, bottom perspective view of a second embodiment of a bipolar cutting electrode showing our new design;

(Continued)

FIG. 9 is a front, left side, top perspective view thereof;

(56) **References Cited**

U.S. PATENT DOCUMENTS

5,196,011 A \* 3/1993 Korth ..... A61B 18/14  
606/46

FIG. 10 is a front elevation view thereof;

5,582,610 A \* 12/1996 Grossi ..... A61B 18/14  
600/210

FIG. 11 is a right side elevation view thereof; the left side elevation view being a mirror image thereof;

(Continued)

FIG. 12 is a rear elevation view thereof;

OTHER PUBLICATIONS

Surgical Tissue Management System, Olympus Catalog, Mar. 2018, N8600046-032018, Olympus Corporation.

FIG. 13 is a top elevation view thereof;

(Continued)

FIG. 14 is a bottom elevation view thereof;

FIG. 15 is a front, right side, bottom perspective view of a third embodiment of a bipolar cutting electrode showing our new design;

FIG. 16 is a front, left side, top perspective view thereof;

FIG. 17 is a front elevation view thereof;

FIG. 18 is a right side elevation view thereof; the left side elevation view being a mirror image thereof;

FIG. 19 is a rear elevation view thereof;

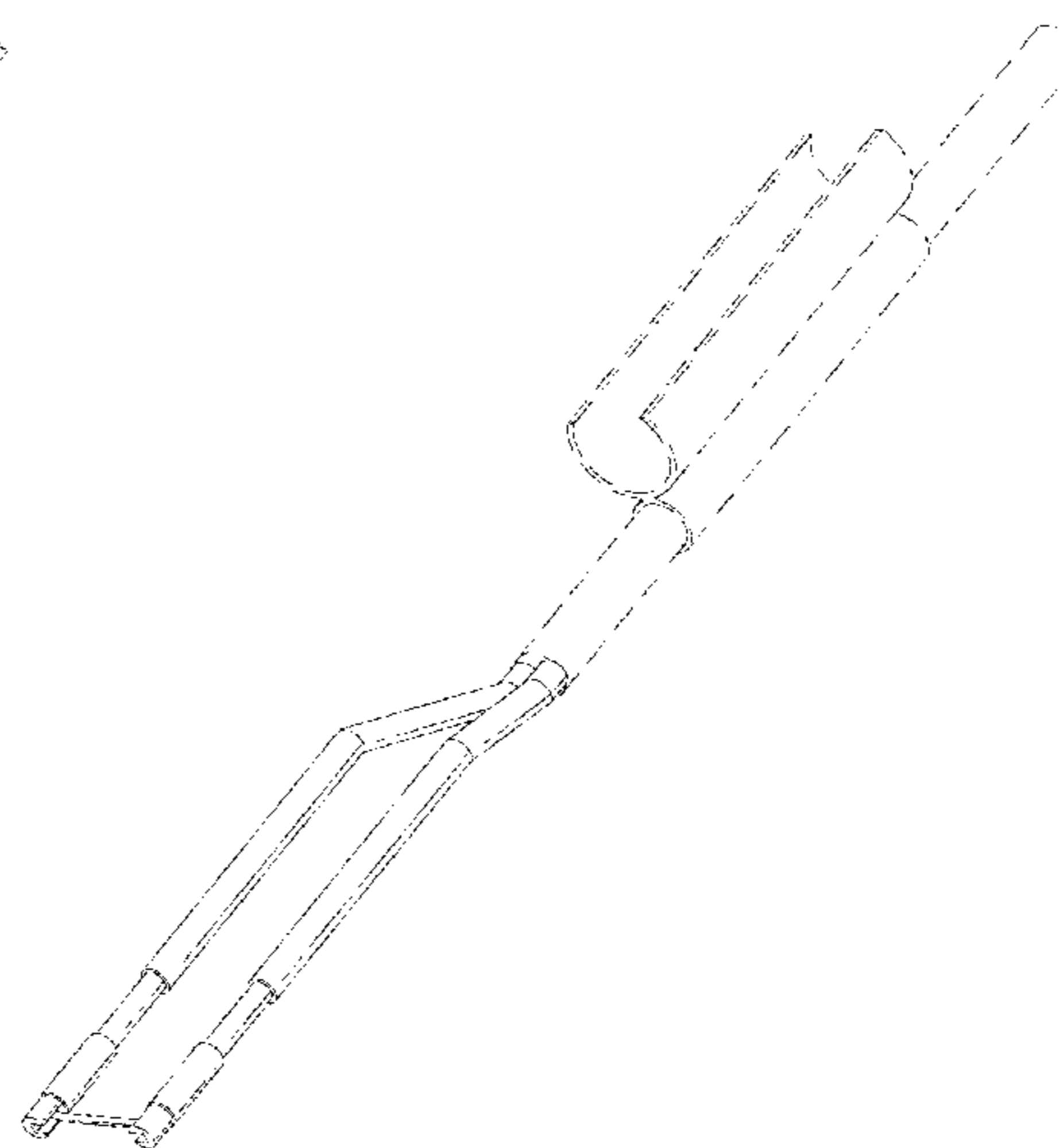
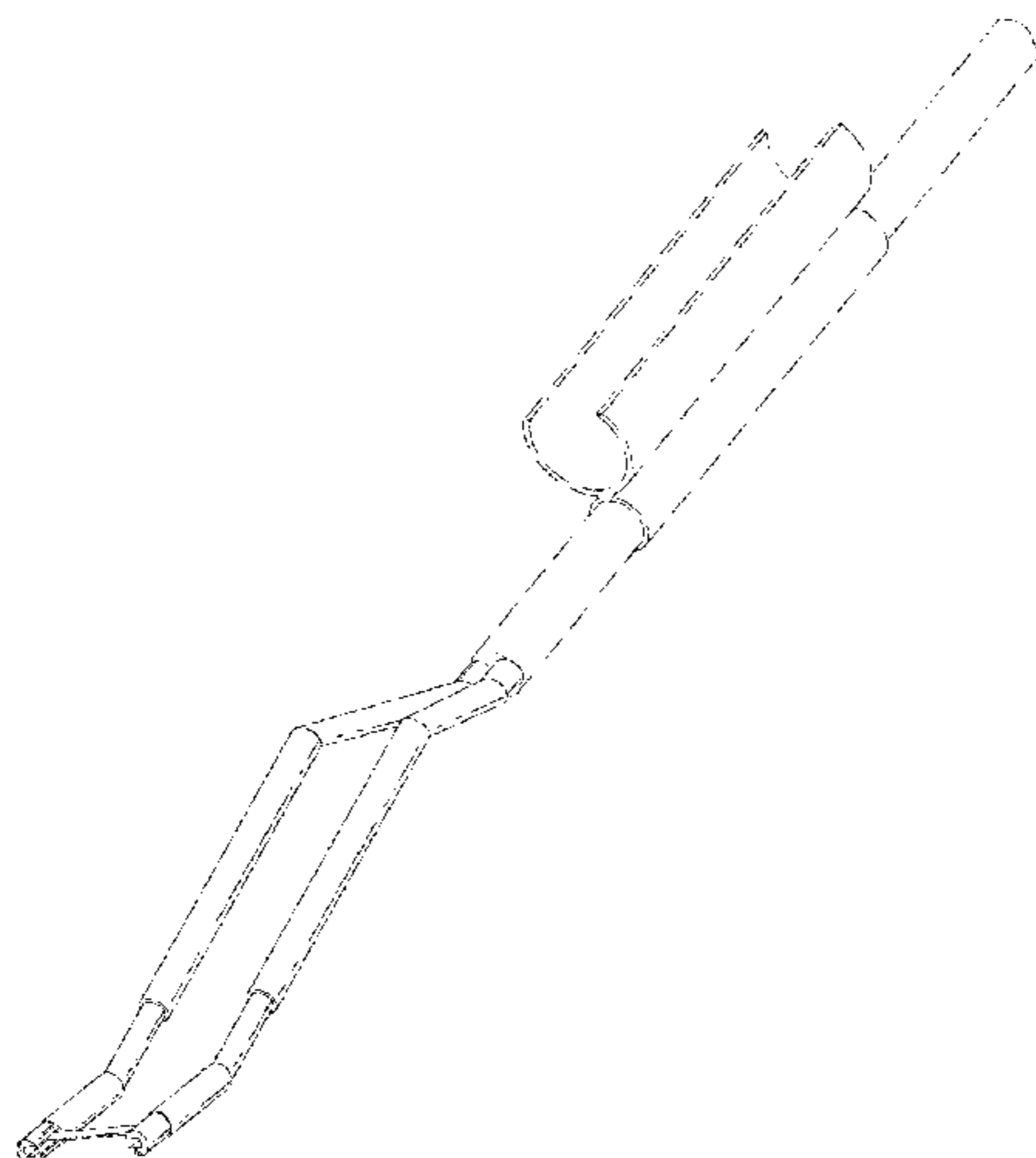
FIG. 20 is a top elevation view thereof; and,

FIG. 21 is a bottom elevation view thereof.

The broken lines in the drawings are for the purpose of illustrating unclaimed portions of the bipolar cutting electrode and form no part of the claimed design.

*Primary Examiner* — Wan Laymon

**1 Claim, 18 Drawing Sheets**



(58) **Field of Classification Search**

CPC . A61B 18/14; A61B 18/1402; A61B 18/1482;  
 A61B 18/149; A61B 18/1492; A61B  
 2018/00601; A61B 2018/126; A61B  
 2018/1405

See application file for complete search history.

6,277,114	B1 *	8/2001	Bullivant .....	A61B 18/149 606/41
7,429,262	B2 *	9/2008	Wolozko .....	A61B 18/1402 606/46
D773,045	S *	11/2016	Wittke .....	D24/144
D773,046	S *	11/2016	Wittke .....	D24/144
D783,818	S *	4/2017	Herrmann .....	D24/144
D792,972	S *	7/2017	Wittke .....	D24/144

(56)

**References Cited**

U.S. PATENT DOCUMENTS

5,599,349	A *	2/1997	D'Amelio .....	A61B 18/149 606/46
5,902,300	A *	5/1999	Hahnen .....	A61B 18/149 606/46
5,957,923	A *	9/1999	Hahnen .....	A61B 18/149 606/46
5,980,520	A *	11/1999	Vancaillie .....	A61B 18/149 606/46
6,197,025	B1 *	3/2001	Grossi .....	A61B 18/14 606/41

OTHER PUBLICATIONS

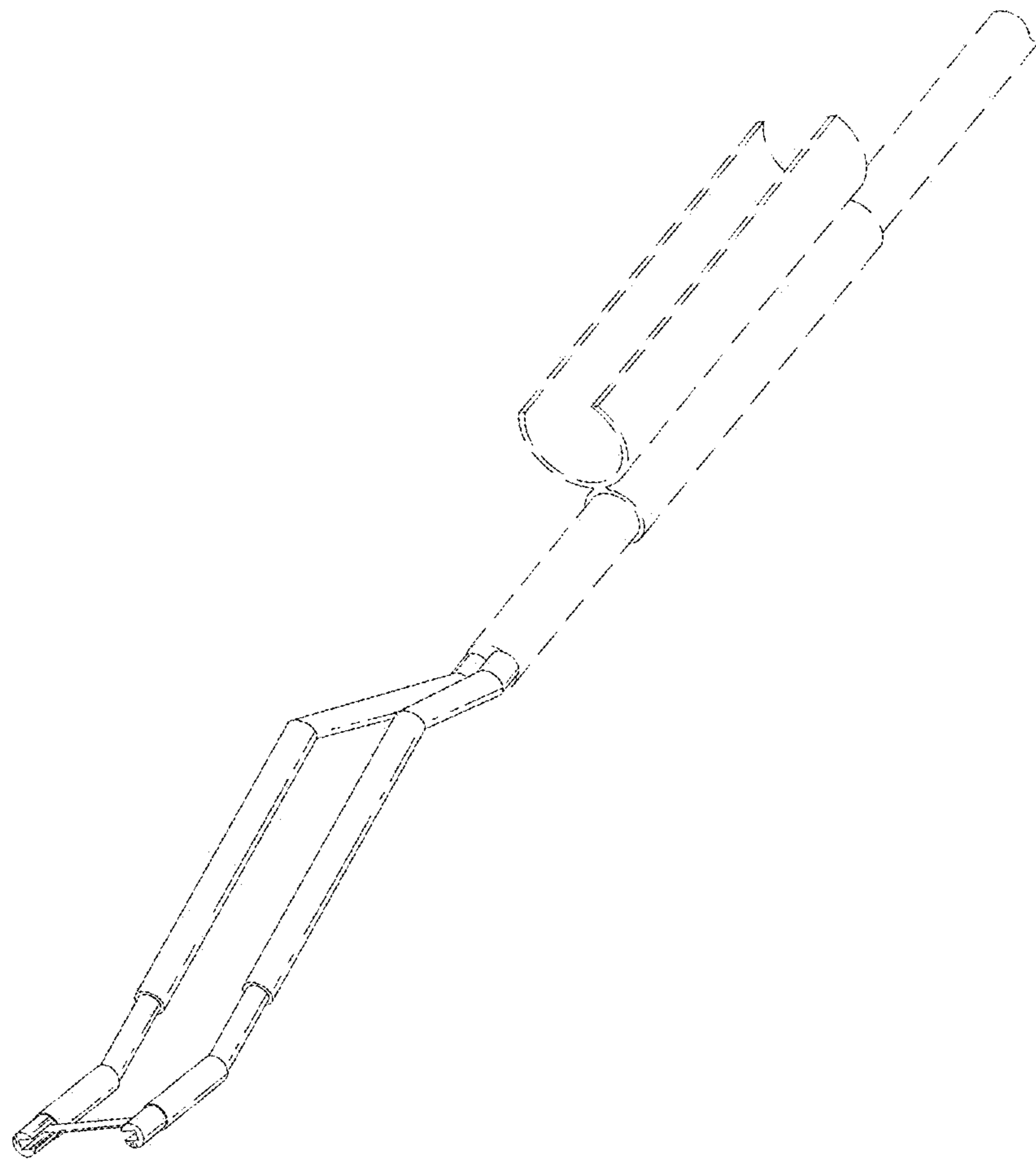
The World of Endoscopy, Urology, May 2015, 10th Edition, Karl Storz SE & Co. KG.

A Revolution in Transurethral Treatment Concepts—Bipolar Treatment Concepts from Karl Storz, <https://www.karlstorz.com>, Retrieved on Aug. 26, 2019, from URL: [https://www.karlstorz.com/cps/rde/xbcr/karlstorz\\_assets/ASSETS/2143600.pdf](https://www.karlstorz.com/cps/rde/xbcr/karlstorz_assets/ASSETS/2143600.pdf), Karl Storz.

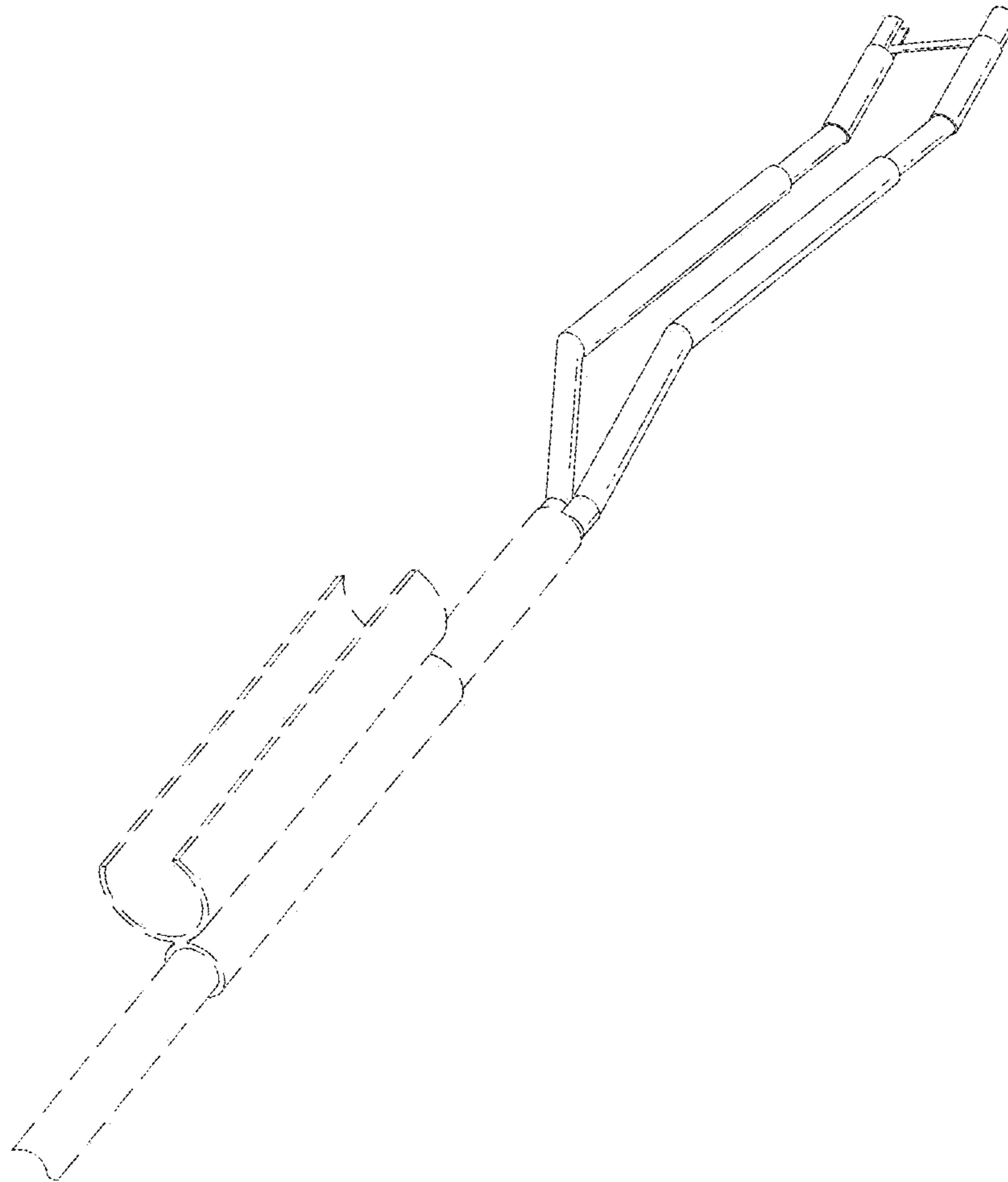
Shark—The Resectoscopes from Richard Wolf, <https://www.richard-wolf.com>, Retrieved on Aug. 26, 2019, from URL: [https://www.richard-wolf.com/mam/data/Typo3/Prospekte/Urologie/D\\_691\\_Shark/D\\_691\\_SHARK\\_Resectoscopes\\_VI18\\_en.pdf](https://www.richard-wolf.com/mam/data/Typo3/Prospekte/Urologie/D_691_Shark/D_691_SHARK_Resectoscopes_VI18_en.pdf), Richard Wolf.

\* cited by examiner

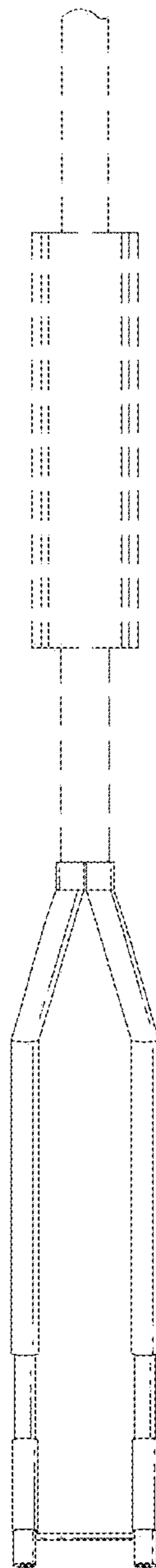
*FIG. 1*



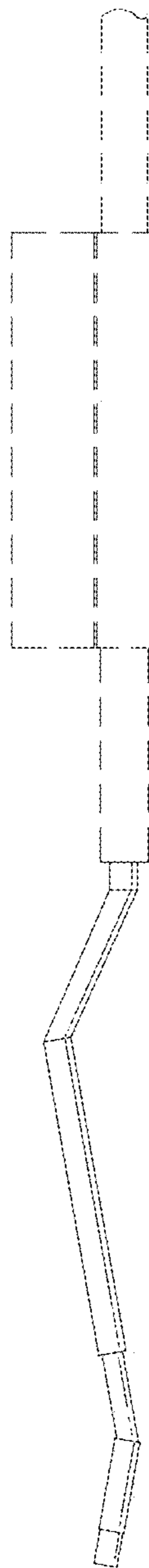
*FIG. 2*



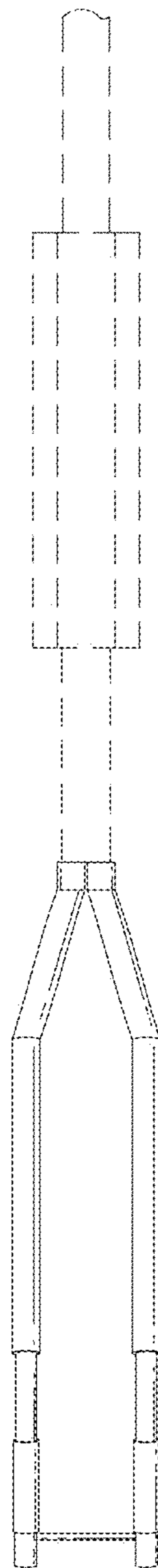
*FIG. 3*



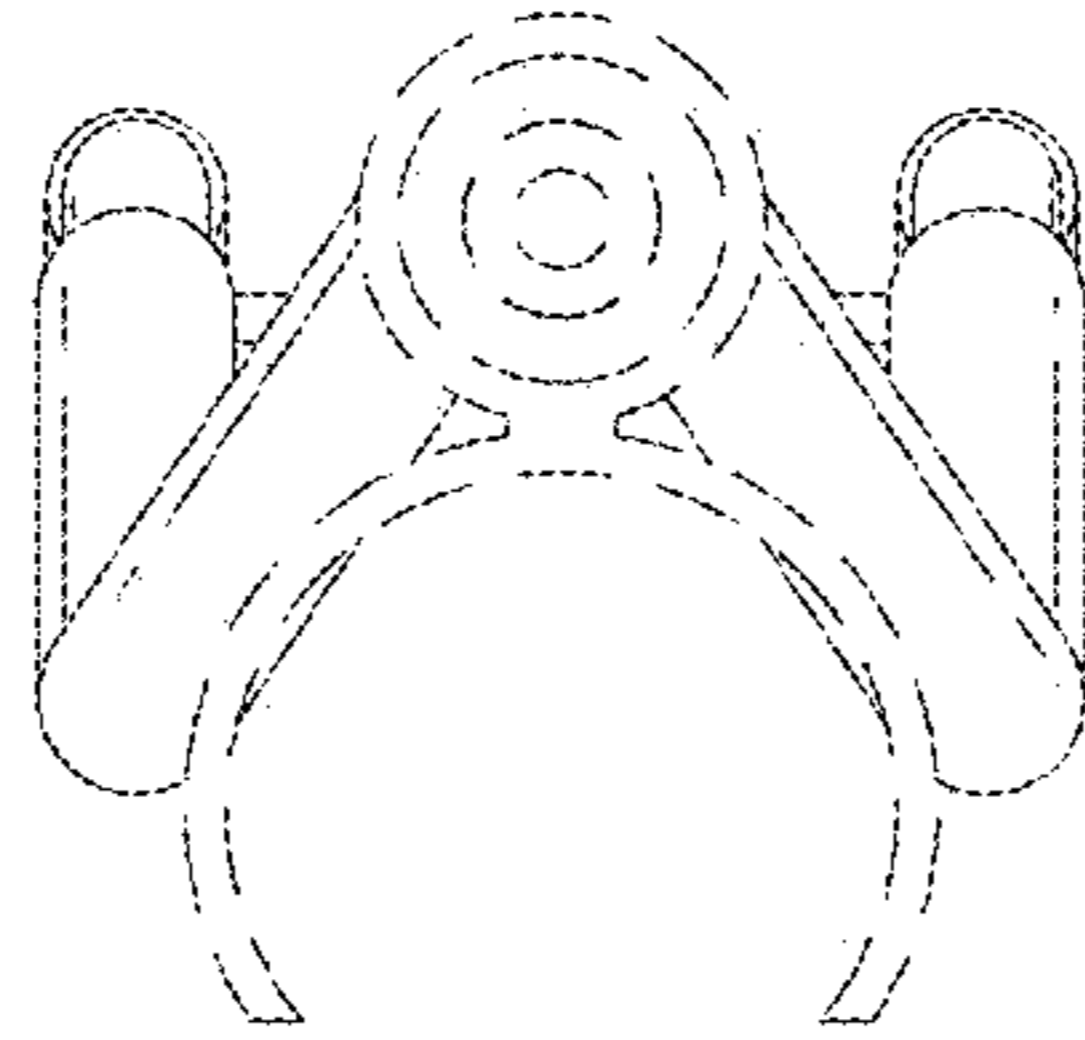
*FIG. 4*



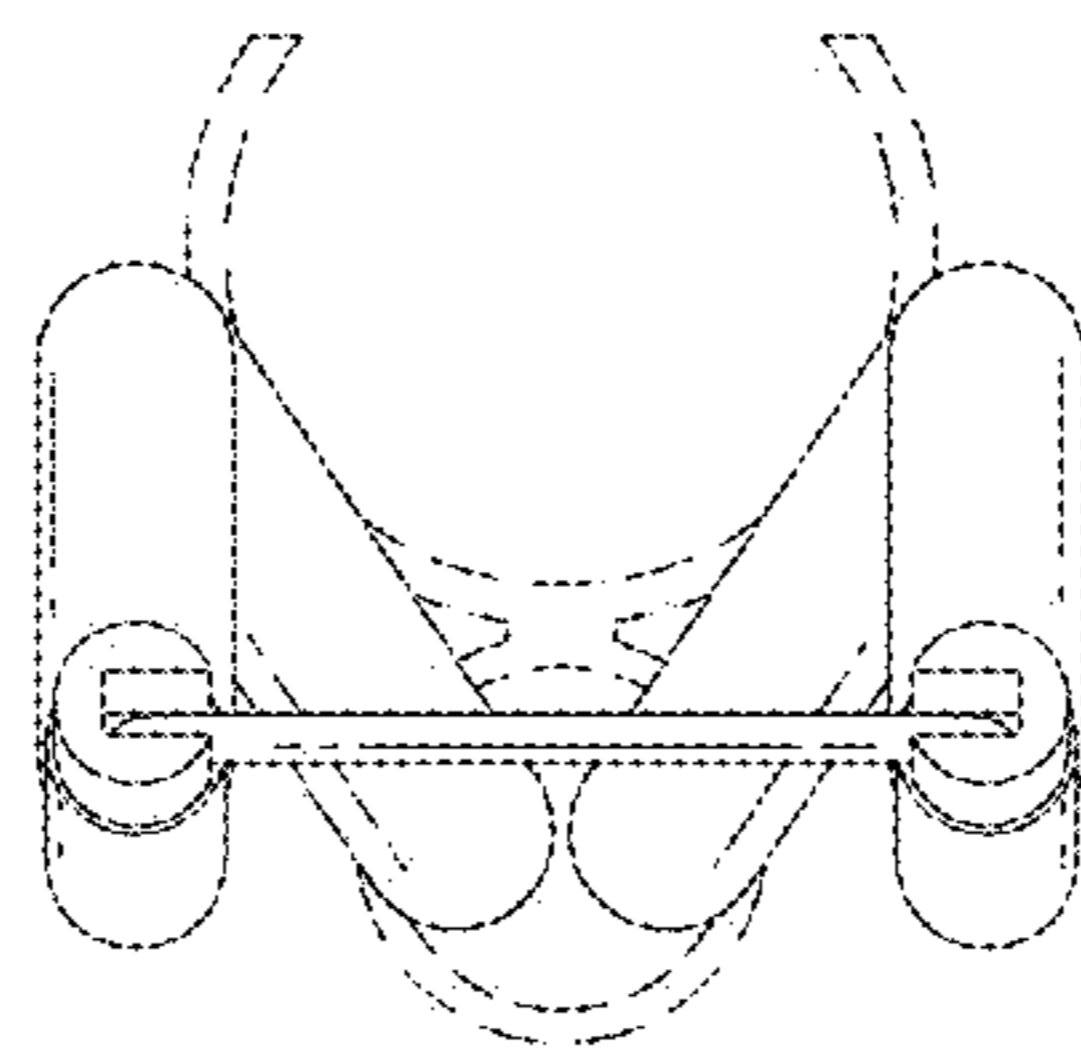
*FIG. 5*



*FIG. 6*

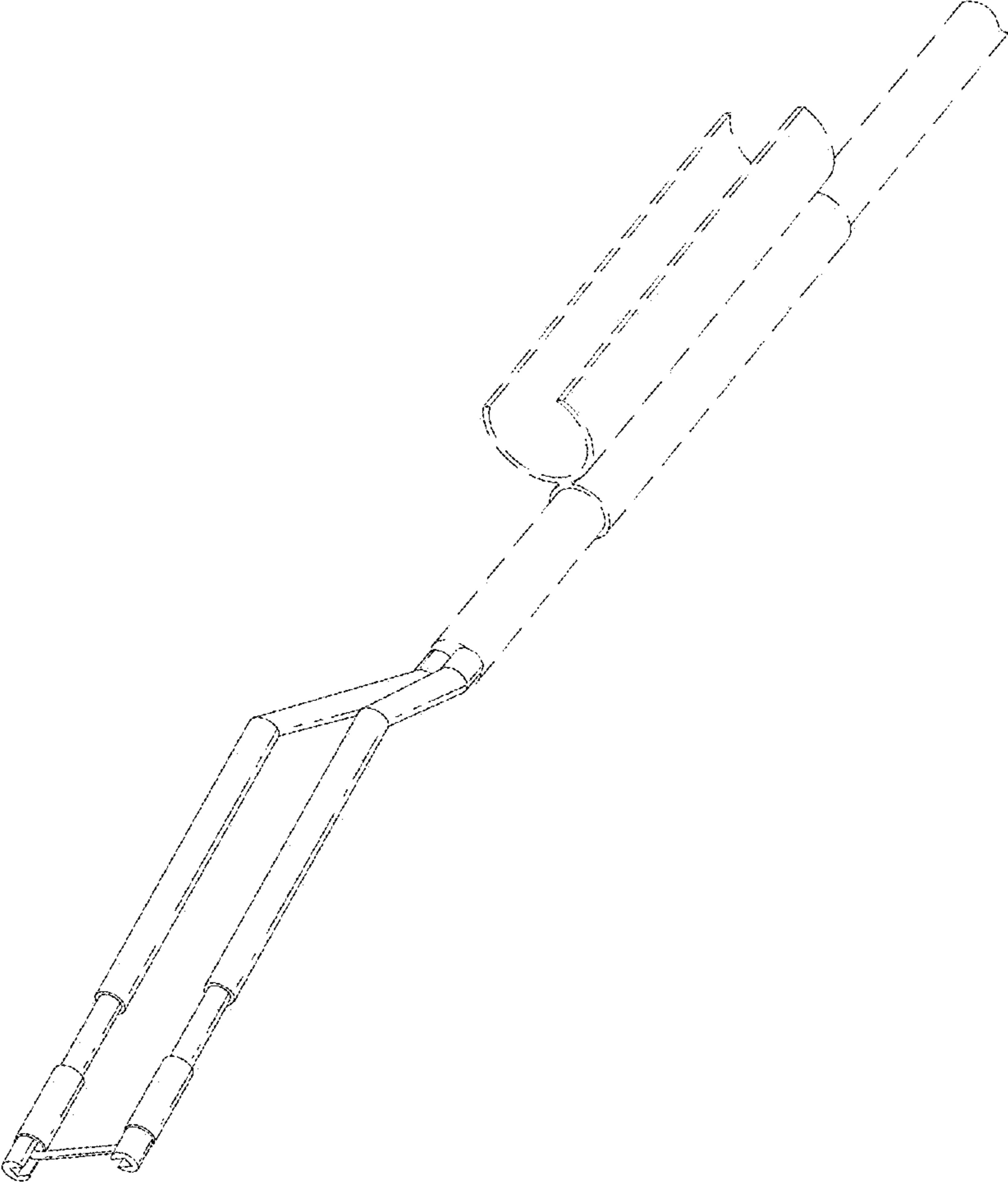


*FIG. 7*

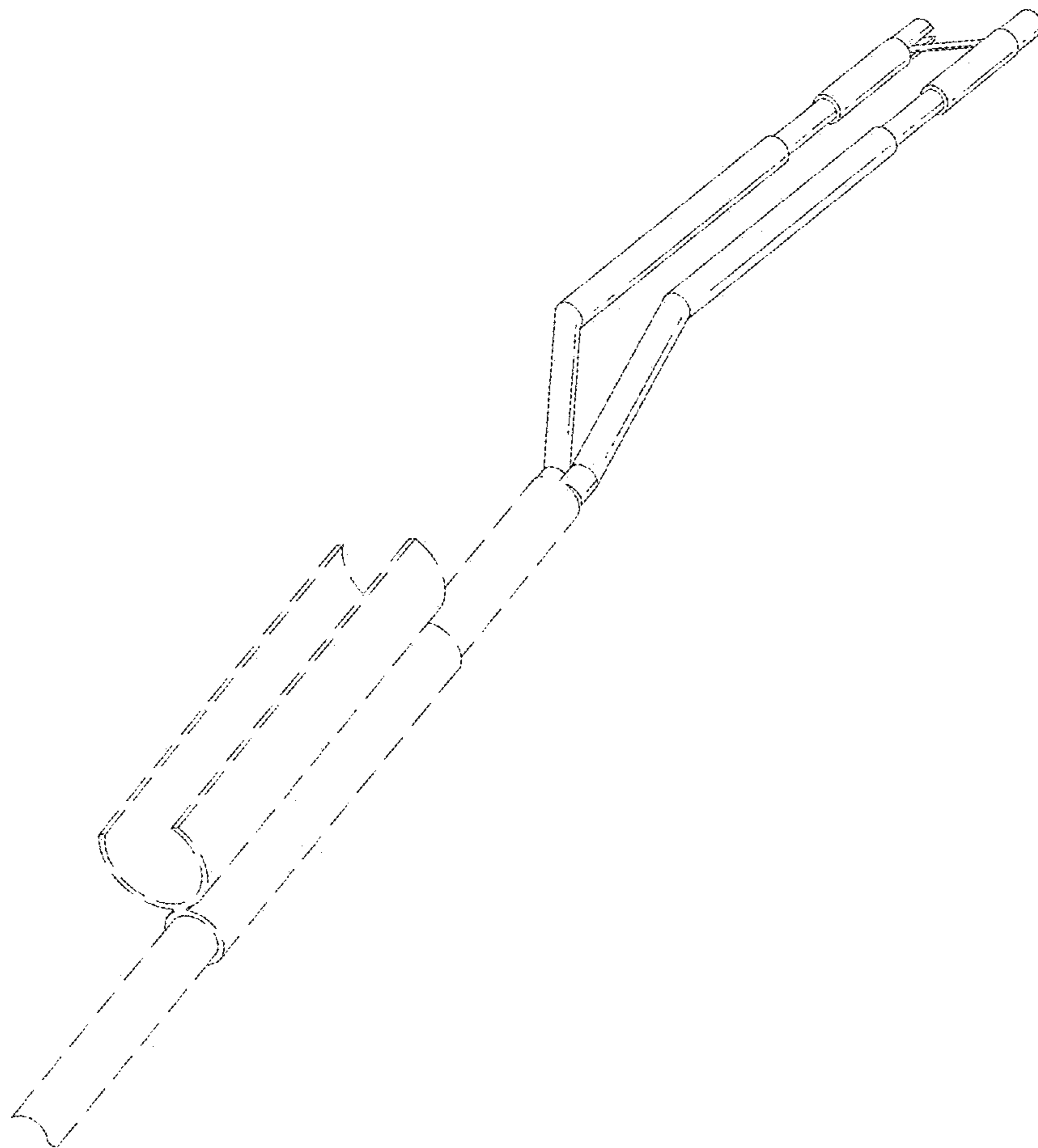




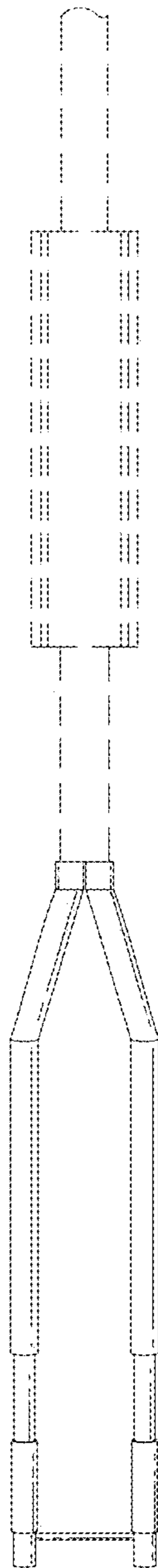
*FIG. 8*



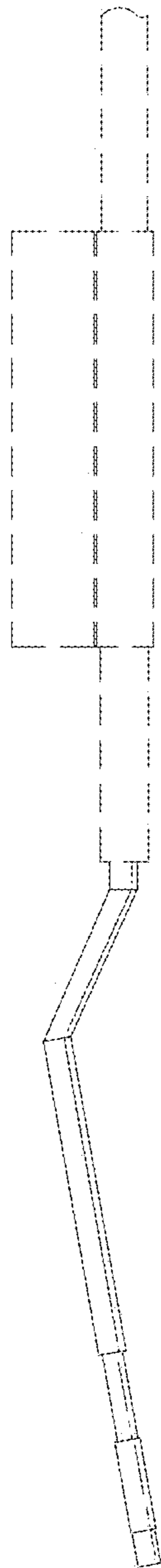
*FIG. 9*



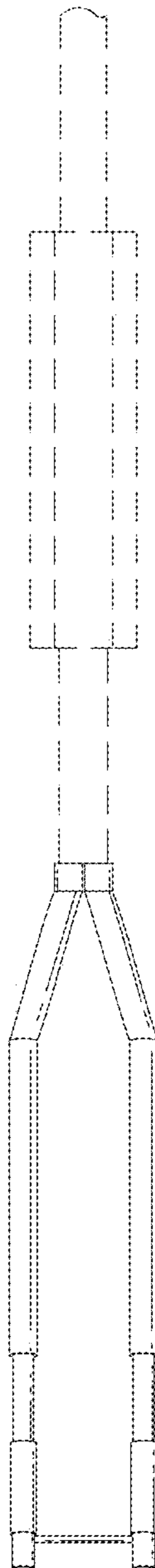
*FIG. 10*



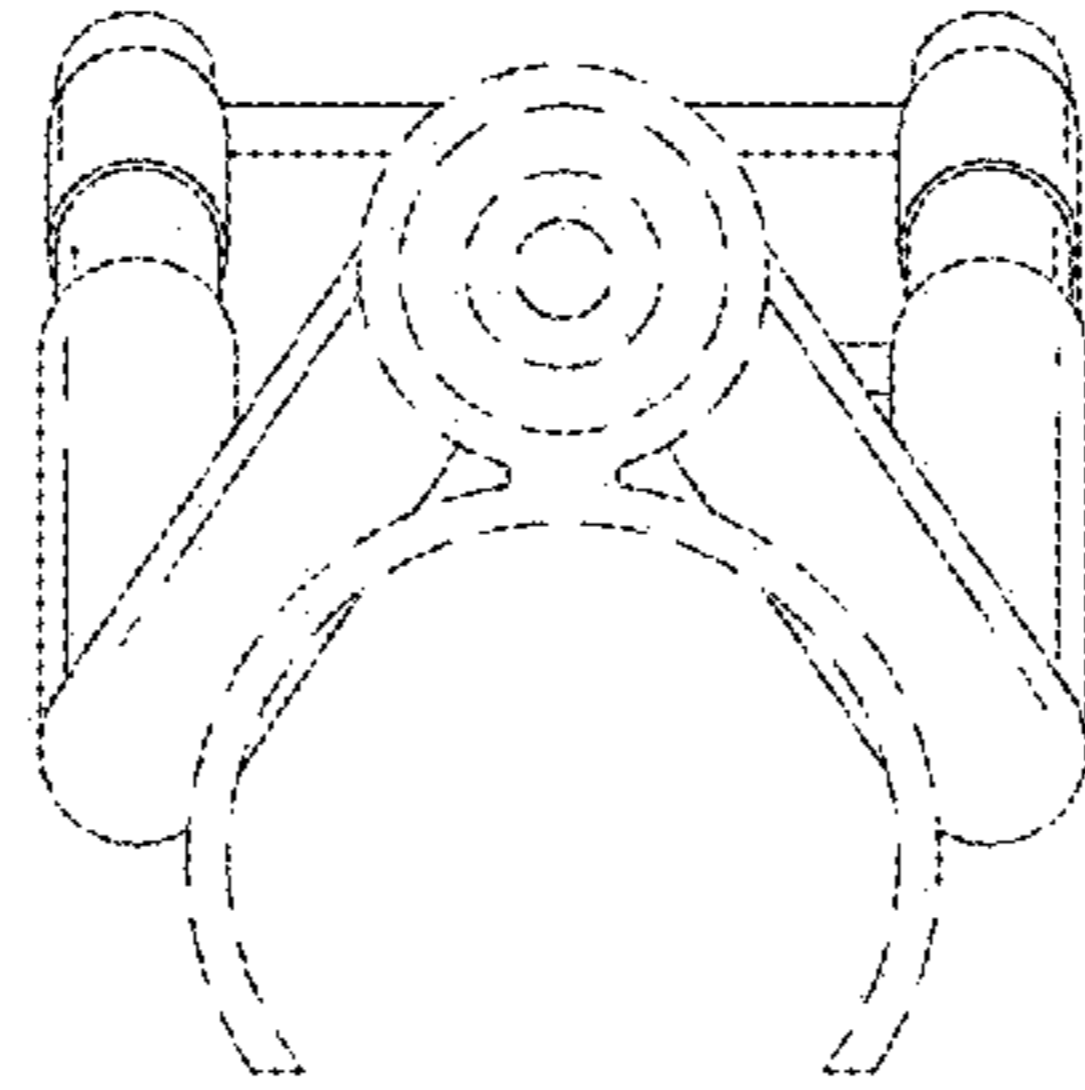
*FIG. 11*



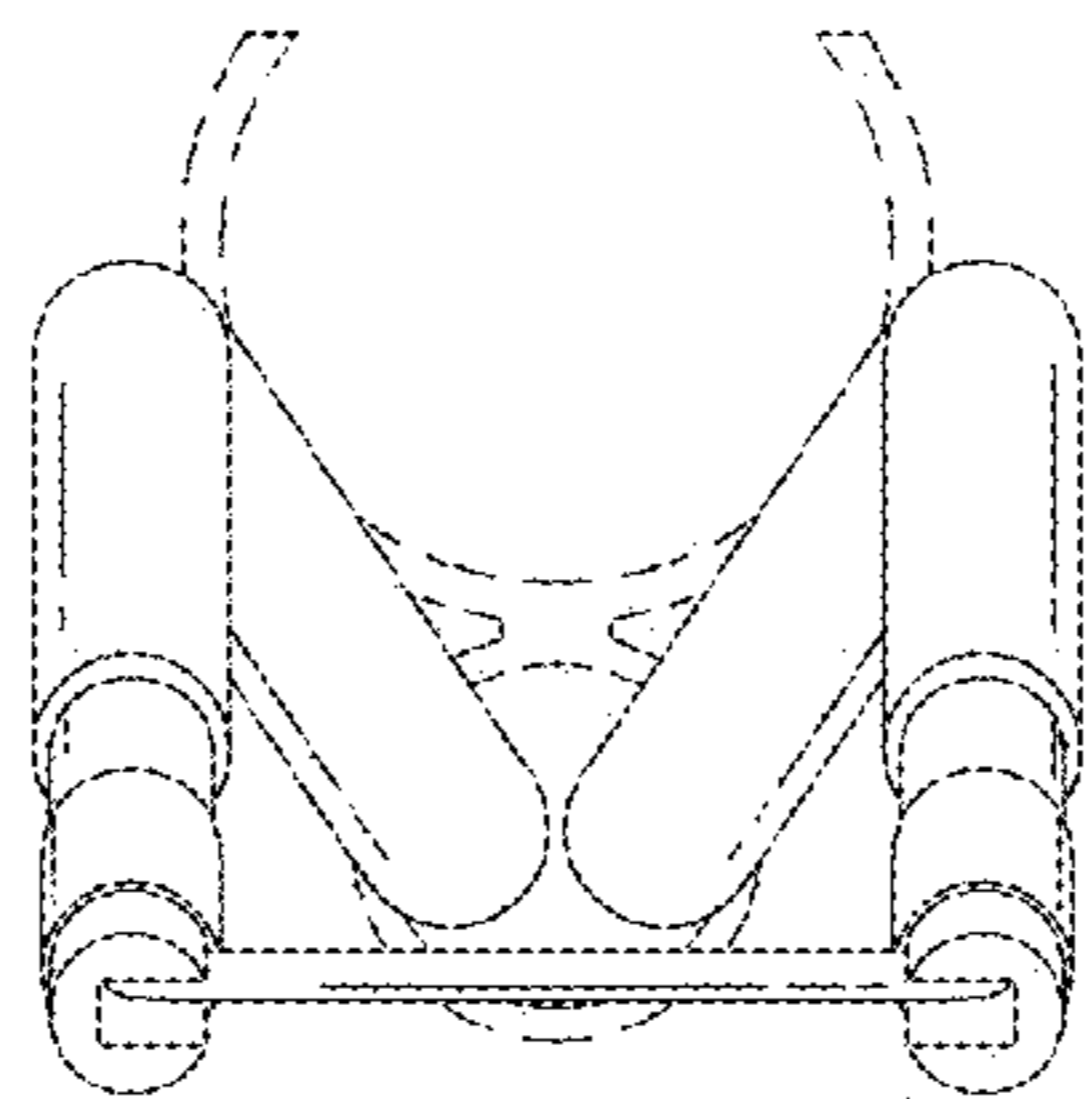
*FIG. 12*



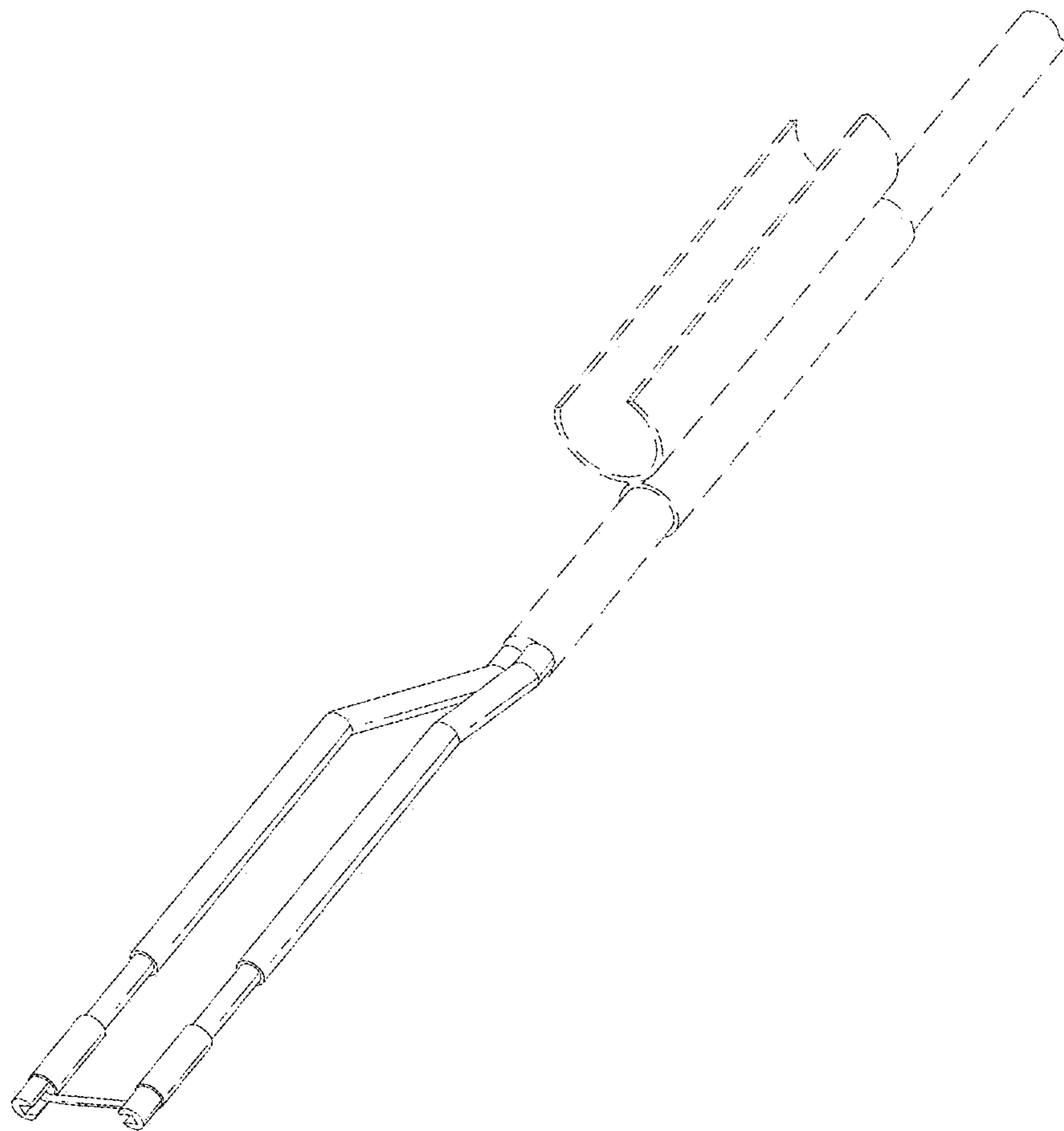
*FIG. 13*



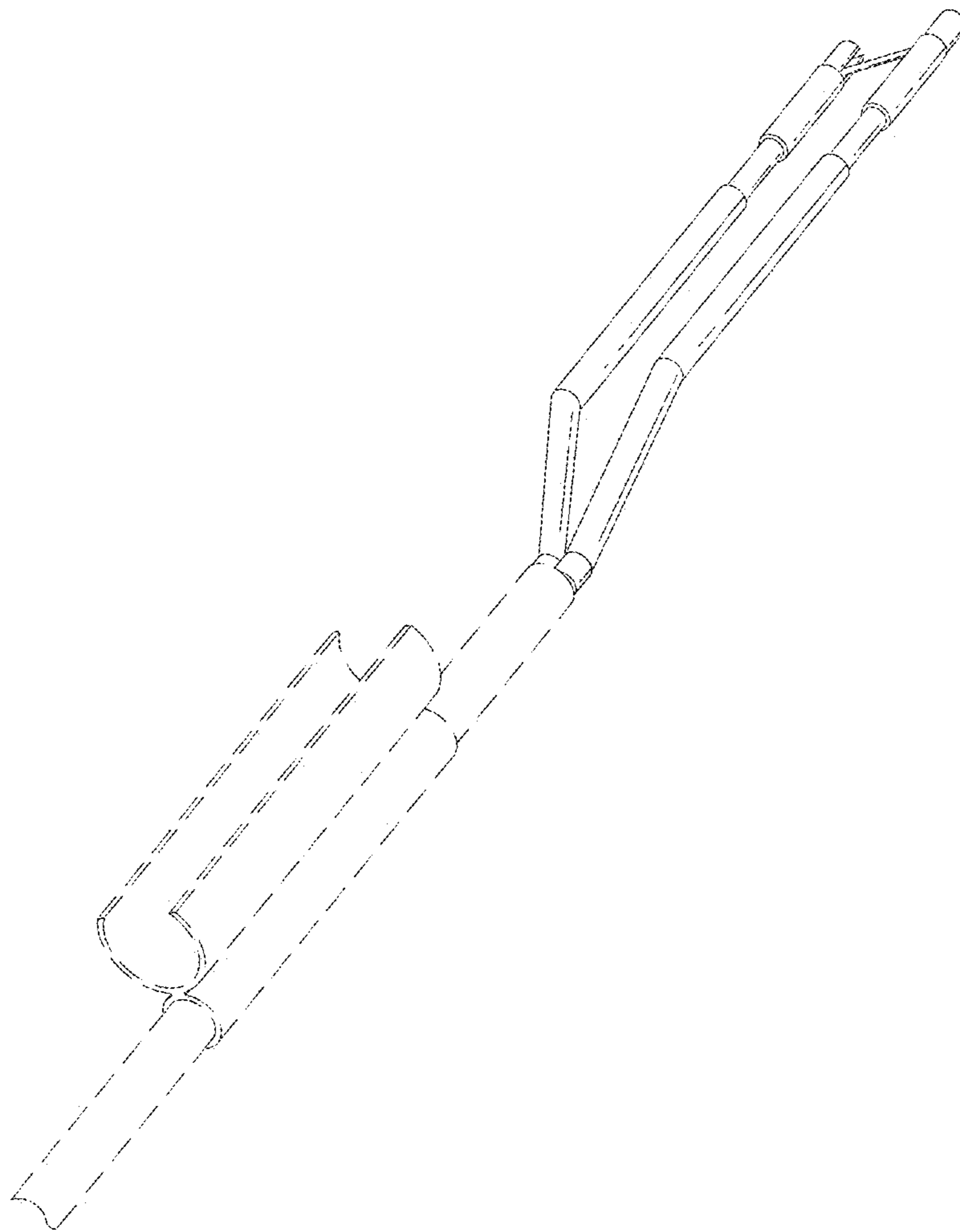
*FIG. 14*



*FIG. 15*

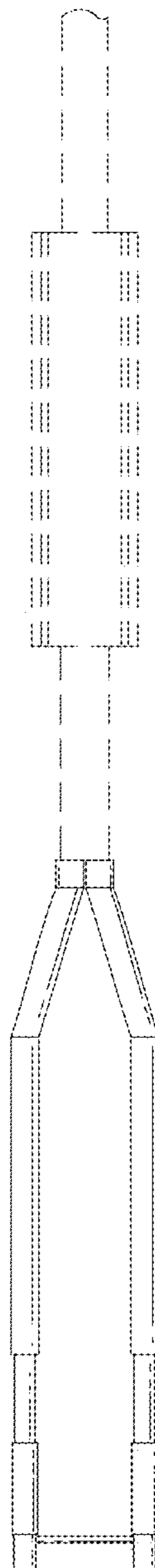


*FIG. 16*





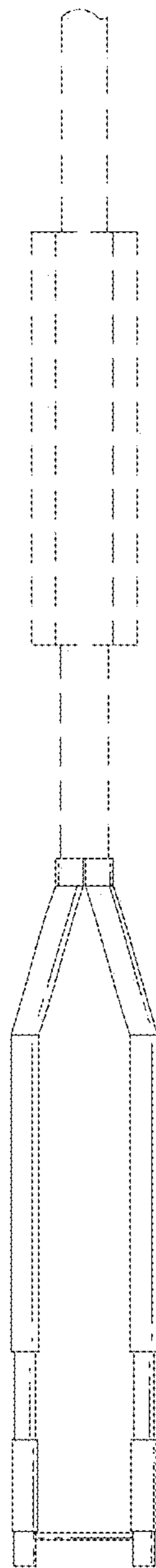
*FIG. 17*



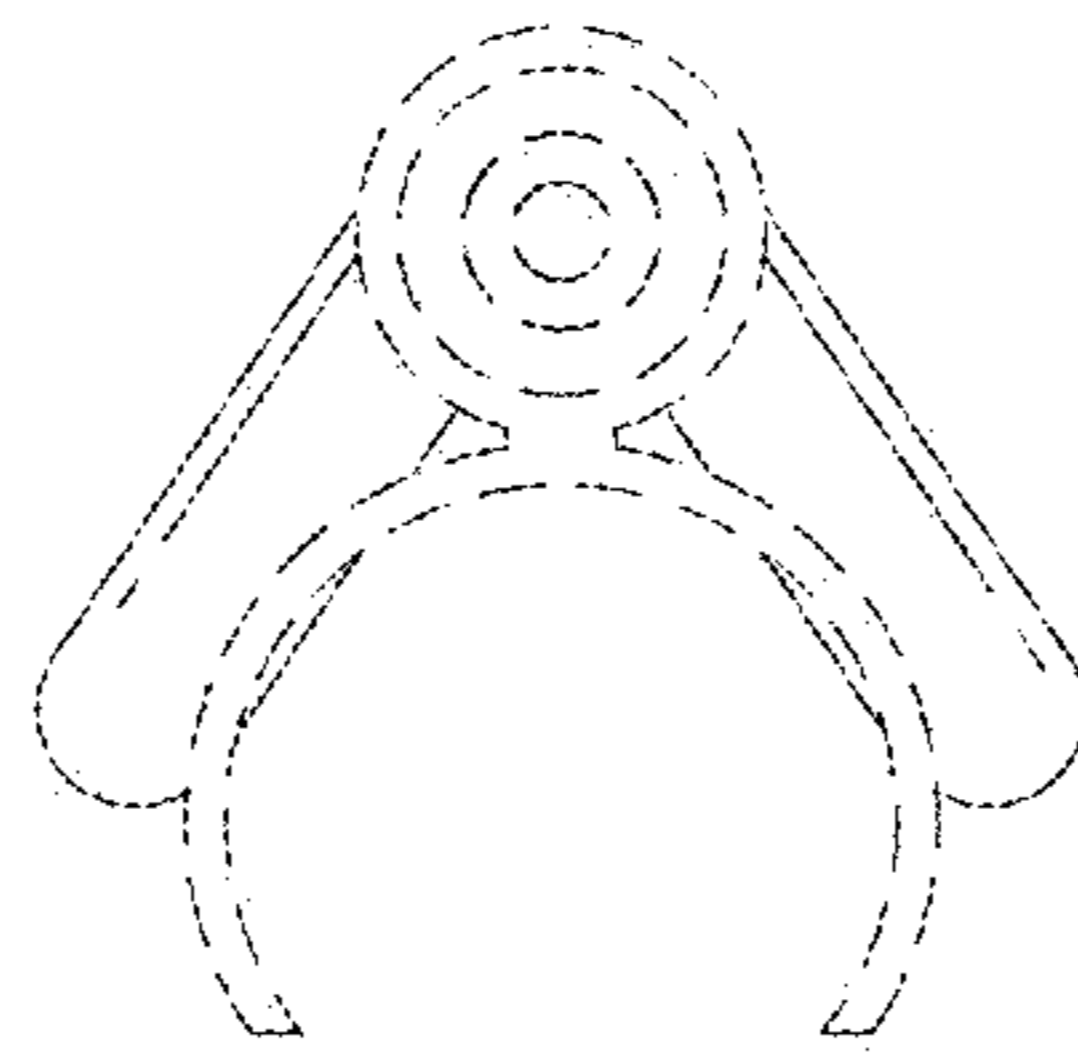
*FIG. 18*



*FIG. 19*



*FIG. 20*



*FIG. 21*

