



US00D943097S

(12) **United States Design Patent**
Hayamizu

(10) **Patent No.:** **US D943,097 S**

(45) **Date of Patent:** **** Feb. 8, 2022**

(54) **ENDOSCOPE VIDEO CAMERA**

(71) Applicant: **HOYA CORPORATION**, Tokyo (JP)

(72) Inventor: **Eiji Hayamizu**, Tokyo (JP)

(73) Assignee: **HOYA CORPORATION**, Tokyo (JP)

(**) Term: **15 Years**

(21) Appl. No.: **29/678,475**

(22) Filed: **Jan. 29, 2019**

(30) **Foreign Application Priority Data**

Jul. 30, 2018 (JP) 2018-016594

(51) **LOC (13) Cl.** **24-02**

(52) **U.S. Cl.**
USPC **D24/138**

(58) **Field of Classification Search**

USPC D24/106, 108, 112, 117, 118, 133, 134,
D24/135, 137, 138, 151, 222; 606/206,
606/205; D16/130, 132, 136, 200, 202,
D16/208, 218, 219

CPC A61B 1/00183; A61B 18/1402; A61B
5/1076; A61B 17/0008; A61B 18/14;
A61B 18/1445; A61B 1/00; A61B
1/00039; A61B 1/00052

See application file for complete search history.

(56) **References Cited**

U.S. PATENT DOCUMENTS

D768,854 S * 10/2016 Halleck D24/138
D795,424 S * 8/2017 Sloss D24/138

D803,396 S * 11/2017 Oberkircher D24/133
D818,122 S * 5/2018 Oberkircher D24/133
D847,334 S * 4/2019 Amano D24/133
D852,358 S * 6/2019 Matuschek D24/138
D855,803 S * 8/2019 Dejima D24/138
D861,864 S * 10/2019 Amano D24/133
D867,590 S * 11/2019 Engler D24/138
2019/0014971 A1* 1/2019 Petersen A61B 1/00078
2019/0208988 A1* 7/2019 Takatsuji A61B 1/00039

* cited by examiner

Primary Examiner — Manpreet S Matharu

Assistant Examiner — Yolanda Robinson

(74) *Attorney, Agent, or Firm* — Fitch, Even, Tabin &
Flannery LLP

(57) **CLAIM**

I claim the ornamental design for an endoscope video camera, as shown and described.

DESCRIPTION

FIG. 1 is a front, top and left side perspective view of an endoscope video camera, showing my new design;

FIG. 2 is a rear, bottom, and right side perspective view thereof;

FIG. 3 is a front elevational view thereof, the rear elevational view being identical;

FIG. 4 is a top plan view thereof;

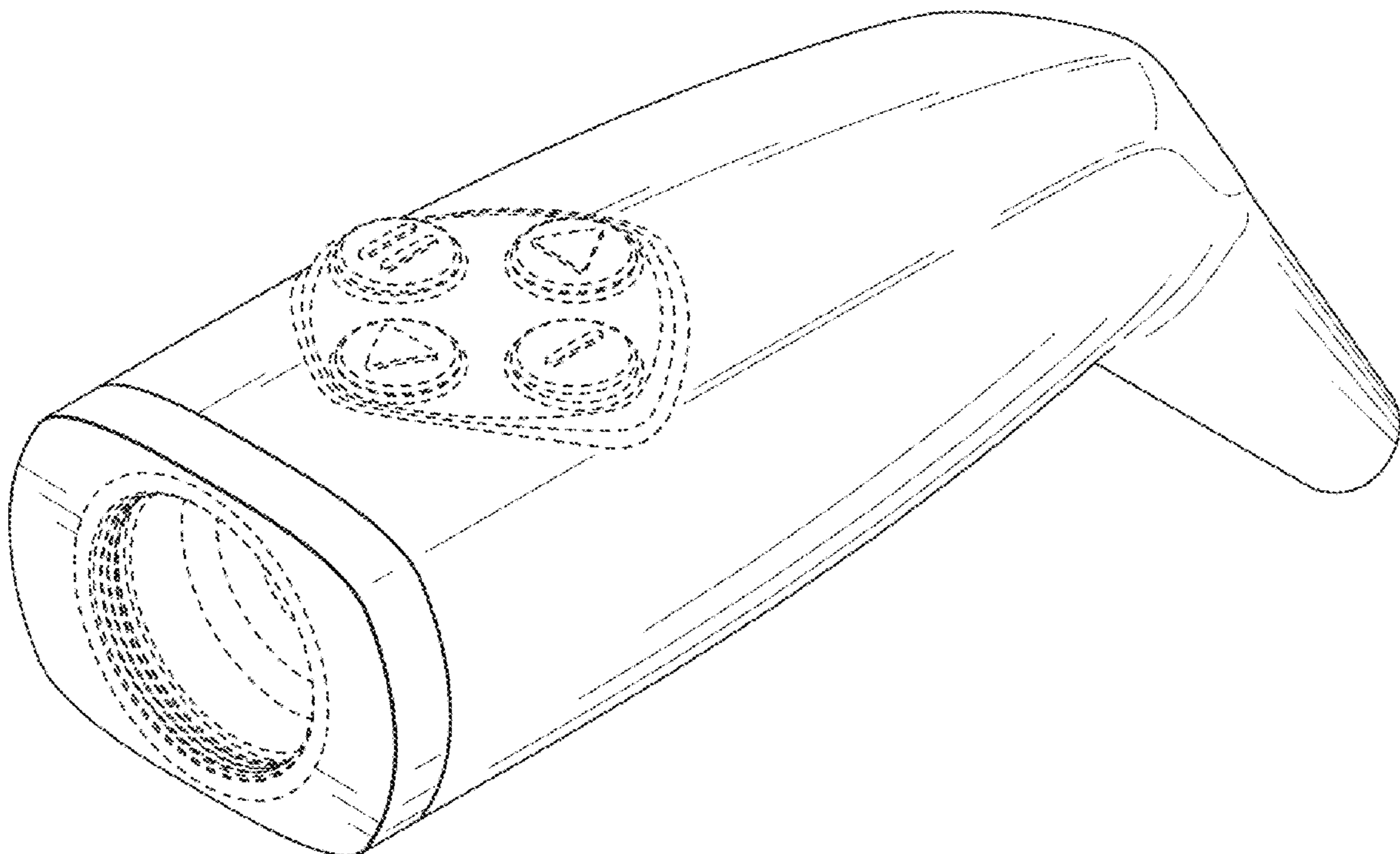
FIG. 5 is a bottom plan view thereof;

FIG. 6 is a right side elevational view thereof; and,

FIG. 7 is a left side elevational view thereof.

The broken lines illustrate portions of the endoscope video camera and form no part of the claimed design.

1 Claim, 6 Drawing Sheets



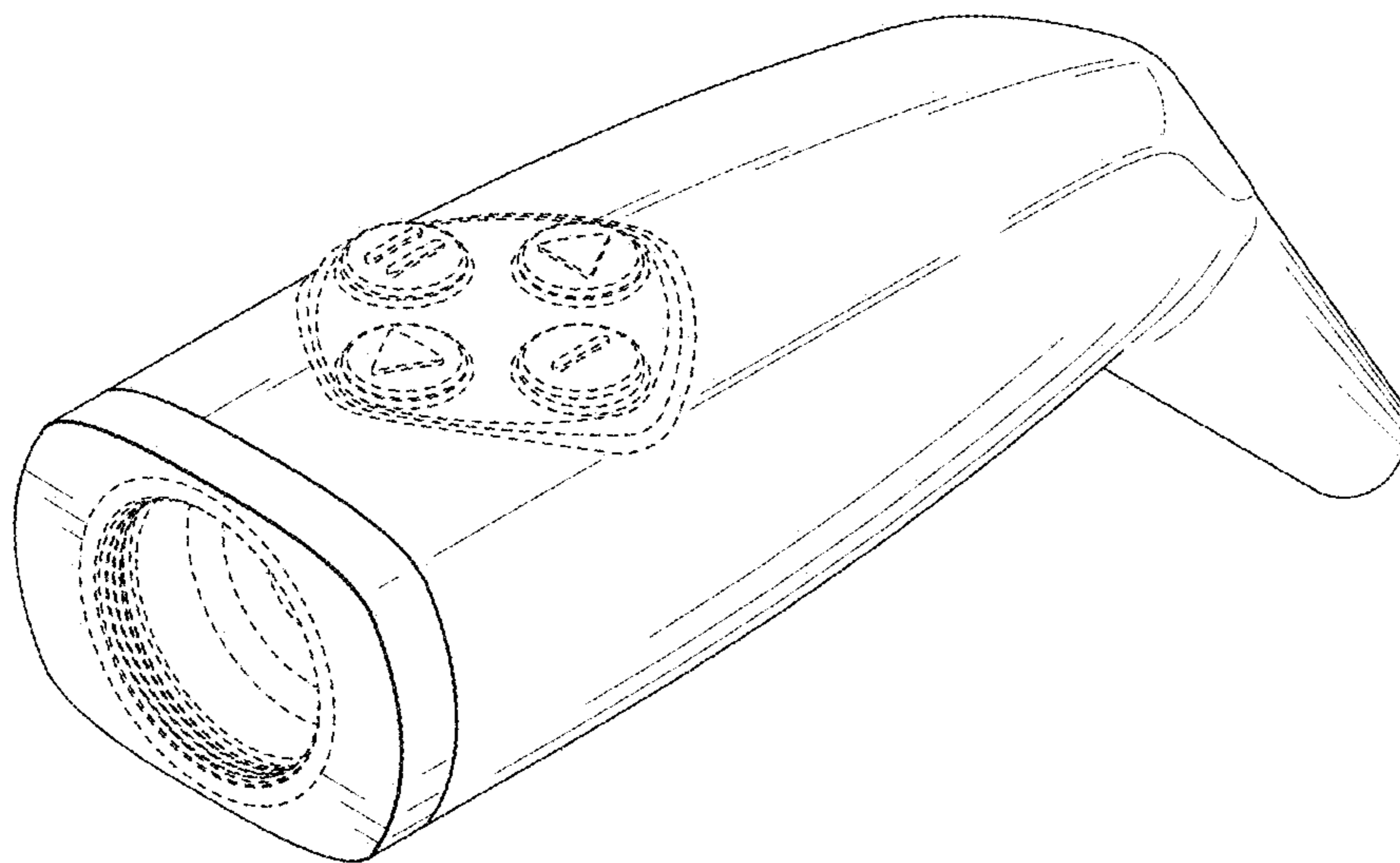
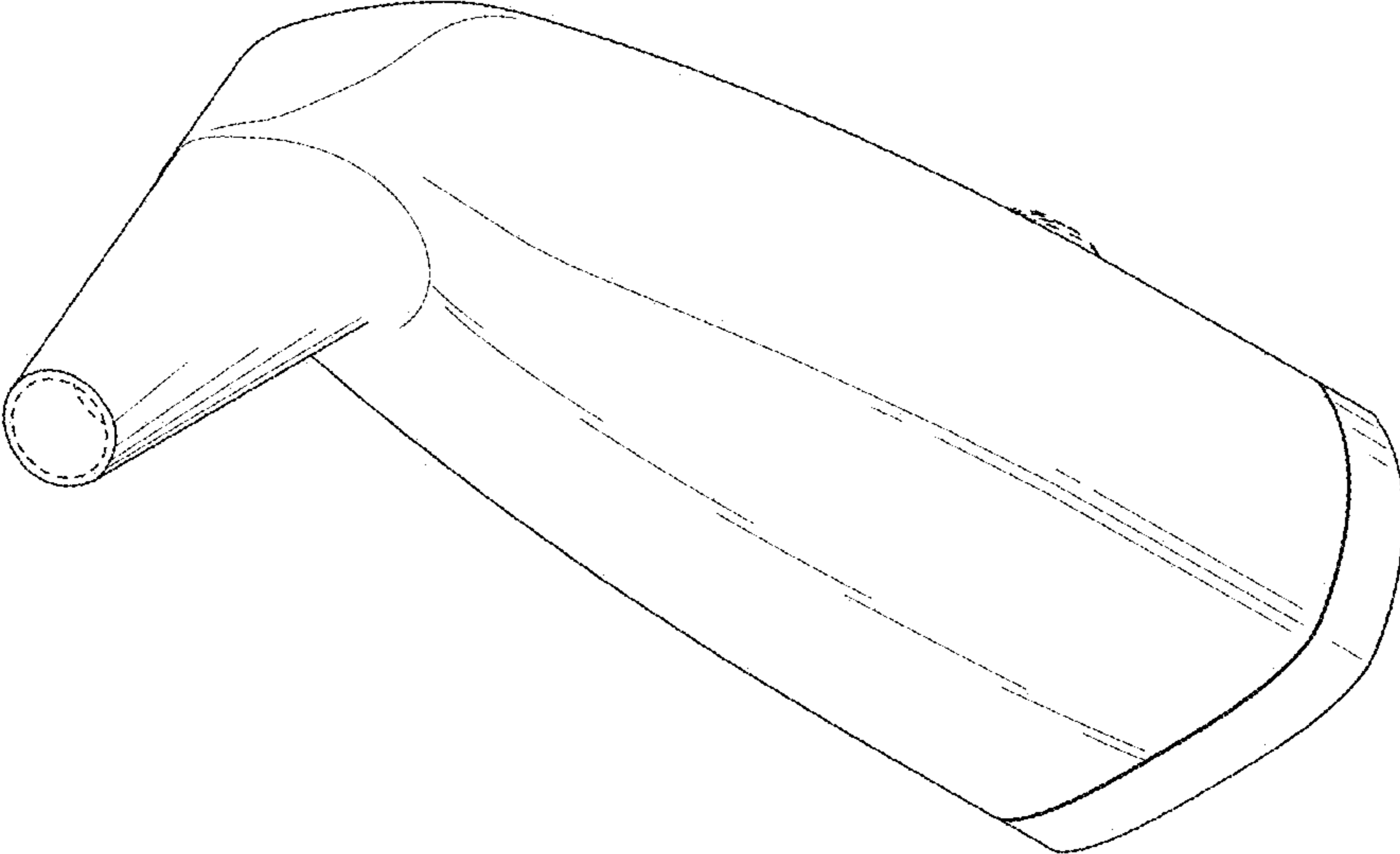


FIG. 1

FIG. 2



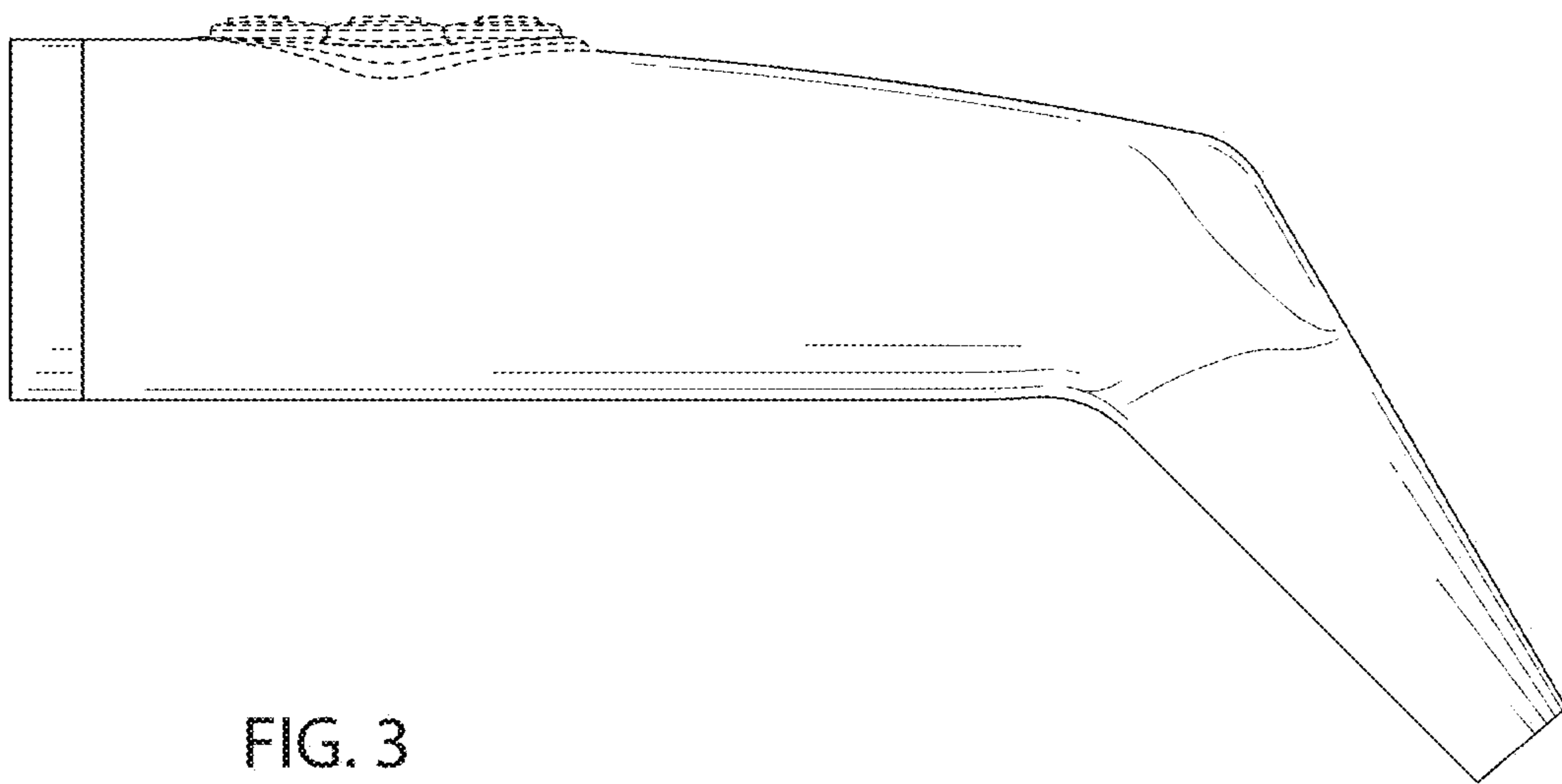


FIG. 3

FIG. 4

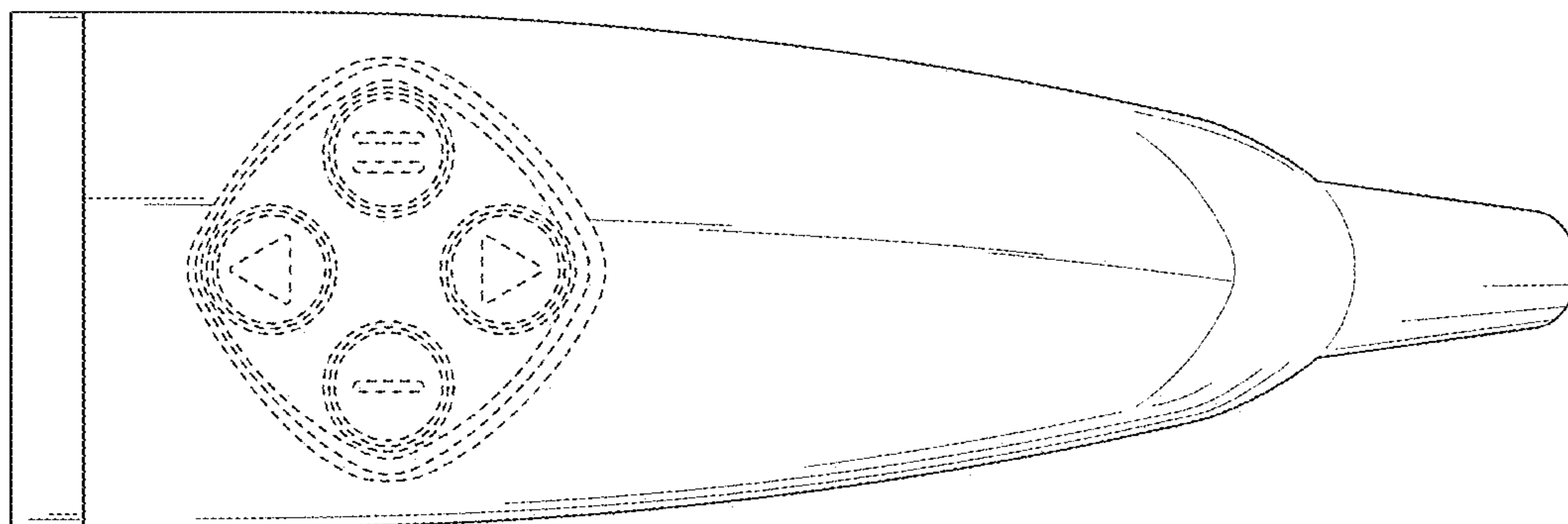
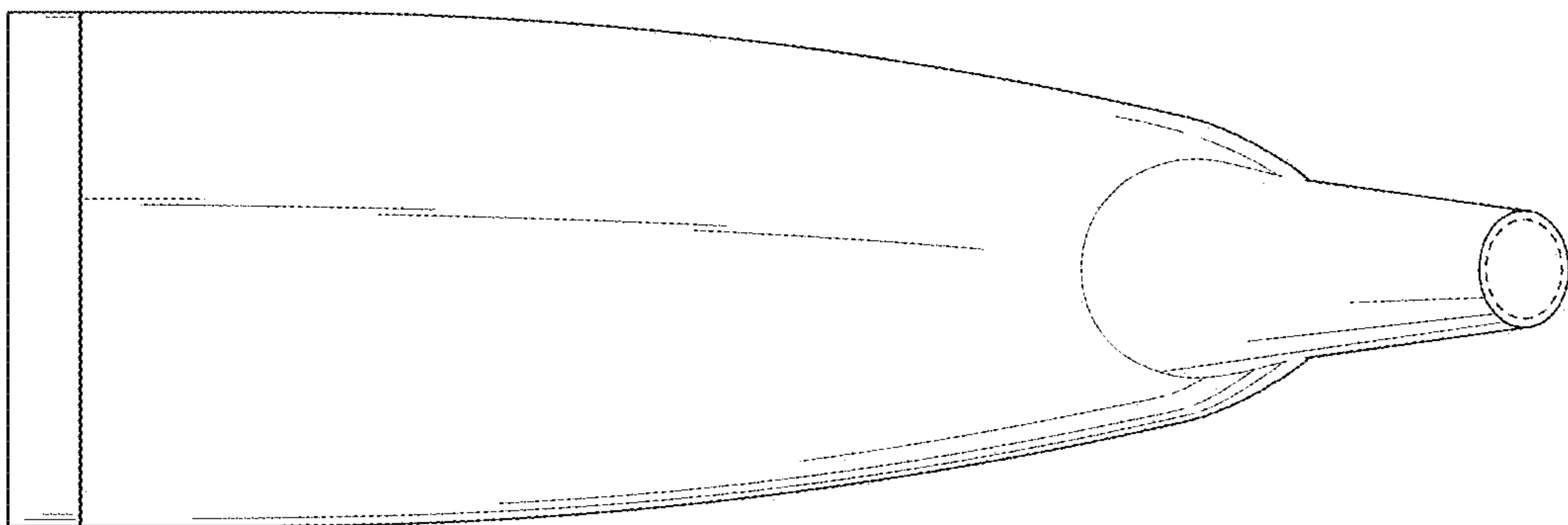


FIG. 5



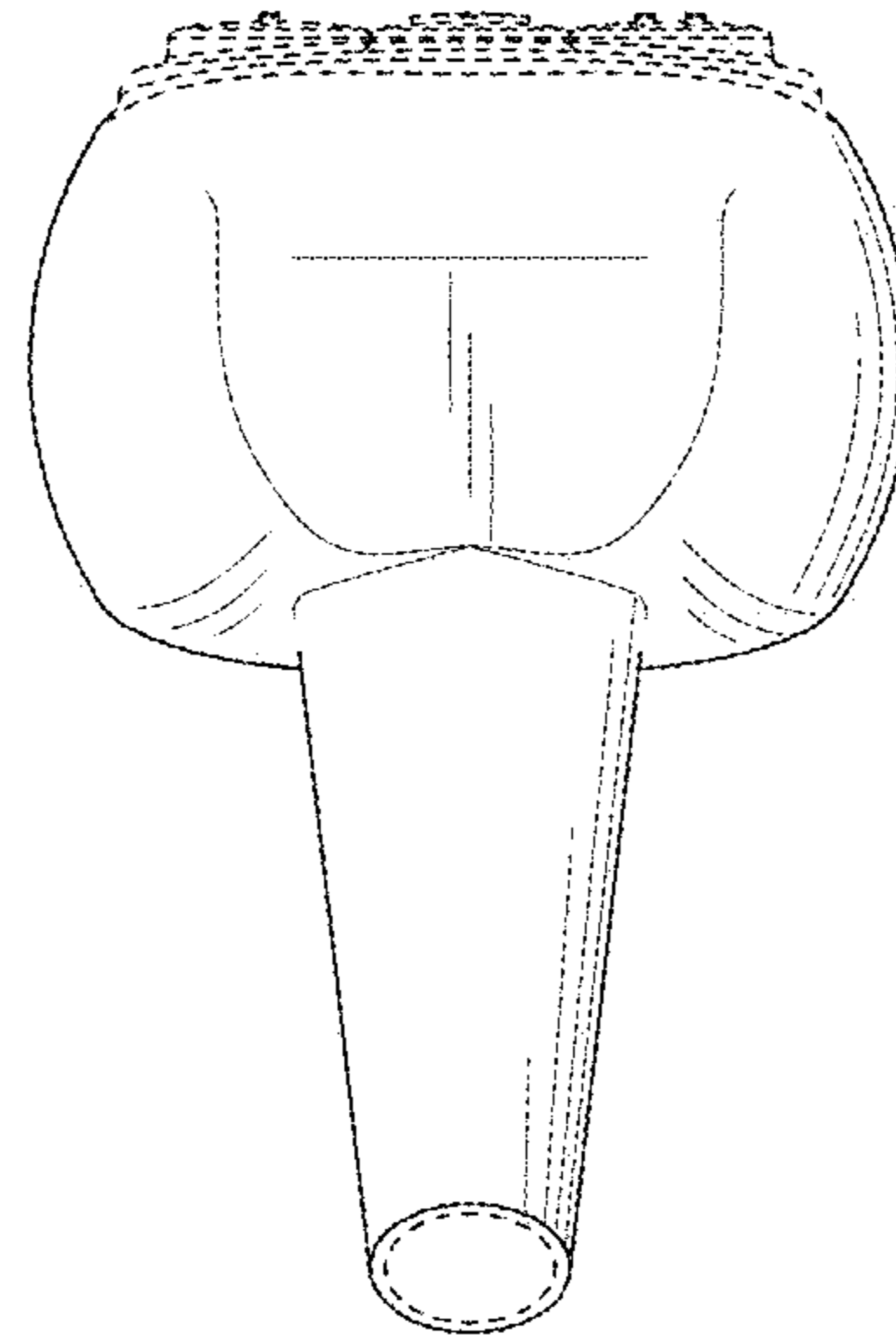


FIG. 6

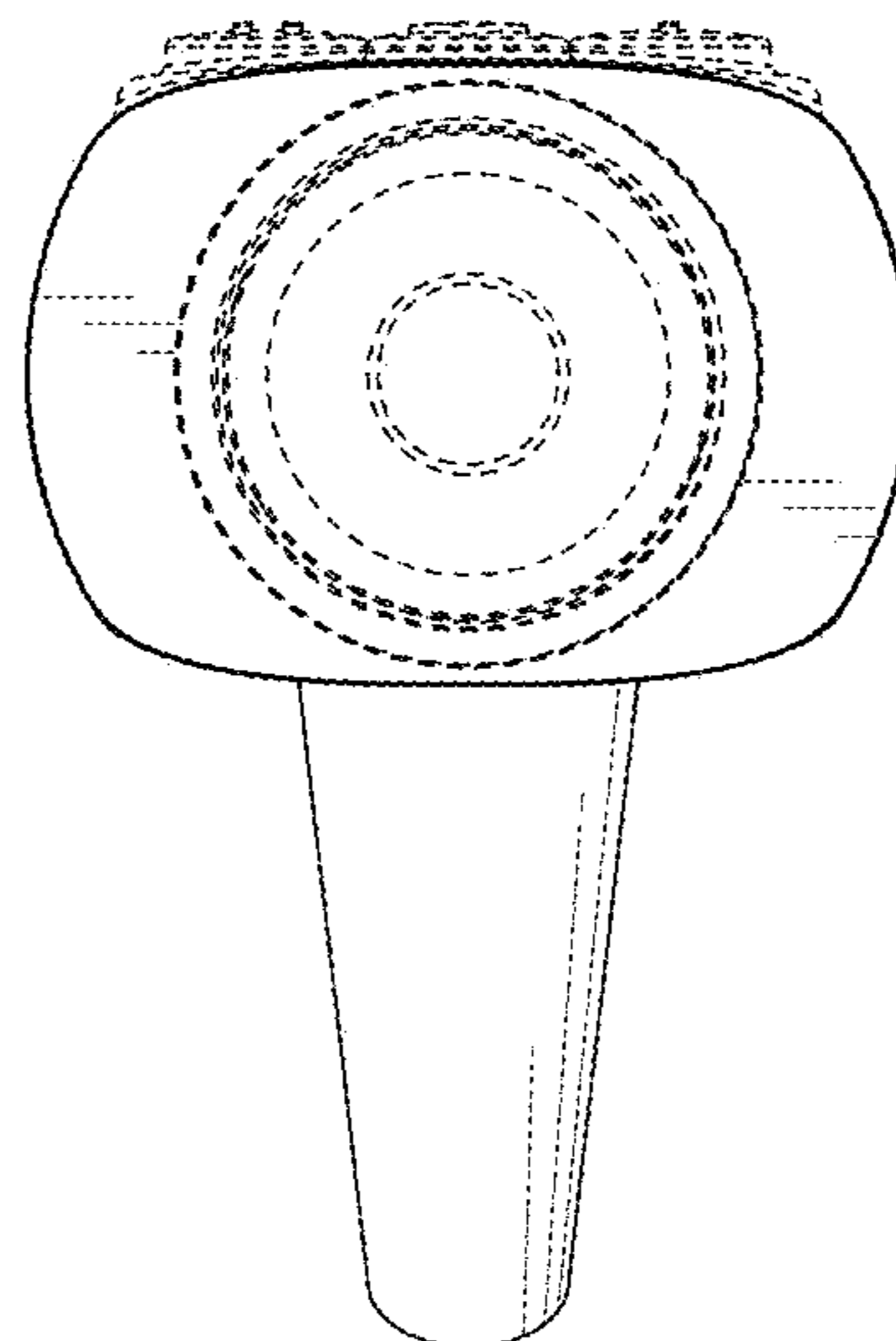


FIG. 7