



US00D943096S

(12) **United States Design Patent** (10) **Patent No.:** **US D943,096 S**
Lee et al. (45) **Date of Patent:** **** Feb. 8, 2022**

(54) **SURGICAL INSTRUMENT**

(71) Applicant: **LIVSMED INC.**, Seongnam-si (KR)

(72) Inventors: **Jung Joo Lee**, Yongin-si (KR); **Hee Jin Kim**, Seoul (KR); **Jin Ho Kwon**, Seongnam-si (KR)

(73) Assignee: **LIVSMED INC.**, Seongnam-si (KR)

(**) Term: **15 Years**

(21) Appl. No.: **29/676,682**

(22) Filed: **Jan. 14, 2019**

(30) **Foreign Application Priority Data**

Jul. 13, 2018 (KR) 30-2018-0032435

(51) **LOC (13) Cl.** **24-02**

(52) **U.S. Cl.**
USPC **D24/137**

(58) **Field of Classification Search**
USPC D24/127, 130, 133, 137, 146, 147, 106, D24/108, 109, 112, 187, 196, 200, 210, D24/214, 113, 114, 115, 116, 117, 134, D24/136; D8/14, 16, 19, 21, 34, 77, 82, D8/83, 84, 85, 86, 107, 300, 303, 314, D8/372, 374, 394

CPC A61B 2017/000398; A61B 2017/00473; A61B 2017/0046; A61B 2017/00464; A61B 2017/00477; A61B 2017/07285; A61B 17/2909; A61B 2017/0023; A61B 2017/2925; A61B 17/00; A61B 17/32; A61B 17/3212; A61B 17/29; A61B 2017/2927; A61B 34/71; A61B 34/70; A61B 17/00234; A61B 17/00491; A61B 17/122; A61B 17/1285; A61B 1/3132; F61H 9/06; Y10T 74/18832

See application file for complete search history.

(56) **References Cited**

U.S. PATENT DOCUMENTS

7,497,860	B2 *	3/2009	Carusillo	A61B 17/142
				606/82
D631,965	S *	2/2011	Price	D24/145
D666,291	S *	8/2012	Baehr	D24/133
D670,380	S *	11/2012	Sapalev	D24/133
D678,998	S *	3/2013	Galbriath	D24/108
D679,010	S *	3/2013	Kitayama	D24/133
D683,852	S *	6/2013	Gonzales	D24/133
D687,549	S *	8/2013	Johnson	D24/133
D717,949	S *	11/2014	Peschke	D24/133
D745,146	S *	12/2015	Hess	D24/133
D763,442	S *	8/2016	Price	D24/133
D777,914	S *	1/2017	Wapler	D24/133
D798,449	S *	9/2017	Canady	D24/138
D826,404	S *	8/2018	Baerthele	D24/138
10,624,662	B2 *	4/2020	Allen, IV	A61B 17/295

(Continued)

Primary Examiner — Manpreet S Matharu

Assistant Examiner — Yolanda Robinson

(74) *Attorney, Agent, or Firm* — Novick, Kim & Lee, PLLC; Sang Ho Lee; Hyun Woo Shin

(57) **CLAIM**

We claim the ornamental design for a surgical instrument, as shown and described.

DESCRIPTION

FIG. 1 is a perspective view of a surgical instrument, showing our new design;

FIG. 2 is a front elevational view thereof;

FIG. 3 is a rear elevational view thereof;

FIG. 4 is a left side elevational view thereof,

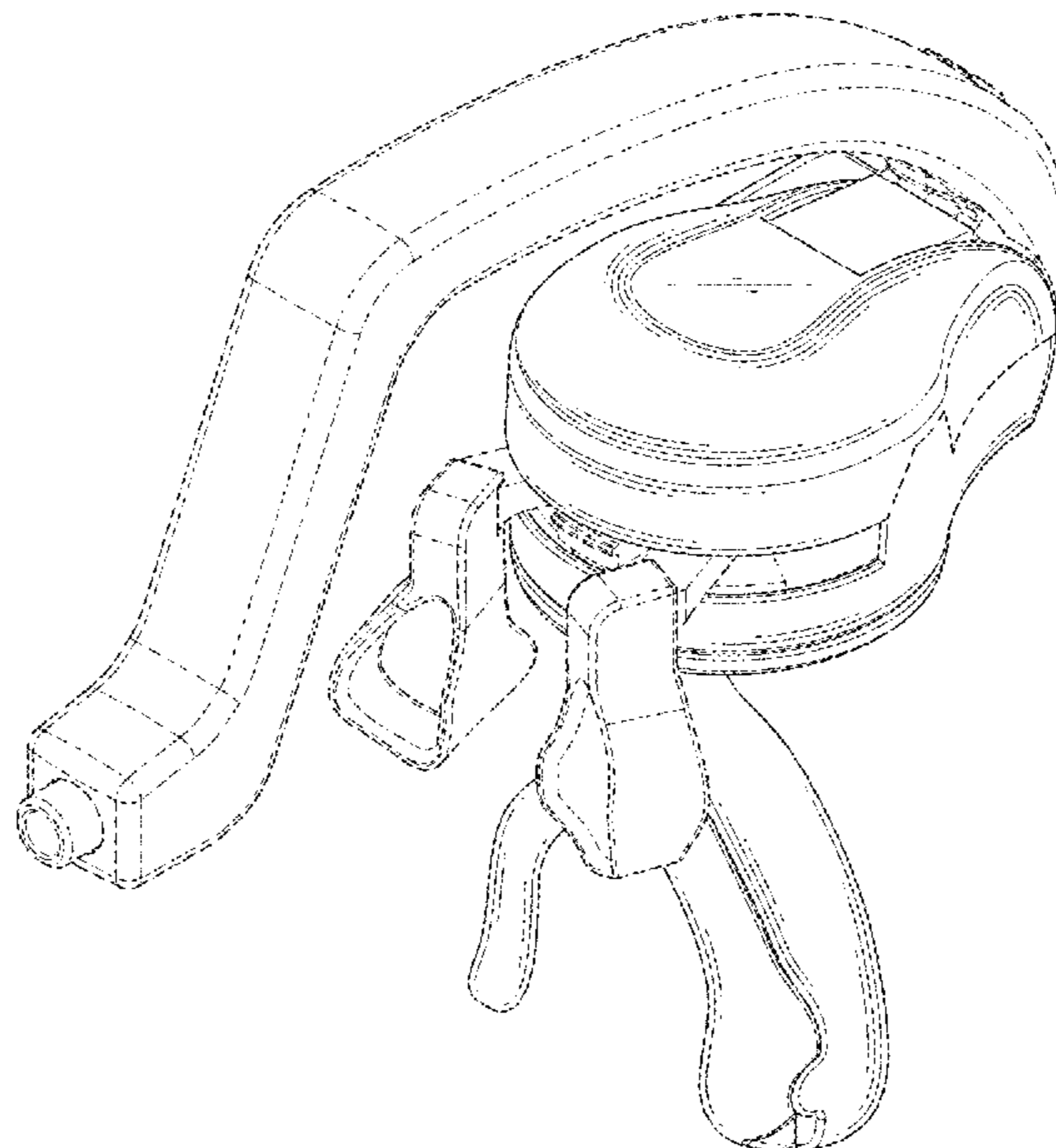
FIG. 5 is a right side elevational view thereof;

FIG. 6 is a top plan view thereof; and,

FIG. 7 is a bottom plan view thereof.

The broken lines in the drawings show portions of the surgical instrument or illustrate environmental structure which form no part of the claimed design.

1 Claim, 7 Drawing Sheets



(56)

References Cited

U.S. PATENT DOCUMENTS

D910,845 S * 2/2021 Kwon D24/133
2018/0110577 A1* 4/2018 Lee A61B 34/71

* cited by examiner

FIG. 1

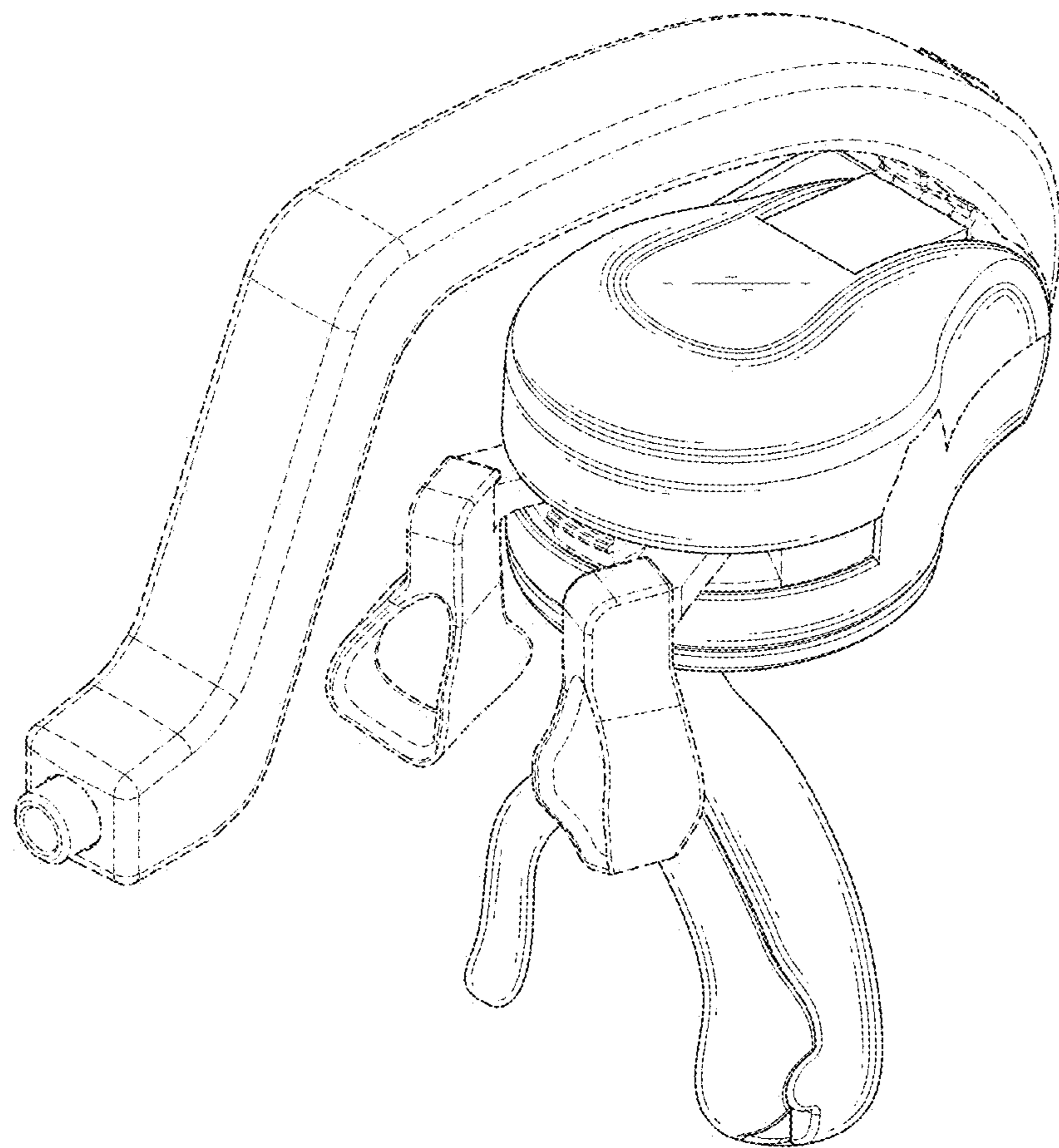


FIG. 2

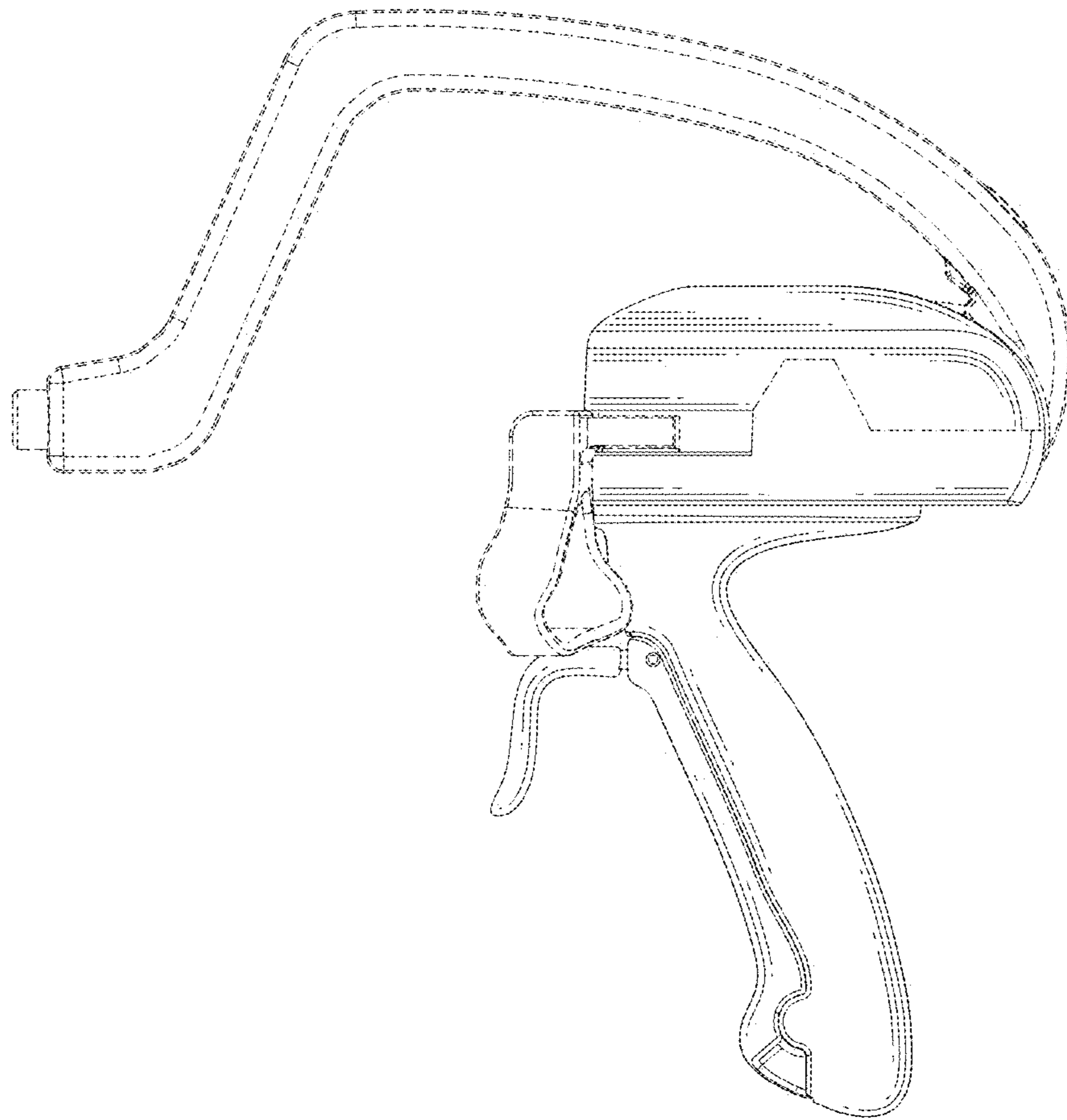


FIG. 3

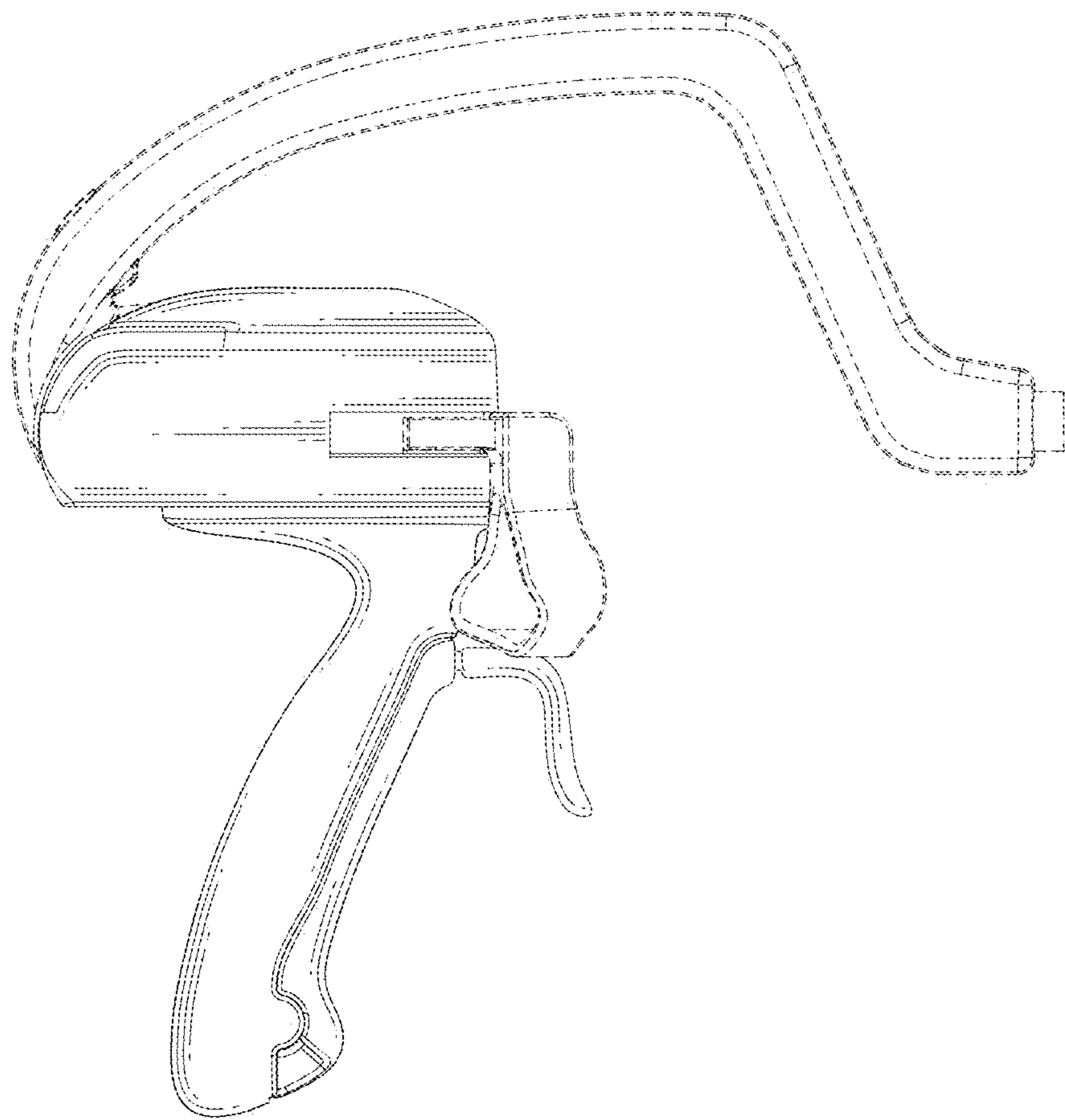


FIG. 4

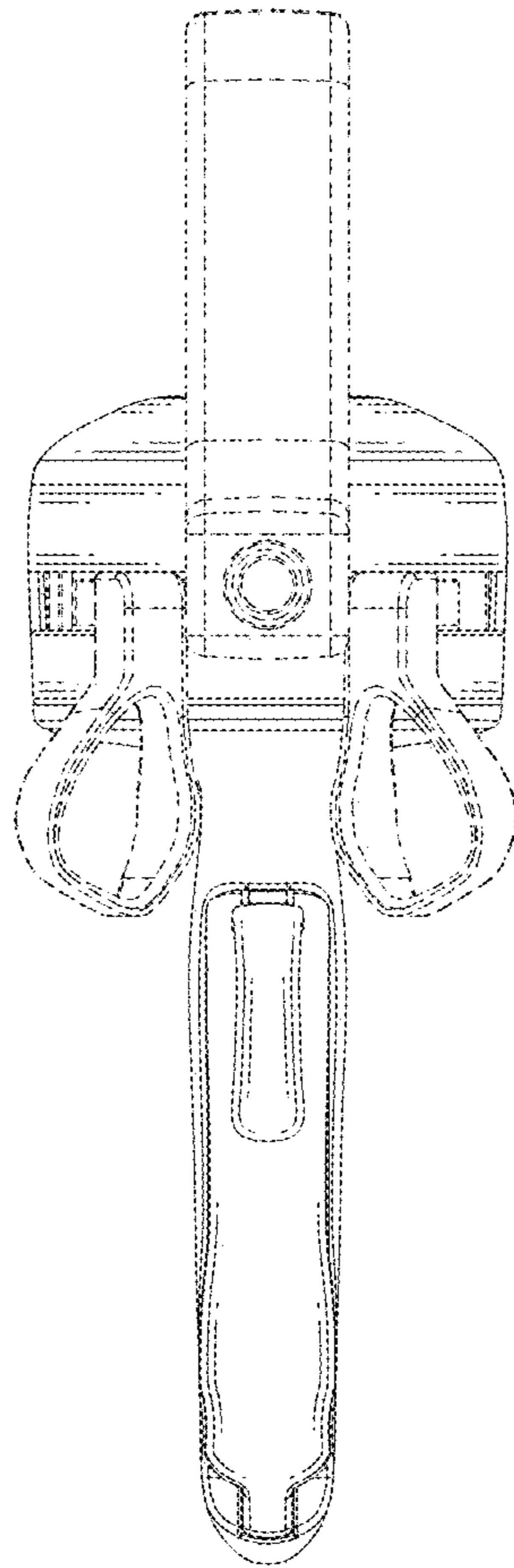


FIG. 5

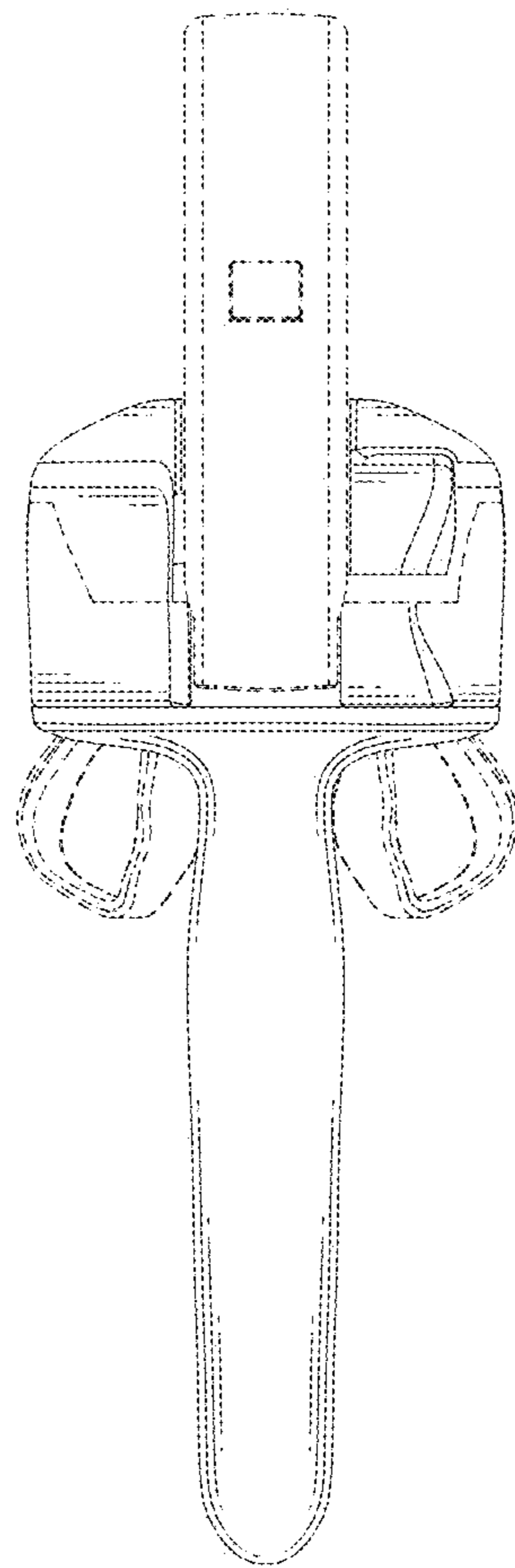


FIG. 6

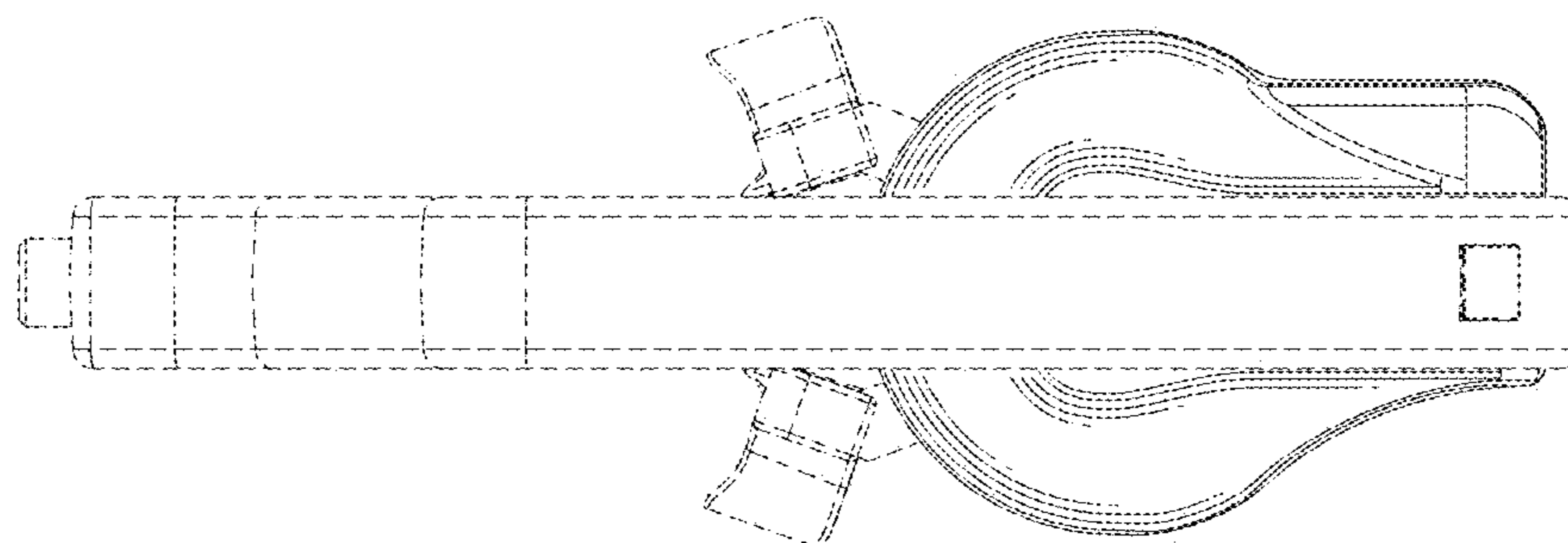


FIG. 7

