



US00D943094S

(12) **United States Design Patent** (10) **Patent No.:** **US D943,094 S**  
**Doerr** (45) **Date of Patent:** **\*\* Feb. 8, 2022**

(54) **MOUNT FOR AN INDICATOR OR INSTRUMENT**

D884,165 S \* 5/2020 deBock ..... D24/128  
D886,094 S \* 6/2020 Xu ..... D14/253  
D899,431 S \* 10/2020 Burns ..... D14/447

(Continued)

(71) Applicant: **Robert Bosch GmbH**, Stuttgart (DE)

*Primary Examiner* — Natasha Vujcic

(72) Inventor: **Daniel Doerr**, Stuttgart (DE)

*Assistant Examiner* — Gilbert B Ford

(73) Assignee: **Robert Bosch GmbH**, Stuttgart (DE)

(74) *Attorney, Agent, or Firm* — Maginot, Moore & Beck LLP

(\*\*) Term: **15 Years**

(57) **CLAIM**

(21) Appl. No.: **29/724,414**

The ornamental design for a mount for an indicator or instrument, as shown and described.

(22) Filed: **Feb. 14, 2020**

**DESCRIPTION**

(30) **Foreign Application Priority Data**

Aug. 16, 2019 (EM) ..... 006731261

(51) **LOC (13) Cl.** ..... **24-02**

(52) **U.S. Cl.**  
USPC ..... **D24/128**; D14/238

(58) **Field of Classification Search**  
USPC ..... D24/128; D13/107; D14/434, 371, 238,  
D14/217, 224, 251–253, 440, 447, 451,  
D14/452; D12/415; D10/98  
See application file for complete search history.

Cross reference is made to copending U.S. design patent application Ser. No. 29/724,415 entitled “Mount for an Indicator or Instrument” by Daniel Doerr, which was filed on even date herewith; and to copending U.S. design patent application Ser. No. 29/724,417 entitled “Mount for an Indicator or Instrument” by Daniel Doerr, which was filed on even date herewith.

FIG. 1 is a perspective view of a mount for an indicator or instrument showing my new design;

FIG. 2 is a right side elevational view of the mount for an indicator or instrument of FIG. 1;

FIG. 3 is a left side elevational view of the mount for an indicator or instrument of FIG. 1;

FIG. 4 is a top plan view of the mount for an indicator or instrument of FIG. 1;

FIG. 5 is a bottom plan view of the mount for an indicator or instrument of FIG. 1;

FIG. 6 is a front side elevational view of the mount for an indicator or instrument of FIG. 1; and,

FIG. 7 is a rear side elevational view of the mount for an indicator or instrument of FIG. 1.

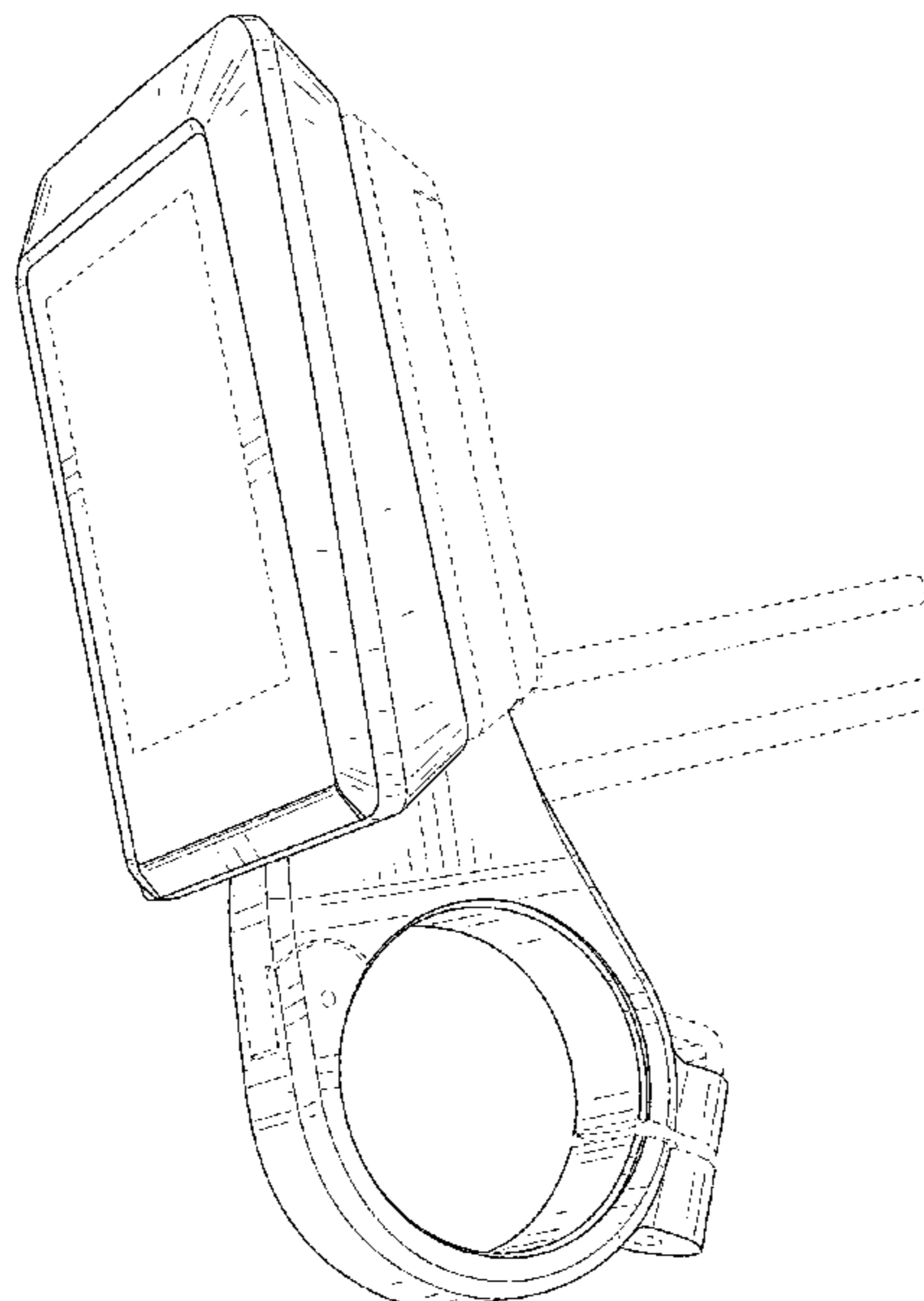
The broken lines shown in the drawings illustrate portions of the mount for an indicator or instrument that form no part of the claimed design.

(56) **References Cited**

U.S. PATENT DOCUMENTS

D547,863 S \* 7/2007 Heinsch ..... D24/128  
D569,973 S \* 5/2008 Oren ..... D24/133  
D609,030 S \* 2/2010 Barabas ..... D14/238  
D676,371 S \* 2/2013 Son ..... D12/415  
D749,549 S \* 2/2016 Wengreen ..... D14/238.1  
D796,735 S \* 9/2017 Foleghi ..... D27/107  
D808,021 S \* 1/2018 Coonahan ..... D24/186  
D845,960 S \* 4/2019 Yao ..... D14/447  
10,315,585 B2 \* 6/2019 Minn ..... F16B 2/065  
D858,509 S \* 9/2019 Yao ..... D14/253  
D859,395 S \* 9/2019 Yao ..... D14/253  
D873,814 S \* 1/2020 Yang ..... D14/253

**1 Claim, 6 Drawing Sheets**



(56)

**References Cited**

U.S. PATENT DOCUMENTS

D921,202 S \* 6/2021 Al-Ali ..... D24/165  
2012/0223196 A1\* 9/2012 Musselman ..... B60R 11/02  
248/220.21  
2013/0048811 A1\* 2/2013 Tseng ..... F16M 13/02  
248/220.21  
2015/0336682 A1\* 11/2015 Farnes ..... F16M 11/2028  
248/291.1  
2017/0072872 A1\* 3/2017 Balmer ..... F16M 11/14  
2018/0043840 A1\* 2/2018 Minn ..... B60R 11/02  
2020/0254940 A1\* 8/2020 Dang ..... B60R 11/0252

\* cited by examiner

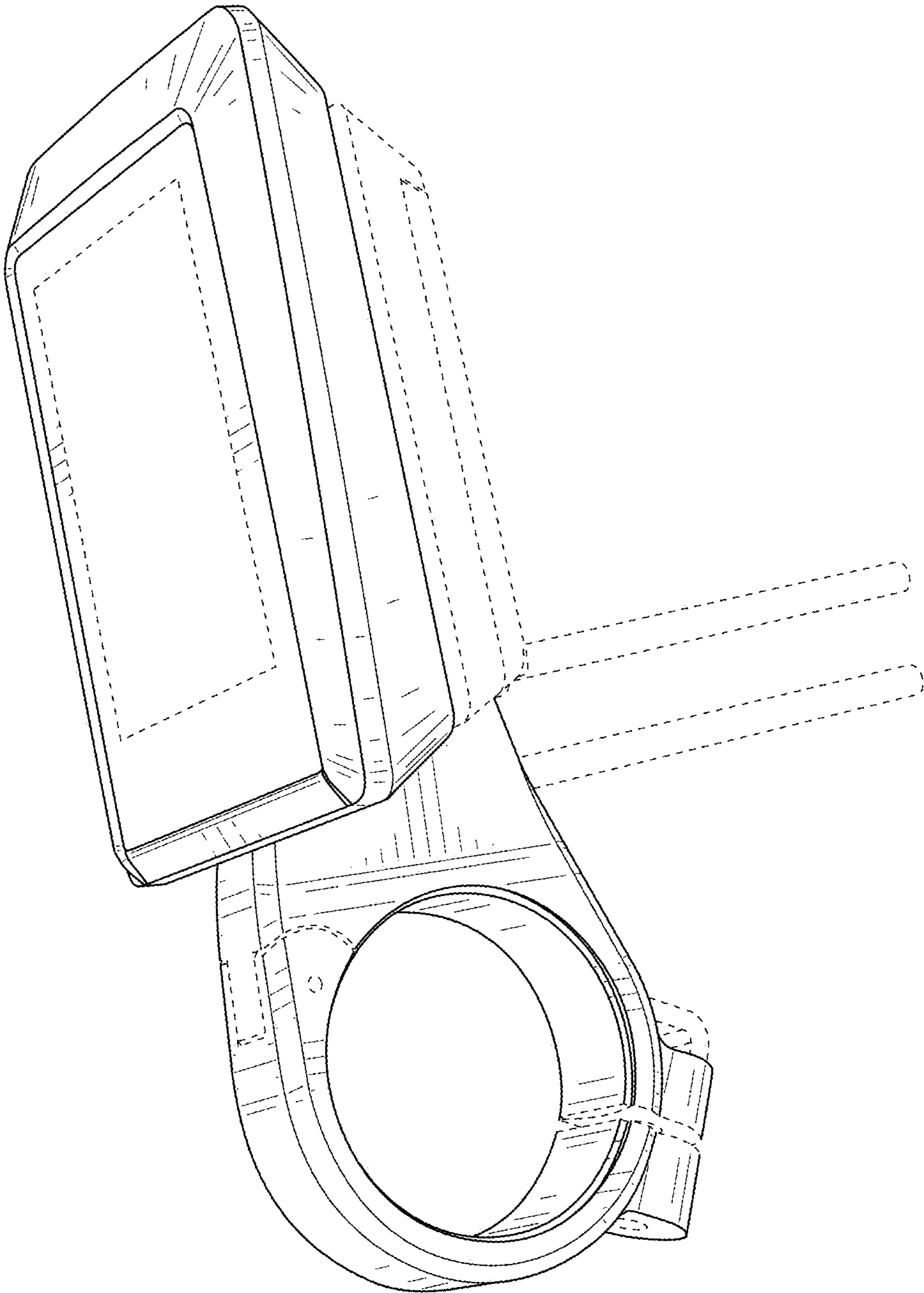


FIG. 1

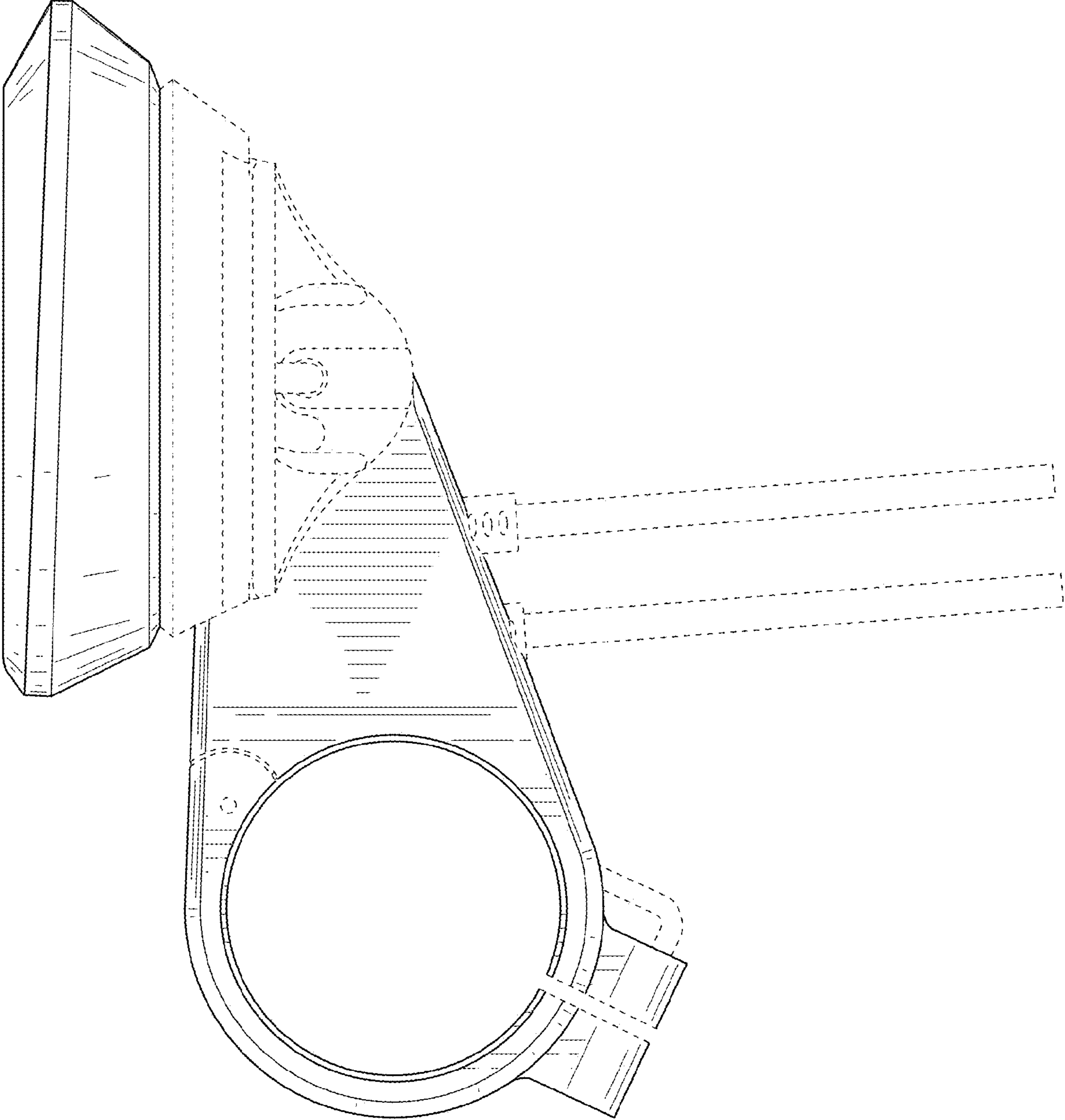


FIG. 2

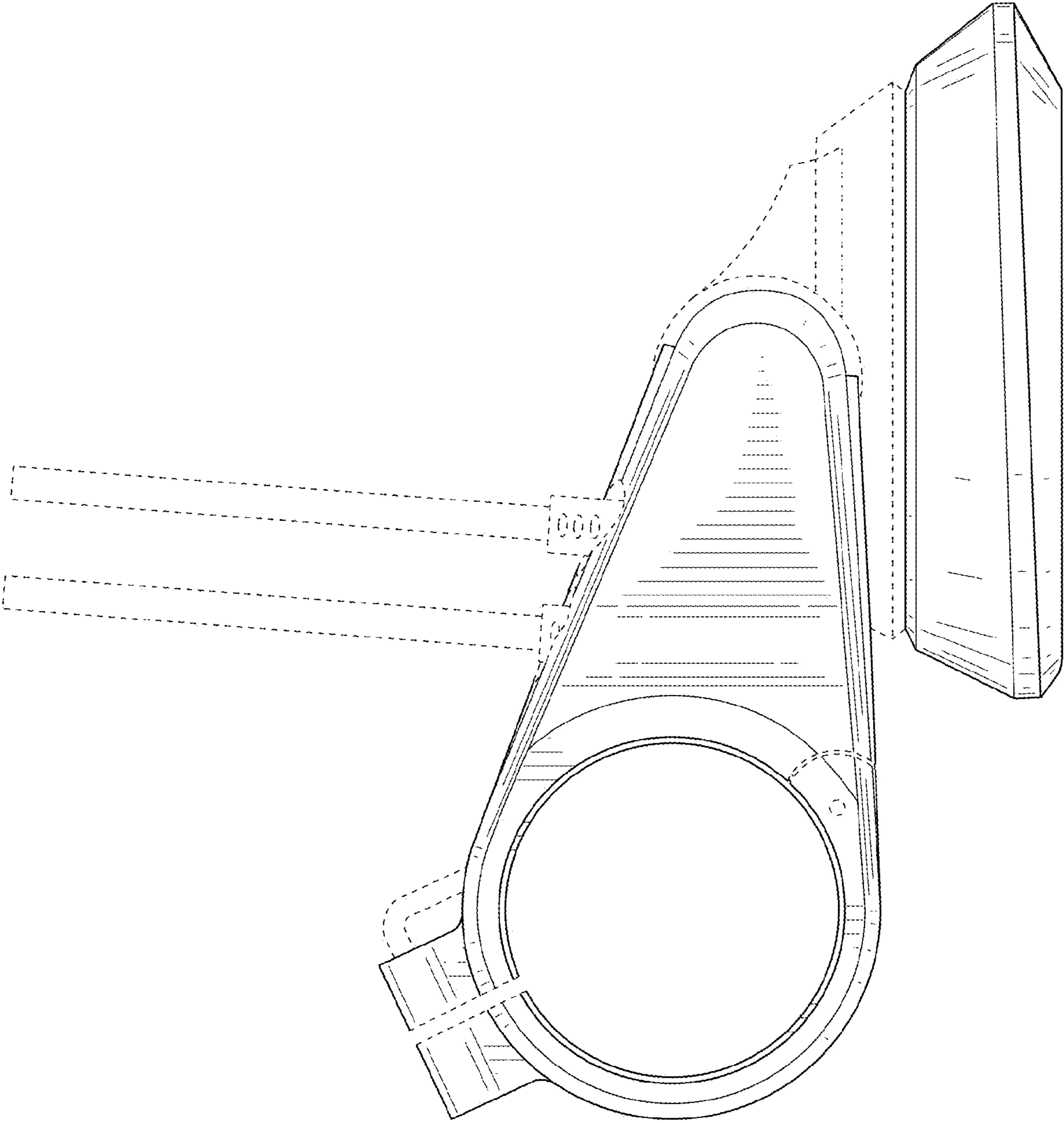


FIG. 3

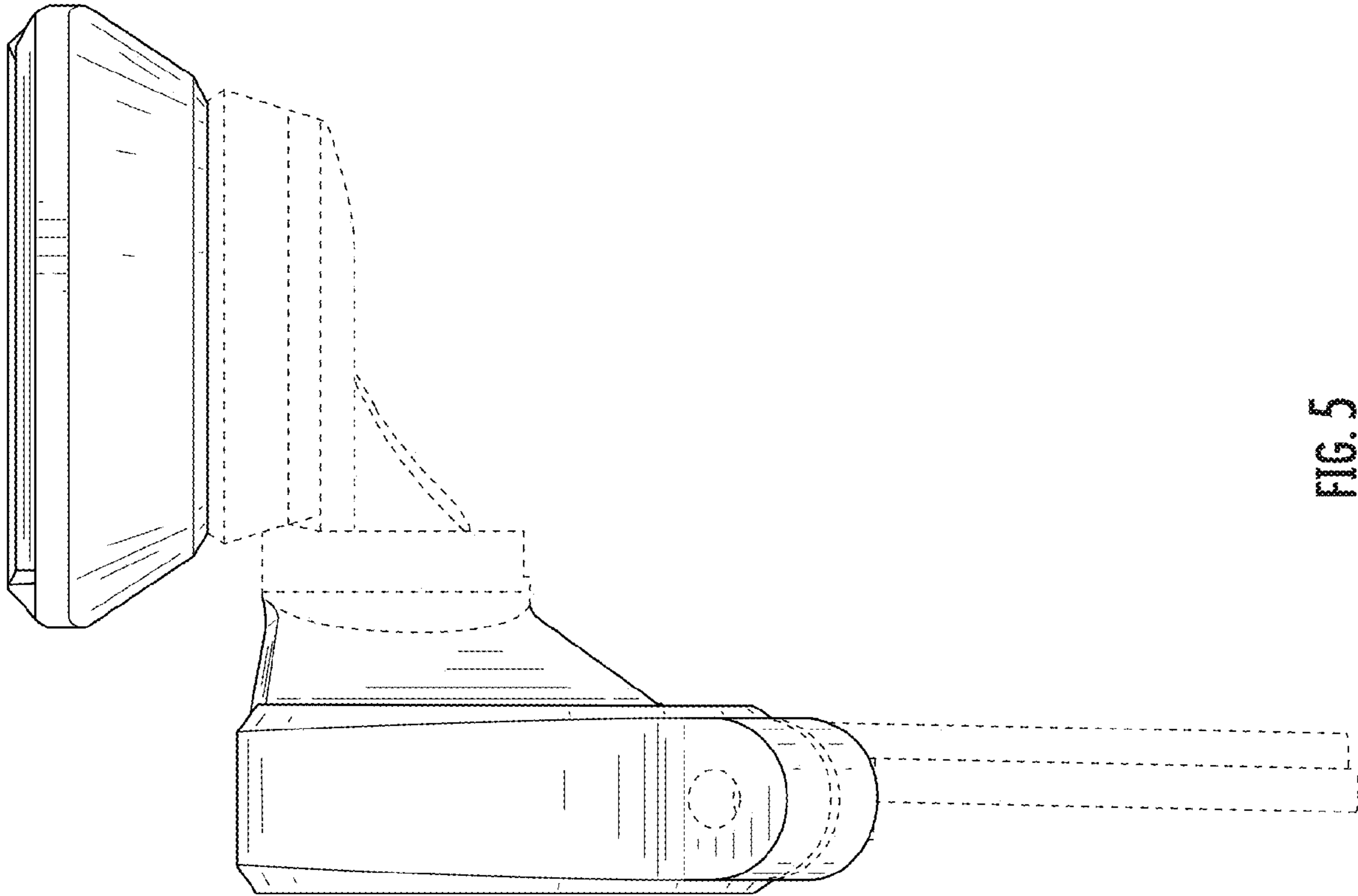


FIG. 5

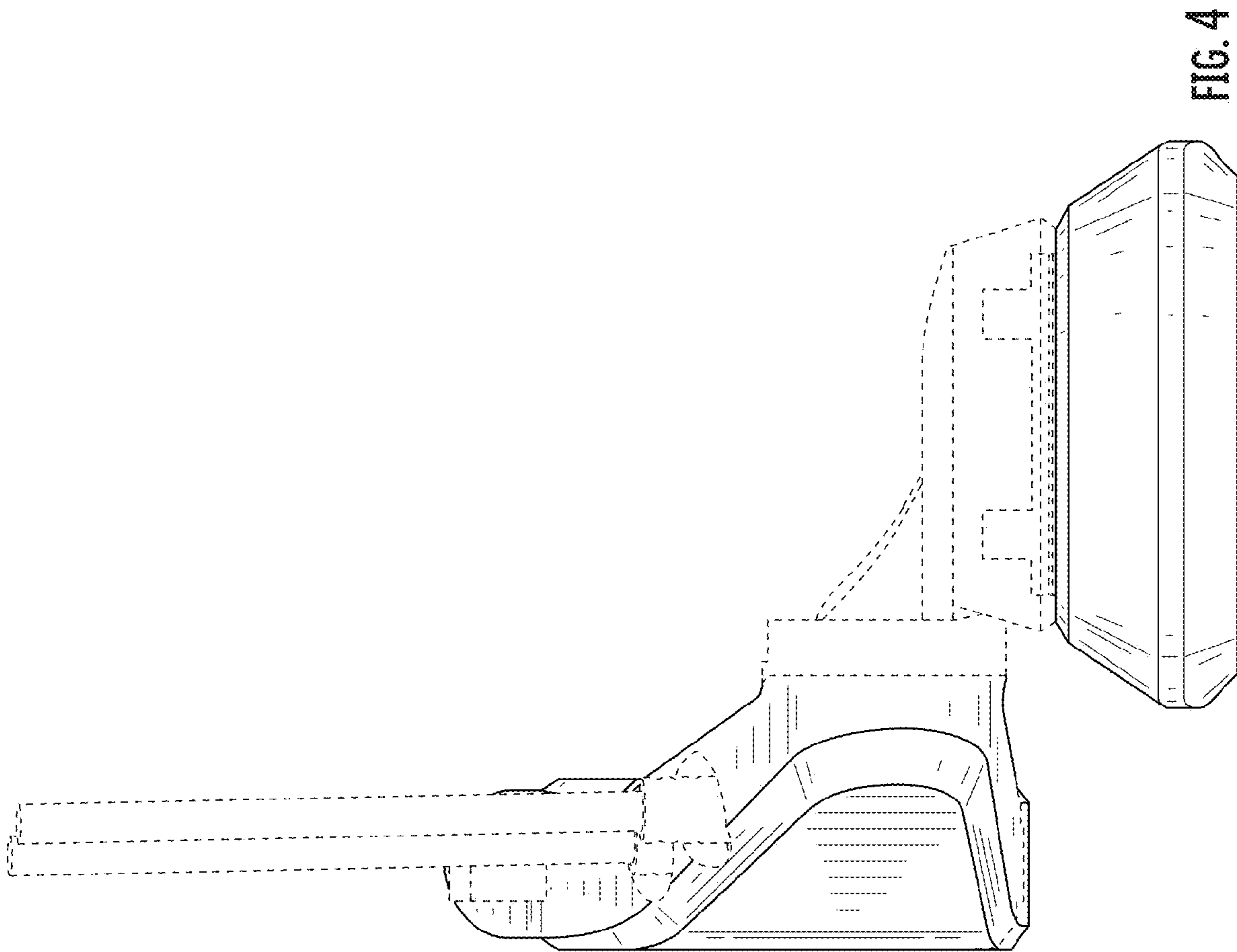


FIG. 4

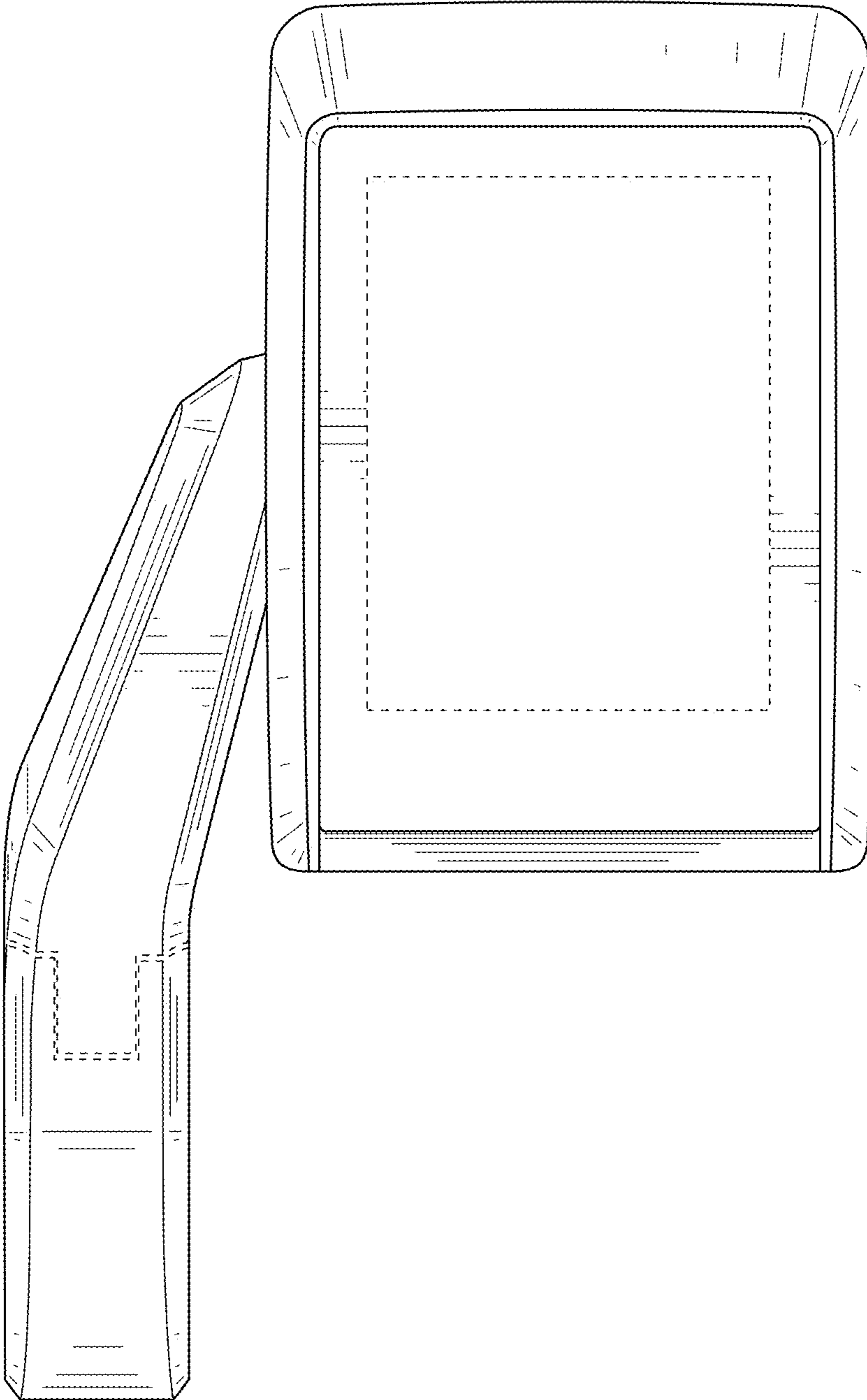


FIG. 6

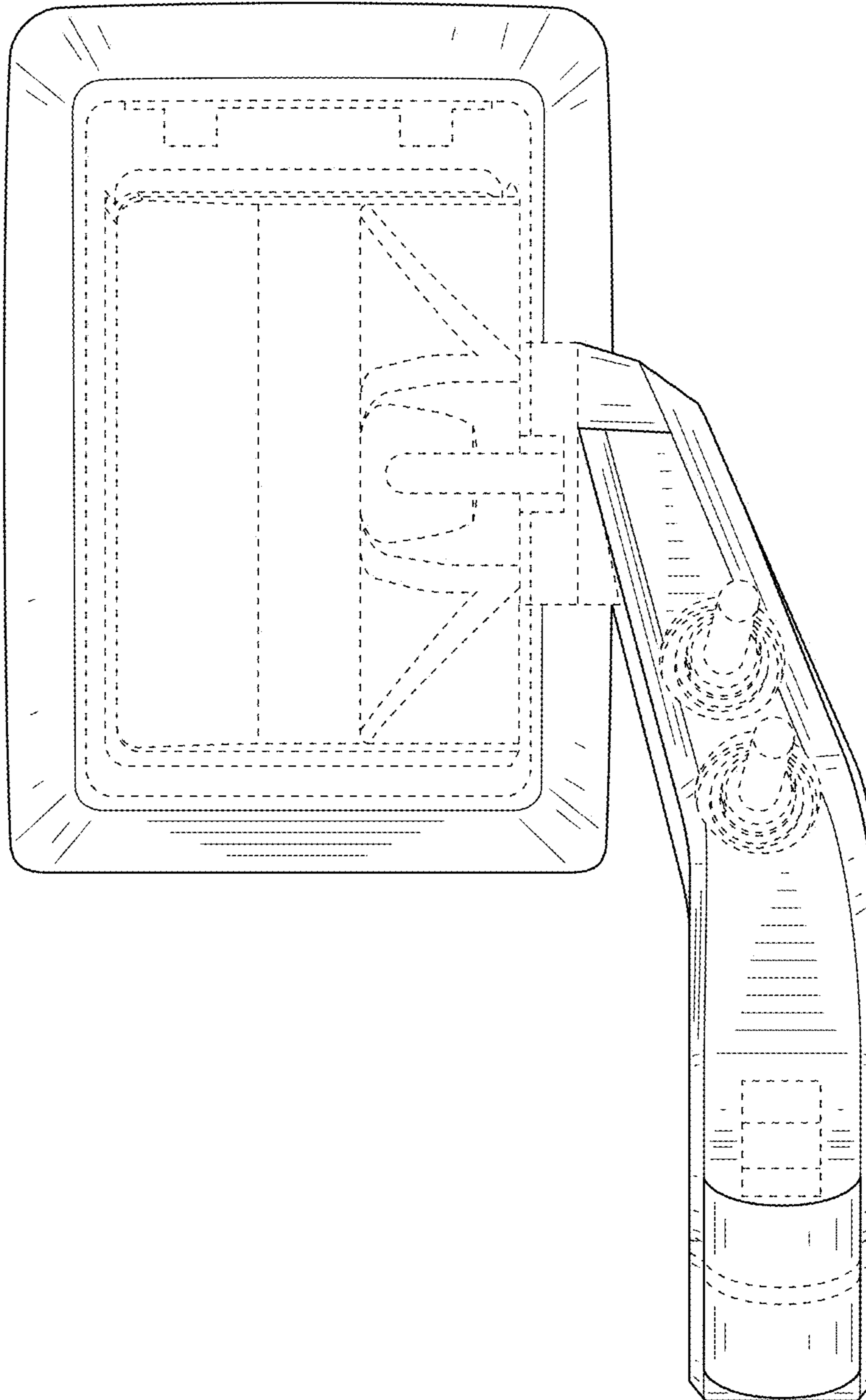


FIG. 7