



US00D943091S

(12) **United States Design Patent**
Dehmlow

(10) **Patent No.:** **US D943,091 S**

(45) **Date of Patent:** **** Feb. 8, 2022**

(54) **MEDICAL BAG**

(71) Applicant: **Ann M. Dehmlow**, Wonder Lake, IL
(US)

(72) Inventor: **Ann M. Dehmlow**, Wonder Lake, IL
(US)

(**) Term: **15 Years**

(21) Appl. No.: **29/650,414**

(22) Filed: **Jun. 6, 2018**

(51) **LOC (13) Cl.** **24-02**

(52) **U.S. Cl.**
USPC **D24/118**

(58) **Field of Classification Search**
USPC D24/118, 108, 121, 122, 127, 128, 224;
D3/233; D9/414, 416, 431, 432, 435,
D9/444, 455, 460, 499, 517, 518, 522,
D9/702, 703, 704, 705, 706, 707, 708,
D9/709, 710, 711, 712, 713, 714, 719,
D9/738, 739, 740
CPC A61F 5/4405; A61F 5/44; A61F 5/455;
A61F 5/4407; A61F 1/2031; A61M
1/0019; Y10S 128/24; A61J 1/10; A61J
1/1406; A61J 1/475; A61J 1/2093; A61J
1/2096

See application file for complete search history.

(56) **References Cited**

U.S. PATENT DOCUMENTS

8,343,128 B2 * 1/2013 Nagao A61J 1/2093
604/410
D699,343 S * 2/2014 Clements D24/118

D777,323 S * 1/2017 Honda D24/118
D784,521 S * 4/2017 Nordquist D24/118
D785,165 S * 4/2017 Nordquist D24/118
D792,964 S * 7/2017 McConnell D24/118
D814,941 S * 4/2018 Conrardy D9/737
D900,311 S * 10/2020 Henaut D24/118
D908,869 S * 1/2021 Kumar D24/118
D910,838 S * 2/2021 Zhang D24/118
D913,489 S * 3/2021 Bregeon D24/118
2020/0046543 A1 * 2/2020 Scalise A61F 5/4405

* cited by examiner

Primary Examiner — Samantha Q Lawrence

(74) *Attorney, Agent, or Firm* — Perkins Coie LLP

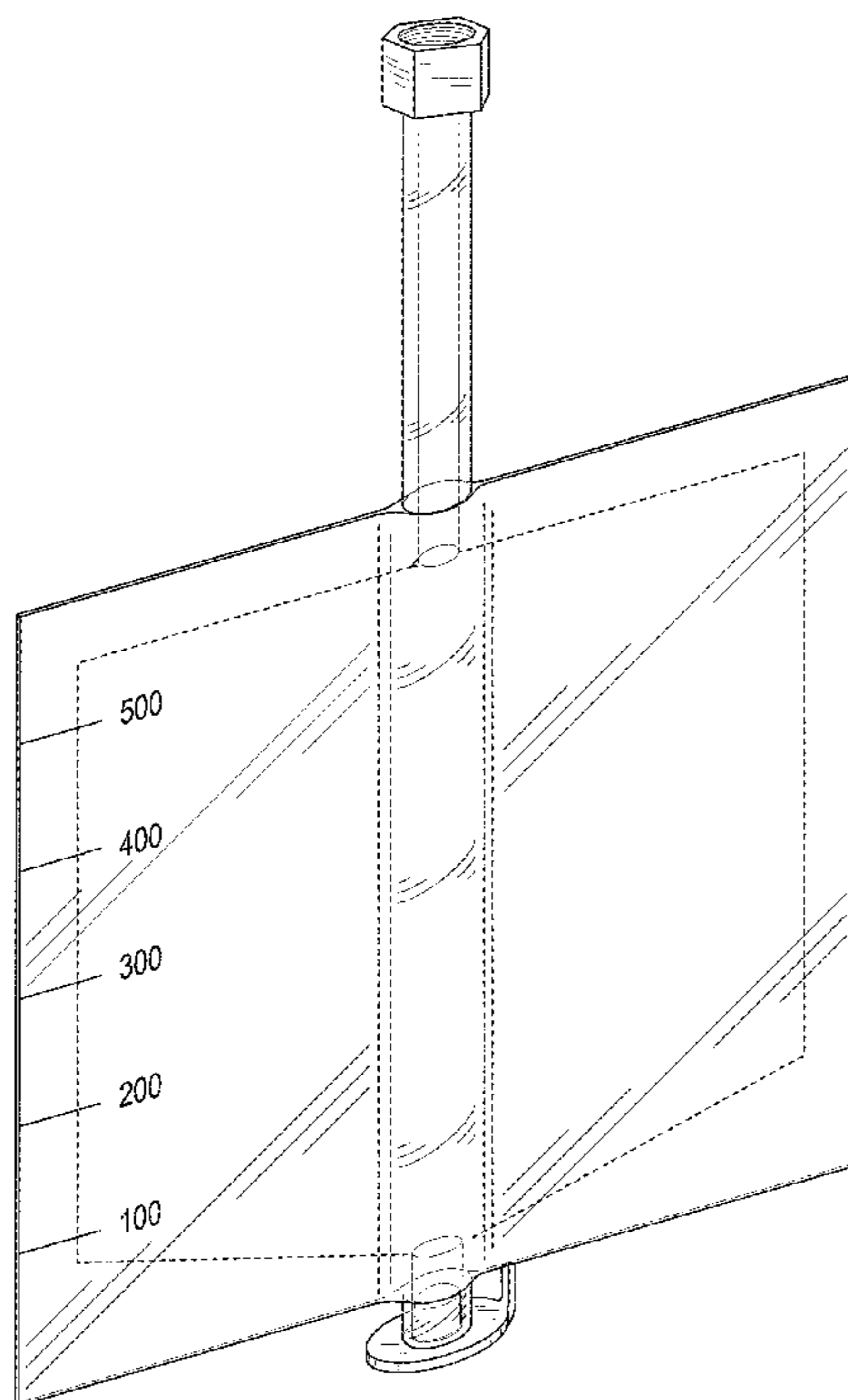
(57) **CLAIM**

The ornamental design for a medical bag, as shown and described.

DESCRIPTION

FIG. 1 is a top and front perspective view of the medical bag, showing the new design;
FIG. 2 is a front view of the medical bag of FIG. 1;
FIG. 3 is a back view of the medical bag of FIG. 1;
FIG. 4 is a left side view of the medical bag of FIG. 1;
FIG. 5 is a right side view of the medical bag of FIG. 1;
FIG. 6 is a top view of the medical bag of FIG. 1; and,
FIG. 7 is a bottom view of the medical bag of FIG. 1.
The broken lines shown in FIGS. 1-7 illustrate portions of the medical bag that form no part of the claimed design.

1 Claim, 5 Drawing Sheets



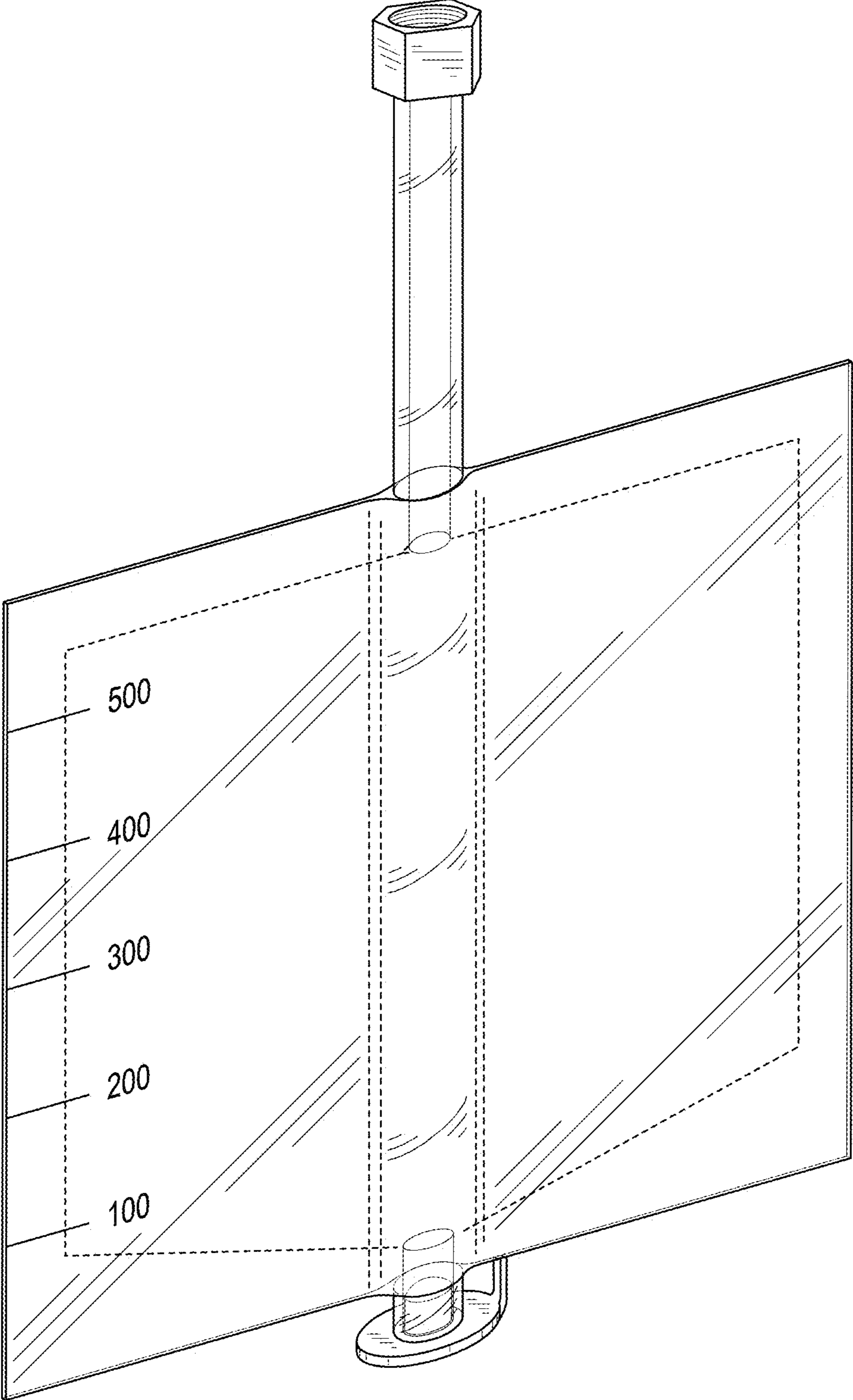


FIG. 1

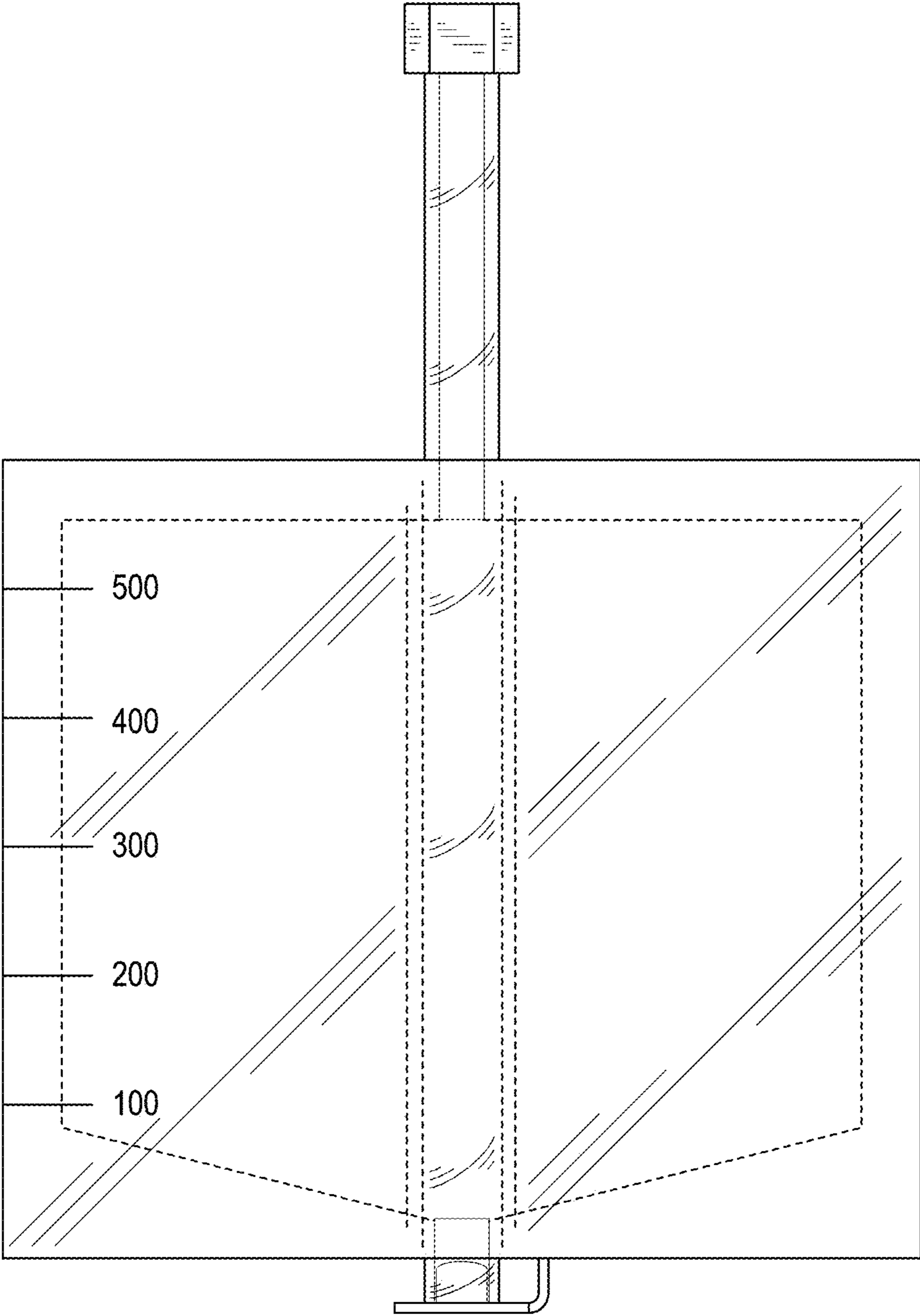


FIG. 2

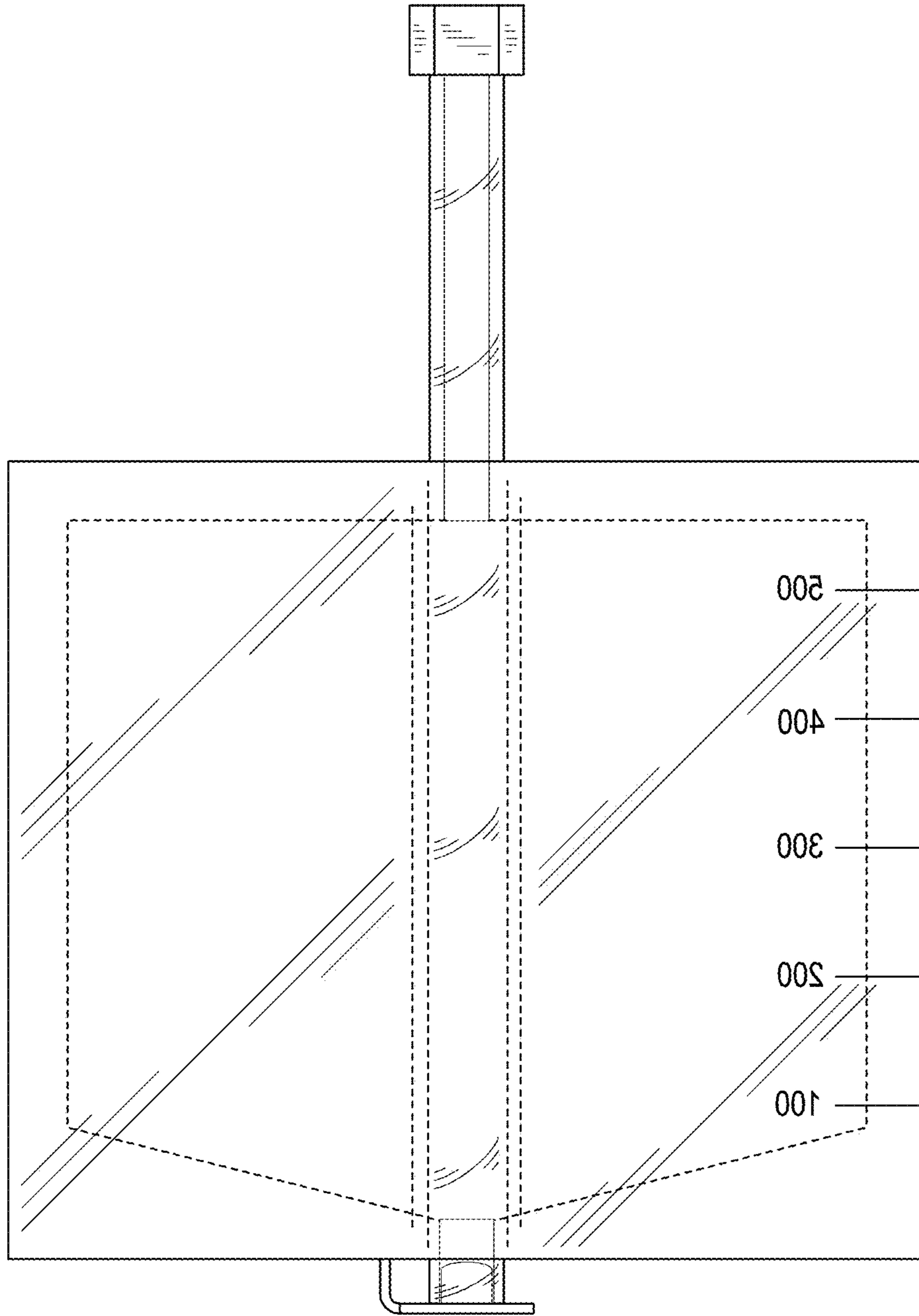


FIG. 3

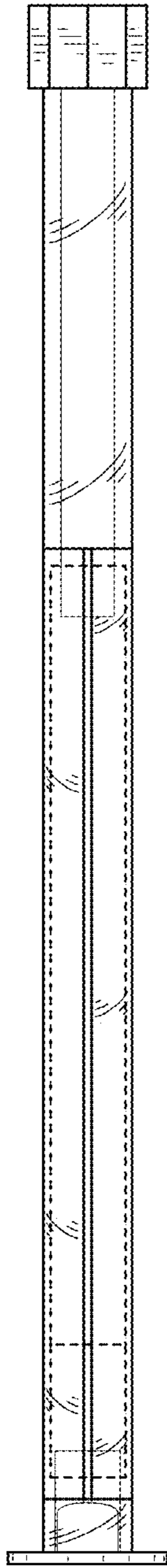


FIG. 4

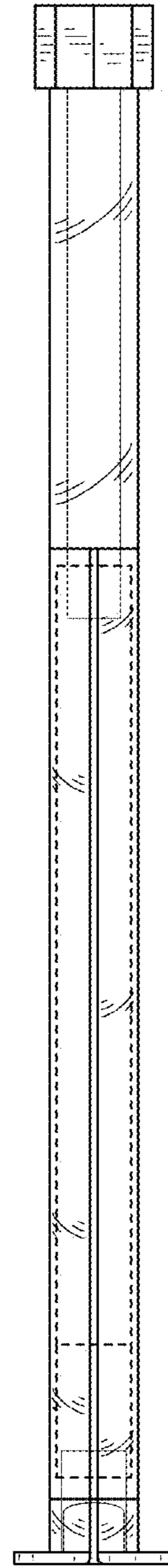


FIG. 5

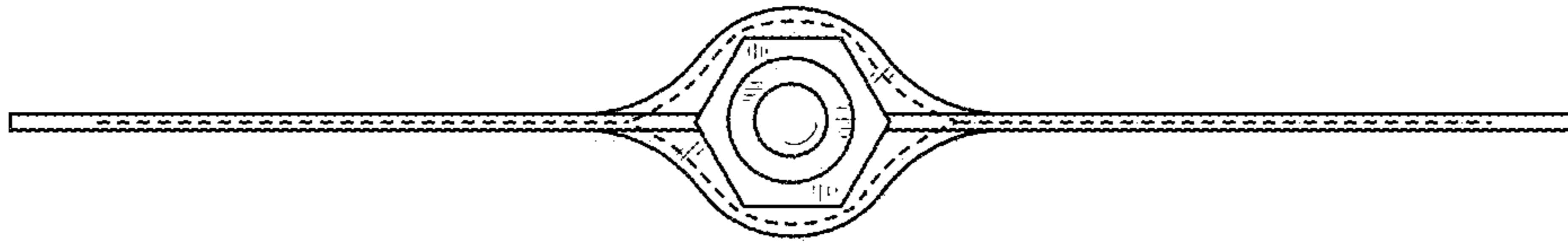


FIG. 6

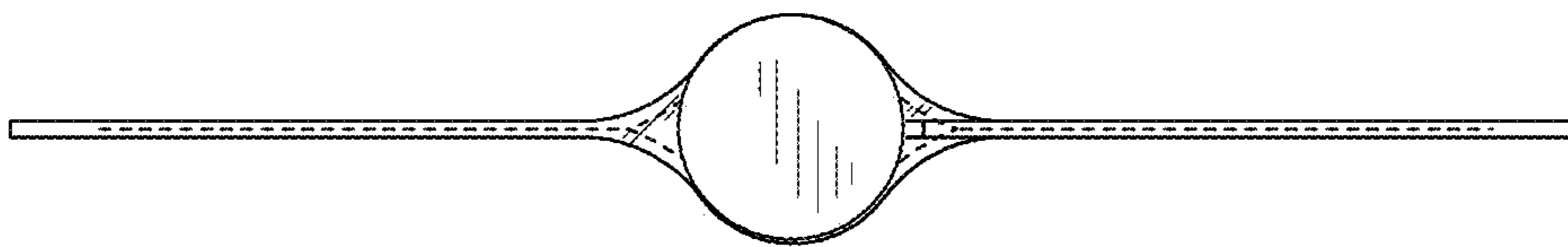


FIG. 7