



US00D943089S

(12) **United States Design Patent** (10) **Patent No.:** **US D943,089 S**
Hu (45) **Date of Patent:** **** Feb. 8, 2022**

(54) **SNORKEL MASK**

FOREIGN PATENT DOCUMENTS

(71) Applicant: **Dongguan RenTong Silicon Plastic Products Co., Ltd.**, Dongguan (CN)

CN 302731798 * 2/2014
CN 305699130 * 4/2020
CN 306176558 * 11/2020

(72) Inventor: **Guoren Hu**, Dongguan (CN)

(**) Term: **15 Years**

OTHER PUBLICATIONS

(21) Appl. No.: **29/741,161**

[ScubaMax Abaco Oversize Single Lens Dive Mask], Amazon.com, Date First Available: Aug. 31, 2009 [online], Customer Review Oldest Date: Date [online], site visited: [Nov. 4, 2021], URL: <<https://www.amazon.com/dp/B00M8TATFW>>. (Year: 2009).*

(22) Filed: **Jul. 10, 2020**

(Continued)

(51) **LOC (13) Cl.** **29-02**

(52) **U.S. Cl.**
USPC **D24/110.2**

(58) **Field of Classification Search**
USPC D24/110.1, 110.2, 110.3; D29/108, 109, D29/110; D16/101, 300-339
CPC B63C 11/12; B63C 11/16; A63B 33/002; G02C 1/00
See application file for complete search history.

Primary Examiner — T Chase Nelson
Assistant Examiner — Amanda J Berlinski
(74) *Attorney, Agent, or Firm* — Prakash Nama; Global IP Services, PLLC

(57) **CLAIM**

The ornamental design for a snorkel mask, as shown.

(56) **References Cited**

DESCRIPTION

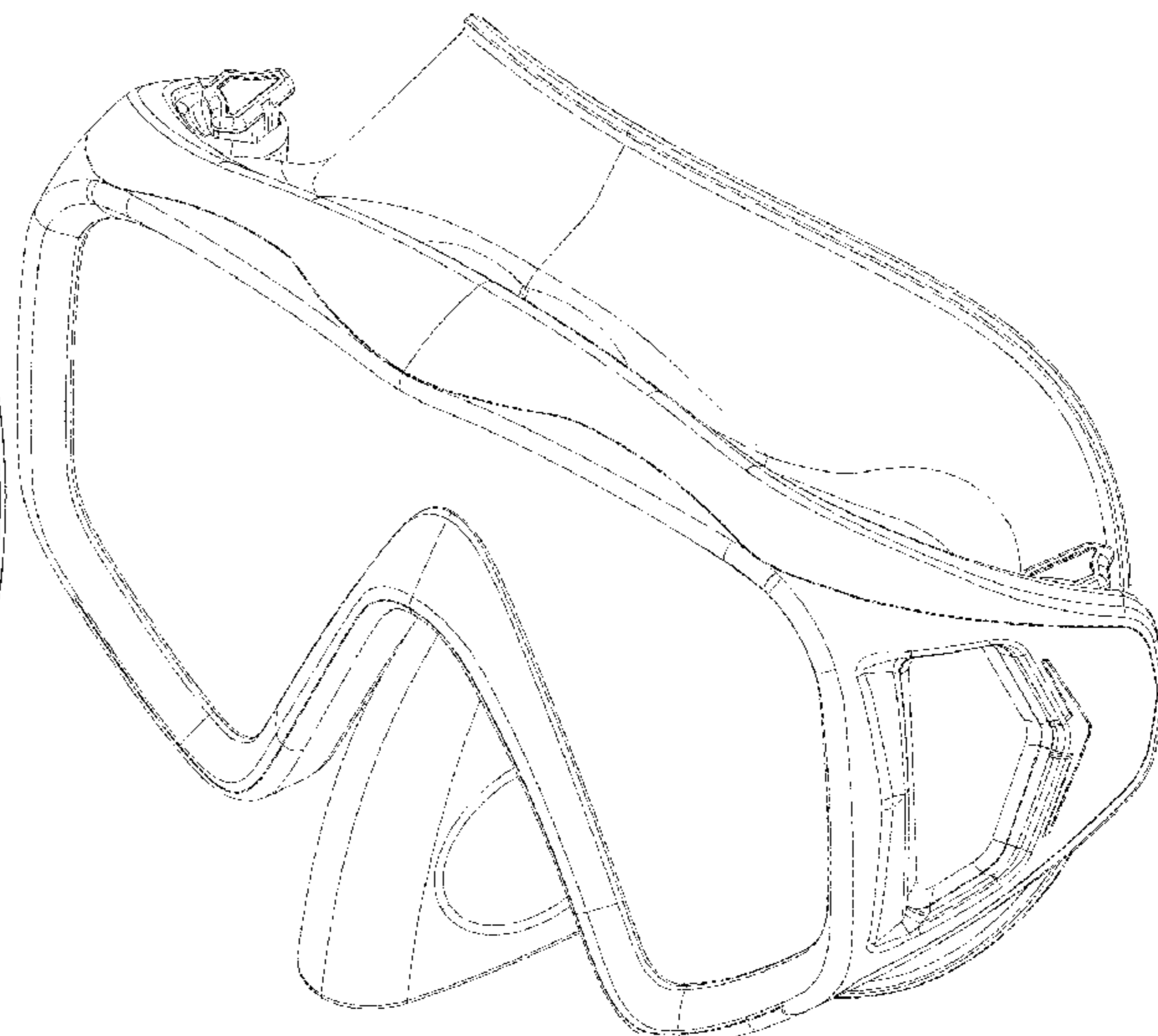
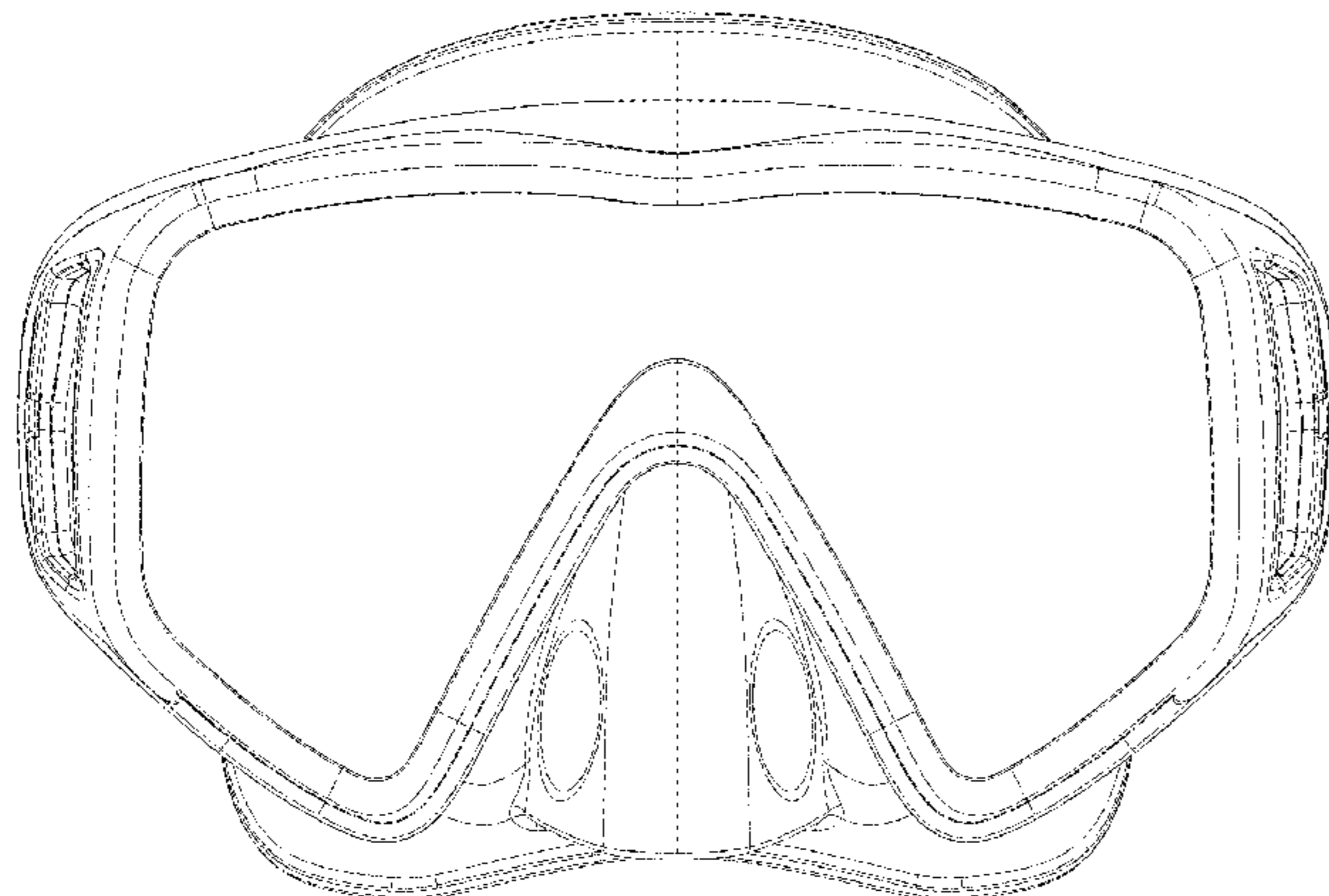
U.S. PATENT DOCUMENTS

D143,077 S * 12/1945 Kimball D16/325
D177,581 S * 5/1956 Moeller D16/312
D277,332 S * 1/1985 Fireman D24/110.2
D289,301 S * 4/1987 Jannard D16/314
D309,318 S * 7/1990 Bordonaro D16/314
D312,085 S * 11/1990 Weber D16/313
5,018,223 A * 5/1991 Dawson A61F 9/02
2/436
D322,081 S * 12/1991 Longsdorf D16/314
D323,515 S * 1/1992 Arbez D16/313
D327,490 S * 6/1992 Wilson D16/312
D334,999 S * 4/1993 Faulconer D24/110.2
D335,365 S * 5/1993 Sato D24/110.2
D343,029 S * 1/1994 Berenson D16/311
D368,107 S * 3/1996 Lutz D16/311
D371,566 S * 7/1996 Kolada D16/311
D371,841 S * 7/1996 Oliver 2/440

FIG. 1 is a front elevational view of a snorkel mask showing my new design;
FIG. 2 is a rear elevational view thereof;
FIG. 3 is a left side view thereof;
FIG. 4 is a right side view thereof;
FIG. 5 is a top plan view thereof;
FIG. 6 is a bottom plan view thereof;
FIG. 7 is a perspective view thereof;
FIG. 8 is a second perspective view thereof;
FIG. 9 is a third perspective view thereof;
FIG. 10 is a fourth perspective view thereof;
FIG. 11 is a fifth perspective view thereof;
FIG. 12 is a sixth perspective view thereof;
FIG. 13 is a seventh perspective view thereof; and,
FIG. 14 is an eighth perspective view thereof.

(Continued)

1 Claim, 14 Drawing Sheets



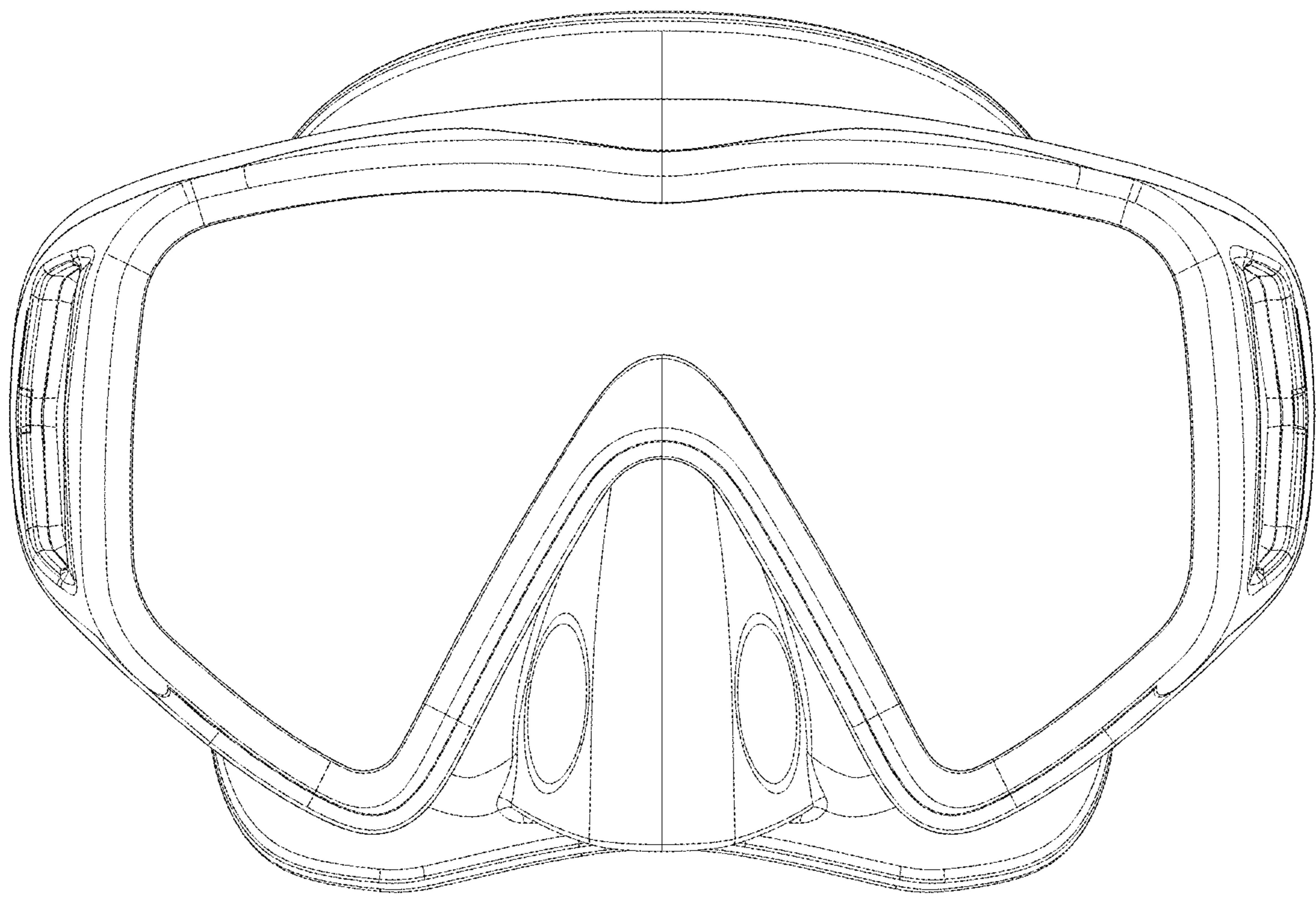


FIG. 1

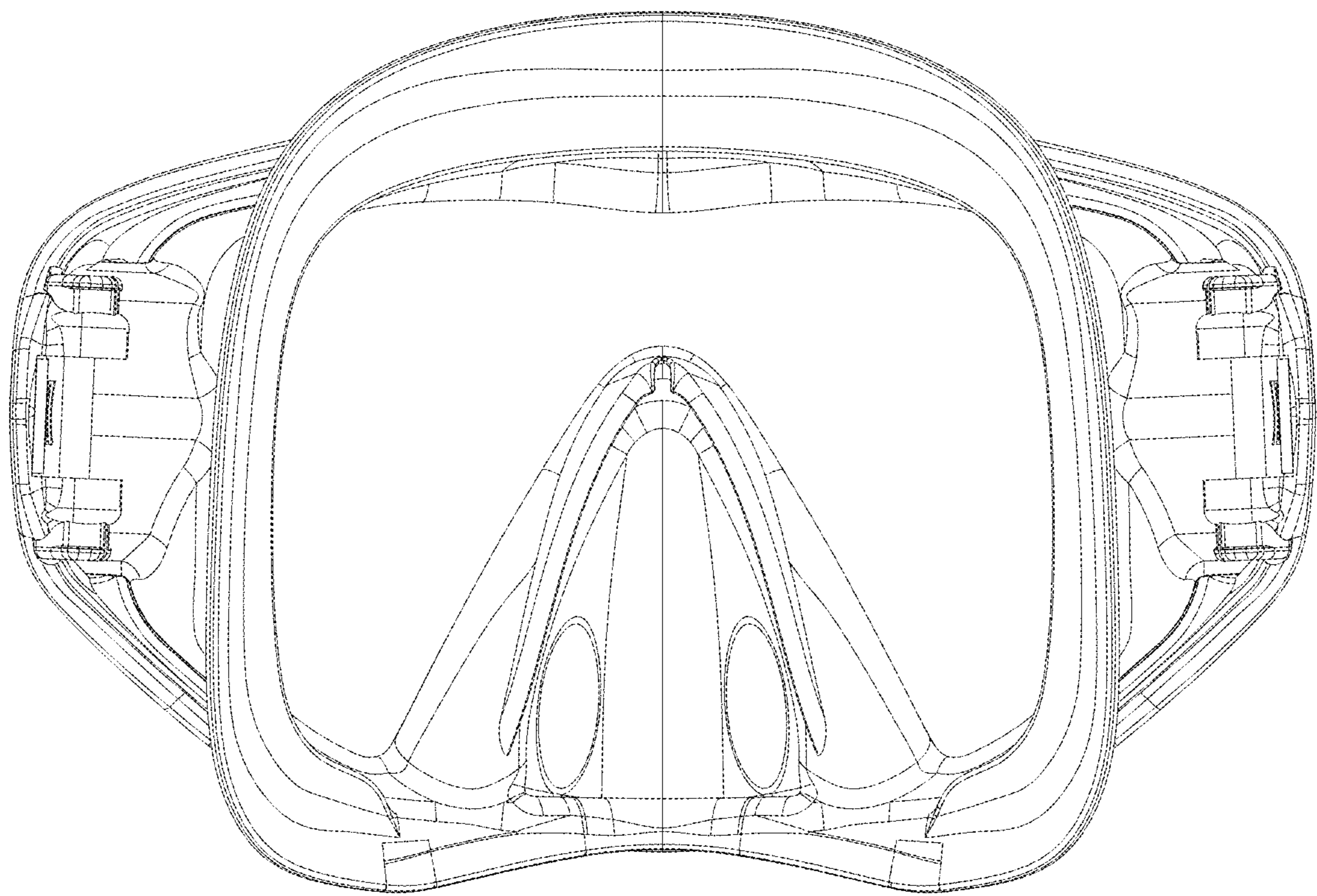


FIG. 2

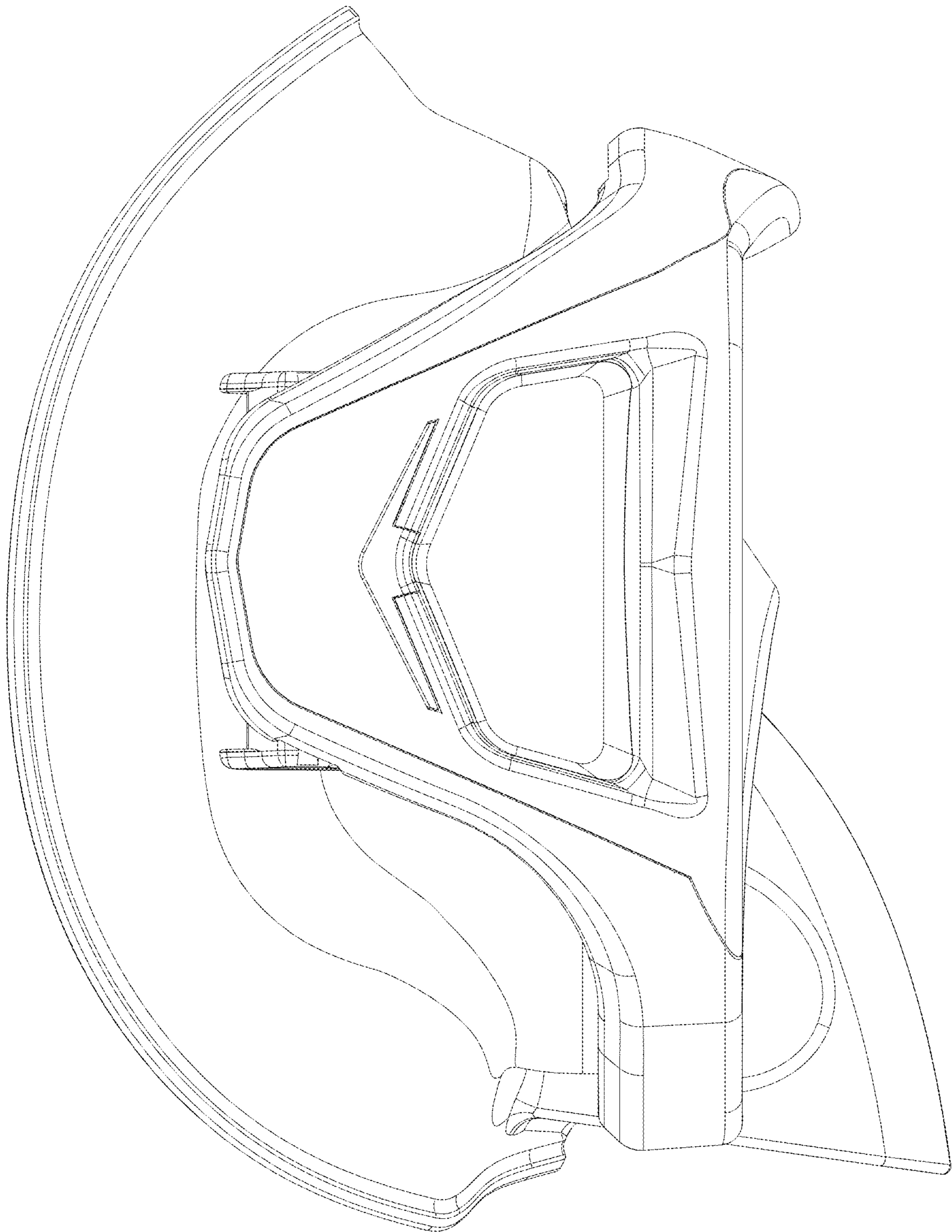


FIG. 3

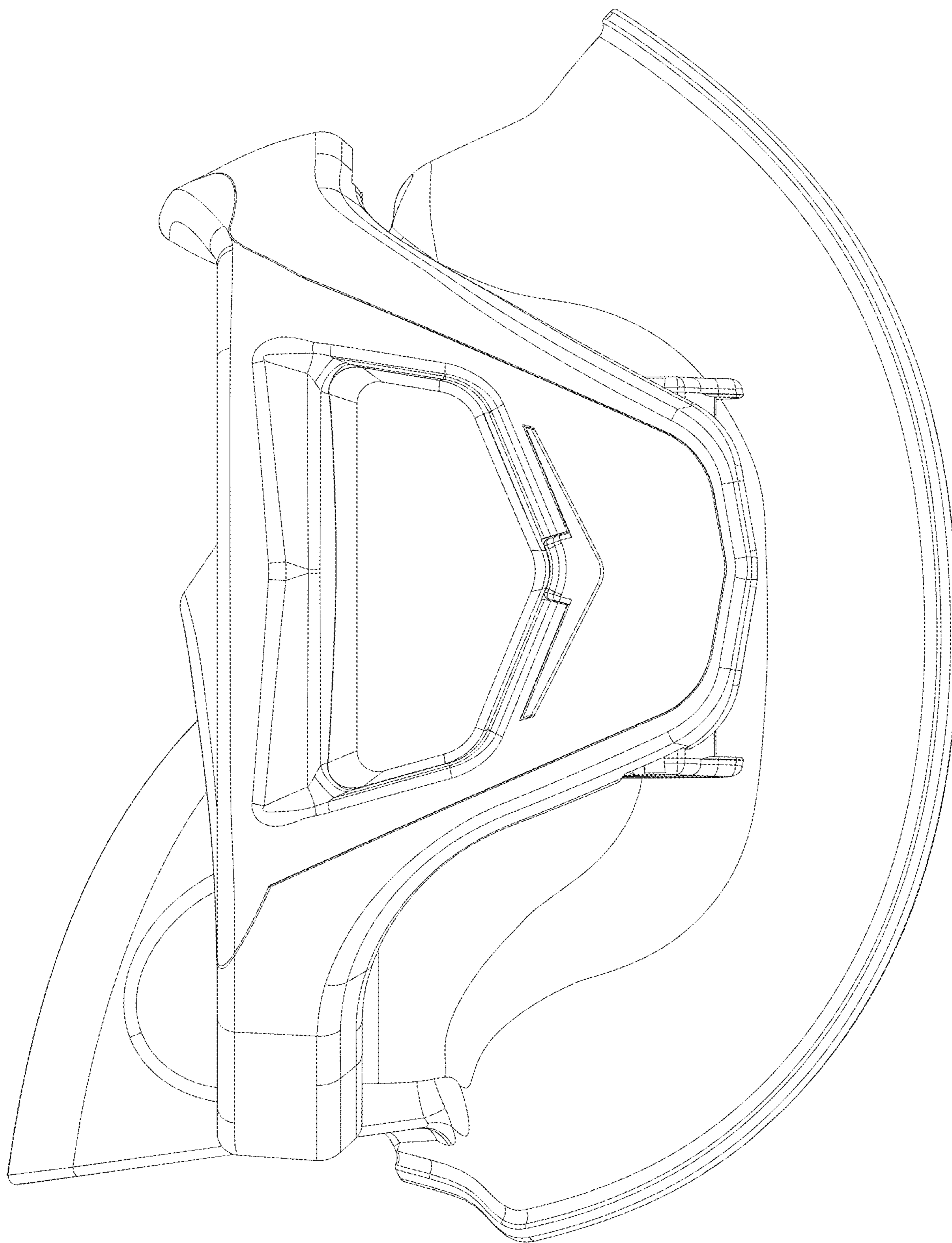


FIG. 4

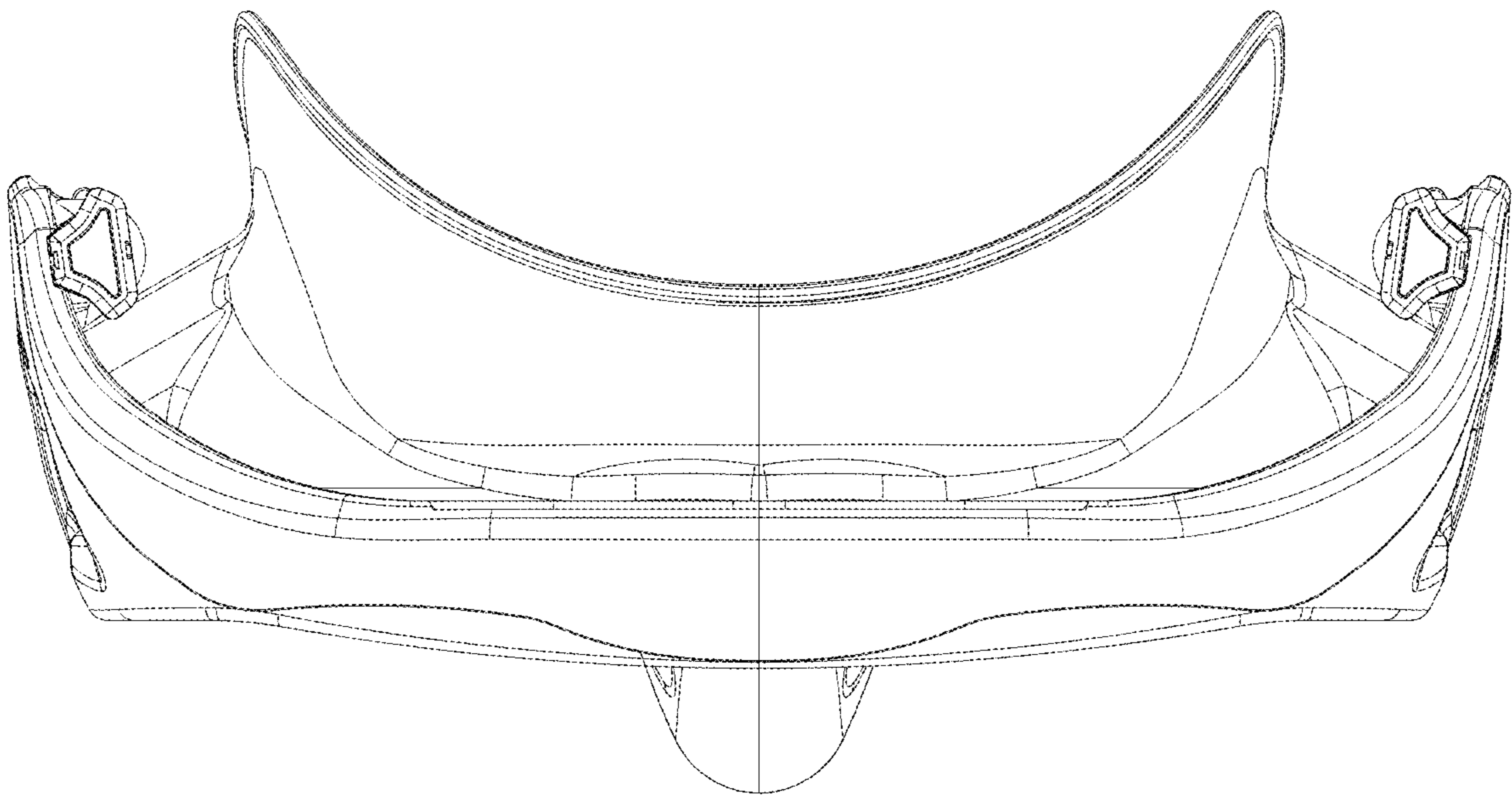


FIG. 5

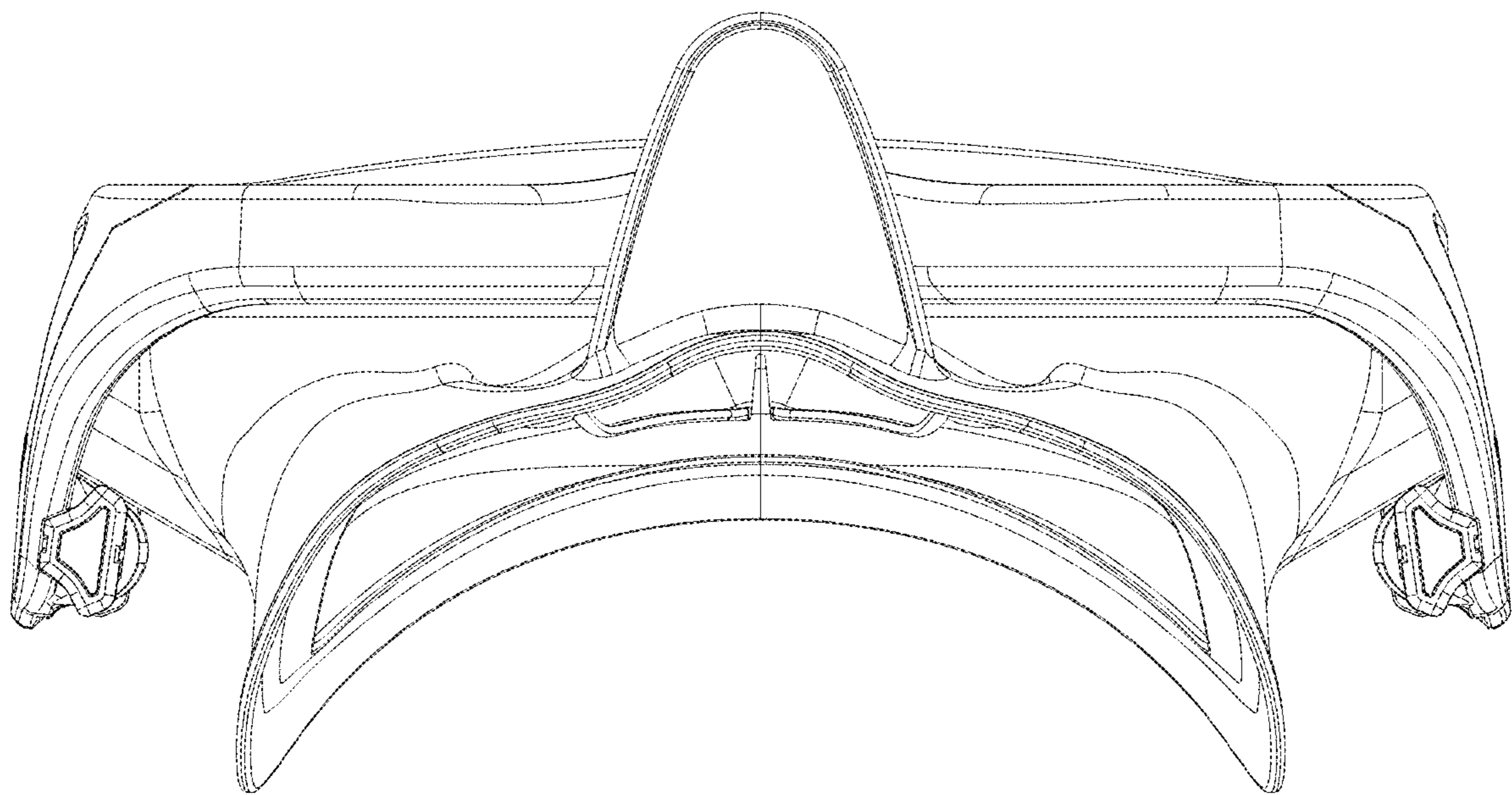


FIG. 6

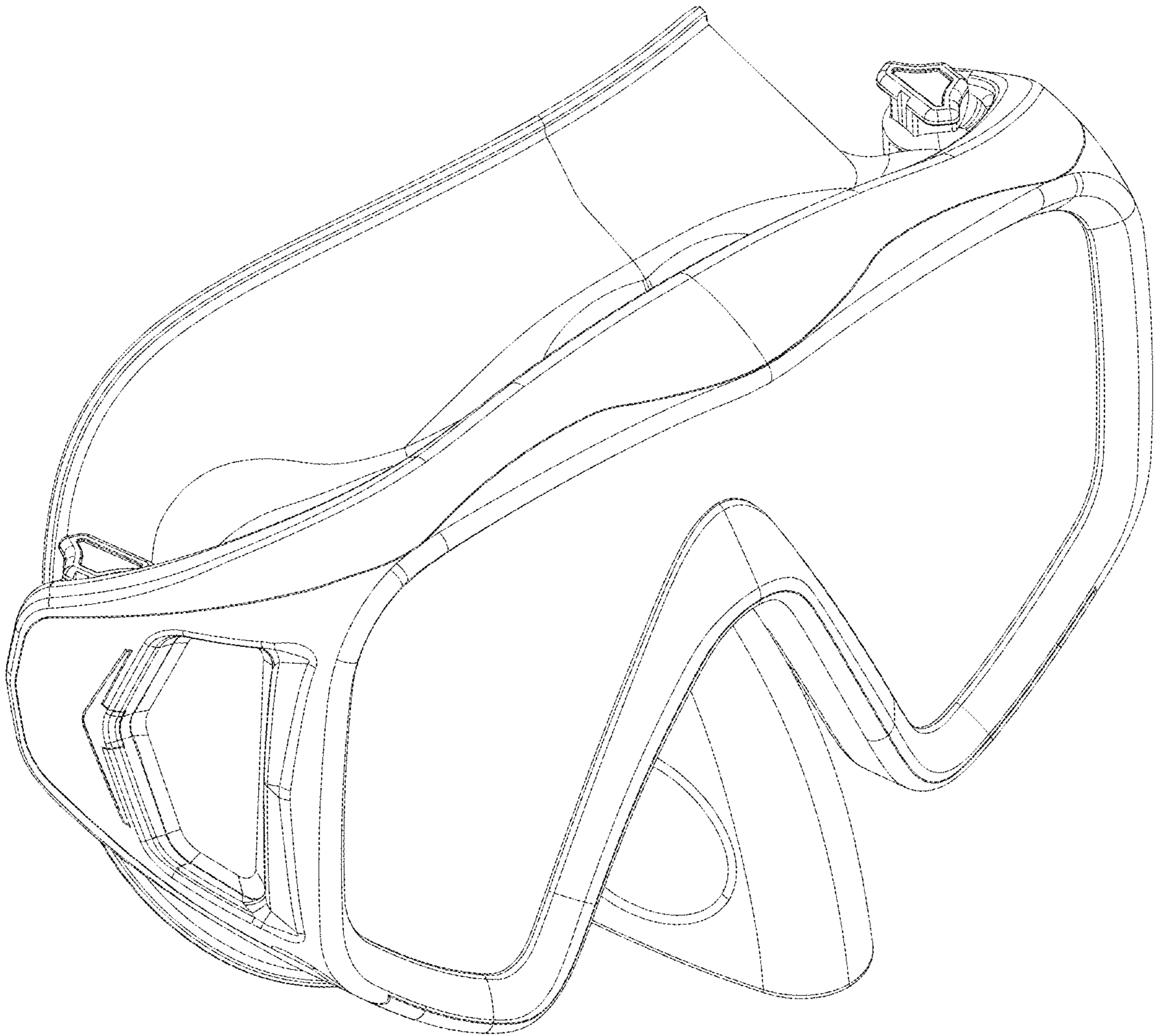


FIG. 7

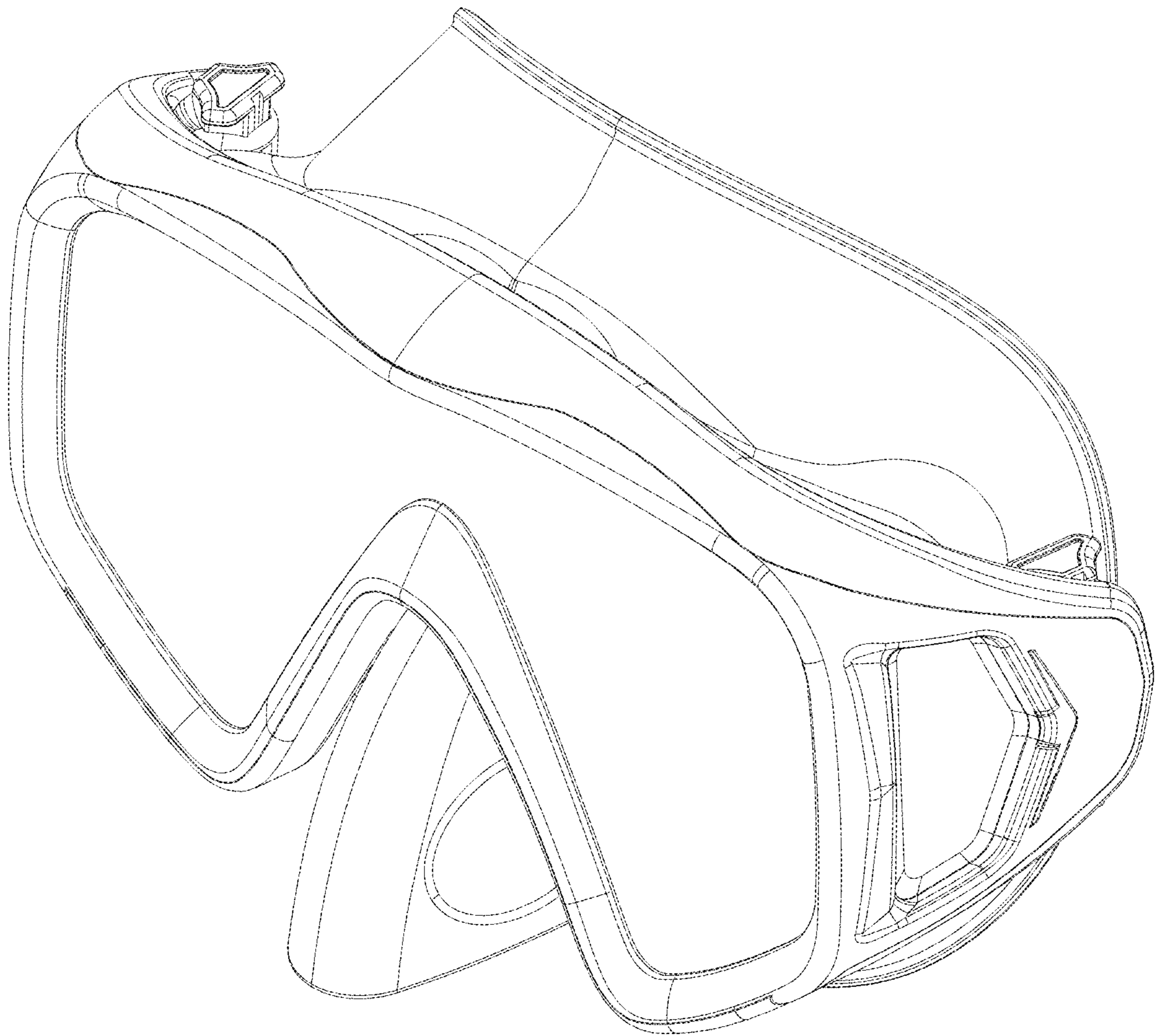


FIG. 8

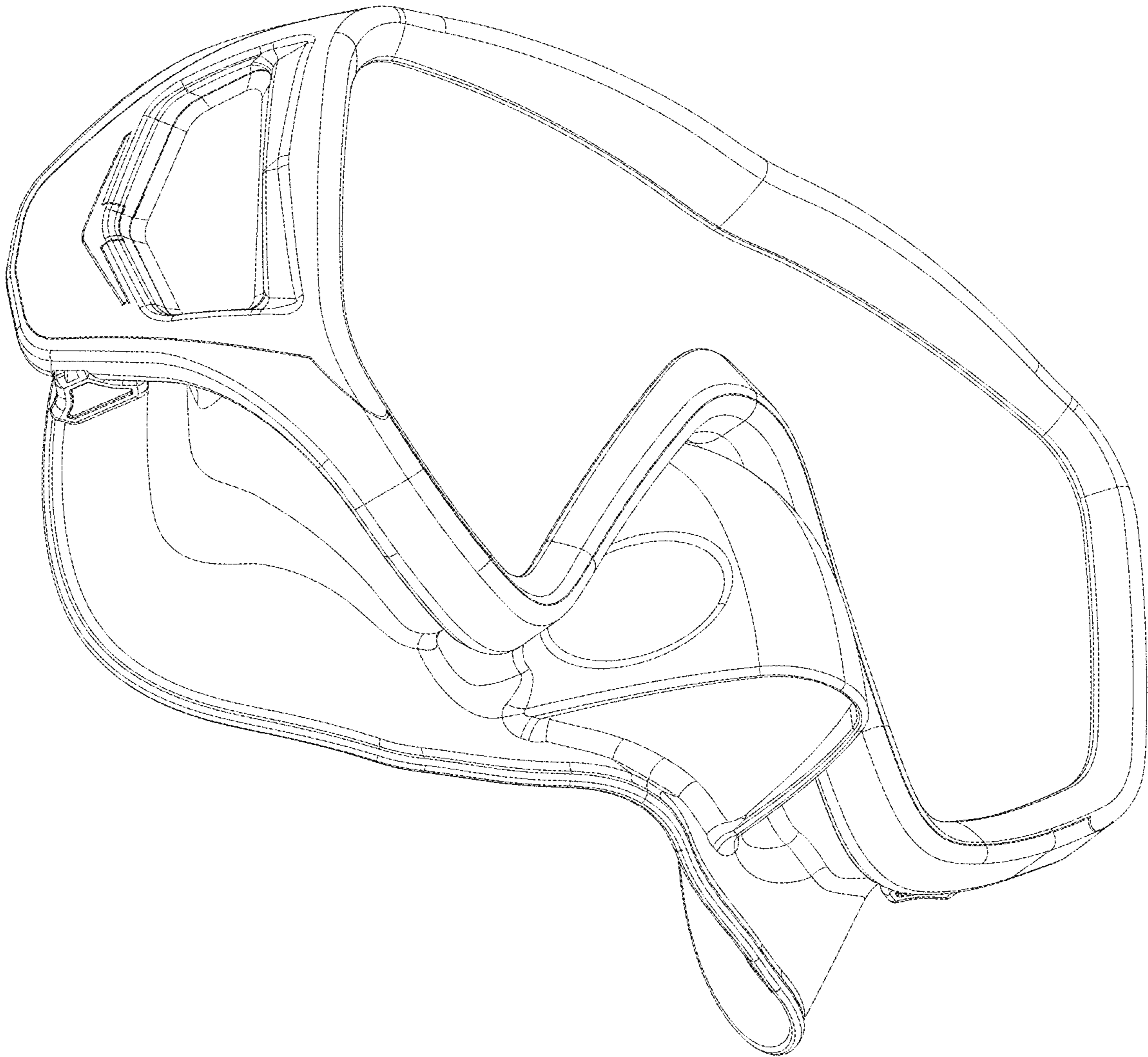


FIG. 9

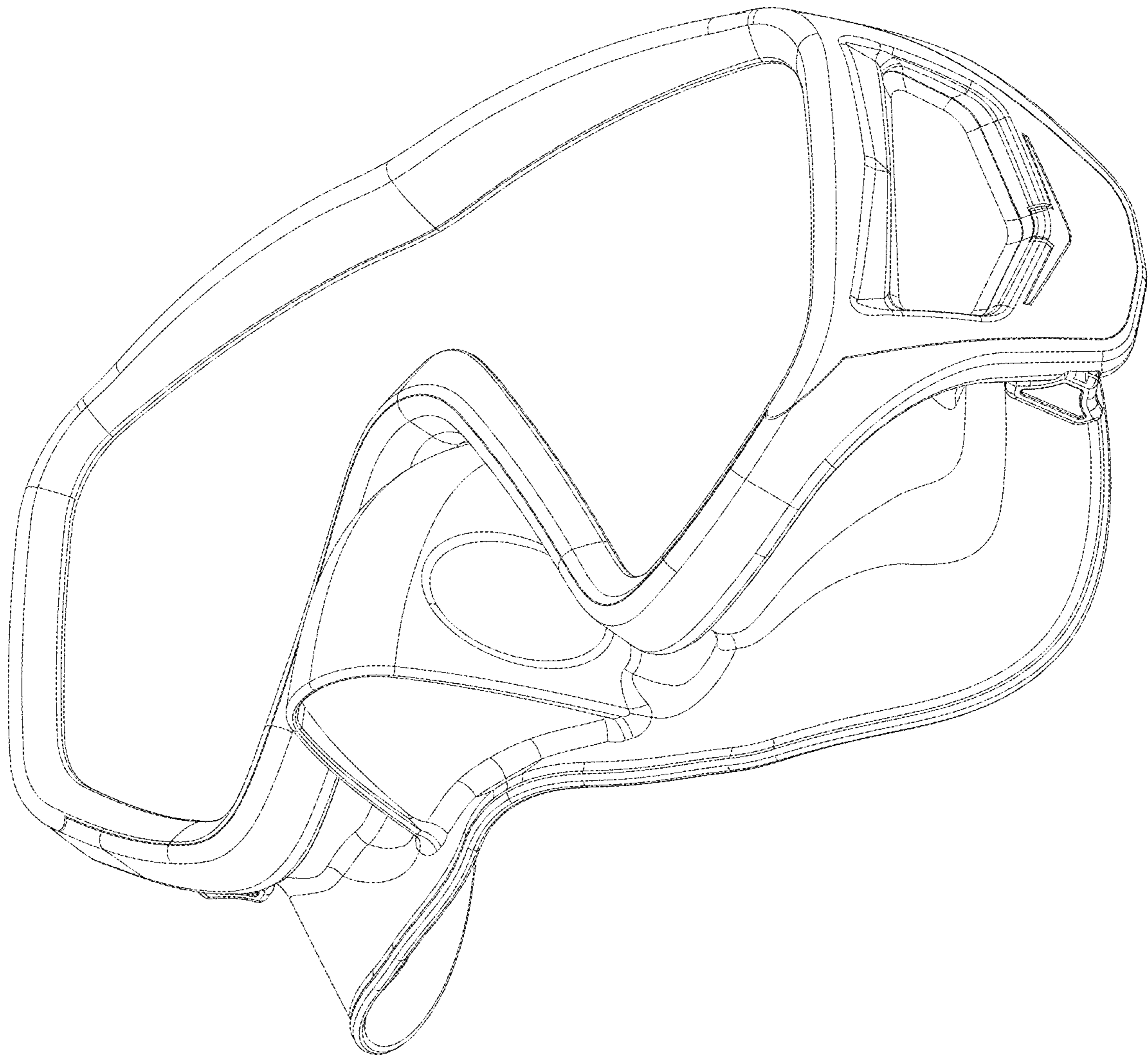


FIG. 10

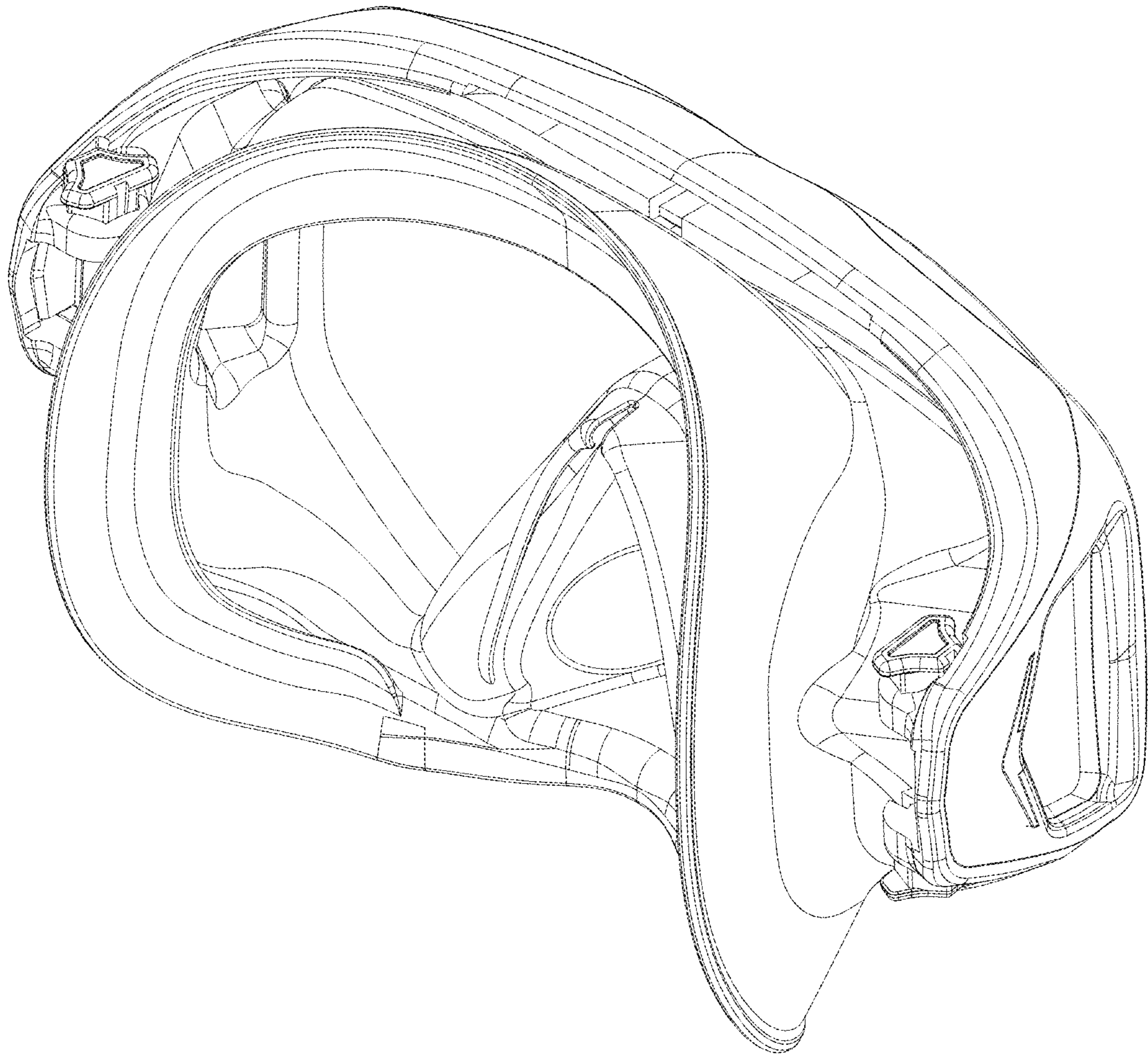


FIG. 11

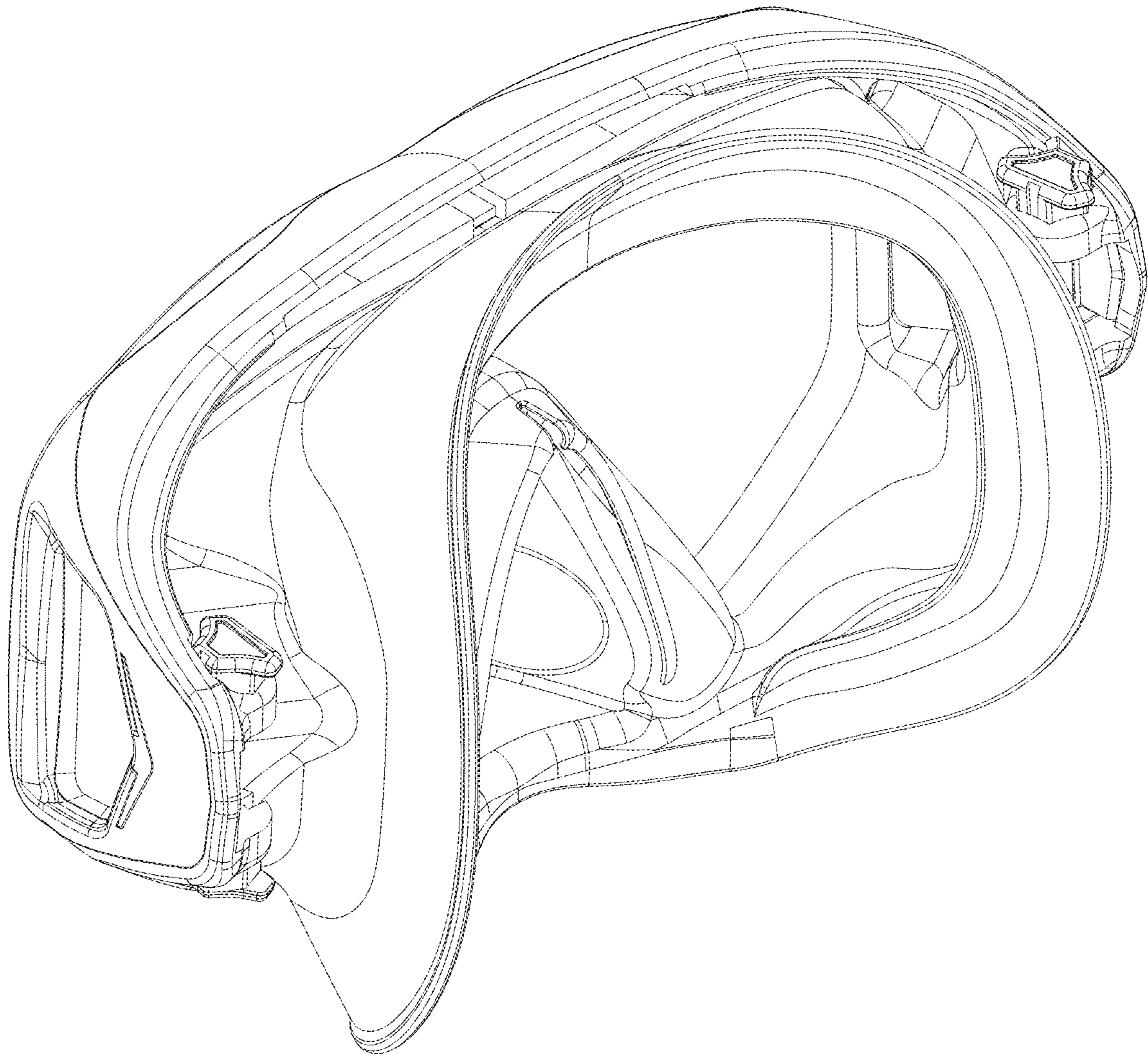


FIG. 12

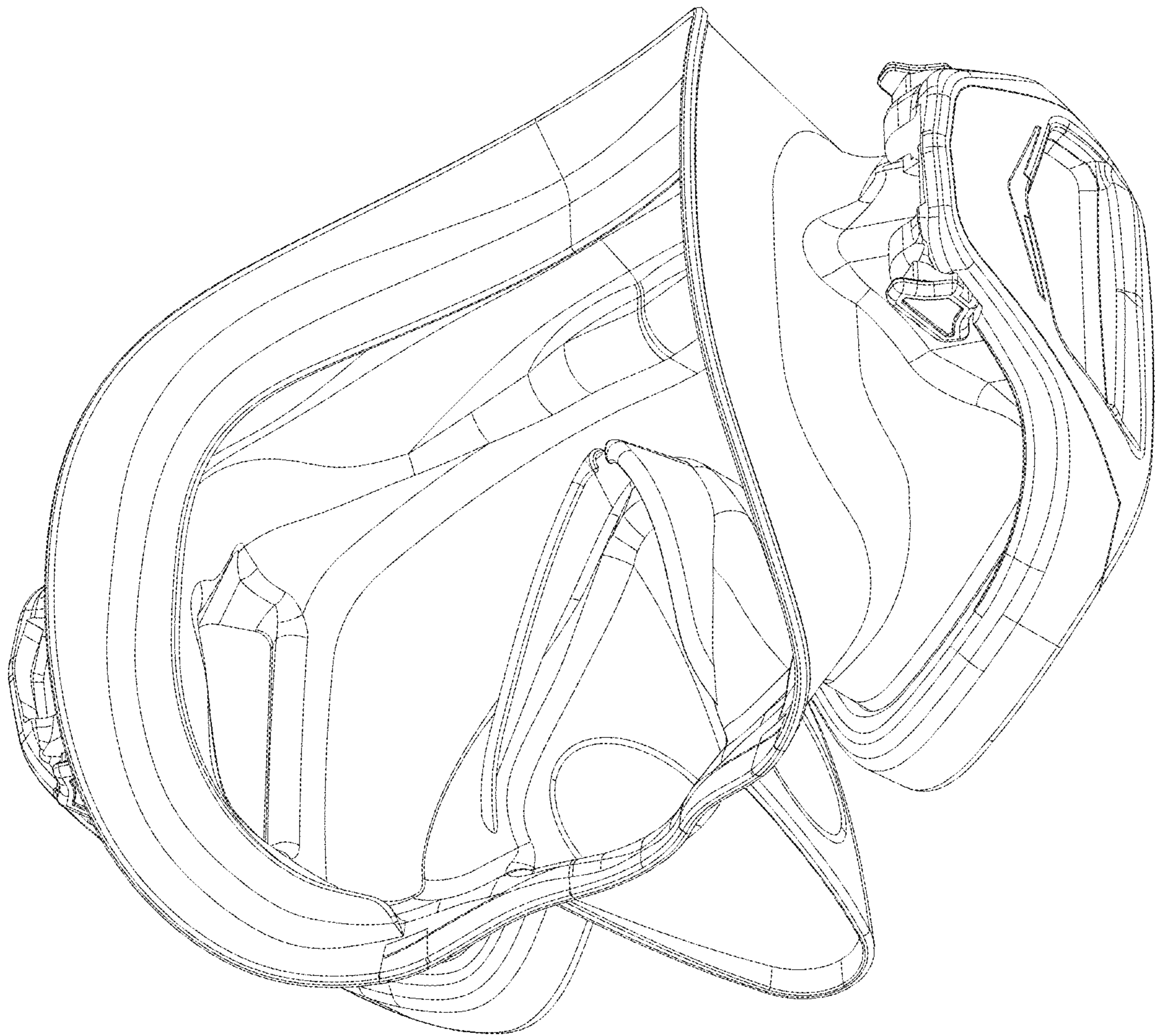


FIG. 13

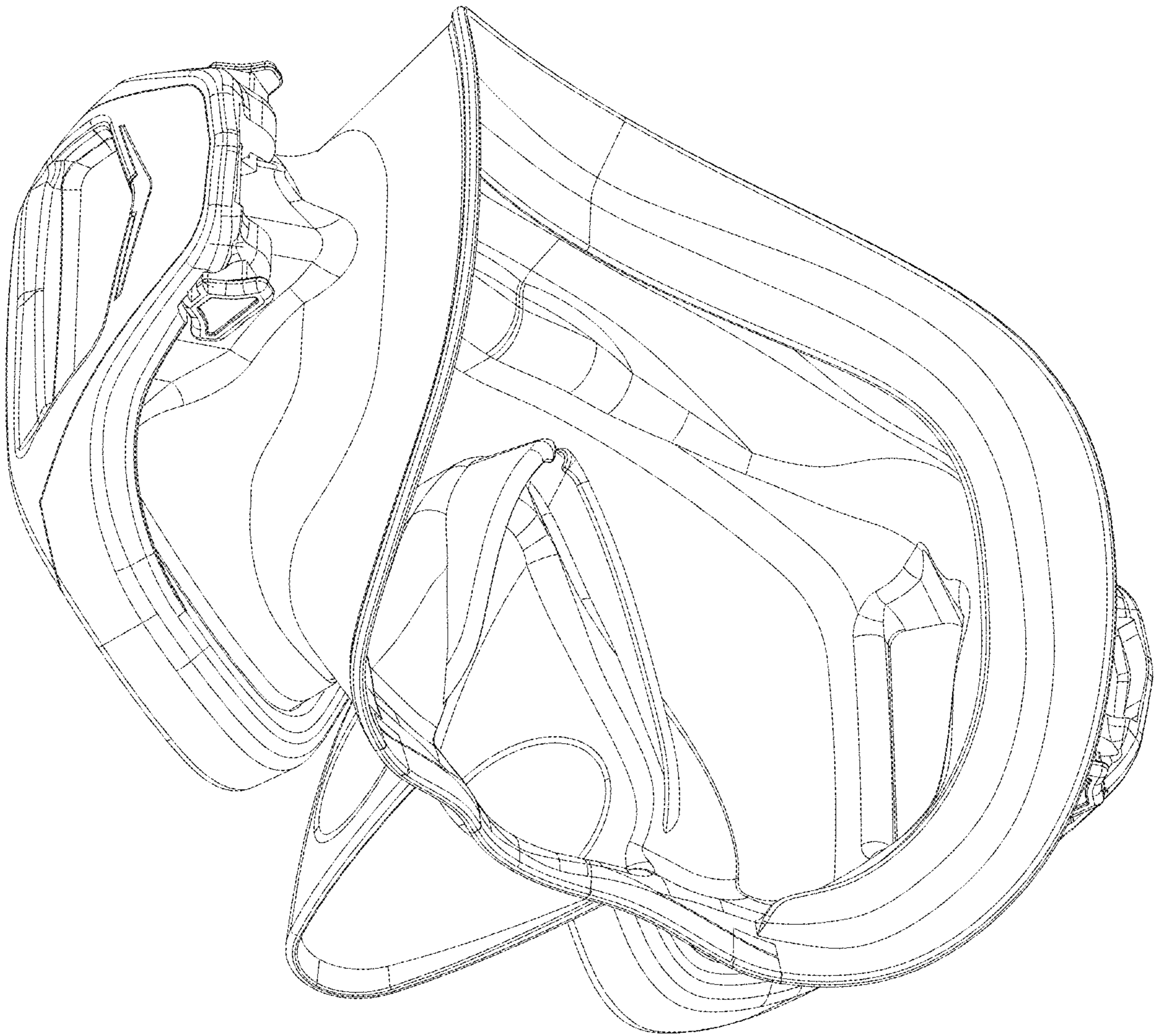


FIG. 14