



US00D943088S

(12) **United States Design Patent** (10) **Patent No.:** **US D943,088 S**
Bond (45) **Date of Patent:** **** Feb. 8, 2022**

(54) **FACE MASK EXTENDER**

18/025; A62B 18/08; A62B 18/084; A41C 3/12

See application file for complete search history.

(71) Applicant: **Velcro IP Holdings LLC**, Manchester, NH (US)

(56) **References Cited**

(72) Inventor: **Brian Michael Bond**, Wellesley Hills, MA (US)

U.S. PATENT DOCUMENTS

(73) Assignee: **Velcro IP Holdings LLC**, Manchester, NH (US)

2,619,651	A *	12/1952	Leonard	2/320
4,374,187	A *	2/1983	Sano	H01M 50/35 429/175
4,381,792	A *	5/1983	Busch, Jr	A45D 29/12 132/75.6
5,154,646	A *	10/1992	Shoup	H01R 11/288 439/772
5,170,001	A *	12/1992	Amendola	G10D 13/12 84/422.4

(**) Term: **15 Years**

(Continued)

(21) Appl. No.: **29/737,924**

FOREIGN PATENT DOCUMENTS

(22) Filed: **Jun. 12, 2020**

CN	103786971	*	5/2014	B65D 63/00
CN	306293909	*	1/2021	

(51) **LOC (13) Cl.** **29-02**

(52) **U.S. Cl.**

USPC **D24/110.1; D11/3**

OTHER PUBLICATIONS

(58) **Field of Classification Search**

USPC D2/600, 606-609, 624-640, 865-895; D3/215; D11/3-39, 200, 202, 210, 213, D11/215, 236, 237; D16/312, 339; D21/692, 698; D24/110.1-110.6, D24/127-129, 131, 231; D28/59; D29/101.1, 105-108, 120.2; D30/134-143, 152, 153

Shirry Group, Face Mask Support Strap (available Dec. 18, 2020) Retrieved from the internet Sep. 15, 2021 from URL: <https://www.amazon.ca/Reusable-Adjustable-Comfortable-Elastic-Extender/dp/B08NB95BGR>.*

(Continued)

CPC . A41D 13/11; A41D 13/1107; A41D 13/1115; A41D 13/1123; A41D 13/113; A41D 13/1138; A41D 13/1146; A41D 13/1153; A41D 13/1161; A41D 13/1169; A41D 13/1176; A41D 13/1184; A41F 15/00; A41F 15/002; A41F 15/005; A41F 15/007; A41F 15/02; A41F 13/00; A41F 17/00; A41F 17/02; A41F 17/04; A41F 18/00; A41F 19/00; A41F 19/005; A45F 5/02; A62B 23/025; A62B 18/02; A62B

Primary Examiner — Eric L Goodman
Assistant Examiner — Michael Hoffman
(74) *Attorney, Agent, or Firm* — Fish & Richardson P.C.

(57) **CLAIM**

The ornamental design for a face mask extender, as shown and described.

DESCRIPTION

FIG. 1 is a perspective view of the face mask extender.
FIG. 2 is front view thereof.
FIG. 3 is a back perspective view thereof.
FIG. 4 is left side view thereof.

(Continued)

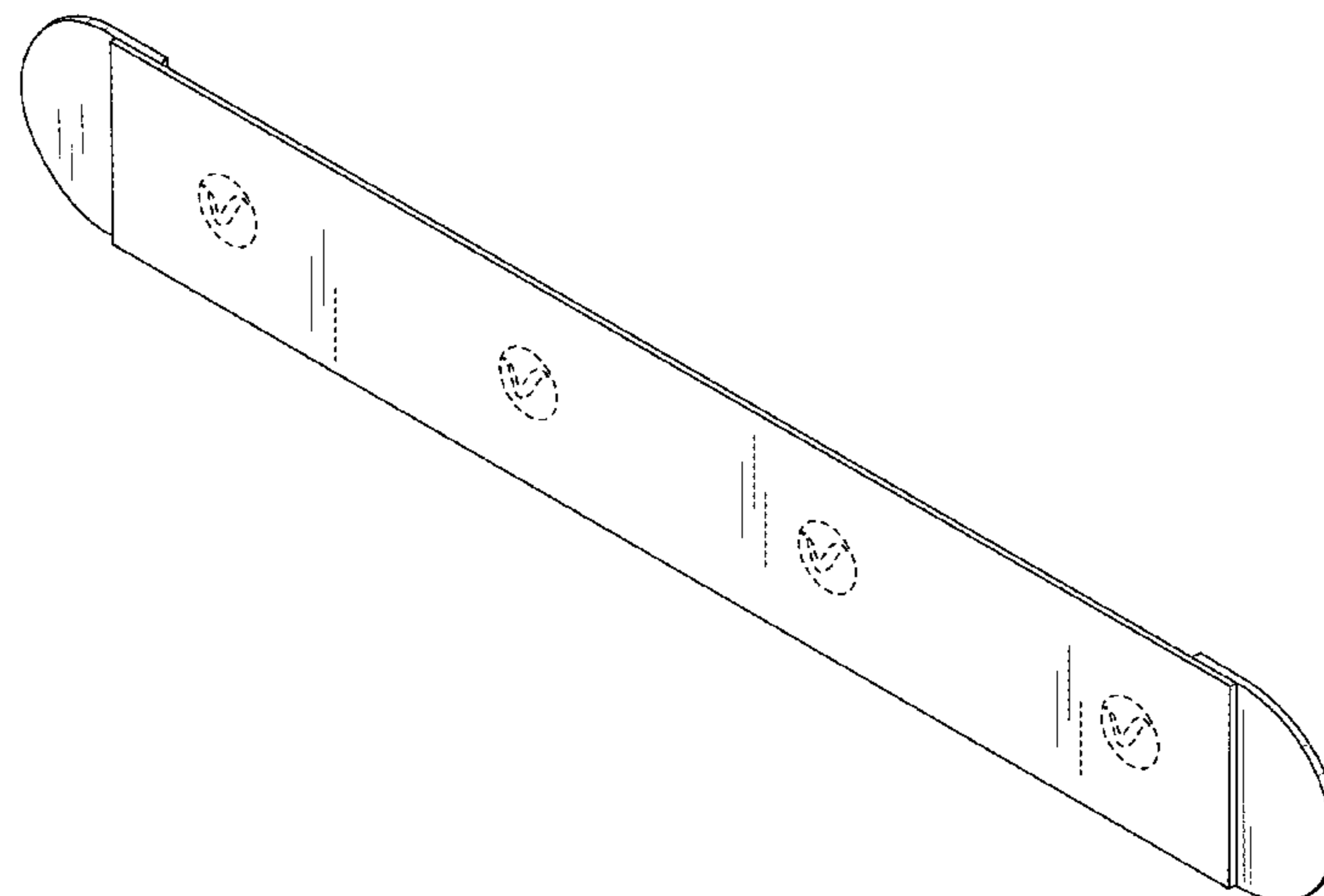


FIG. 5 is right side view thereof.

FIG. 6 is top view thereof; and,

FIG. 7 is bottom view thereof.

The broken lines showing the equidistantly aligned, circular features with an inner ornament, as shown in FIGS. 1 and 2 illustrate environmental features that form no part of the claimed design.

1 Claim, 3 Drawing Sheets

(56)

References Cited

U.S. PATENT DOCUMENTS

D338,740	S	*	8/1993	Nguyen	D28/59
D353,990	S	*	1/1995	Alfreds	D8/356
D440,013	S	*	4/2001	Newman	D28/59
D563,049	S	*	2/2008	Huang	D28/59
D613,479	S	*	4/2010	Farmer	D2/853
D619,795	S	*	7/2010	McBride	D2/961
D640,156	S	*	6/2011	Chan	D11/3
D653,018	S	*	1/2012	Webbe	D2/860
D686,217	S	*	7/2013	Andre	D14/480.3

D716,172	S	*	10/2014	Howe	D11/3
D828,745	S	*	9/2018	Vowels	D8/382
D879,642	S	*	3/2020	Wearmouth	D11/3
2020/0229520	A1	*	7/2020	Emery	A41D 13/1161
2020/0253309	A1	*	8/2020	Wexelbaum	A41F 9/007

OTHER PUBLICATIONS

HX Aurize, Face Mask Extender (available Feb. 2, 2020) Retrieved from the internet Sep. 16, 2021 from URL: <https://www.amazon.com/HX-AURIZE-Comfortable-Adjustable-Multi-Colored/dp/B09BJC6NXF/>.*

Velcro Brand, Face Mask Extender Straps (available Jul. 26, 2020) Retrieved from the internet Sep. 15, 2021 from URL: <https://www.amazon.com/VELCRO-Brand-Comfortable-Adjustable-VEL-30084-USA/dp/B08CNM5VR8/>.*

URSA, Introducing URSA Maskies (available Sep. 24, 2020) Retrieved from the internet Sep. 21, 2021 from URL: https://www.youtube.com/watch?v=jsWcP8_dWRU.*

Belunu, Adjustable Mask Extender Straps Ear Savers (available Jan. 17, 2021) Retrieved from the internet Oct. 12, 2021 from URL: https://www.amazon.com/dp/B08T7ZSX13/ref=cm_sw_em_r_mt_dp_G98F8FQ1AE7AKAMTVXR2.*

* cited by examiner

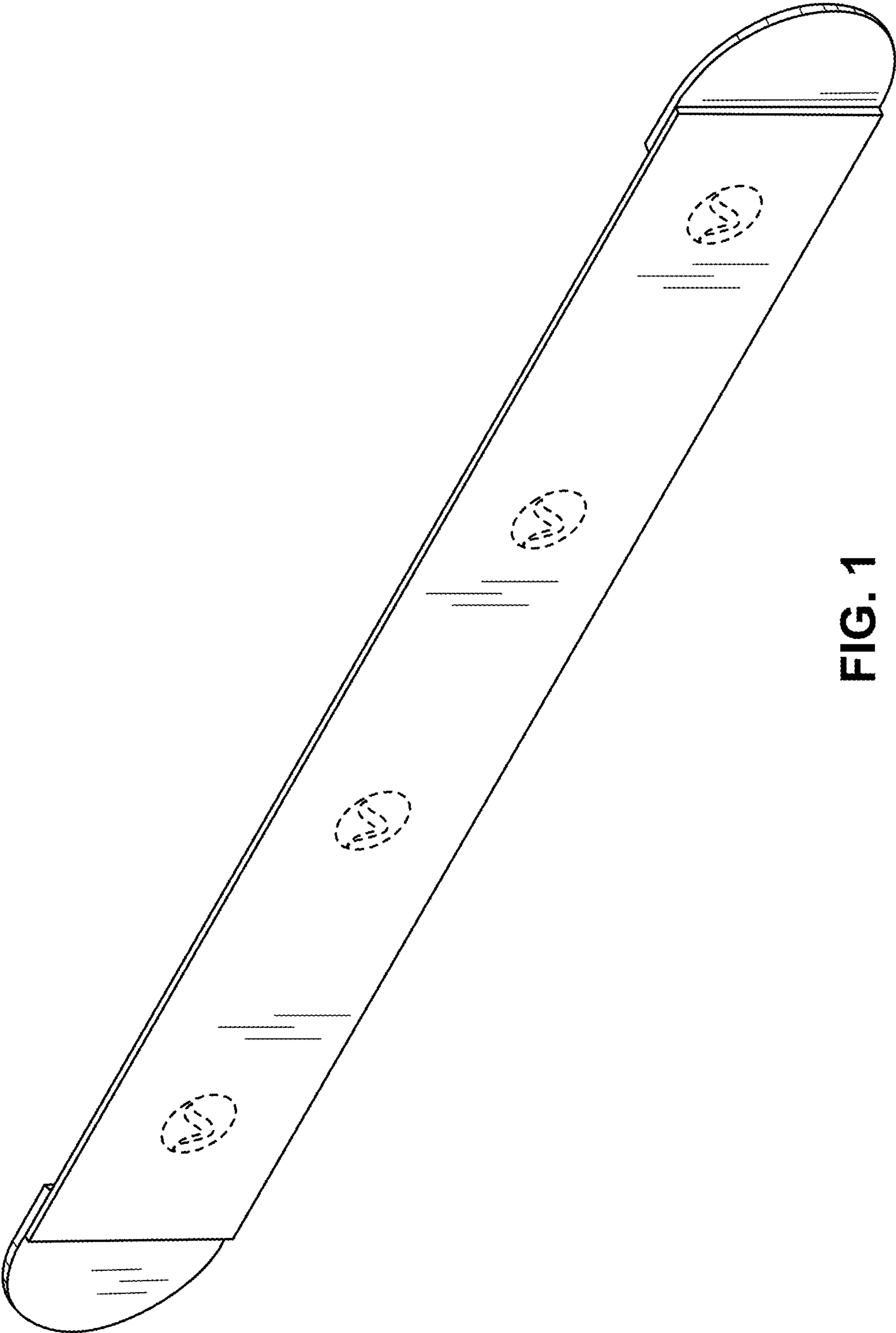


FIG. 1

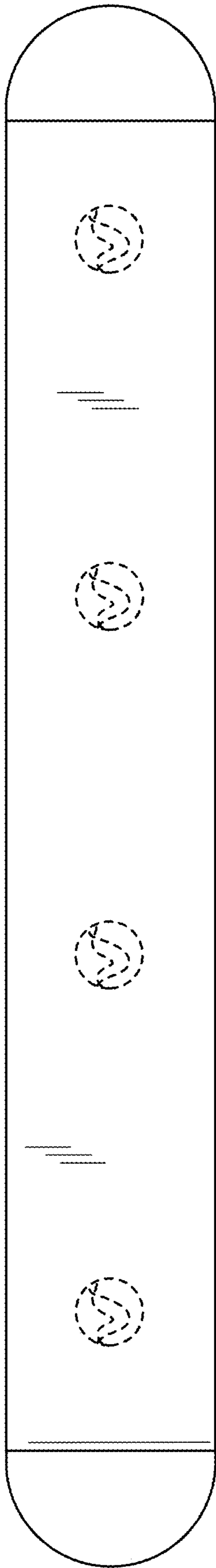


FIG. 2

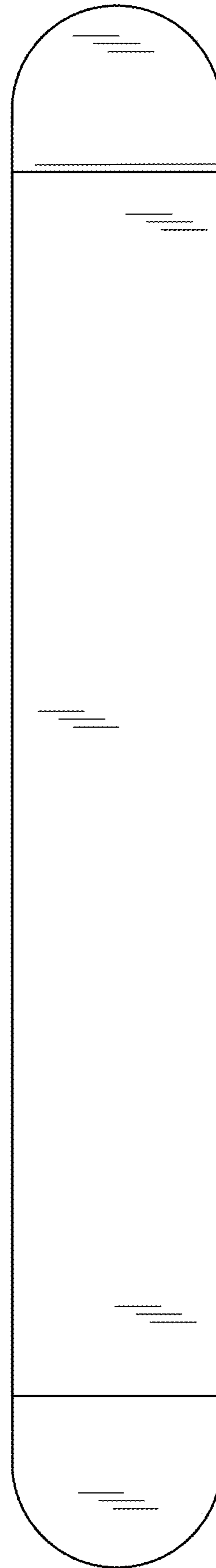


FIG. 3



FIG. 4

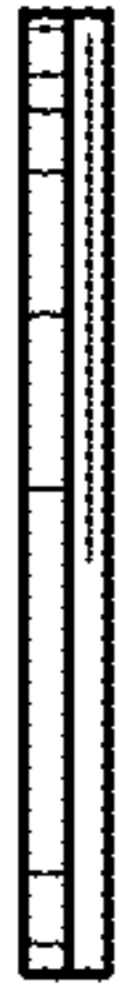


FIG. 5



FIG. 6



FIG. 7