



US00D943087S

(12) **United States Design Patent**
Trones et al.

(10) **Patent No.:** **US D943,087 S**

(45) **Date of Patent:** **** Feb. 8, 2022**

(54) **SET OF EARPLUGS**

(71) Applicant: **MINUENDO AS**, Oslo (NO)

(72) Inventors: **Tom Alexander Trones**, Oslo (NO);
Knut Håkon Breivik, Oslo (NO)

(**) Term: **15 Years**

(21) Appl. No.: **35/510,979**

(22) Filed: **Jun. 15, 2020**

(80) **Hague Agreement Data**

Int. Filing Date: **Jun. 15, 2020**

Int. Reg. No.: **DM/209215**

Int. Reg. Date: **Jun. 15, 2020**

Int. Reg. Pub. Date: **Dec. 18, 2020**

(51) **LOC (13) Cl.** **28-01**

(52) **U.S. Cl.**
USPC **D24/106**

(58) **Field of Classification Search**
USPC D24/106; D13/133; D14/223, 205
CPC A61F 11/08
See application file for complete search history.

(56) **References Cited**

U.S. PATENT DOCUMENTS

D567,230 S * 4/2008 Seto D14/223
D591,732 S * 5/2009 Burton D14/205
D884,681 S * 5/2020 Zhang D14/223

D892,769 S * 8/2020 Cai D14/223
D897,319 S * 9/2020 Wang D14/223
D897,322 S * 9/2020 Wei D14/223
D906,292 S * 12/2020 Wang D14/223
D908,667 S * 1/2021 He D14/223
D912,016 S * 3/2021 Ando D14/223
D915,358 S * 4/2021 Ma D14/223
D917,425 S * 4/2021 Wang D14/223
D918,873 S * 5/2021 Deng D14/223
D919,574 S * 5/2021 Ng D13/133
D924,207 S * 7/2021 Li D14/223
D928,742 S * 8/2021 Liu D14/223
D929,970 S * 9/2021 Lin D14/223
D931,437 S * 9/2021 Yuan D24/106
2021/0052429 A1 * 2/2021 Dittrich A61F 11/08

* cited by examiner

Primary Examiner — Rhea Shields

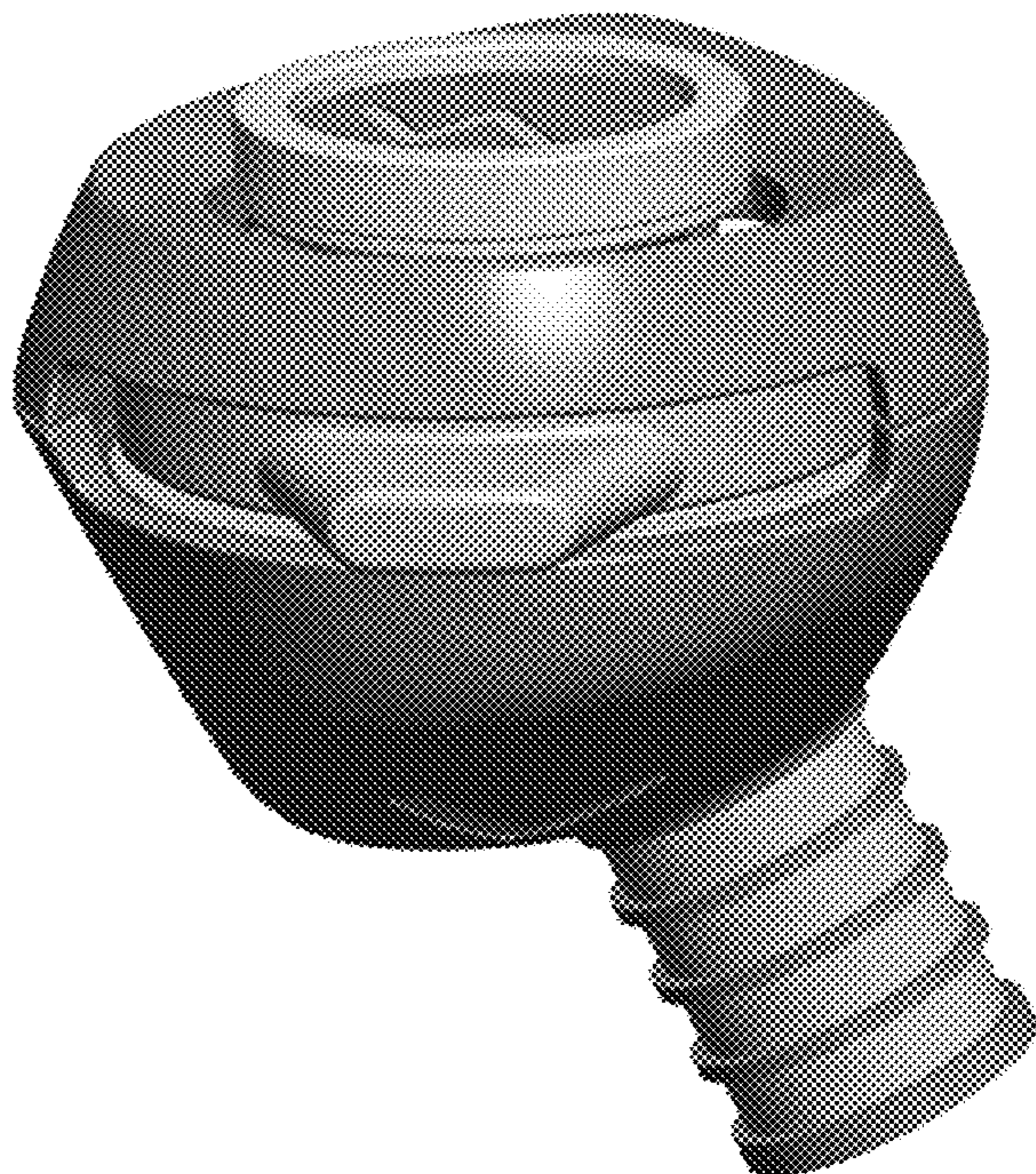
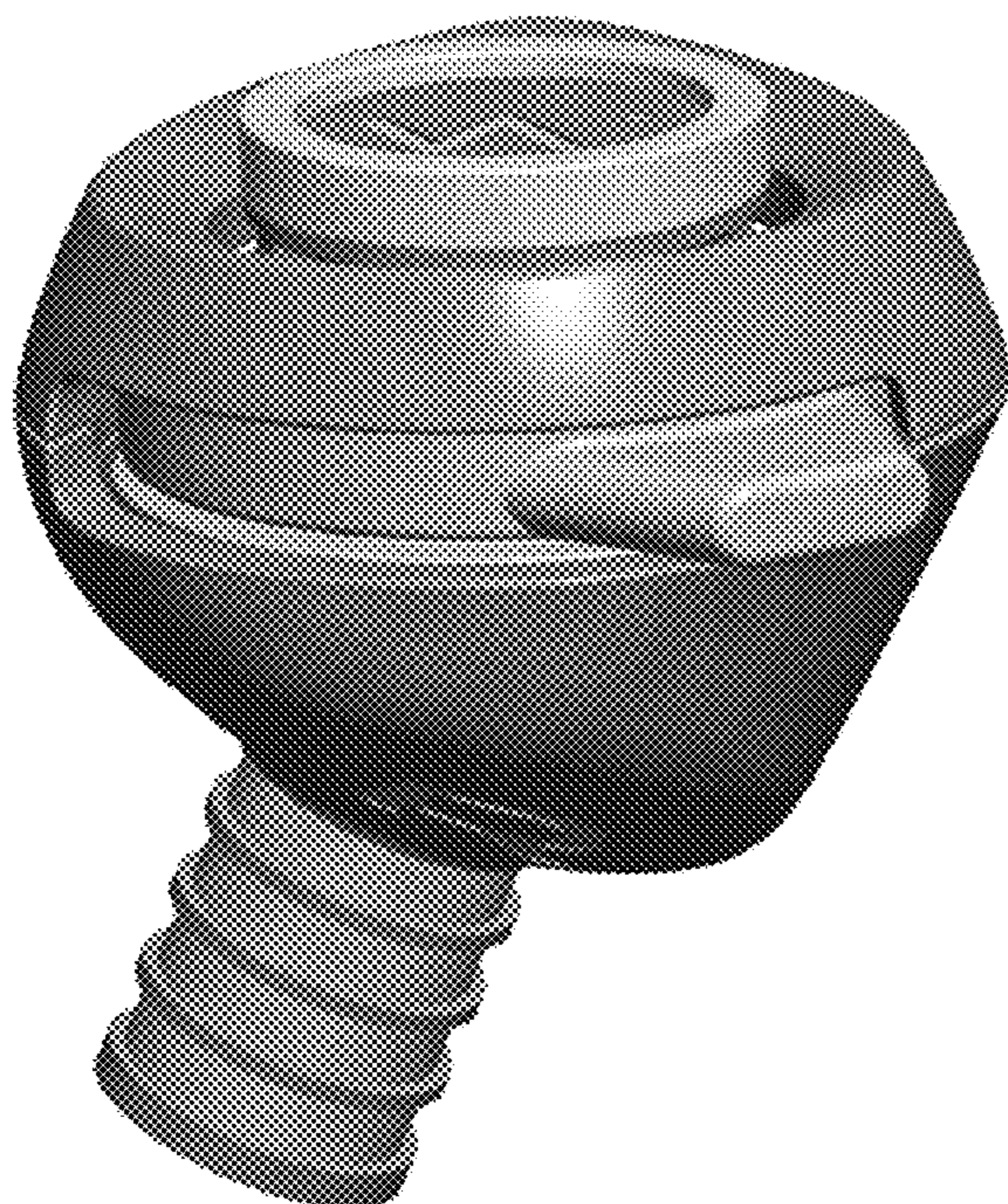
(57) **CLAIM**

The ornamental design for a set of earplugs, as shown and described.

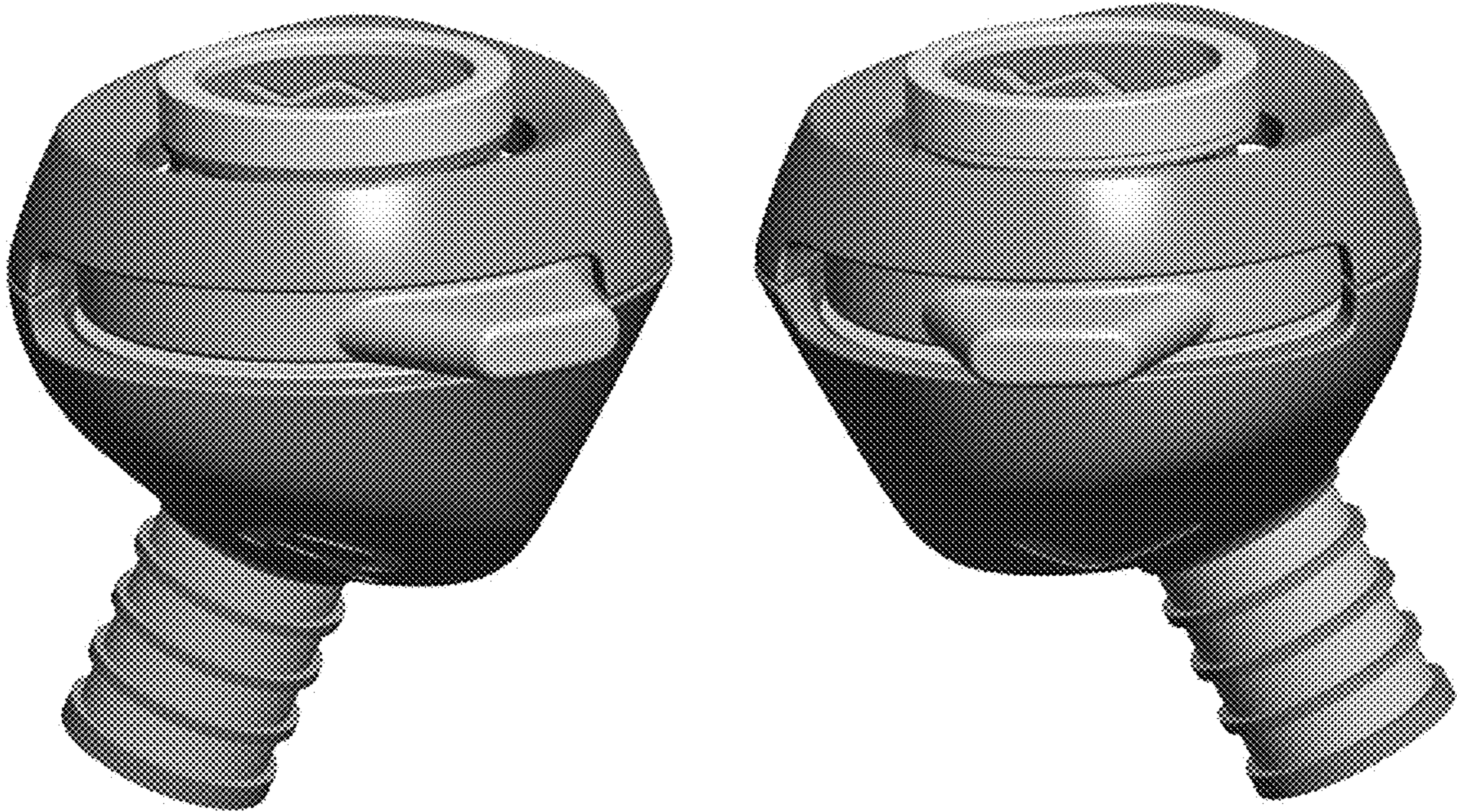
DESCRIPTION

- 1. Set of earplugs
- 1.1 is a front perspective view;
- 1.2 is a bottom view;
- 1.3 is a front view;
- 1.4 is a back view;
- 1.5 is a top view;
- 1.6 is a top perspective view of a single ear bud and
- 1.7 is a back view of a single ear bud.

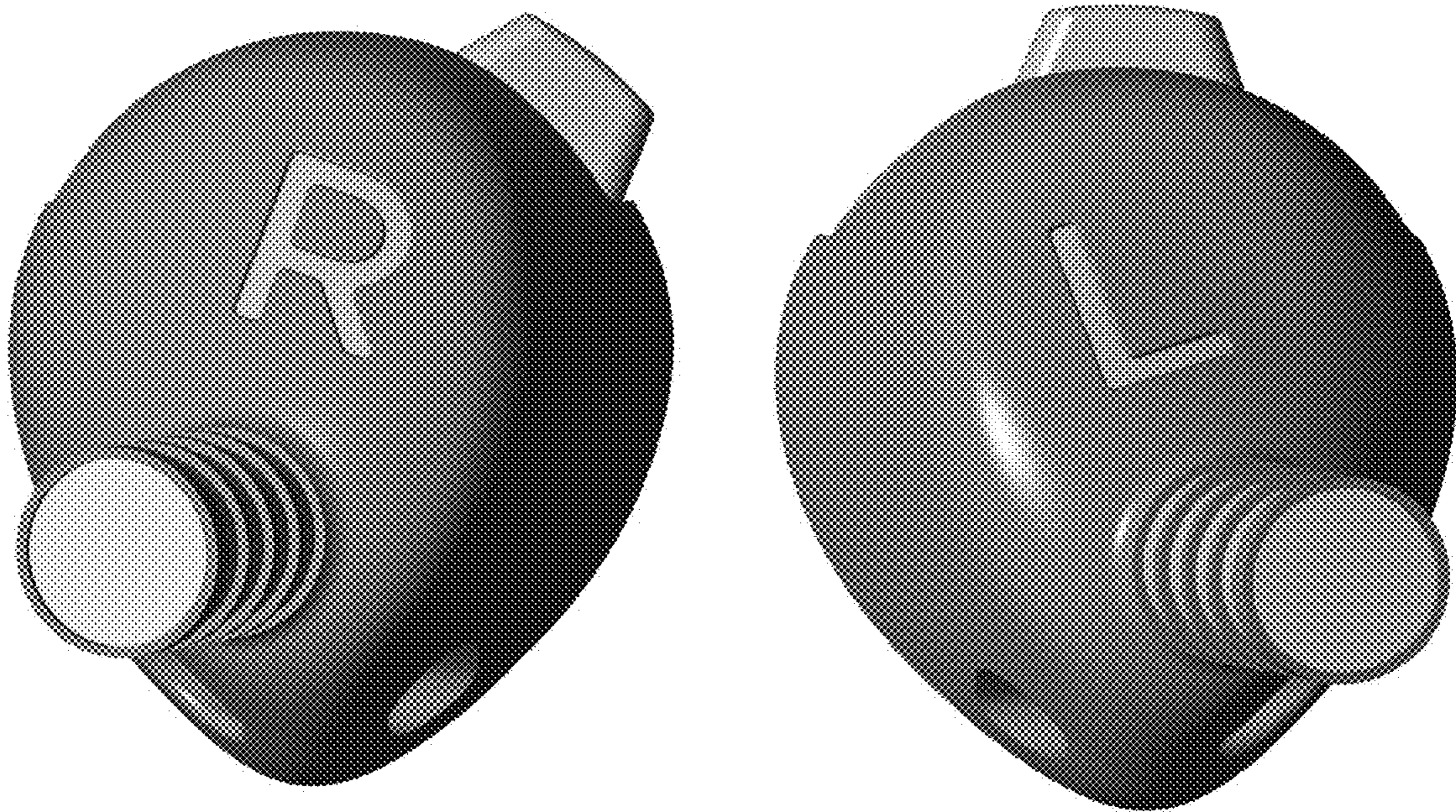
1 Claim, 7 Drawing Sheets



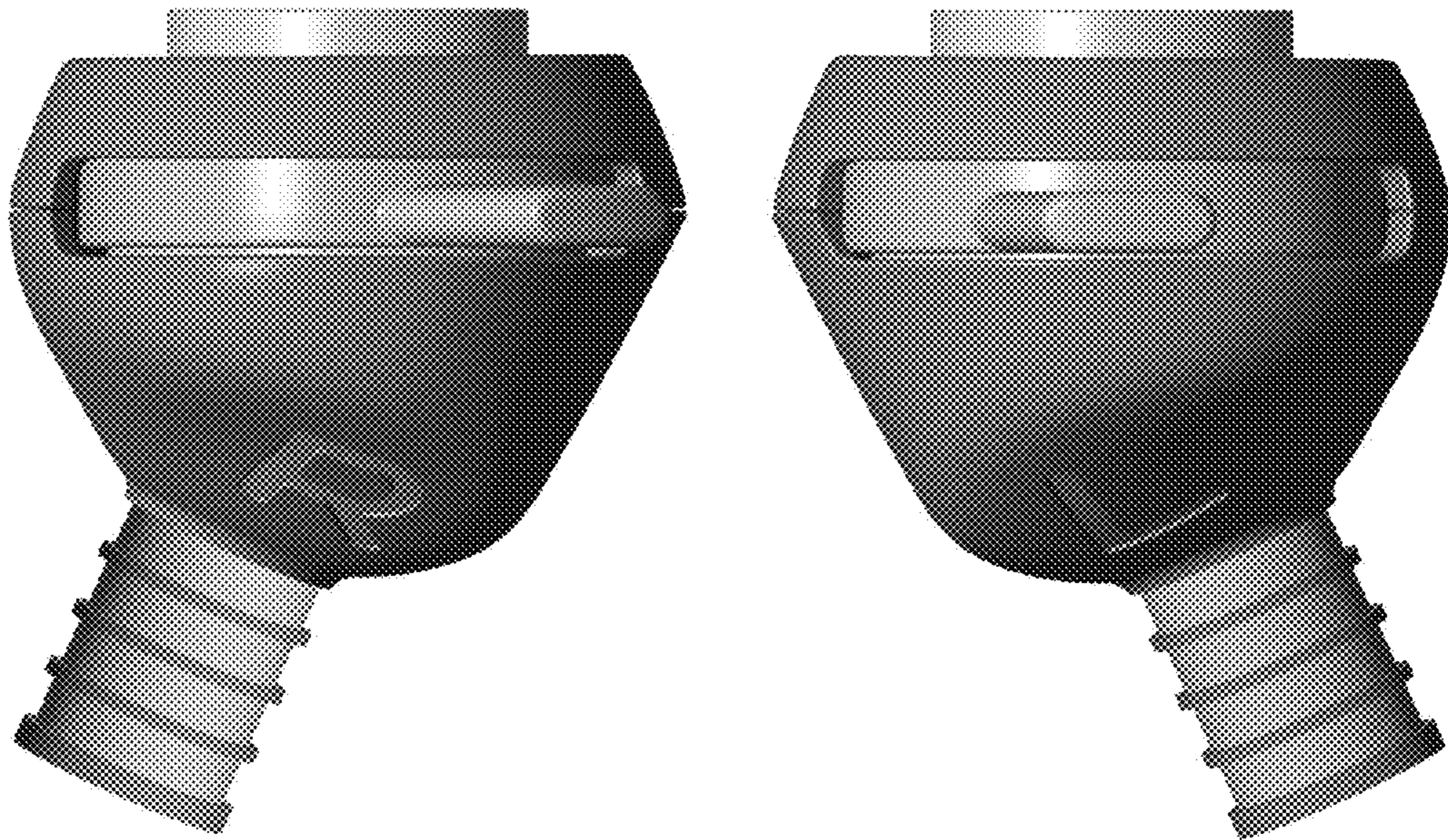
1.1



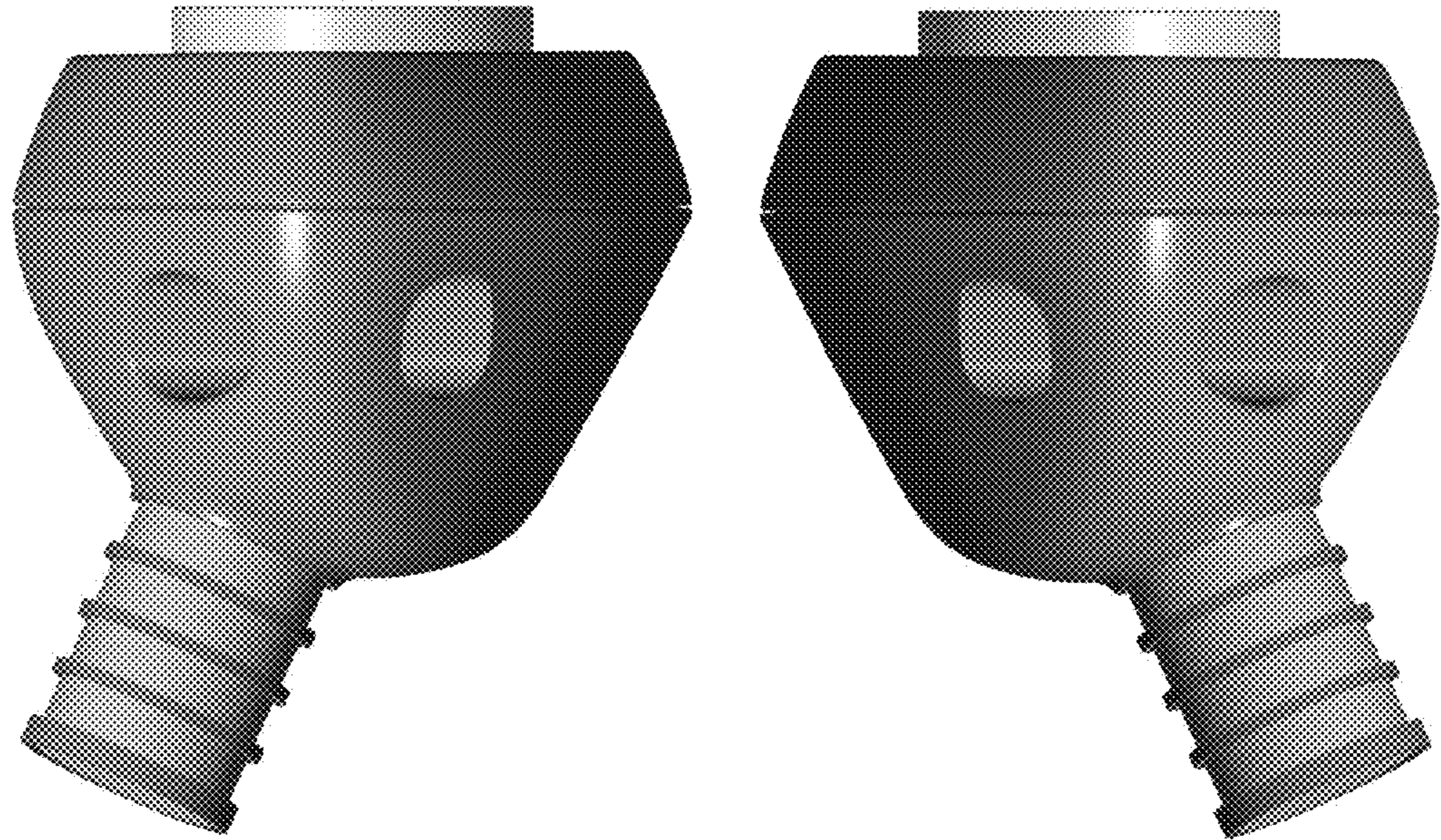
1.2



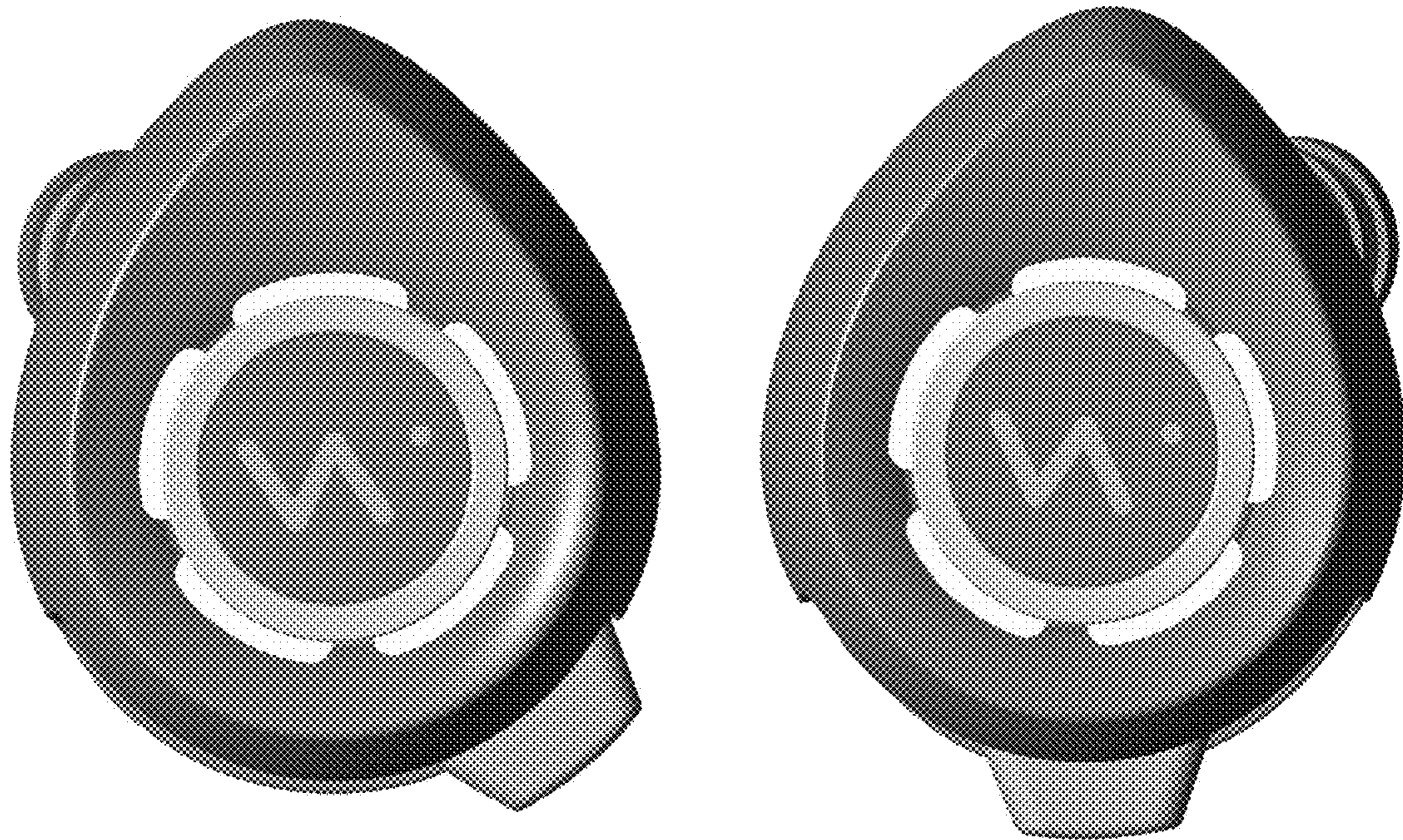
1.3



1.4



1.5



1.6



1.7

