

US00D943086S

(12) **United States Design Patent**  
**Zeng et al.**

(10) **Patent No.:** **US D943,086 S**

(45) **Date of Patent:** **\*\* Feb. 8, 2022**

- (54) **FAN**
- (71) Applicant: **O2COOL, LLC**, Chicago, IL (US)
- (72) Inventors: **Tom Zeng**, Shenzhen (CN); **Eric F. Junkel**, Mount Prospect, IL (US)
- (73) Assignee: **O2COOL, LLC**, Chicago, IL (US)
- (\*\*) Term: **15 Years**
- (21) Appl. No.: **29/730,409**
- (22) Filed: **Apr. 3, 2020**
- (51) **LOC (13) Cl.** ..... **23-03**
- (52) **U.S. Cl.**  
USPC ..... **D23/411**; D23/382
- (58) **Field of Classification Search**  
USPC ..... D23/200, 223, 228, 314, 328, 332, 333,  
D23/335, 336, 337, 351, 355, 356, 370,  
D23/371, 378-380, 381, 382, 383,  
D23/411-412; D21/455; D14/251, 253  
CPC .... F04D 25/0673; F04D 25/08; F04D 25/084;  
F04D 29/4226  
See application file for complete search history.

- 2015/0257288 A1\* 9/2015 Livernois ..... H04B 1/3877  
248/346.06
- 2018/0220782 A1\* 8/2018 Mody ..... A45F 5/00
- 2019/0083892 A1\* 3/2019 Howard ..... A63H 27/02
- 2019/0338786 A1\* 11/2019 Jones ..... F04D 19/002

**OTHER PUBLICATIONS**

Product Information for Otto Fan, Stadler Form, retrieved on Mar. 17, 2020, from <https://www.stadlerform.com/en-ch/products/fan/otto/information/>.

\* cited by examiner

*Primary Examiner* — Sharon S Oum

(74) *Attorney, Agent, or Firm* — Thompson Coburn LLP

(57) **CLAIM**

The ornamental design for a fan, as shown and described.

**DESCRIPTION**

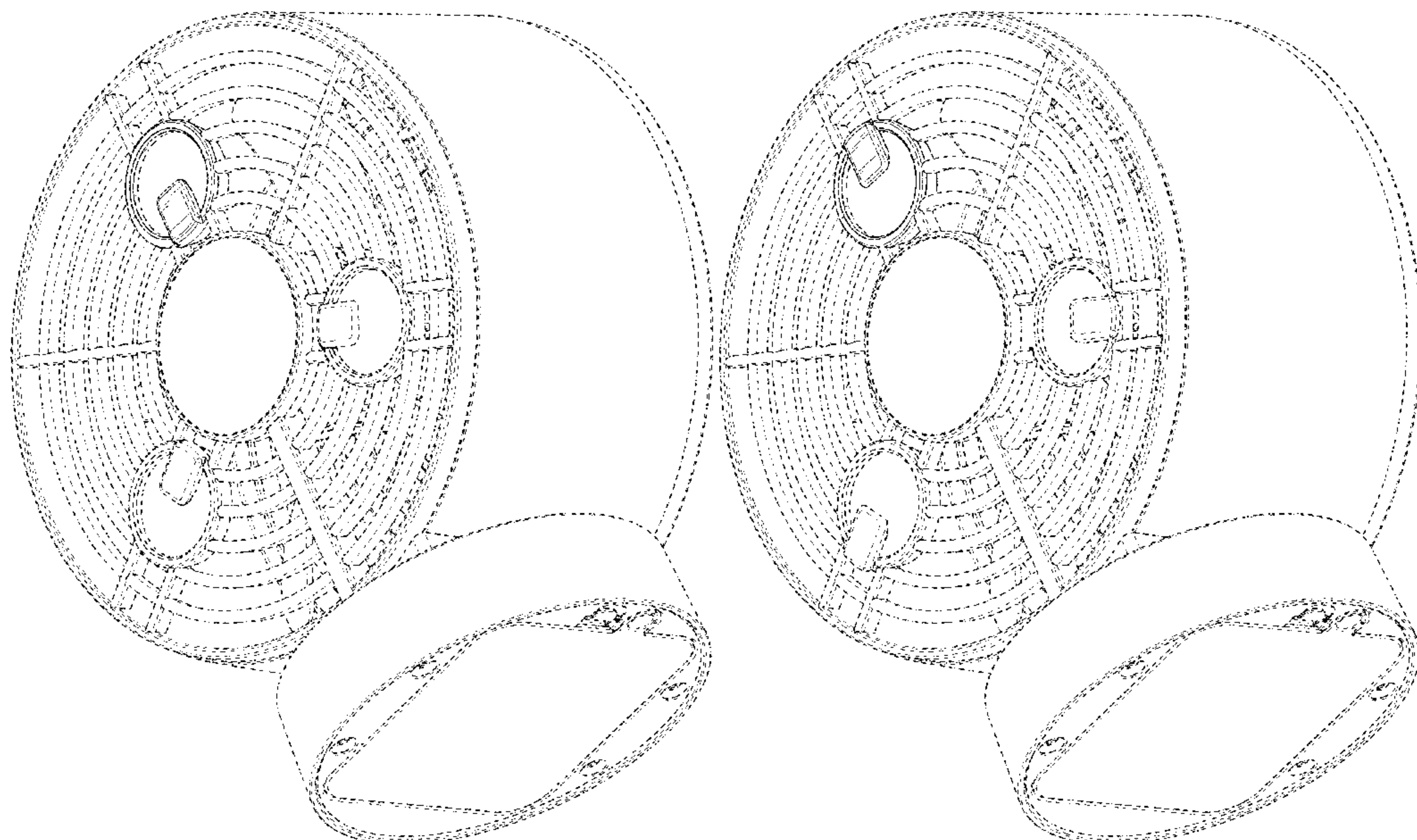
FIG. 1 is a first perspective view of the fan showing our new design in a first embodiment;  
 FIG. 2 is a left side view thereof;  
 FIG. 3 is a right side view thereof;  
 FIG. 4 is a front view thereof;  
 FIG. 5 is a rear view thereof;  
 FIG. 6 is a second perspective view thereof;  
 FIG. 7 is a perspective view of the fan in a second embodiment;  
 FIG. 8 is a left side view thereof;  
 FIG. 9 is a right side view thereof;  
 FIG. 10 is a front view thereof;  
 FIG. 11 is a rear view thereof; and,  
 FIG. 12 is a further perspective view thereof.  
 The dash-dot-dash broken lines immediately adjacent the shaded areas represent the bounds of the claimed design while all other broken lines are directed to portions of the fan. The broken lines form no part of the claimed design.

**1 Claim, 12 Drawing Sheets**

(56) **References Cited**

**U.S. PATENT DOCUMENTS**

D597,195 S	7/2009	Zhuang	
D765,662 S *	9/2016	Kang	D14/439
D812,563 S *	3/2018	Akana	D13/108
D814,476 S *	4/2018	Roberts	D14/440
D846,108 S *	4/2019	Ruan	D23/370
D855,048 S *	7/2019	Kim	D14/253
D855,171 S *	7/2019	Xu	D23/382
D856,590 S *	8/2019	Kaplan	D28/87
D859,620 S *	9/2019	Le	D23/335
D907,188 S *	1/2021	Zhang	D23/382
D907,189 S *	1/2021	Zhang	D23/382
D908,858 S *	1/2021	Yang	D23/382



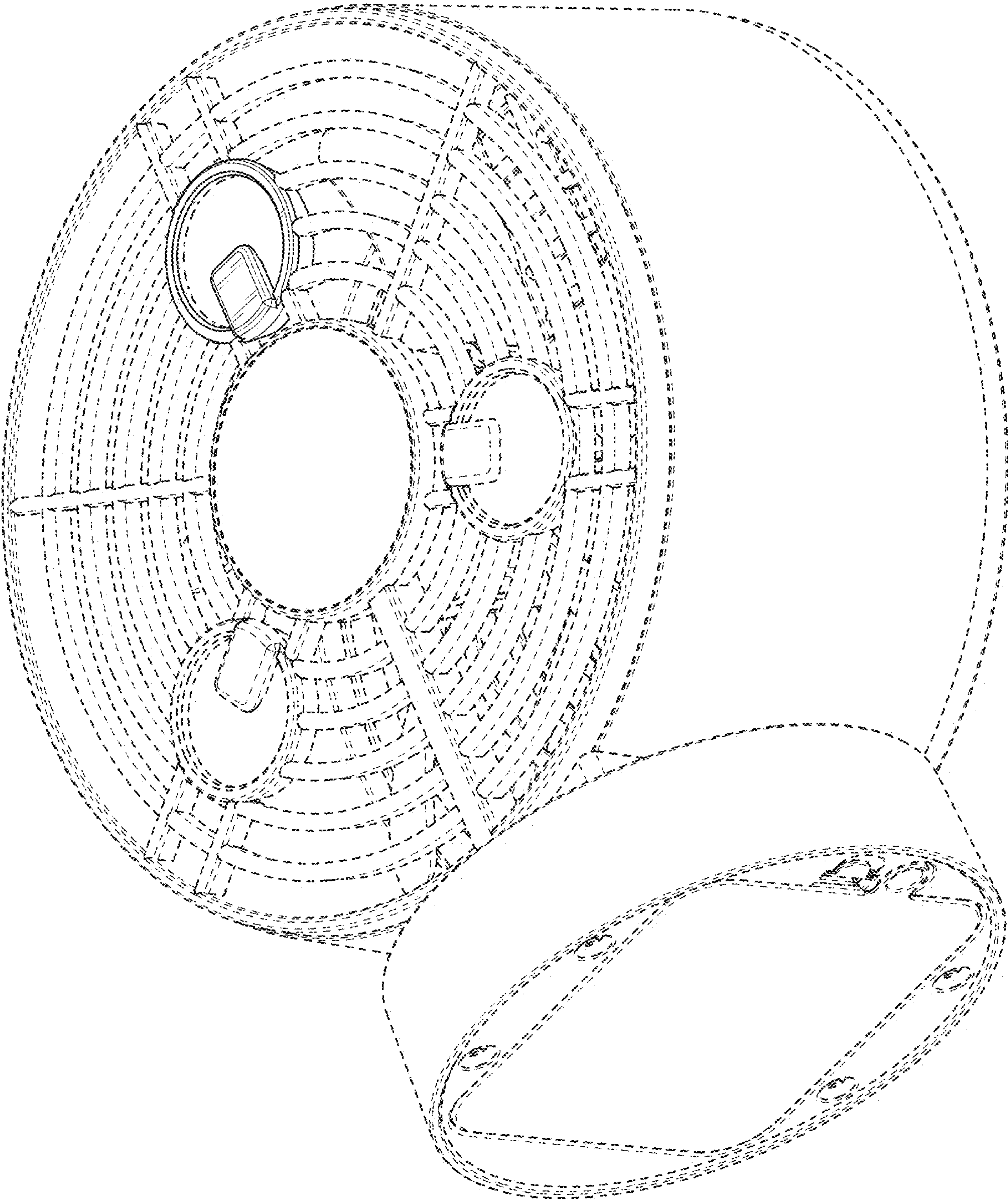


FIG. 1



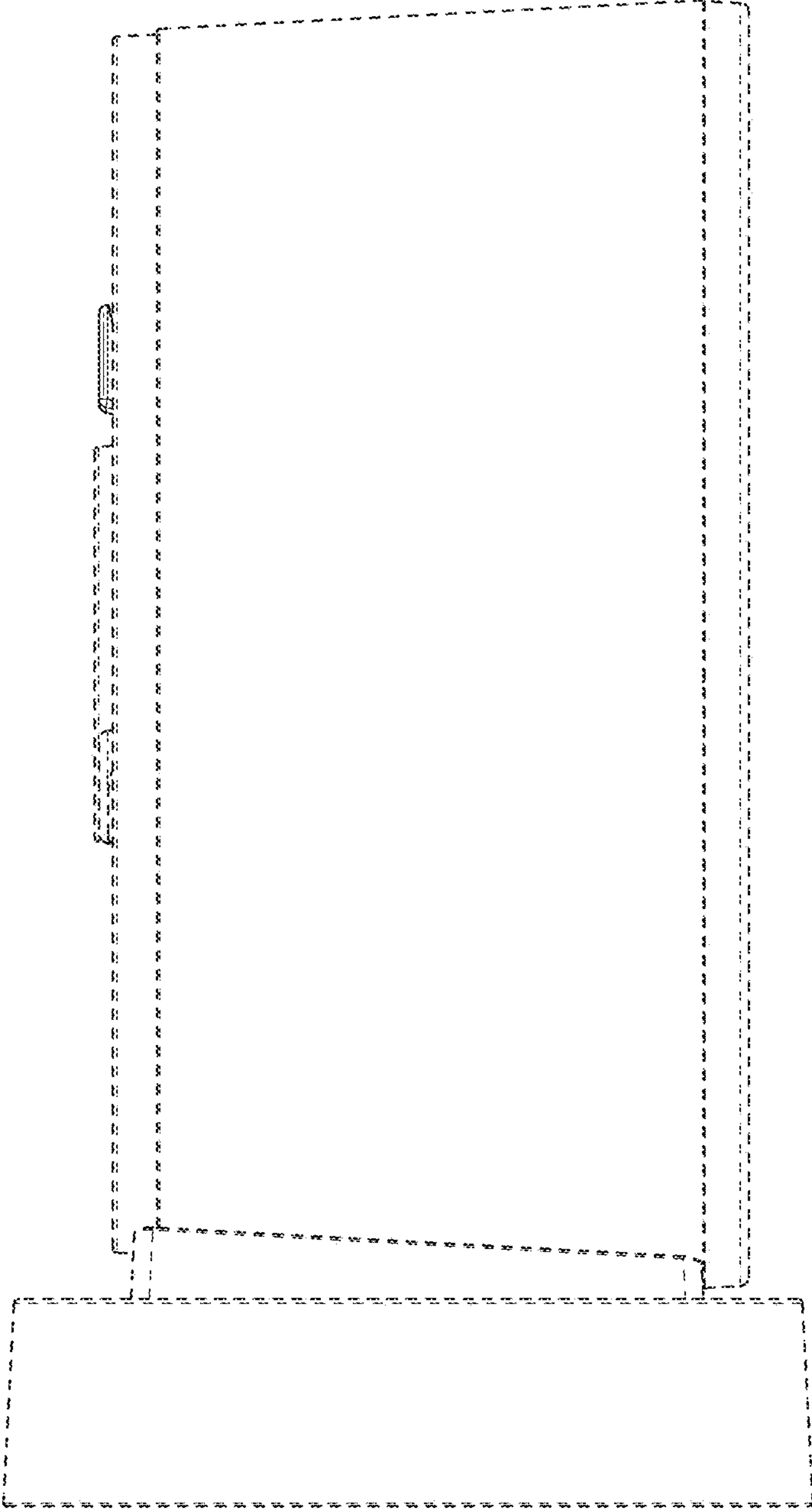


FIG. 2

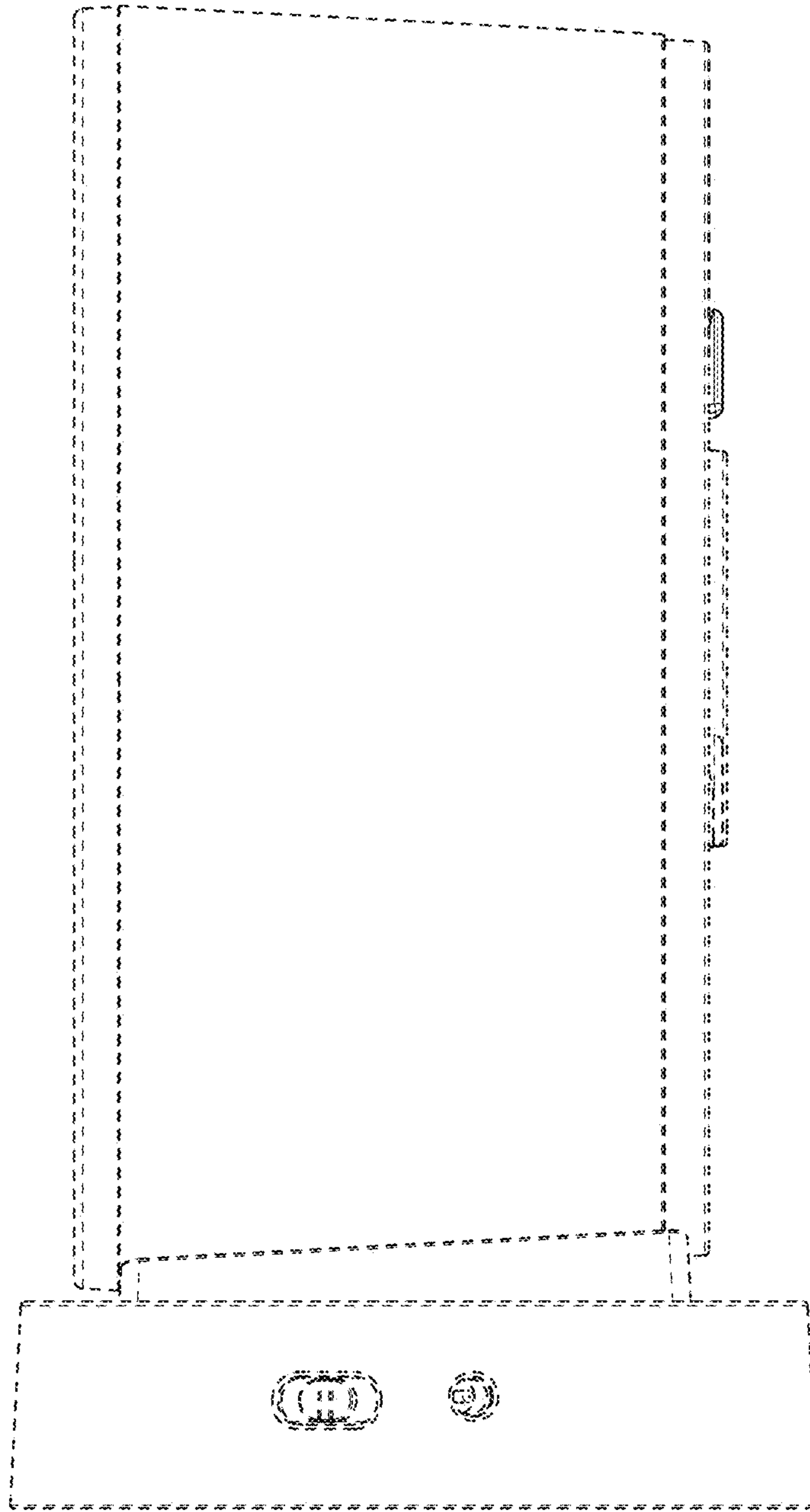


FIG. 3

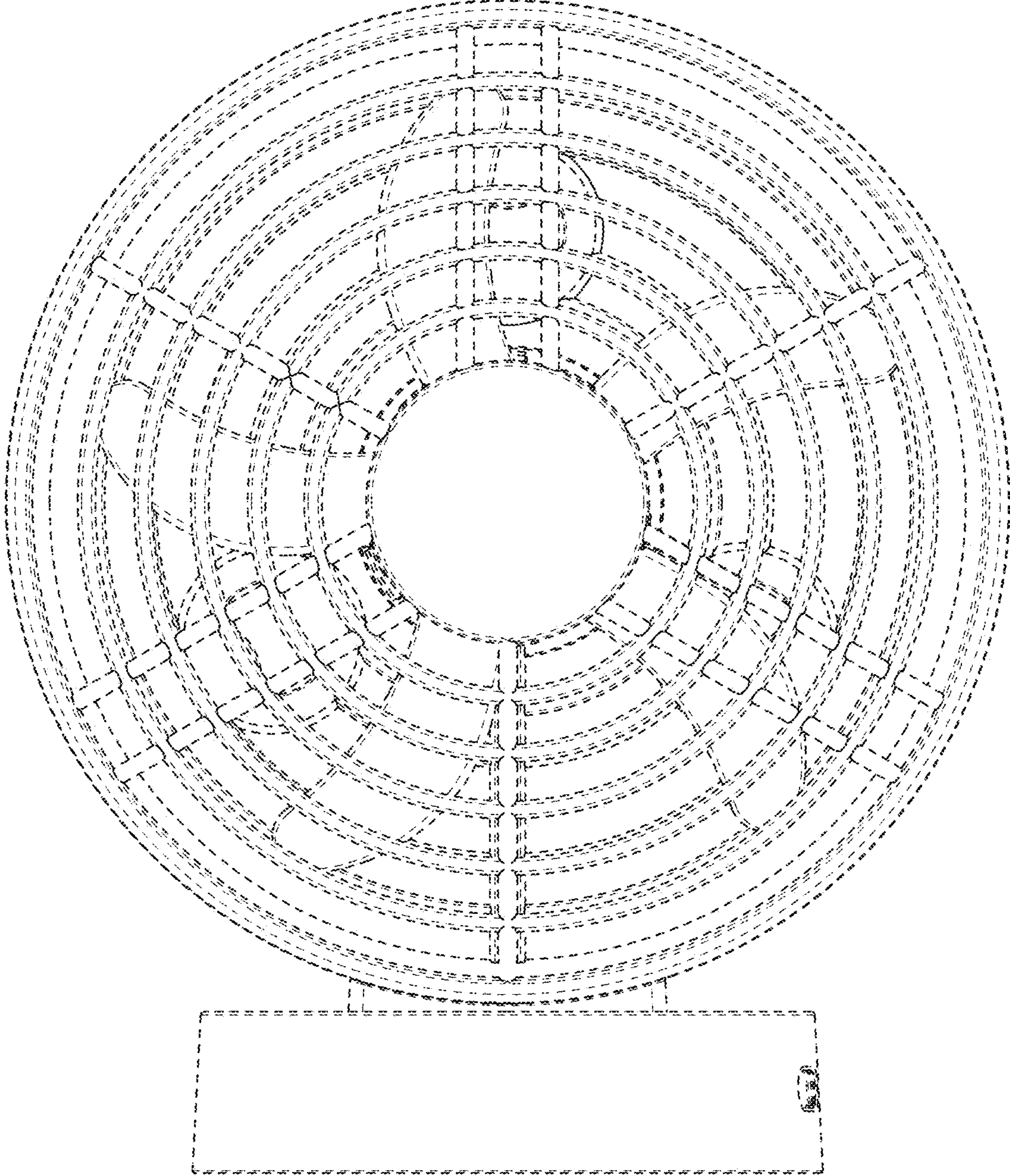


FIG. 4



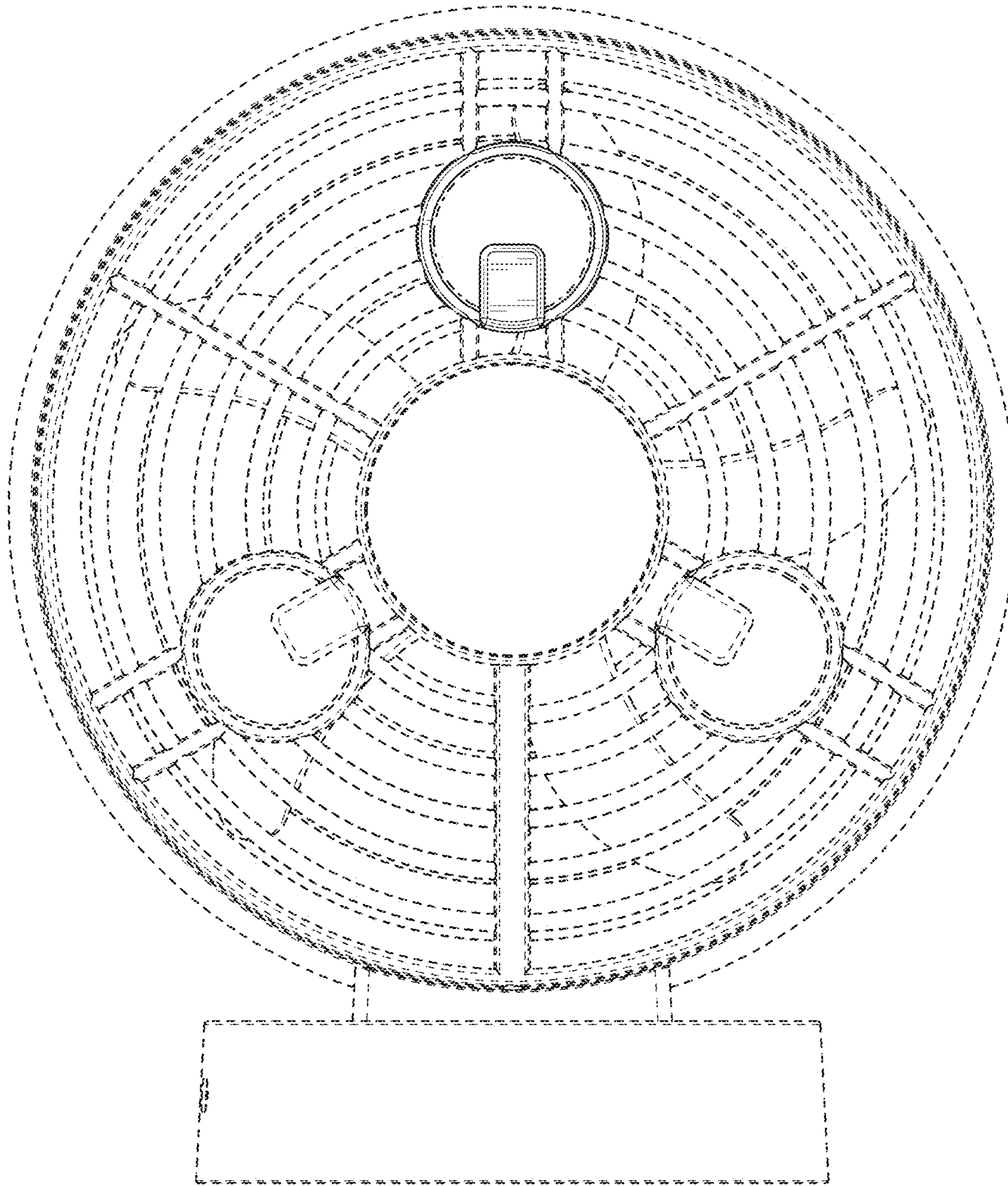


FIG. 5

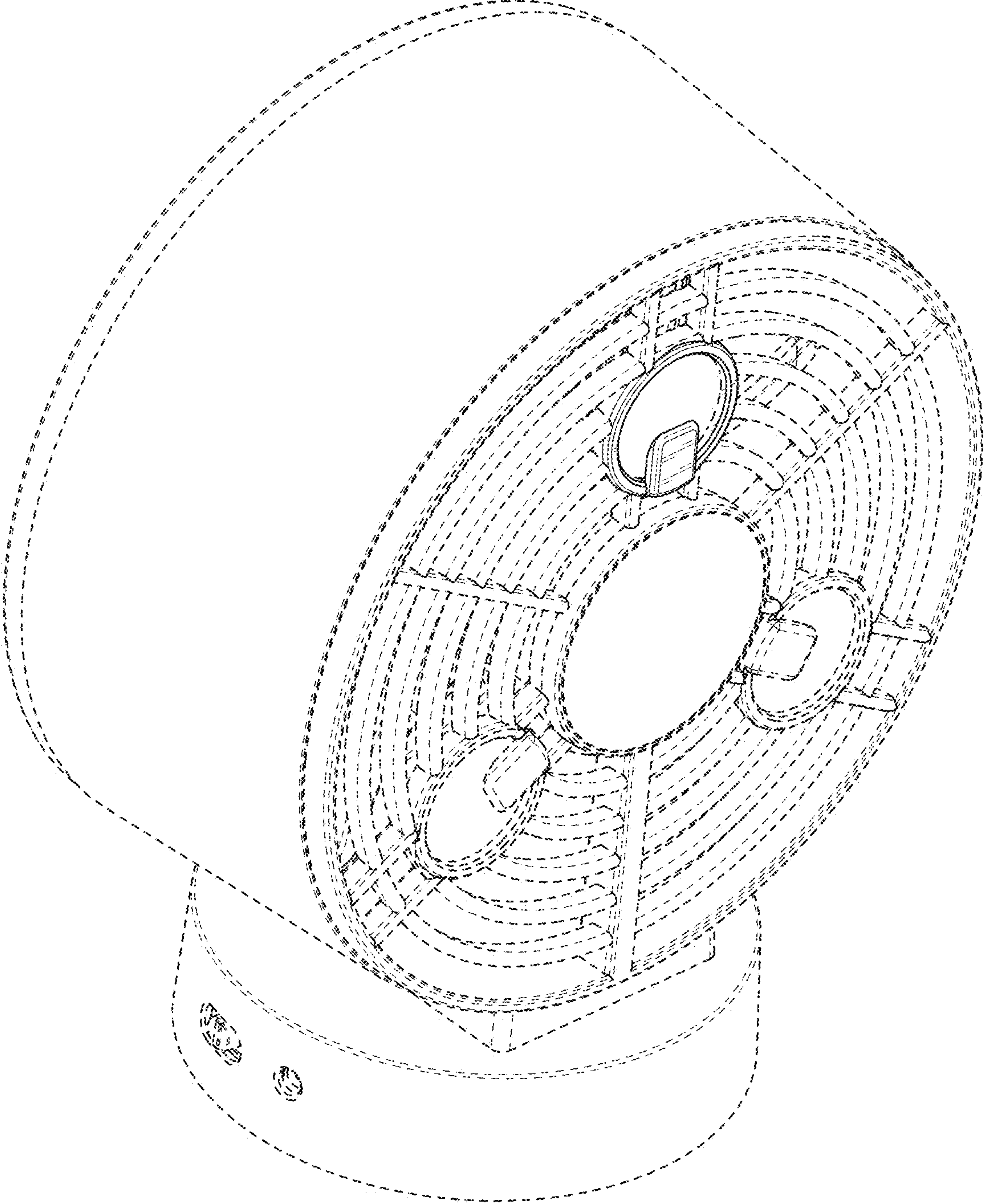


FIG. 6



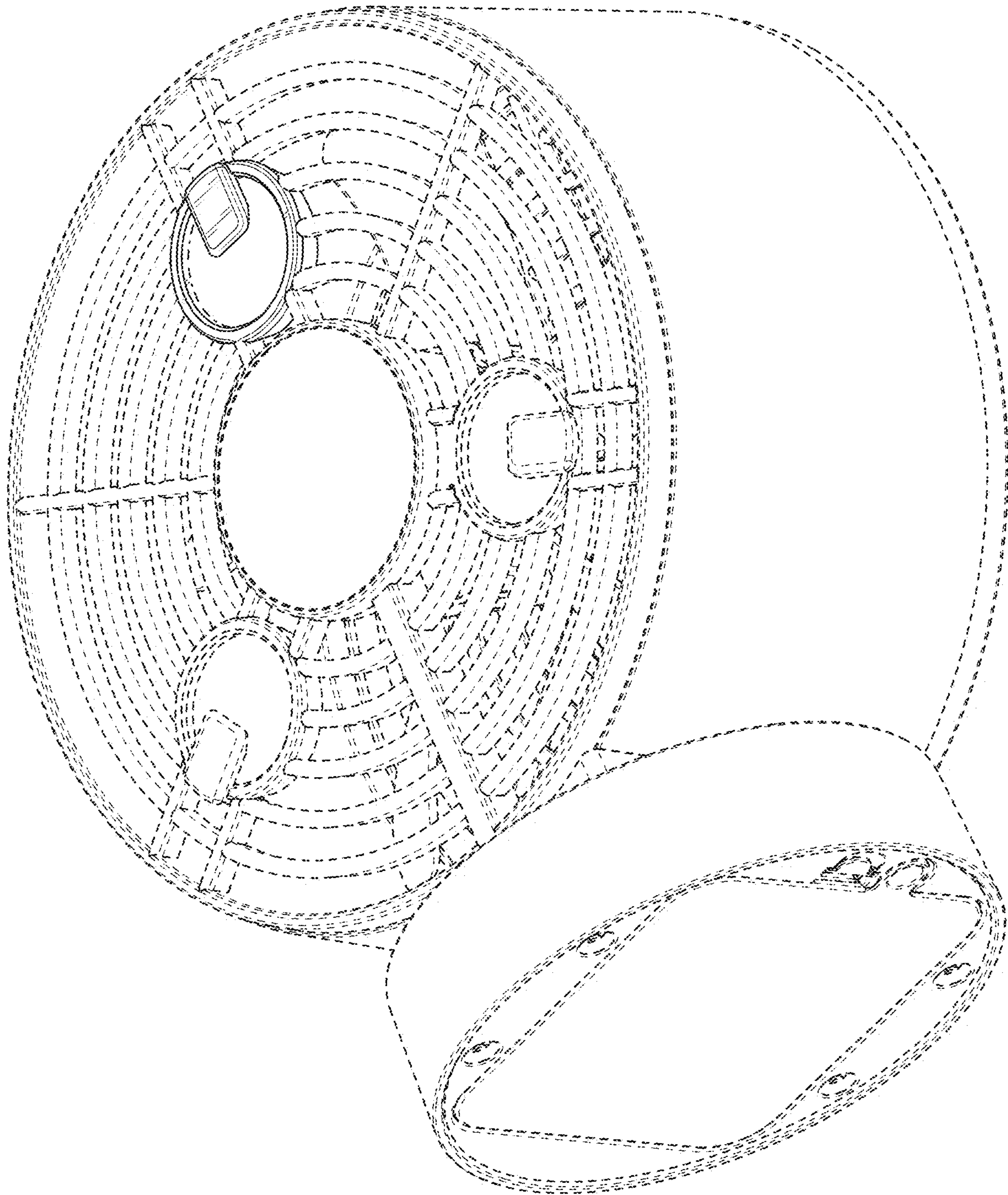


FIG. 7



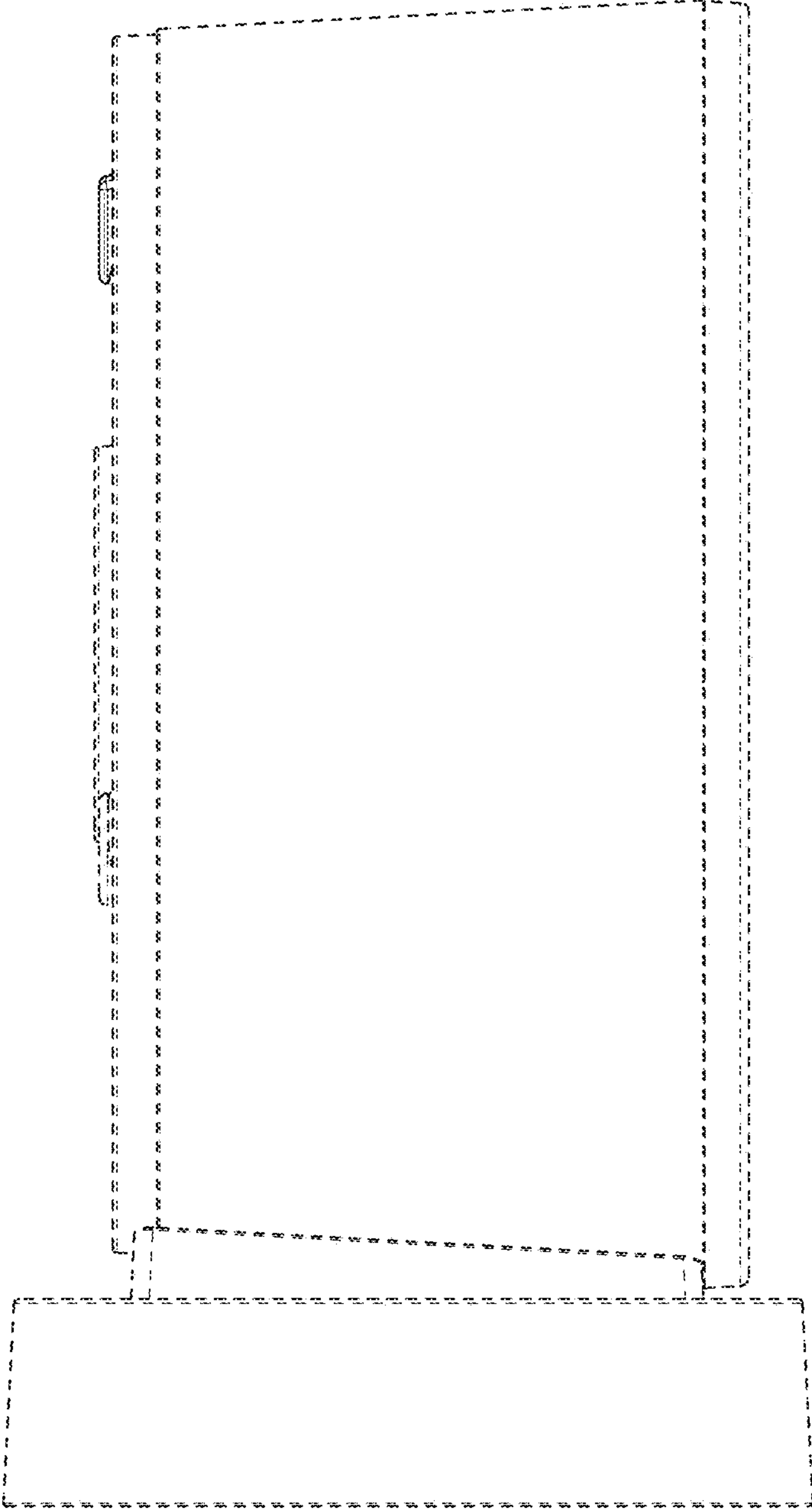


FIG. 8

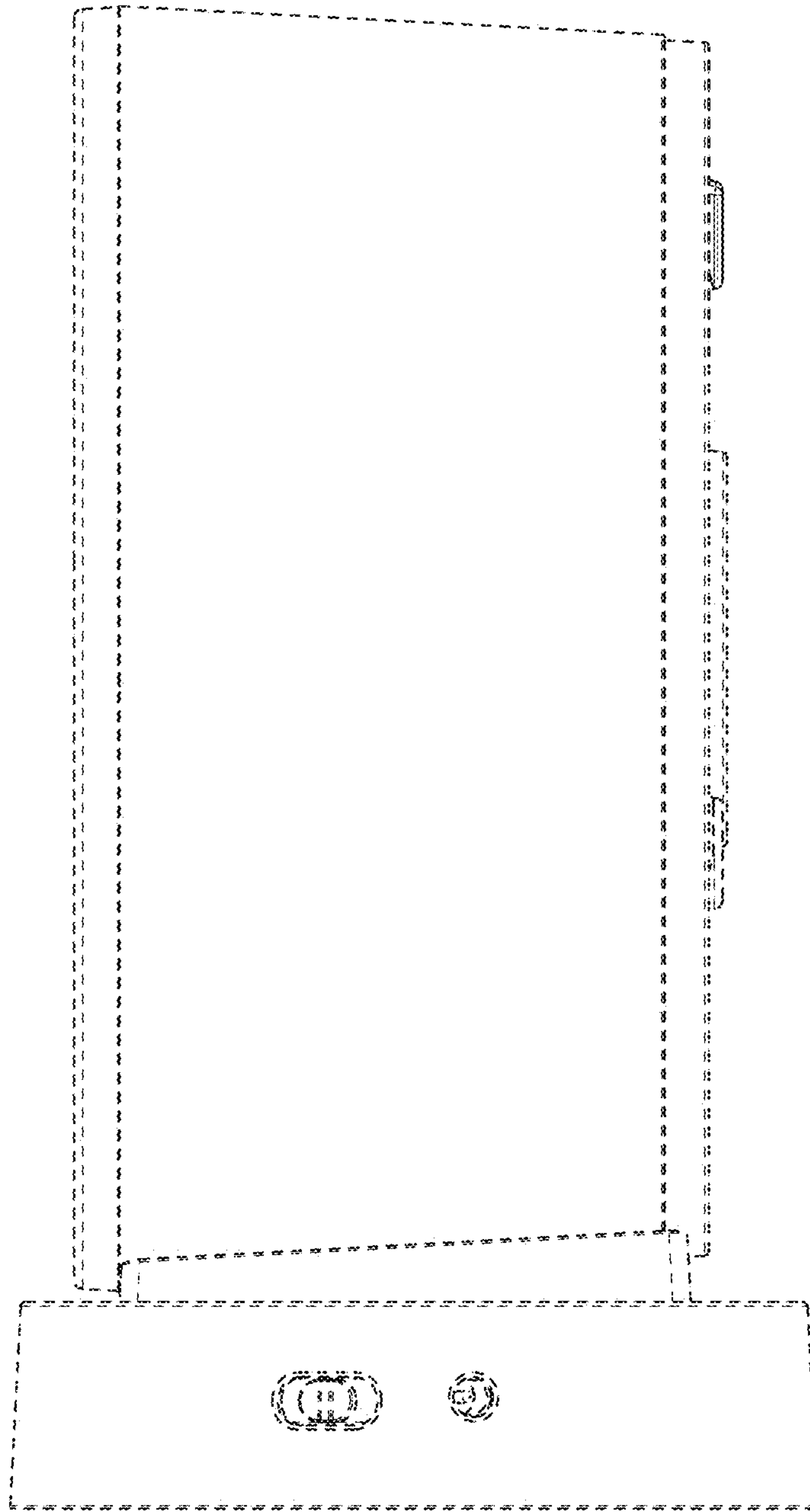


FIG. 9

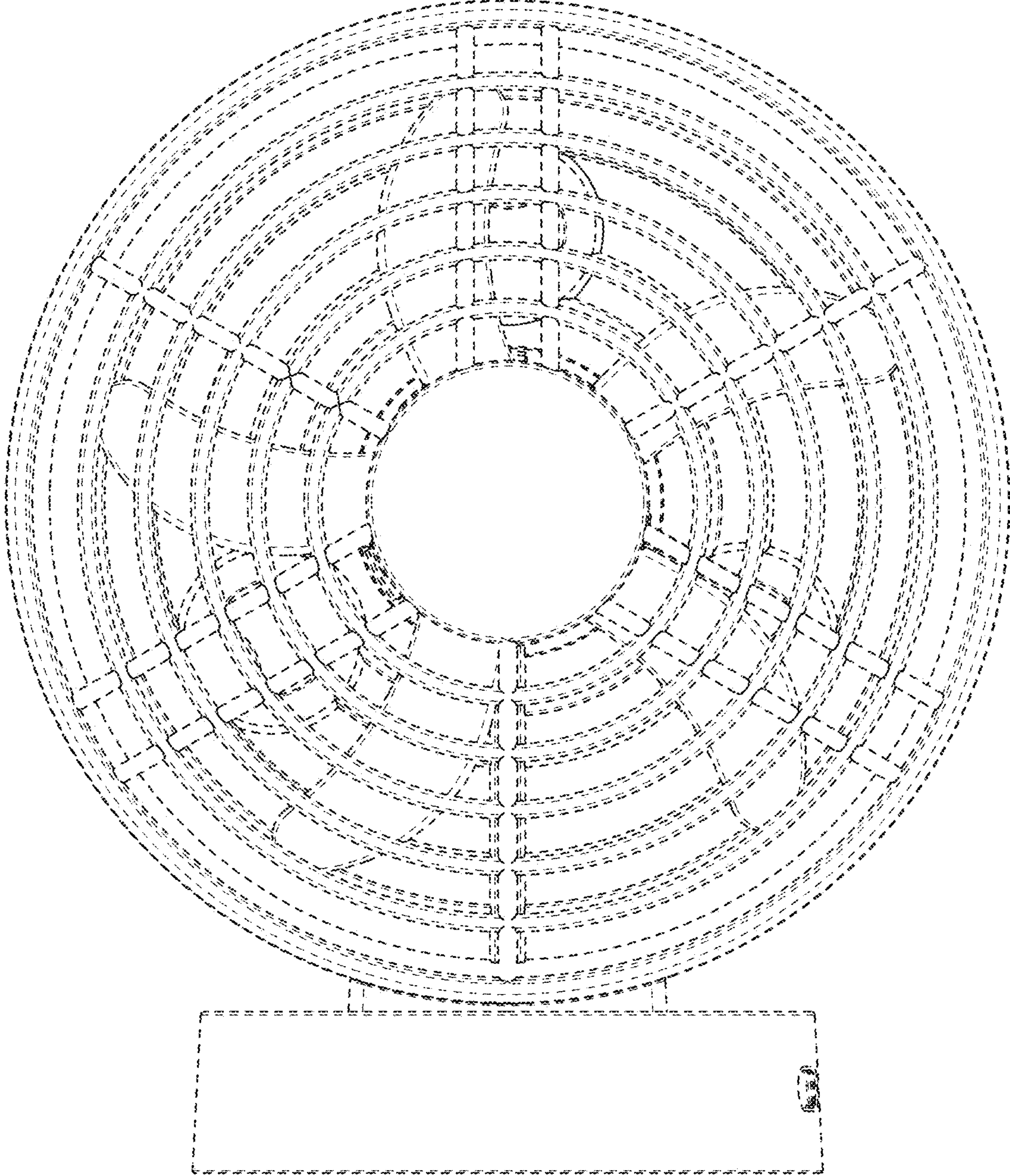


FIG. 10



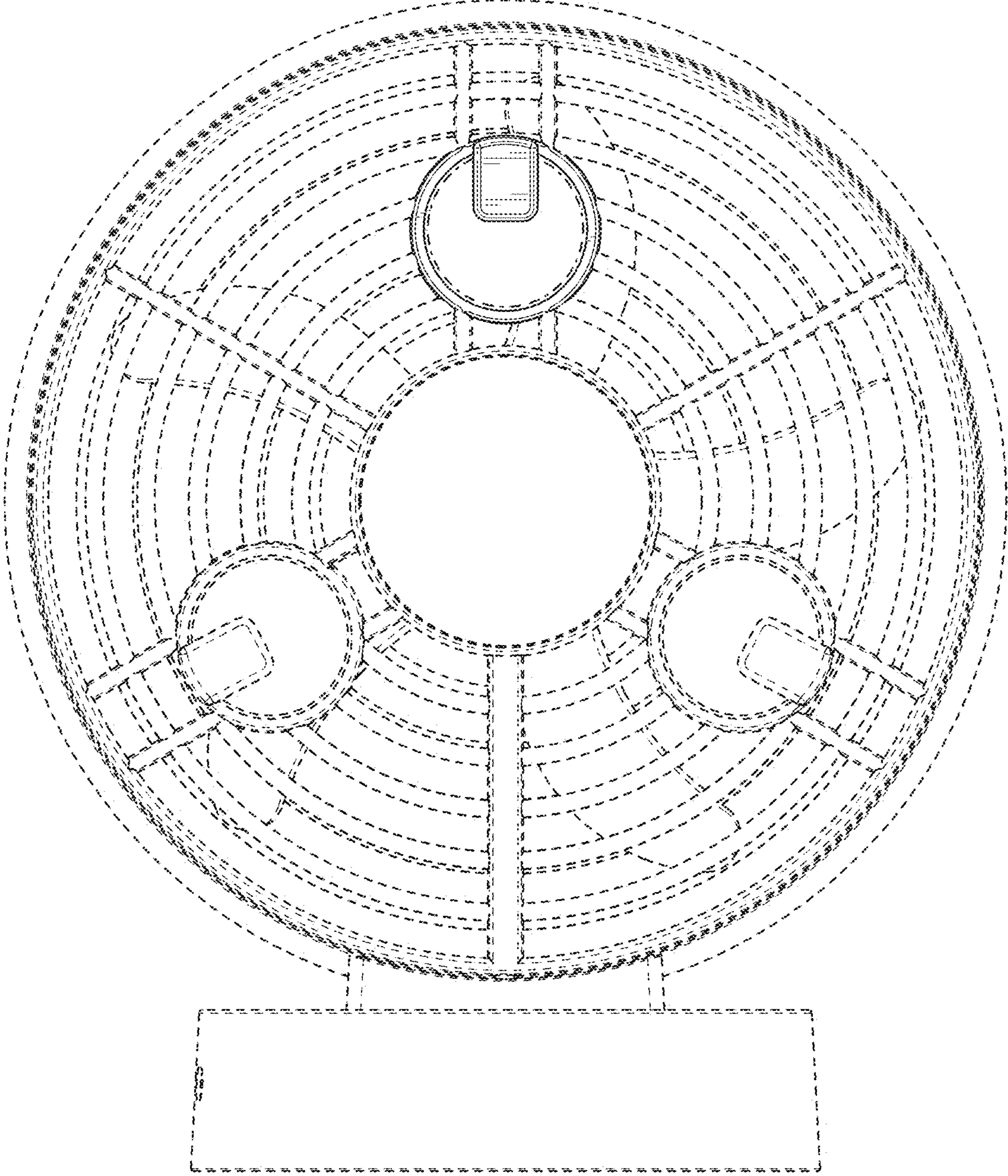


FIG. 11

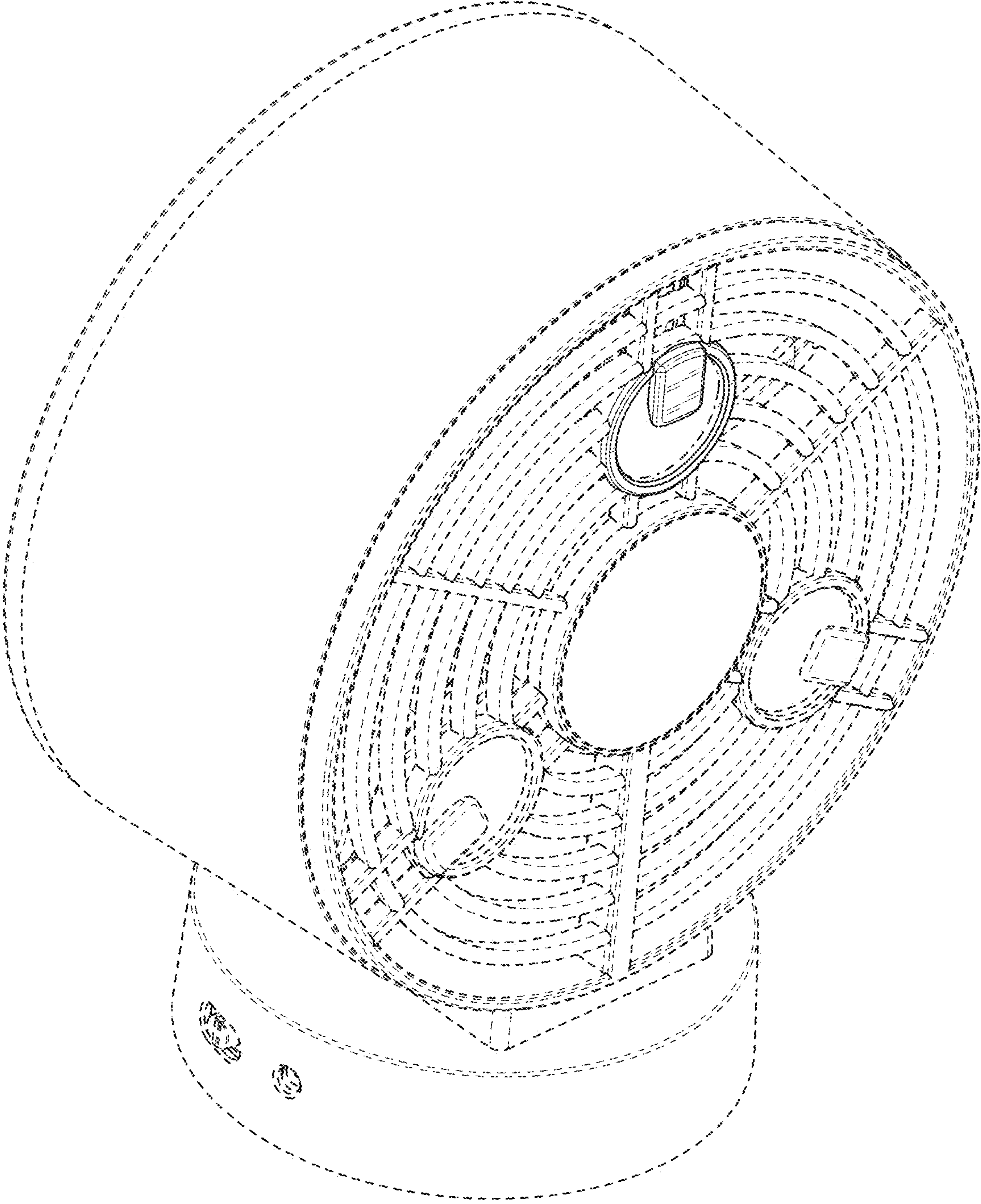


FIG. 12