

US00D943085S

(12) **United States Design Patent** (10) **Patent No.:** **US D943,085 S**  
**Oddy** (45) **Date of Patent:** **\*\* Feb. 8, 2022**

(54) **EXHAUST VENT FOR ROOFING**  
(71) Applicant: **Ryan Oddy**, Miles City, MT (US)  
(72) Inventor: **Ryan Oddy**, Miles City, MT (US)  
(\*\*) Term: **15 Years**

4,835,825 A \* 6/1989 Warner ..... B21D 17/02  
29/243.518  
D310,874 S \* 9/1990 Utley, Jr. .... D13/102  
D329,086 S \* 9/1992 Courchesne ..... D23/371  
D365,873 S \* 1/1996 Van Belle ..... 114/201 R  
D428,484 S \* 7/2000 Zirk ..... D23/393  
(Continued)

(21) Appl. No.: **29/745,197**  
(22) Filed: **Aug. 4, 2020**  
(51) **LOC (13) Cl.** ..... **23-03**  
(52) **U.S. Cl.**  
USPC ..... **D23/393**  
(58) **Field of Classification Search**  
USPC ..... D23/259, 260, 354, 355, 370, 371, 373,  
D23/381, 382, 385, 386, 387, 388, 389,  
D23/390, 392, 393  
CPC ..... E04D 13/152; E04F 17/026; F24F 13/00;  
F24F 13/02; F24F 13/0209; F24F 13/06;  
F24F 13/0604; F24F 13/10; F24F 13/12;  
F24F 13/14; F24F 13/15; F24F 13/16;  
F24F 13/18; F24F 13/20; F24F 7/02;  
F24F 7/025; F24F 7/065  
See application file for complete search history.

**OTHER PUBLICATIONS**

QuietCool Smart Roof Mount Attic Fan, Jul. 13, 2020, Amazon, site visited Dec. 6, 2021: <https://www.amazon.com/dp/B08CVSML8T/> (Year: 2020).\*

(Continued)

*Primary Examiner* — Jack Reickel  
*Assistant Examiner* — Bobby W Jones, II  
(74) *Attorney, Agent, or Firm* — Michael C. Balaguy

(57) **CLAIM**

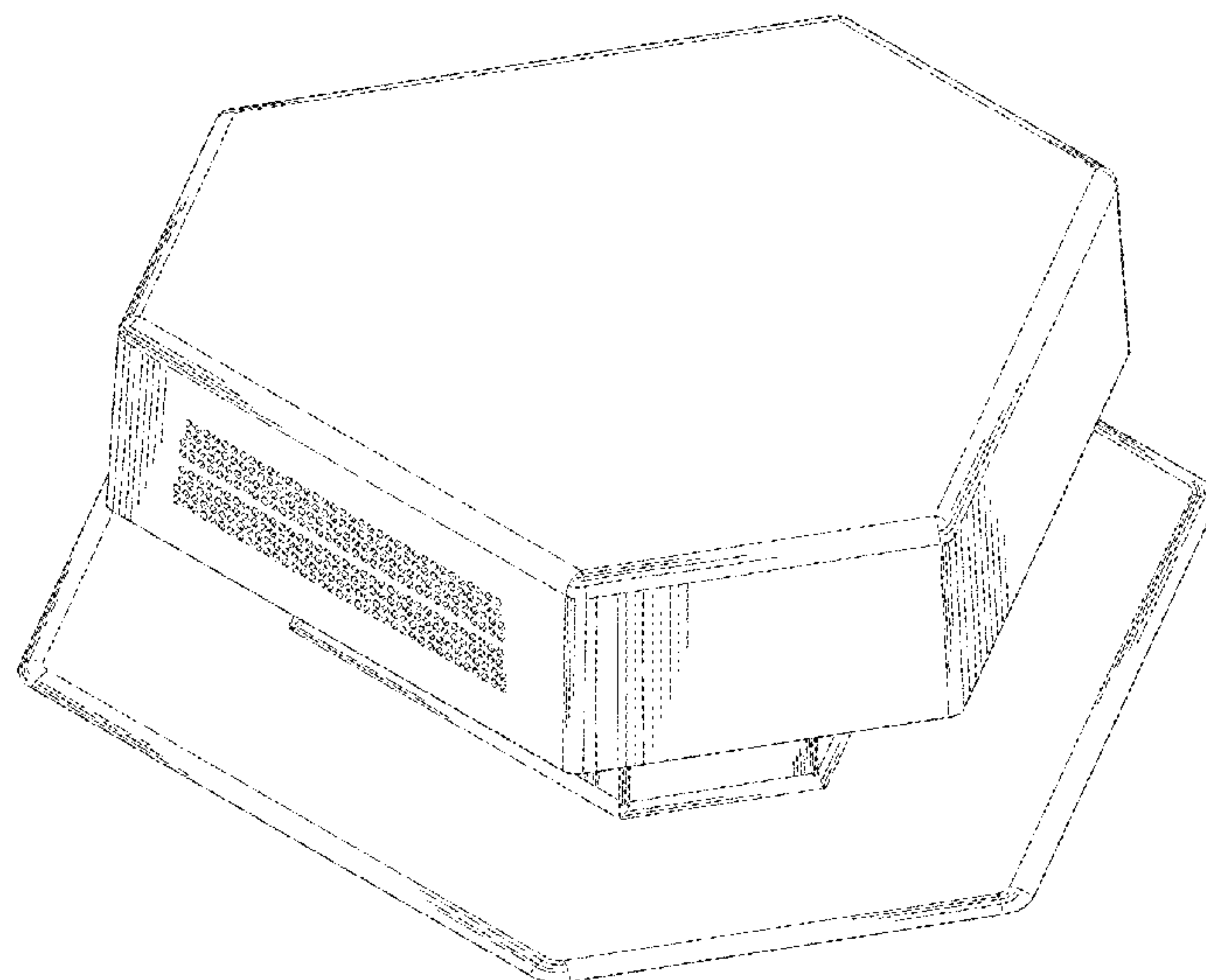
The ornamental design for an exhaust vent for roofing, as shown and described.

**DESCRIPTION**

FIG. 1 is a top-right-front perspective view of the exhaust vent for roofing.  
FIG. 2 is a top-right-rear view of the exhaust vent for roofing of FIG. 1.  
FIG. 3 is a top-left-rear view of the exhaust vent for roofing of FIG. 1.  
FIG. 4 is a top-left-front view of the exhaust vent for roofing of FIG. 1.  
FIG. 5 is a bottom-right-front view of the exhaust vent for roofing of FIG. 1.  
FIG. 6 is a bottom-right-rear view of the exhaust vent for roofing of FIG. 1.  
FIG. 7 is a bottom-left-rear view of the exhaust vent for roofing of FIG. 1; and,  
FIG. 8 is a bottom-left-front view of the exhaust vent for roofing of FIG. 1.

(56) **References Cited**  
U.S. PATENT DOCUMENTS  
2,451,193 A \* 10/1948 Brandenburg ..... F24F 7/007  
454/208  
3,107,598 A \* 10/1963 Rudy ..... F24F 7/02  
454/363  
D203,139 S \* 12/1965 Jenn ..... D23/373  
D204,518 S \* 4/1966 Jenn ..... D23/373  
3,421,429 A \* 1/1969 Stone ..... F23L 17/02  
454/34  
D216,795 S \* 3/1970 Field ..... D23/373  
3,520,093 A \* 7/1970 Painter ..... E04D 13/0325  
52/200  
4,036,120 A \* 7/1977 Burtenshaw ..... F24F 7/025  
454/34  
D297,259 S \* 8/1988 Wen-Tun ..... D23/337

**1 Claim, 8 Drawing Sheets**



(56)

**References Cited**

U.S. PATENT DOCUMENTS

D434,489 S \* 11/2000 Smith ..... D23/388  
D709,174 S \* 7/2014 Rodriguez, Jr. .... F24F 7/02  
D23/373  
D720,056 S \* 12/2014 Maki ..... D23/322  
D846,086 S \* 4/2019 Naber ..... D23/259  
D882,058 S \* 4/2020 Rizo ..... D23/373  
10,907,358 B1 \* 2/2021 McDow, Jr. .... E04D 13/17  
2018/0216845 A1 \* 8/2018 Whitehead ..... F24F 13/14  
2019/0249439 A1 \* 8/2019 Oddy ..... E04D 13/1476  
2020/0256568 A1 \* 8/2020 Oddy ..... F24F 7/02  
2021/0018196 A1 \* 1/2021 Schofel ..... F24F 7/02

OTHER PUBLICATIONS

SNOWVENTCO Upper Roof Exhaust Vent, Mar. 18, 2019, Amazon, site visited Dec. 6, 2021: <https://www.amazon.com/dp/B07PQ9N1LM/> (Year: 2019).\*

AIR VENT 85154, Feb. 7, 2007, Amazon, site visited Dec. 6, 2021: <https://www.amazon.com/dp/B016TQI3L6/> (Year: 2007).\*

\* cited by examiner

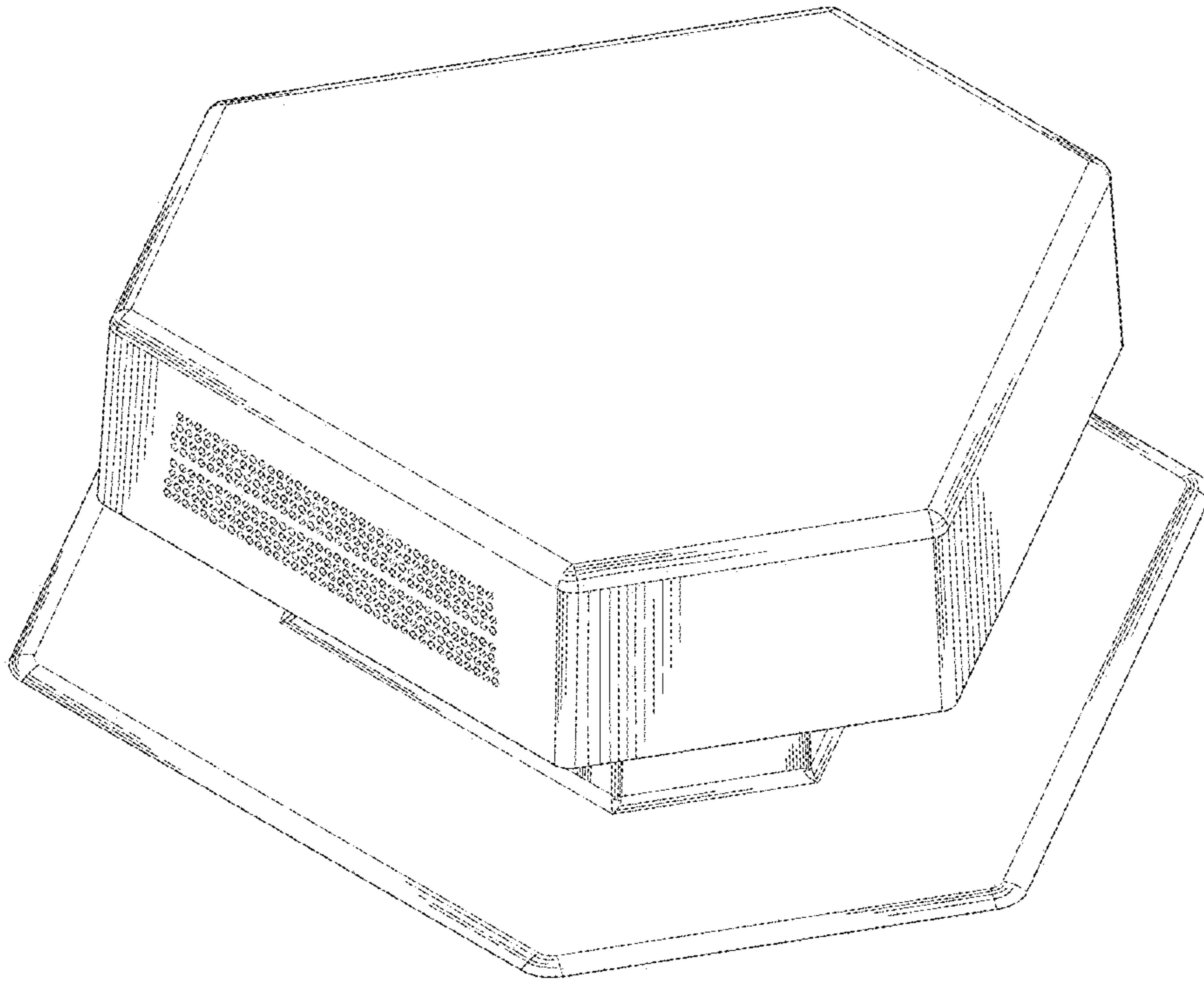


FIG. 1

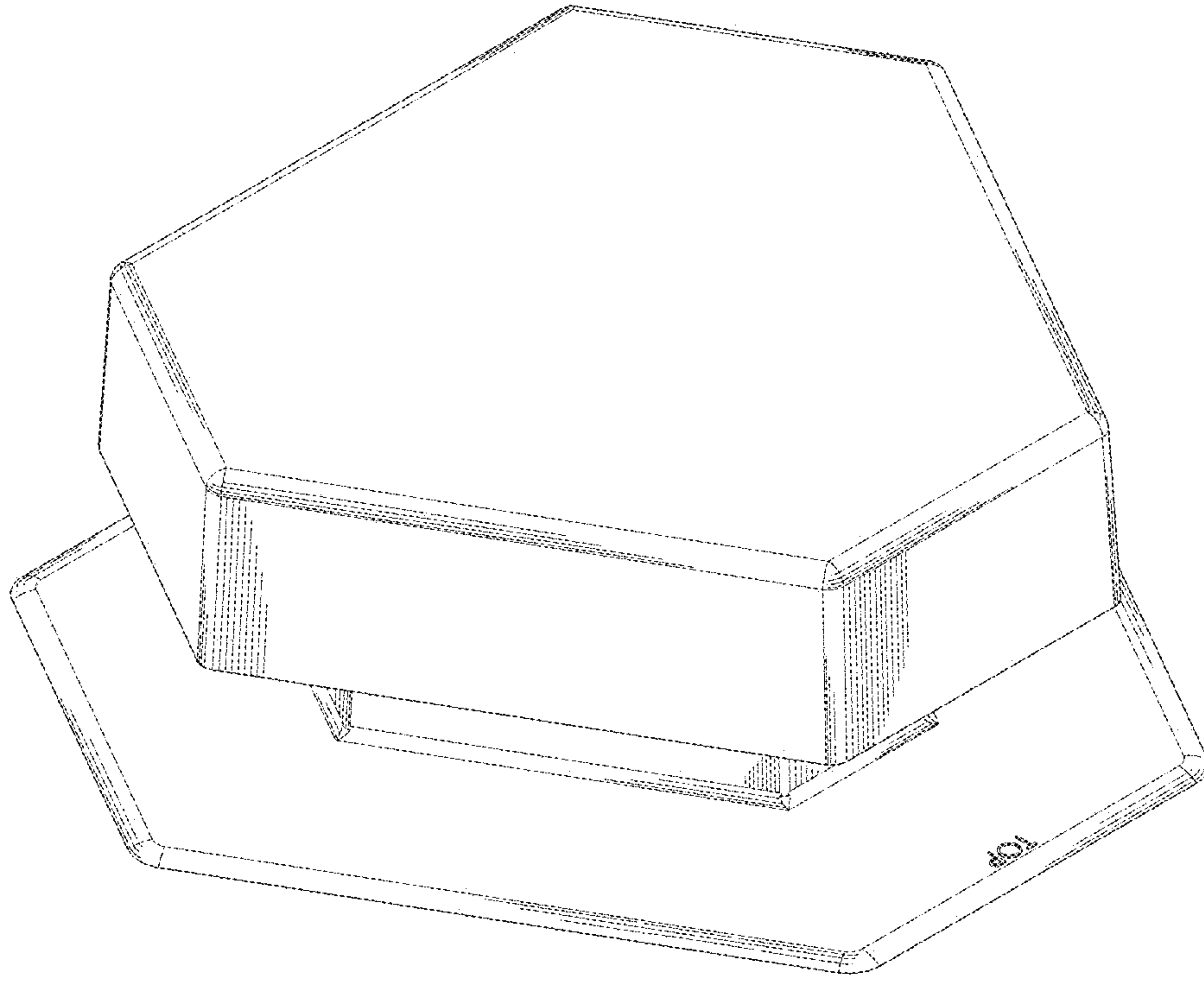


FIG. 2

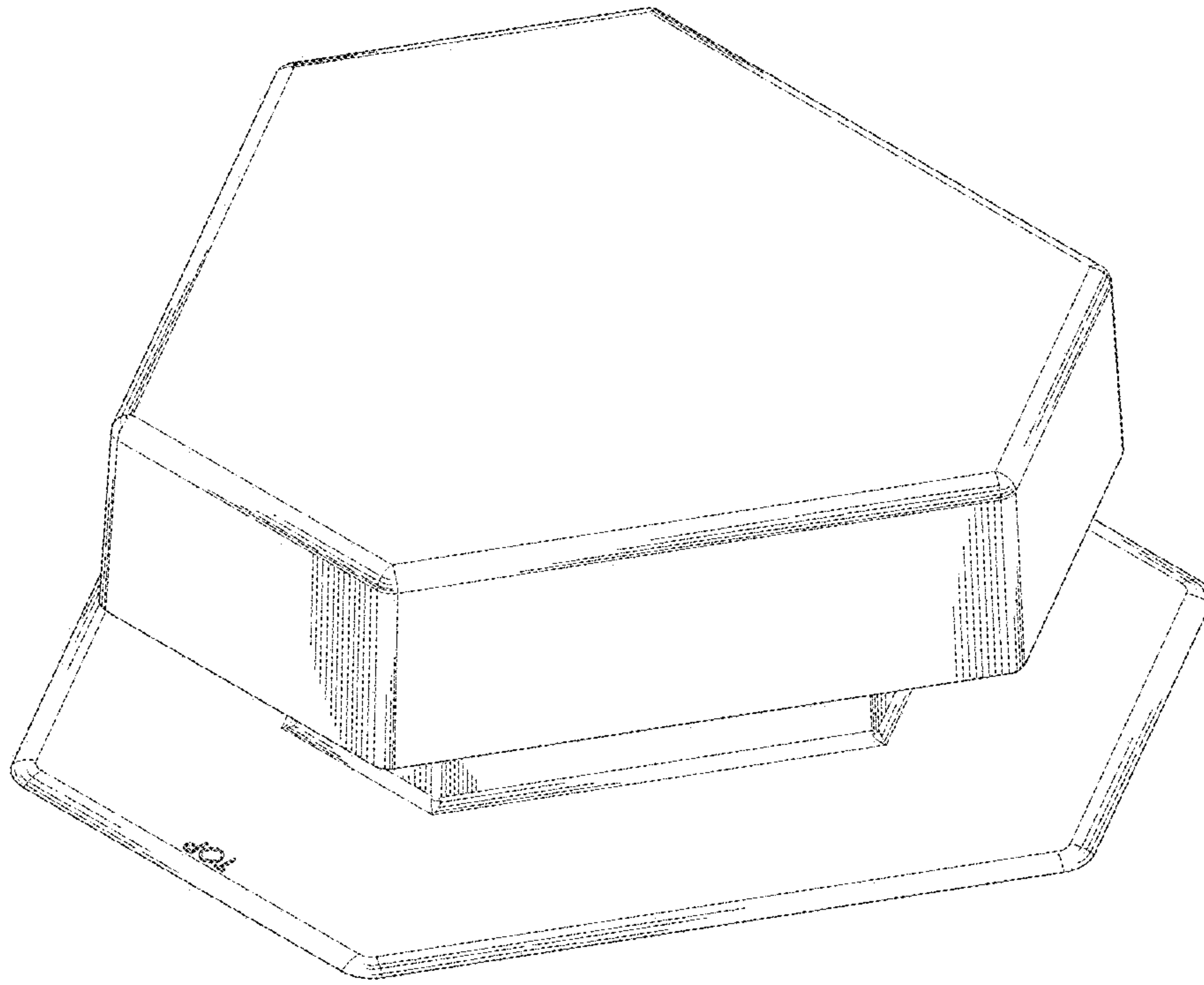


FIG. 3



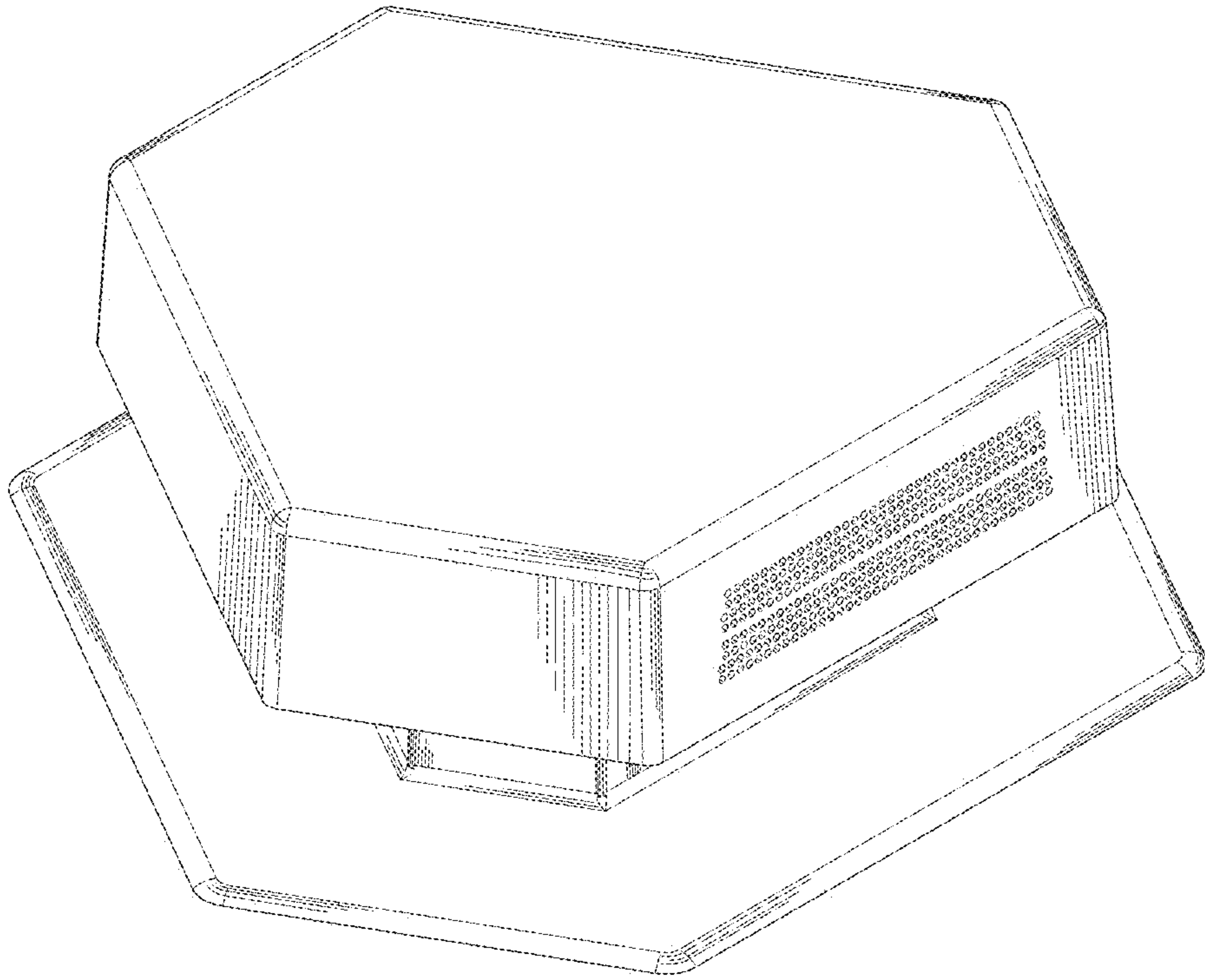


FIG. 4

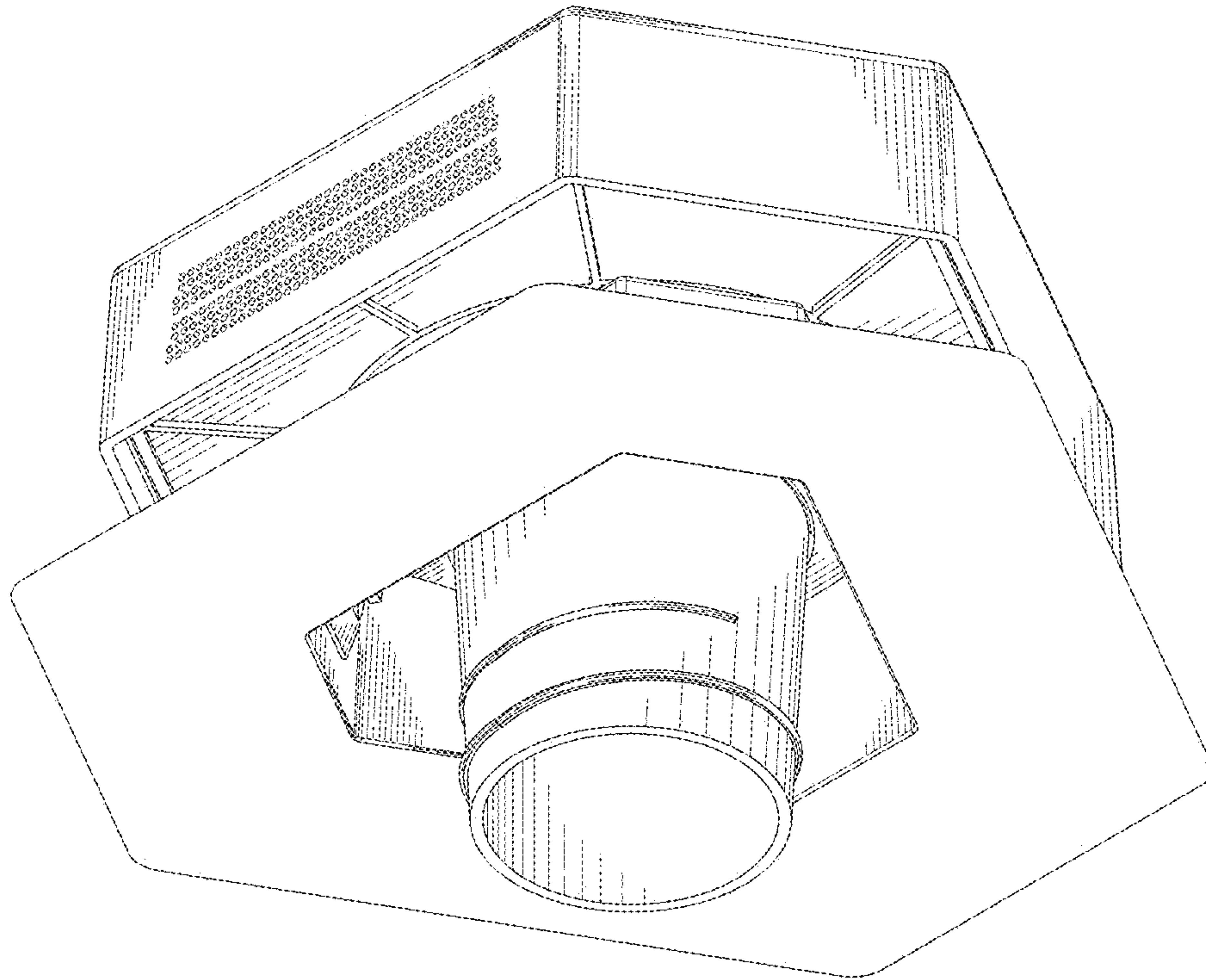


FIG. 5

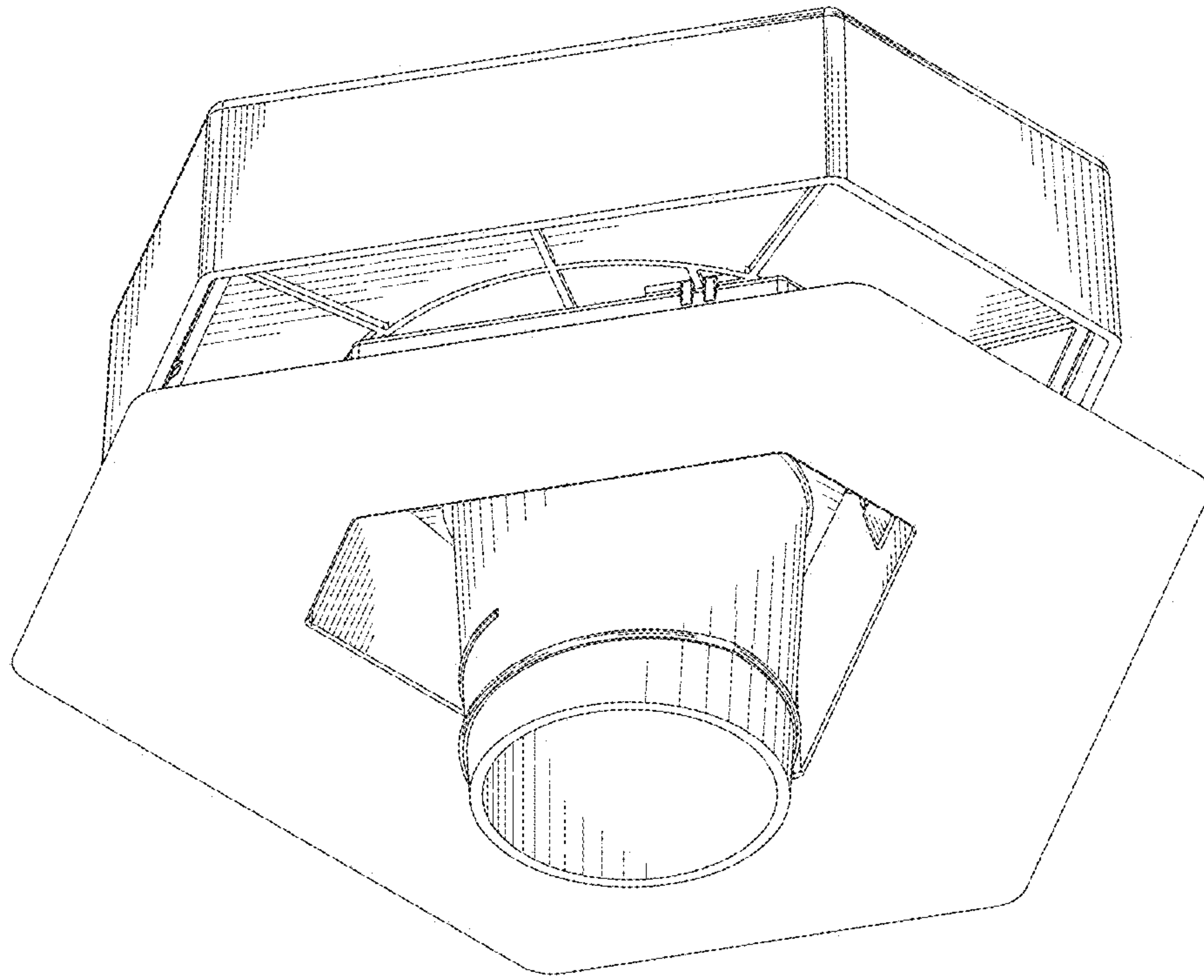


FIG. 6



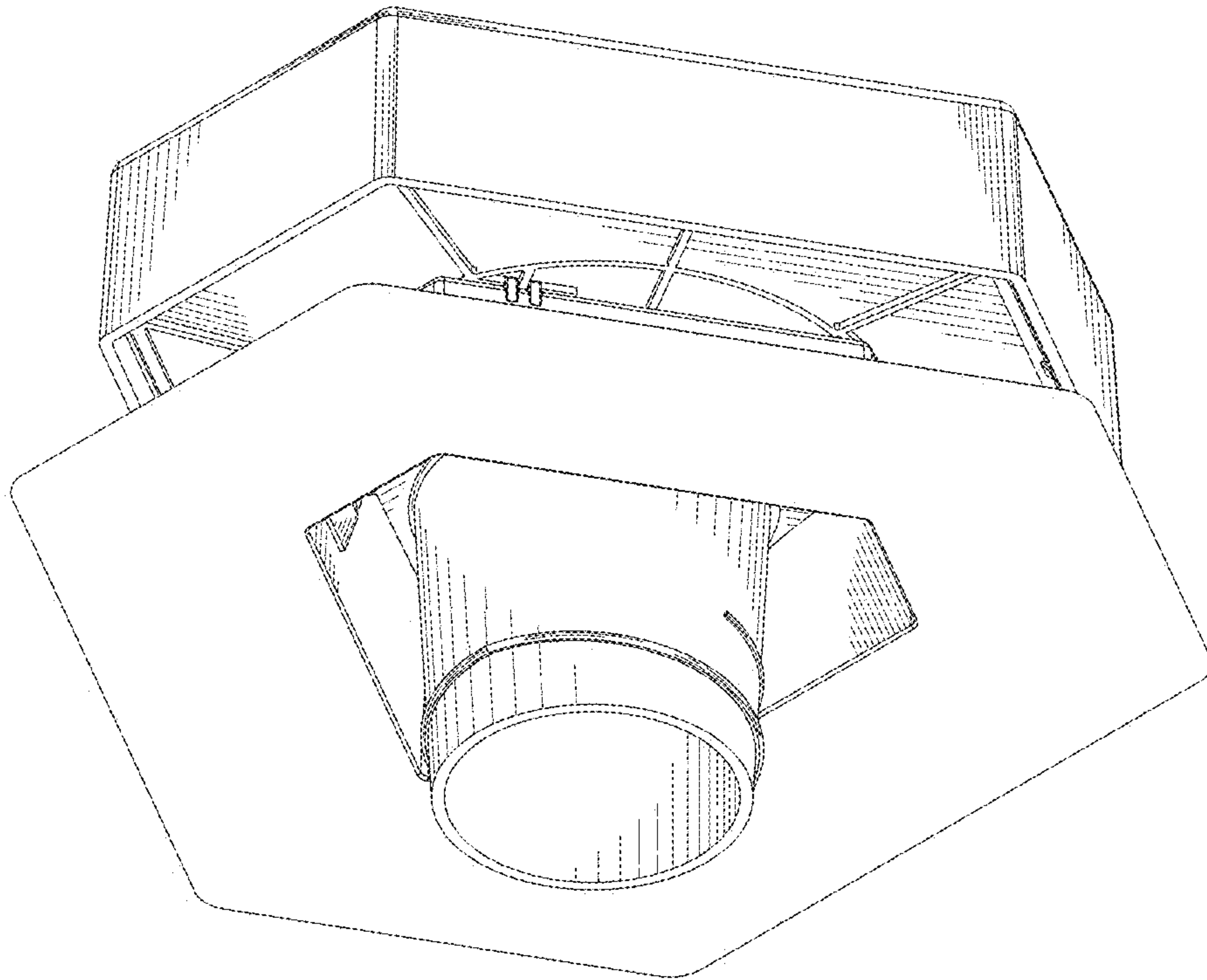


FIG. 7

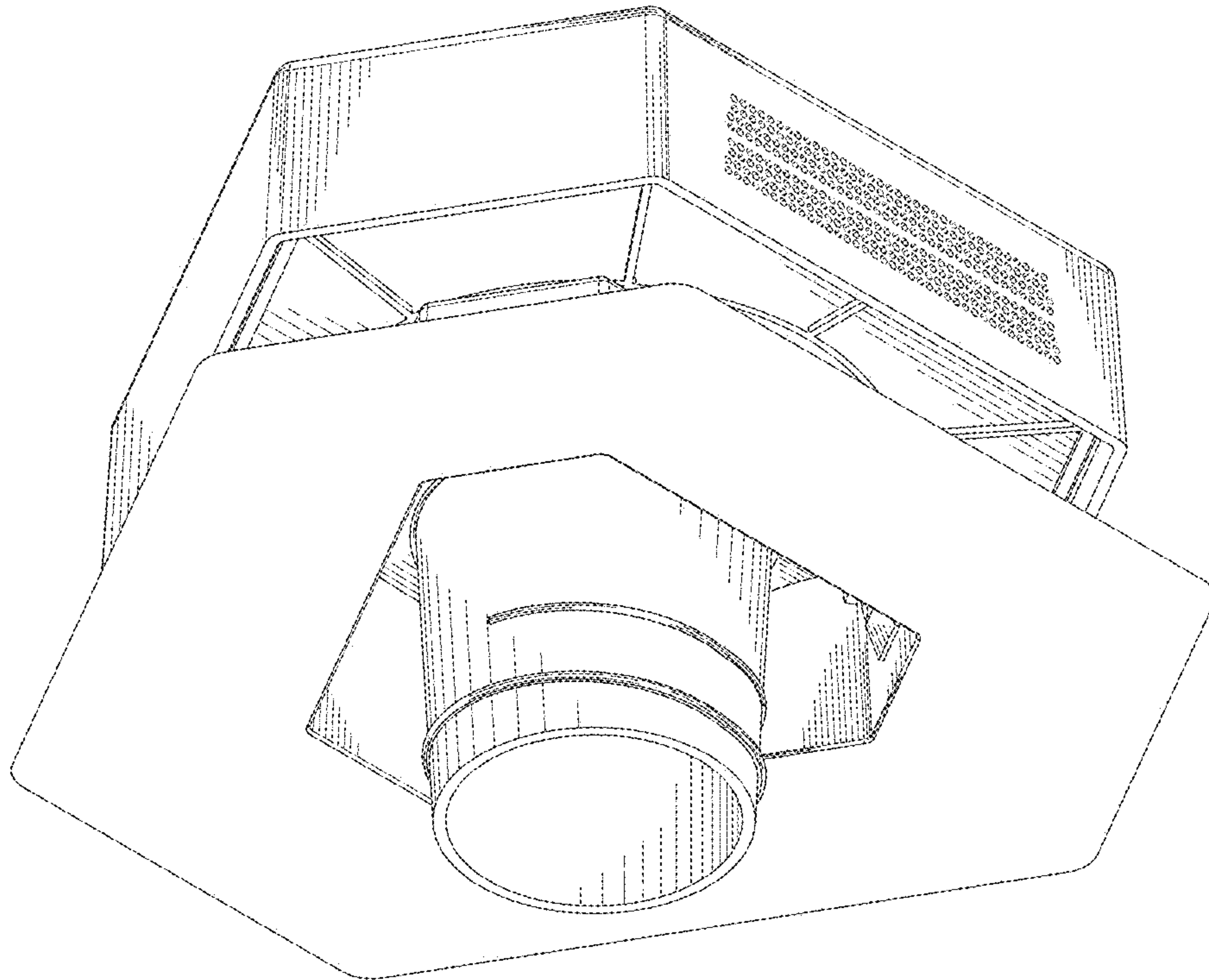


FIG. 8